



US00D952138S

(12) **United States Design Patent** (10) **Patent No.:** **US D952,138 S**
Park (45) **Date of Patent:** **** May 17, 2022**

(54) **EYE MOISTURIZER HAVING ASYMMETRIC WATER CONTAINERS**

(71) Applicant: **Min Gyu Park**, Busan (KR)

(72) Inventor: **Min Gyu Park**, Busan (KR)

(**) Term: **15 Years**

(21) Appl. No.: **29/748,145**

(22) Filed: **Aug. 27, 2020**

(51) **LOC (13) Cl.** **24-02**

(52) **U.S. Cl.**
USPC **D24/120**

(58) **Field of Classification Search**

USPC D24/107, 108, 110, 110.4–110.6,
D24/111–115, 117–122, 123, 130, 133,
D24/141, 152, 186, 215, 166, 206–208,
D24/200, 172, 190–192, 157, 160;
D28/7–8; D7/667, 669, 700, 523;
D34/1; D19/73; D23/200; D11/152–154
CPC A61F 9/0008; A61F 9/0026; A61F
2230/0091; A61F 2250/0004; A61H
35/02; A61H 2201/0153; A61M 35/003;
A61M 35/00; A61M 2210/0612; B65D
47/18; B65D 83/30; B65D 2543/00083;
B65D 2543/00305; B65D 2543/00509;
B65D 2543/00648; B65D 2543/00842;
B65D 43/0206; B65D 43/0208; B01L
3/0282; A45C 11/005; A45C 11/046;
Y10S 206/828

See application file for complete search history.

(56) **References Cited**

U.S. PATENT DOCUMENTS

5,382,243 A * 1/1995 Mulholland A61F 9/0026
222/36
D852,351 S * 6/2019 Alvino D24/120
D882,767 S * 4/2020 Park D24/120
10,821,052 B1 * 11/2020 Park A61H 33/12
2021/0030593 A1 * 2/2021 Kellogg A61F 9/029

OTHER PUBLICATIONS

Fancyleo Eye Flush Cups, first available Dec. 14, 2019, walmart.co, [online], [site visited Oct. 8, 2021], Available from internet URL: <https://www.walmart.com/ip/Fancyleo-Eye-Flush-Cups-First-Aid-Wash-Bath-Plastic-Cups-Qty2-Sterile-Eye-Flush-Cleaning-Cups-Vials-for-Storage-or-First-Aid-Kit-Use> (Year: 2019).*

* cited by examiner

Primary Examiner — Samantha Q Lawrence

Assistant Examiner — Holly M Rodriguez

(74) *Attorney, Agent, or Firm* — IPLA P.A.

(57) **CLAIM**

The ornamental design for an eye moisturizer having asymmetric water containers, as shown and described.

DESCRIPTION

FIG. 1 is a perspective view of my new design showing an eye moisturizer having asymmetric water containers;
FIG. 2 is a top plan view thereof;
FIG. 3 is a front elevation view thereof;
FIG. 4 is a rear elevation view thereof;
FIG. 5 is a left side elevation view thereof; and,
FIG. 6 is a right side elevation view thereof.

1 Claim, 3 Drawing Sheets

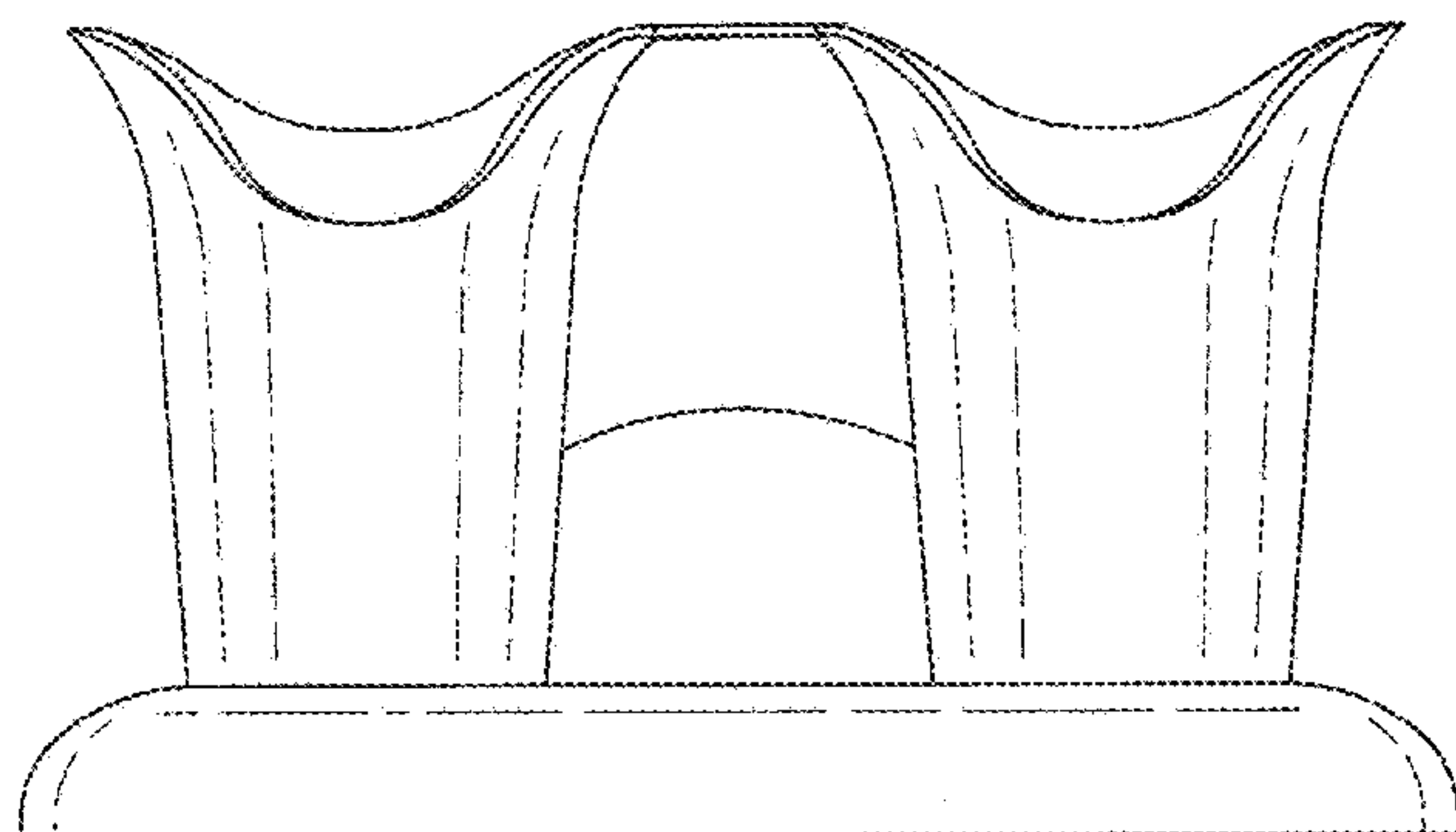
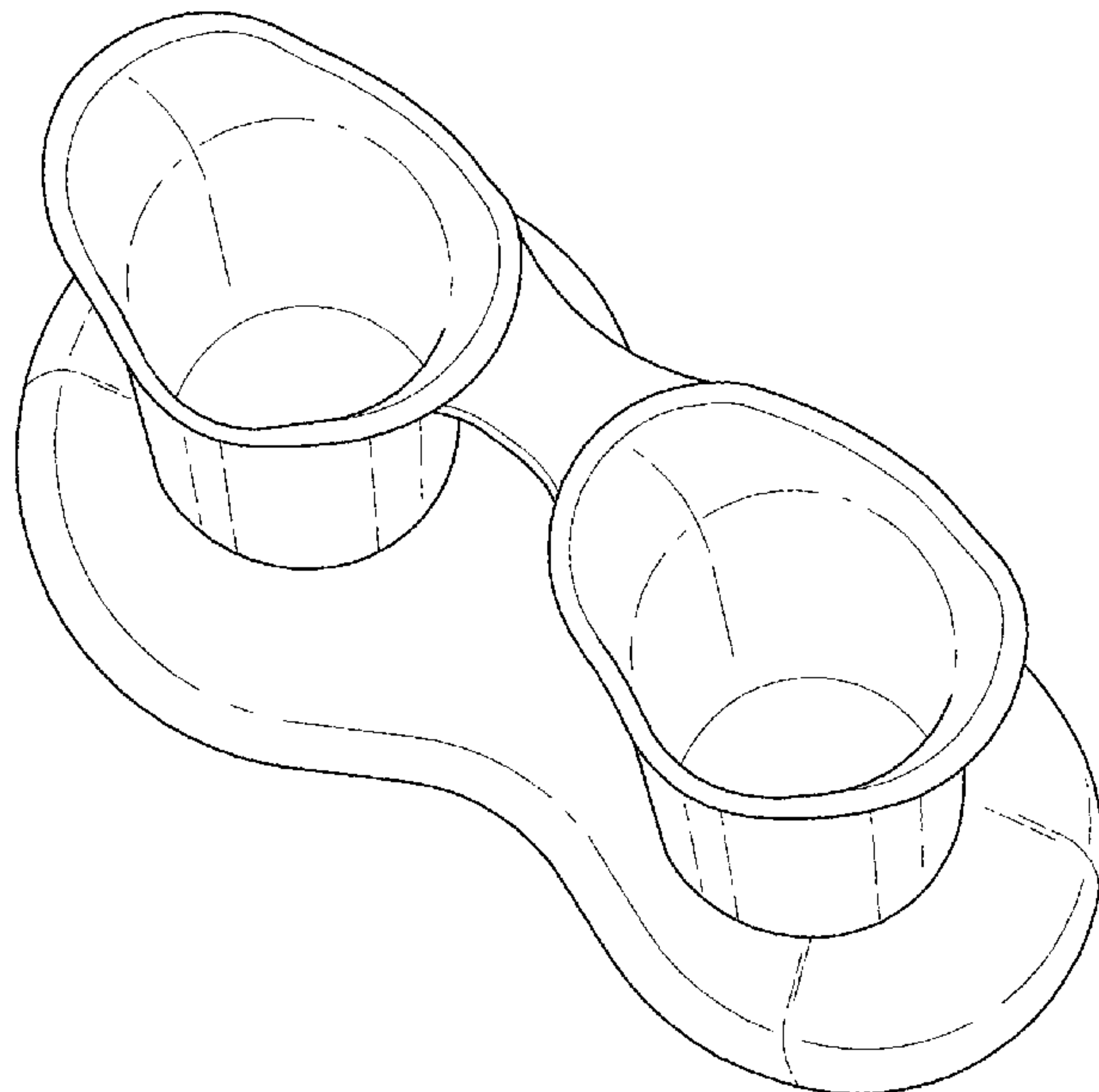


FIG. 1

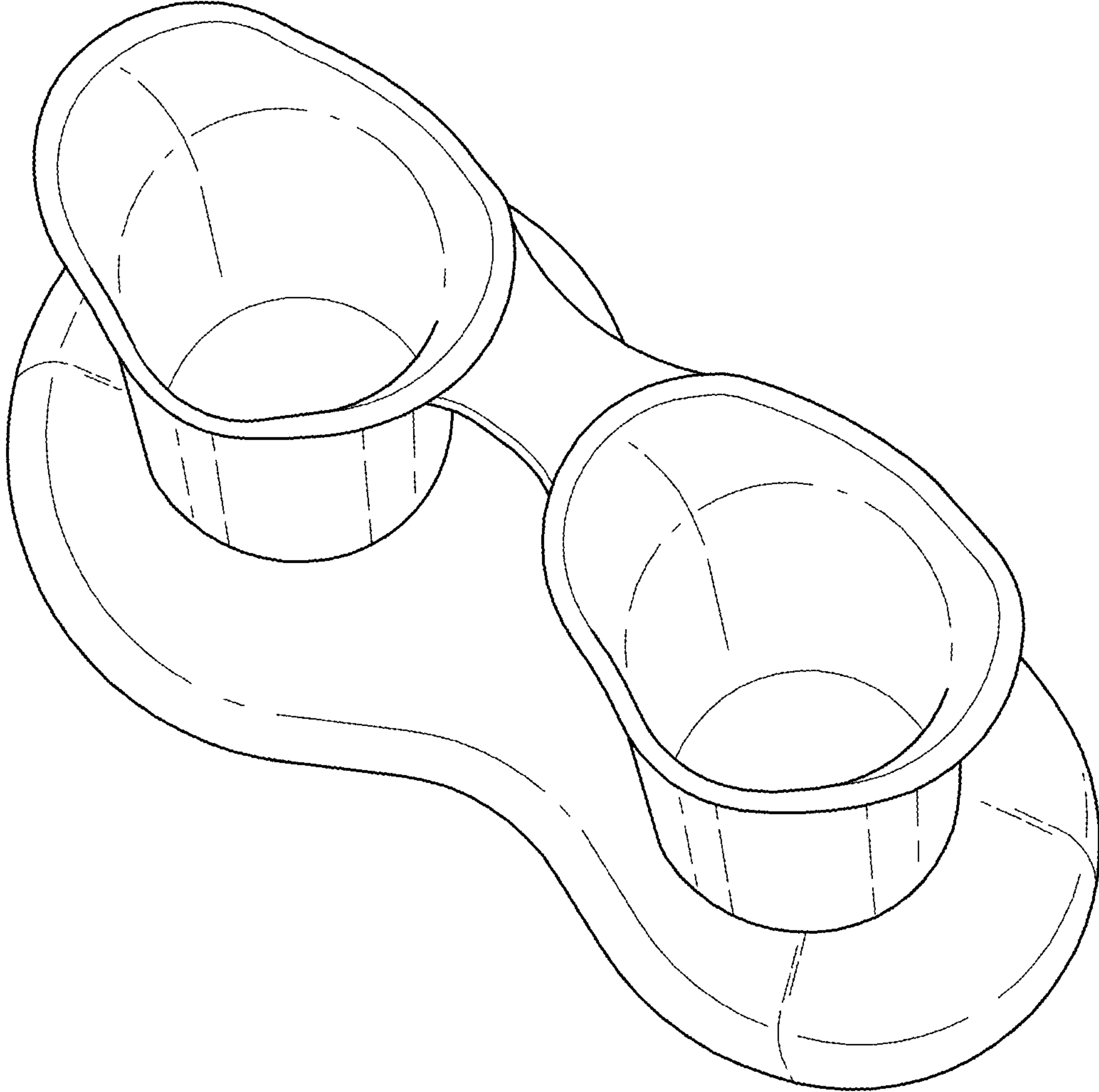


FIG. 2

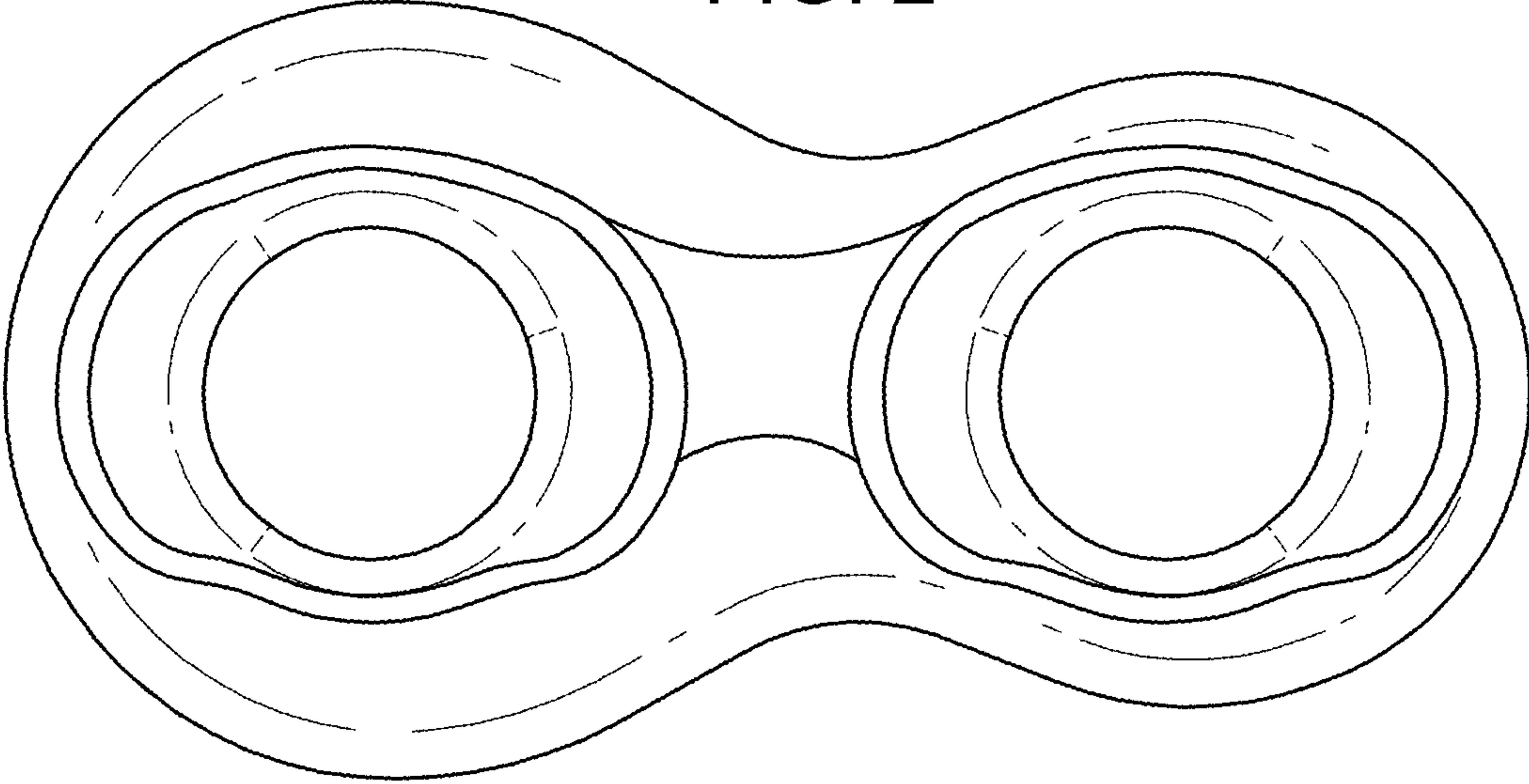


FIG. 3

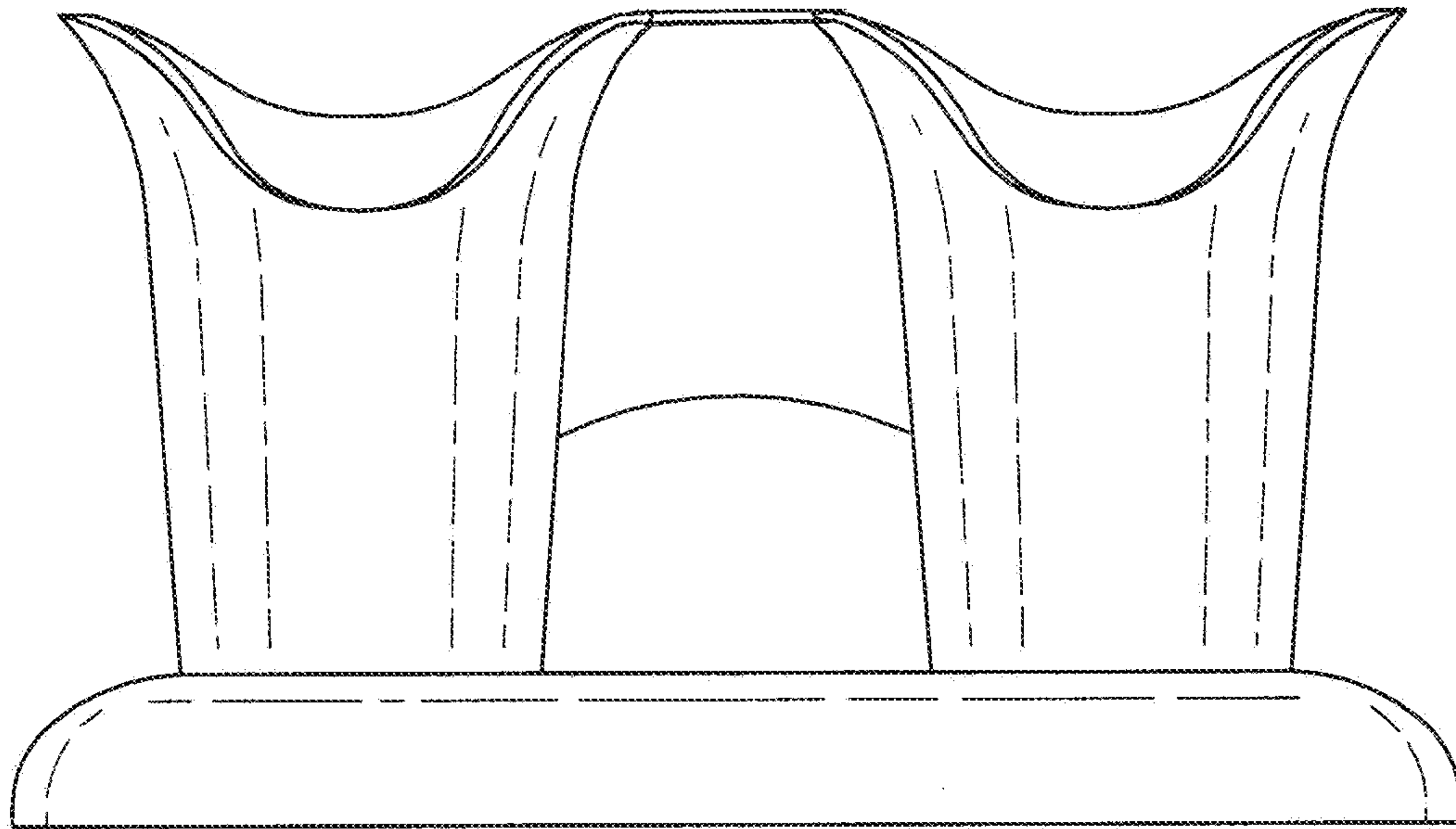


FIG. 4

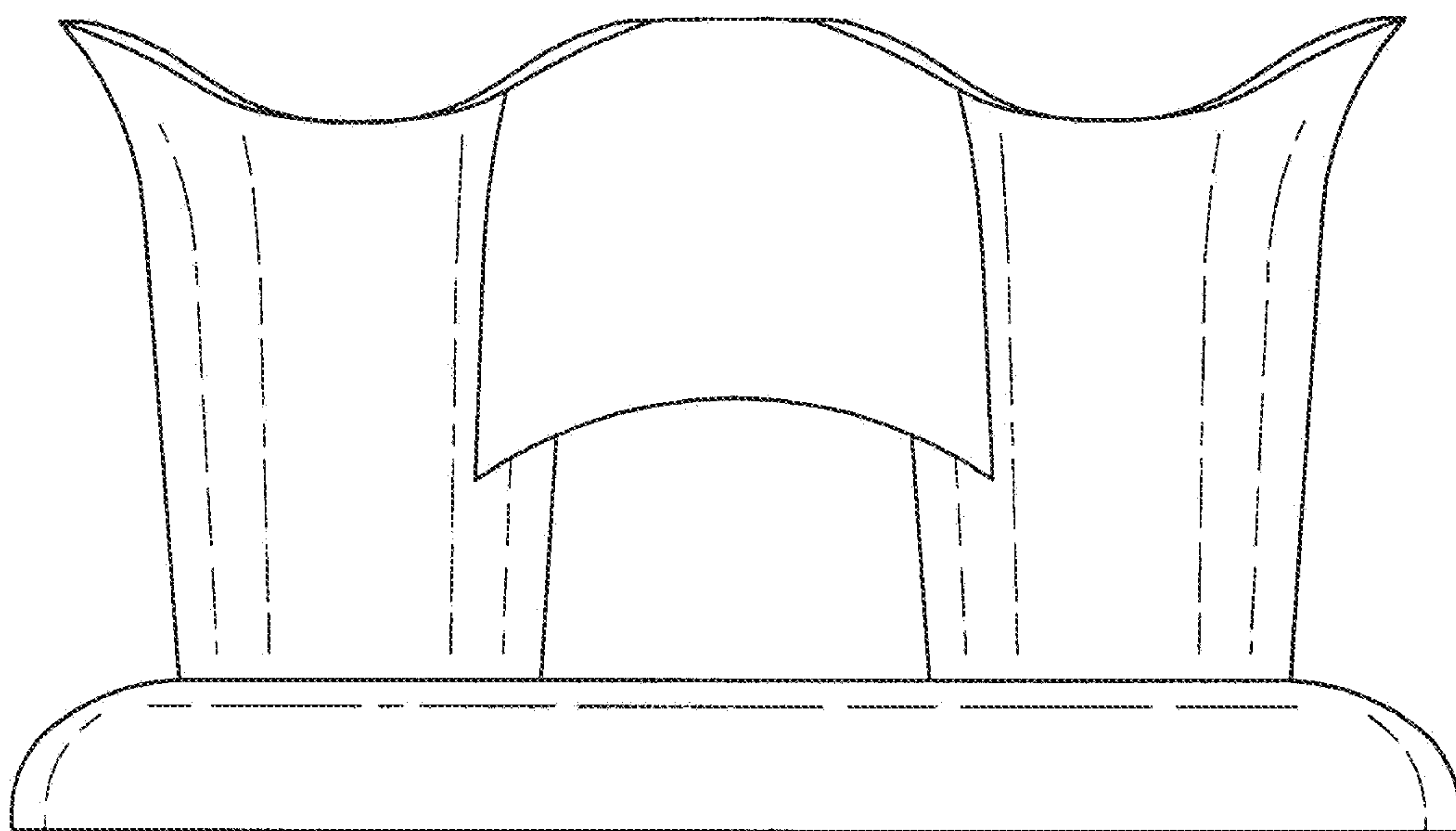


FIG. 5

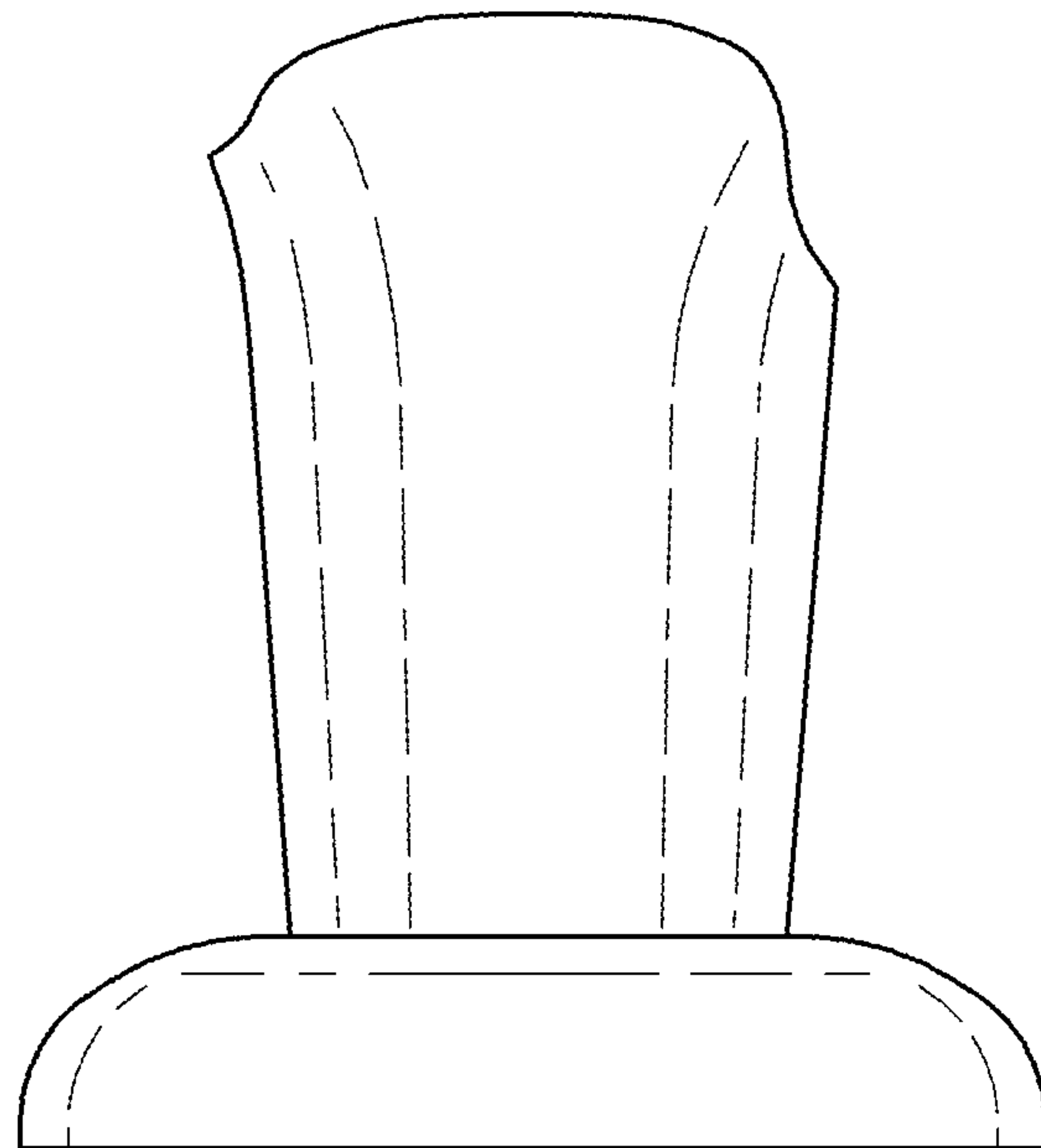


FIG. 6

