



US00D952137S

(12) **United States Design Patent** (10) **Patent No.:** **US D952,137 S**
Chandrapati et al. (45) **Date of Patent:** **** May 17, 2022**

(54) **SWAB HANDLE**

(56) **References Cited**

(71) Applicant: **3M INNOVATIVE PROPERTIES COMPANY**, St. Paul, MN (US)
(72) Inventors: **Sailaja Chandrapati**, Woodbury, MN (US); **Berenice Francoise Anne Marie Plessis**, St. Paul, MN (US); **Elliott J. Zell**, Minneapolis, MN (US); **Adam J. Stanenas**, Cottage Grove, MN (US); **Rocio Foncea**, Woodbury, MN (US); **Samuel E. Beseres**, Minneapolis, MN (US); **Lloyd S. Vasilakes**, Stillwater, MN (US)

U.S. PATENT DOCUMENTS

6,383,804	B1	5/2002	Ward, Jr.	
8,127,627	B2	3/2012	Ward	
D673,265	S *	12/2012	Nonnemacher	D24/119
8,882,736	B2 *	11/2014	Oliver	B65D 1/095 604/416
D777,909	S *	1/2017	Dombrowski	D24/119
9,925,647	B2	3/2018	Lafond	
D875,965	S *	2/2020	Gani	D24/223
D876,626	S *	2/2020	Scimone	D24/147
10,548,376	B2 *	2/2020	Reil	A61B 17/00
D898,911	S *	10/2020	Beer	D24/141
10,798,999	B2 *	10/2020	Reil	A44C 7/001
D905,232	S *	12/2020	Schifano	D24/112
D919,087	S *	5/2021	Schifano	D24/135
D922,568	S *	6/2021	Schifano	D24/113
D945,618	S *	3/2022	Ramon Martinez	D28/8

(73) Assignee: **3M INNOVATIVE PROPERTIES COMPANY**, St. Paul, MN (US)

(**) Term: **15 Years**

* cited by examiner

(21) Appl. No.: **29/754,643**

Primary Examiner — Samantha Q Lawrence

(22) Filed: **Oct. 13, 2020**

(74) Attorney, Agent, or Firm — 3M IPC

(51) **LOC (13) Cl.** **24-02**

(57) **CLAIM**

(52) **U.S. Cl.**
USPC **D24/119**

The ornamental design for a swab handle, as shown and described.

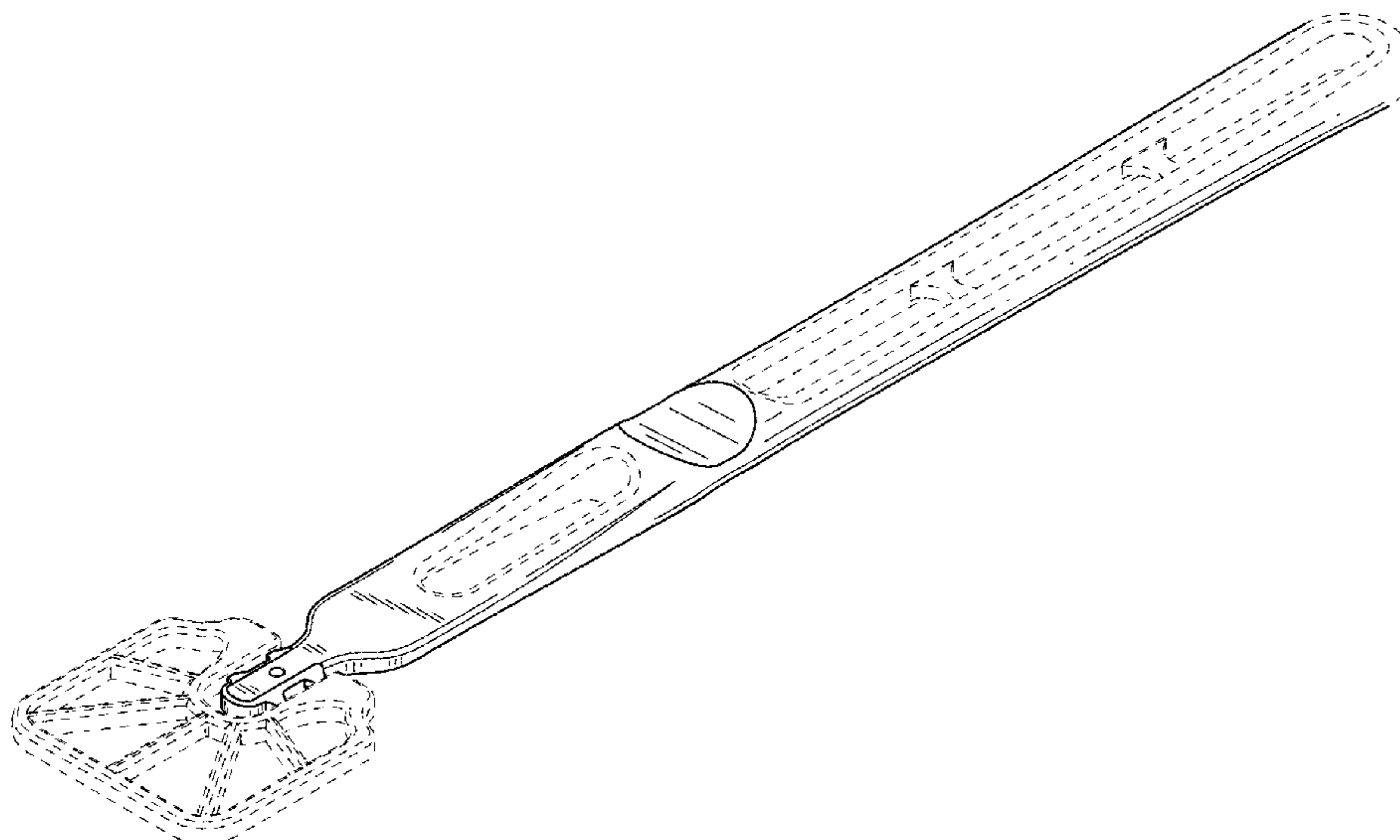
(58) **Field of Classification Search**
USPC D24/100, 105, 107, 108, 110, 111, 112, D24/113, 114, 115, 116, 117, 118, 119, D24/140, 141, 144, 146, 147, 223, 224, D24/228, 133, 184, 186, 200, 214; D28/7
CPC A61F 11/006; A61F 13/38; A61F 13/15; A61F 13/64; A61F 13/467; A61F 13/5611; A61F 13/4704; A61F 13/5616; A61F 13/4758; A61F 13/472; A61B 2017/246; A61B 17/1615; A61B 17/1697; A61B 2018/0231; A61B 18/2018; A61M 2210/0662; A61C 19/04; B01L 2300/0825; B01L 3/5023; B01L 3/5209; C12M 1/30; G01N 33/5302

DESCRIPTION

FIG. 1 is a perspective view showing the new design for a swab handle;
FIG. 2 is a top view thereof;
FIG. 3 is a bottom view thereof;
FIG. 4 is a right side view thereof;
FIG. 5 is a left side view thereof;
FIG. 6 is a front view thereof; and,
FIG. 7 is a rear view thereof.
The portions of the swab handle in FIGS. 1-8 shown in broken lines are included to show features that form no part of the claimed design.

See application file for complete search history.

1 Claim, 3 Drawing Sheets



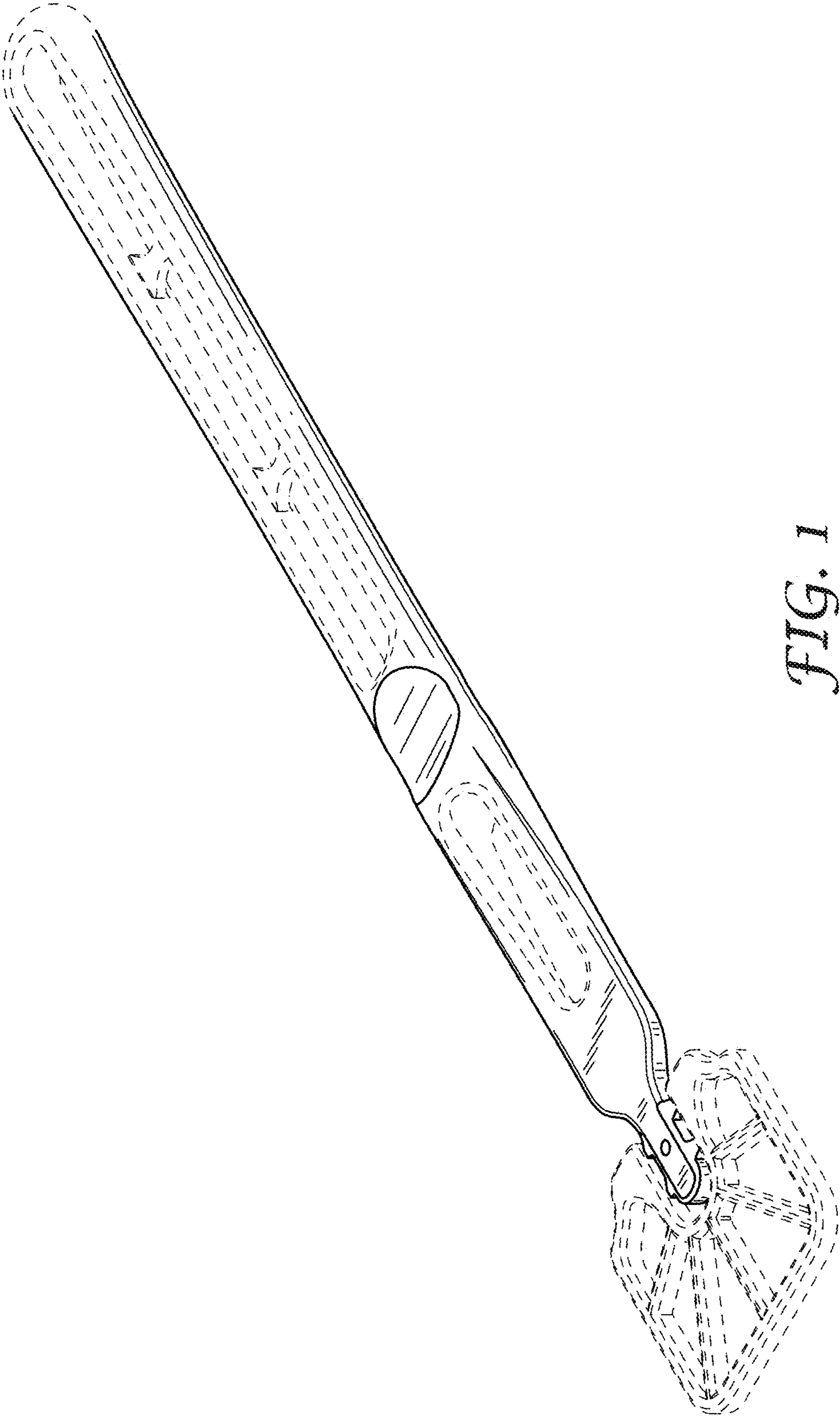


FIG. 1

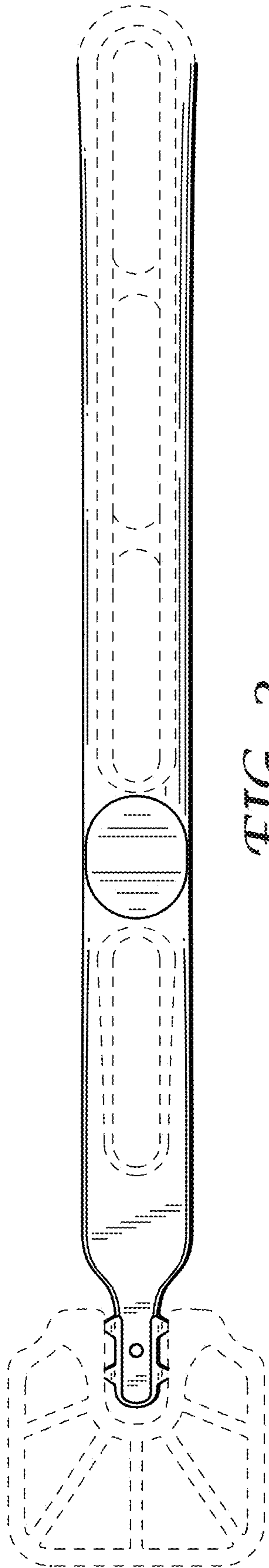


FIG. 2

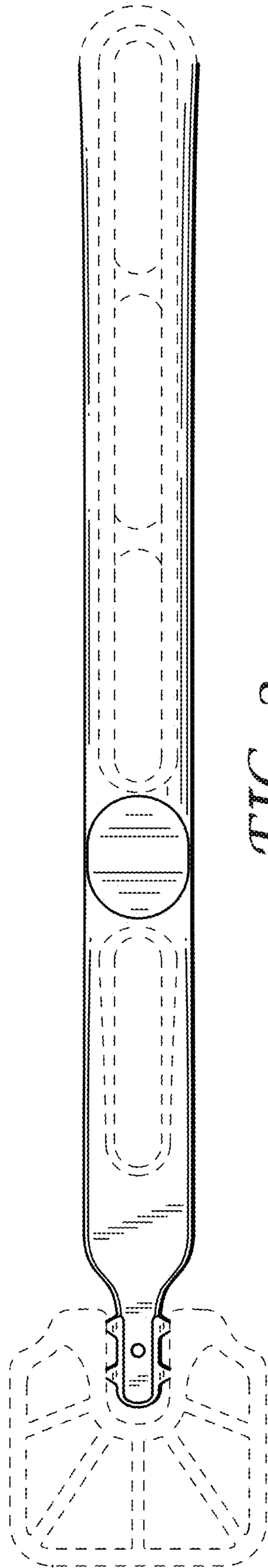


FIG. 3

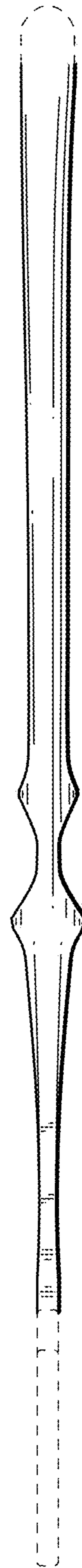


FIG. 4

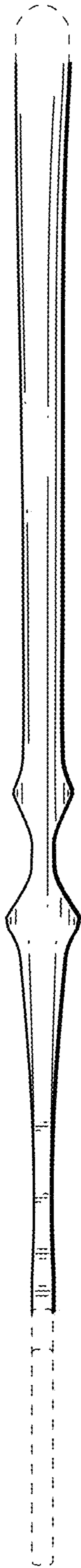


FIG. 5

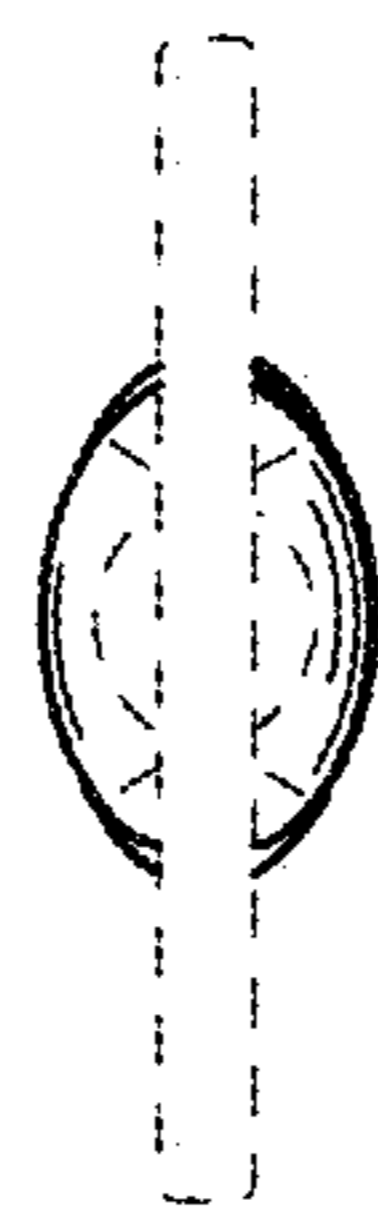


FIG. 6



FIG. 7