

US00D952136S

(12) **United States Design Patent** (10) **Patent No.:** **US D952,136 S**  
**Shabudin et al.** (45) **Date of Patent:** **\*\* May 17, 2022**

(54) **SYRINGE**  
(71) Applicant: **Owen Mumford Limited**, Woodstock (GB)  
(72) Inventors: **Tahir Shabudin**, Woodstock (GB); **Matthew David Farmer**, Woodstock (GB)

D247,025 S 1/1978 Cherry  
D251,480 S 4/1979 Cherry  
D258,050 S 1/1981 Cornou  
D281,383 S 11/1985 Beach  
D292,634 S 11/1987 Chabot  
4,917,243 A 4/1990 Abrams et al.  
(Continued)

FOREIGN PATENT DOCUMENTS

(73) Assignee: **Owen Mumford Limited**, Oxford (GB)  
(\*\*) Term: **15 Years**

AU 201710789 S 3/2017  
AU 201710790 S 3/2017  
(Continued)

(21) Appl. No.: **29/717,062**

OTHER PUBLICATIONS

(22) Filed: **Dec. 13, 2019**

U.K. Office Action, dated Mar. 9, 2015, in corresponding U.K. Patent Application No. GB1414911.6.  
(Continued)

(30) **Foreign Application Priority Data**

Jun. 14, 2019 (EM) ..... 006578373-0001  
(51) **LOC (13) Cl.** ..... **24-02**  
(52) **U.S. Cl.**  
USPC ..... **D24/114**  
(58) **Field of Classification Search**  
USPC ..... D24/112-114, 108, 130, 127, 133, 186;  
606/181, 185; 604/264, 523-528, 272,  
604/164.01-164.11, 187, 93.01; 600/101,  
600/139, 143; 128/200.24, 207.14,  
128/207.15  
CPC ..... A61M 25/00; A61M 39/00; A61M 27/00;  
A61M 25/0043; A61M 25/0067; A61M  
25/0097; A61F 2/958  
See application file for complete search history.

*Primary Examiner* — David G Muller  
(74) *Attorney, Agent, or Firm* — Quarles & Brady LLP

(57) **CLAIM**

The ornamental design for a syringe, as shown and described.

**DESCRIPTION**

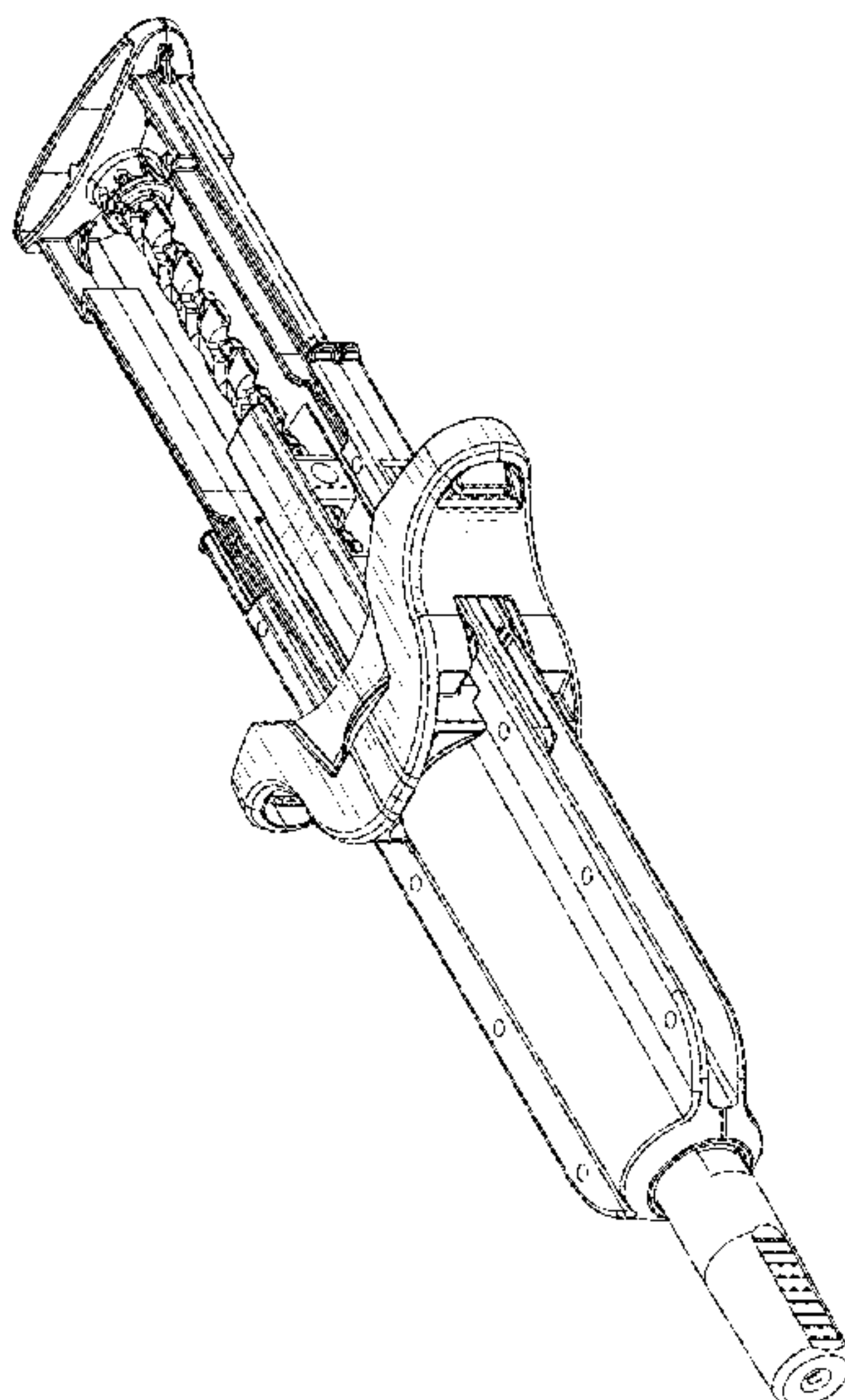
FIG. 1 is an isometric view of a bottom, rear, and right side of an ornamental design for a syringe;  
FIG. 2 is an isometric view of a top, front, and left side of the syringe of FIG. 1;  
FIG. 3 is a front elevational view of the syringe of FIG. 1;  
FIG. 4 is a rear elevational view of the syringe of FIG. 1;  
FIG. 5 is a right side elevational view of the syringe of FIG. 1;  
FIG. 6 is a left side elevational view of the syringe of FIG. 1;  
FIG. 7 is a top plan view of the syringe of FIG. 1; and,  
FIG. 8 is a bottom plan view of the syringe of FIG. 1.

**1 Claim, 7 Drawing Sheets**

(56) **References Cited**

U.S. PATENT DOCUMENTS

2,916,161 A 12/1959 Schaefer  
3,020,395 A 2/1962 Peltz  
D227,191 S 6/1973 Cape  
D233,021 S 10/1974 Chavez  
4,011,857 A 3/1977 Rice



(56)

References Cited

U.S. PATENT DOCUMENTS

D315,424 S 3/1991 Claytor  
 D315,805 S 3/1991 Claytor et al.  
 D315,808 S 3/1991 Claytor et al.  
 D317,070 S 5/1991 Ott et al.  
 5,046,612 A 9/1991 Mostarda et al.  
 D322,211 S 12/1991 Gary  
 5,104,380 A 4/1992 Holman et al.  
 D327,214 S 6/1992 Stuart  
 D327,321 S 6/1992 Russell et al.  
 D331,126 S 11/1992 Claytor  
 5,242,421 A 9/1993 Chan  
 D340,311 S 10/1993 Claytor  
 D340,312 S 10/1993 Claytor  
 5,350,367 A 9/1994 Stiehl et al.  
 5,370,628 A 12/1994 Allison et al.  
 5,439,453 A 8/1995 Kashanchi  
 D362,064 S 9/1995 Smick  
 5,472,433 A 12/1995 Suzuki  
 5,527,296 A 6/1996 Kashanchi  
 5,611,809 A 3/1997 Marshall et al.  
 D383,606 S 9/1997 Bourbonnais  
 D421,214 S 2/2000 Koros et al.  
 D446,107 S 8/2001 Carter  
 D448,844 S 10/2001 Reis  
 D449,379 S 10/2001 Fuhr  
 6,425,885 B1 7/2002 Fischer et al.  
 6,461,333 B1 10/2002 Frezza  
 D470,391 S 2/2003 Adams  
 6,692,463 B1 2/2004 Marteau et al.  
 6,755,805 B1 6/2004 Reid  
 D496,101 S 9/2004 Davison  
 D505,200 S 5/2005 Simpson et al.  
 D516,218 S 2/2006 Larocca  
 7,004,930 B2 2/2006 Marshall  
 D529,792 S 10/2006 Klein et al.  
 7,223,259 B2 5/2007 Marshall et al.  
 D553,737 S 10/2007 Rolfe  
 7,462,168 B2 12/2008 Stonehouse et al.  
 7,465,289 B2 12/2008 Marshall  
 D585,154 S 1/2009 Ryder  
 7,488,307 B2 2/2009 Rimlinger et al.  
 7,540,858 B2 6/2009 DiBiasi  
 7,591,805 B2\* 9/2009 Lampropoulos ..... A61M 5/14  
 604/187  
 7,699,814 B2 4/2010 Lande  
 8,088,111 B2 1/2012 Cowe  
 D669,579 S 10/2012 Marshall et al.  
 8,343,109 B2 1/2013 Marshall et al.  
 8,425,460 B2 4/2013 Cowe  
 8,491,535 B2 7/2013 Limaye  
 8,632,503 B2 1/2014 Ruan et al.  
 8,801,673 B2 8/2014 Zaiken et al.  
 8,840,590 B2 9/2014 Richards et al.  
 8,858,510 B2 10/2014 Karlsson  
 8,876,781 B2 11/2014 Karlsson et al.  
 D719,255 S 12/2014 Ohashi  
 D719,256 S 12/2014 Ohashi  
 D721,803 S 1/2015 Dubach  
 8,932,254 B2 1/2015 Eaton  
 D722,160 S 2/2015 Armstrong  
 8,998,855 B2 4/2015 Hudson et al.  
 D732,660 S 6/2015 Ohashi  
 9,078,983 B2 7/2015 Herr  
 D739,933 S 9/2015 Ettlin  
 D740,410 S 10/2015 Korkuch et al.  
 9,199,041 B2 12/2015 Edginton  
 9,238,111 B2 1/2016 Marshall et al.  
 9,272,100 B2 3/2016 Herr  
 D765,241 S 8/2016 Holland  
 9,545,484 B2 1/2017 Bicknell et al.  
 9,623,194 B2 4/2017 Srinivasan et al.  
 9,649,452 B2 5/2017 Srinivasan et al.  
 D802,752 S\* 11/2017 Holland ..... D24/114  
 D802,753 S\* 11/2017 Holland ..... D24/114  
 D803,393 S 11/2017 Holland

9,950,139 B2\* 4/2018 Blanchard ..... A61M 25/09041  
 10,022,505 B2 7/2018 Hu  
 D847,981 S 5/2019 Calvert et al.  
 10,426,898 B2 10/2019 Cowe et al.  
 D866,753 S\* 11/2019 Mandaroux ..... D24/114  
 10,518,045 B2 12/2019 Calvert  
 10,532,164 B2 1/2020 Calvert  
 10,682,475 B2 6/2020 Evans  
 10,695,507 B2 6/2020 Evans et al.  
 D891,611 S\* 7/2020 Valentin ..... D24/114  
 D914,208 S\* 3/2021 Shabudin ..... D24/130  
 D915,579 S\* 4/2021 Anderson ..... D24/113  
 2007/0299394 A1 12/2007 Rolfe et al.  
 2014/0288506 A1 9/2014 Mumford et al.  
 2016/0303331 A1 10/2016 Evans et al.  
 2016/0354553 A1 12/2016 Anderson et al.  
 2017/0326309 A1 11/2017 Calvert  
 2018/0043110 A1 2/2018 Holland  
 2018/0147361 A1 5/2018 Holland  
 2018/0289899 A1 10/2018 Gould  
 2019/0001072 A1 1/2019 Holland  
 2019/0030258 A1 1/2019 Crossman et al.  
 2019/0224421 A1 7/2019 Holland  
 2020/0061304 A1 2/2020 Cowe et al.  
 2020/0086062 A1 3/2020 Calvert et al.  
 2020/0230326 A1 7/2020 Calvert  
 2020/0238008 A1 7/2020 Holland

FOREIGN PATENT DOCUMENTS

AU 201710791 S 3/2017  
 CN 101287512 B 12/2011  
 CN 303409958 S 10/2015  
 CN 303703710 S 6/2016  
 CN 303703711 S 6/2016  
 CN 303890300 S 10/2016  
 CN 305880115 S 6/2020  
 DE 1766600 A1 7/1971  
 EM 0025380740001 S 4/2017  
 EM 0028174110001 8/2017  
 EM 0027062340001 11/2017  
 EM 0027062340002 11/2017  
 EM 0027062340003 11/2017  
 EM 0027062340004 11/2017  
 EM 0027062340005 11/2017  
 EM 0027062340006 11/2017  
 EM 0027062340007 11/2017  
 EM 0027062340008 11/2017  
 EP 0279583 B1 10/1993  
 EP 1079878 A1 3/2001  
 EP 1507566 A1 2/2005  
 EP 1628694 B1 7/2007  
 EP 2310072 A2 4/2011  
 EP 2015809 B1 11/2015  
 EP 3174582 B1 12/2015  
 EP 1919540 B1 5/2016  
 EP 1919541 B1 8/2016  
 EP 2419163 B1 10/2016  
 EP 2627384 B1 12/2016  
 EP 1744799 B1 6/2017  
 EP 2771049 B1 6/2017  
 EP 3405236 A1 11/2018  
 EP 3405233 B1 4/2020  
 EP 3345636 B1 5/2020  
 FR 2649893 A1 1/1991  
 FR 19970379001 S1 6/1997  
 GB 2465389 A 5/2010  
 GB 2469671 A 10/2010  
 GB 2472578 A 2/2011  
 GB 2486690 A 6/2012  
 GB 2492941 A 1/2013  
 GB 2507345 A 4/2014  
 GB 2560508 A 9/2018  
 IN 1435DELNP2008 A 8/2008  
 IN 1472DELNP2008 A 9/2008  
 IN 1576DELNP2011 A 12/2011  
 JP 2007534409 A 11/2007  
 JP 2016052579 A 4/2016  
 JP 1564636 S 12/2016



(56)

**References Cited**

FOREIGN PATENT DOCUMENTS

JP	1655381	S	3/2020
KR	300903918	S	4/2016
MX	49503	S	4/2016
RU	103646	S	4/2016
TW	D180966	S	1/2017
TW	202026023	A	7/2020
WO	1991008786	A1	6/1991
WO	1999007279	A1	2/1999
WO	2005102424	A1	11/2005
WO	2006124947	A1	11/2006
WO	2007099367	A1	9/2007
WO	2007132185	A1	11/2007
WO	2010119271	A1	10/2010
WO	2012049493	A1	4/2012
WO	2013061039	A1	5/2013
WO	2013088178	A1	6/2013
WO	2014167340	A1	10/2014
WO	2016026952	A1	2/2016
WO	2016181127	A1	11/2016
WO	2017141045	A1	8/2017
WO	2018060682	A1	4/2018
WO	2020065010	A1	4/2020

OTHER PUBLICATIONS

Autopen™, Owen Mumford Ltd. Of Woodstock. UK. One page  
(May 7, 2007) <http://www.owenmumford.com>.

\* cited by examiner

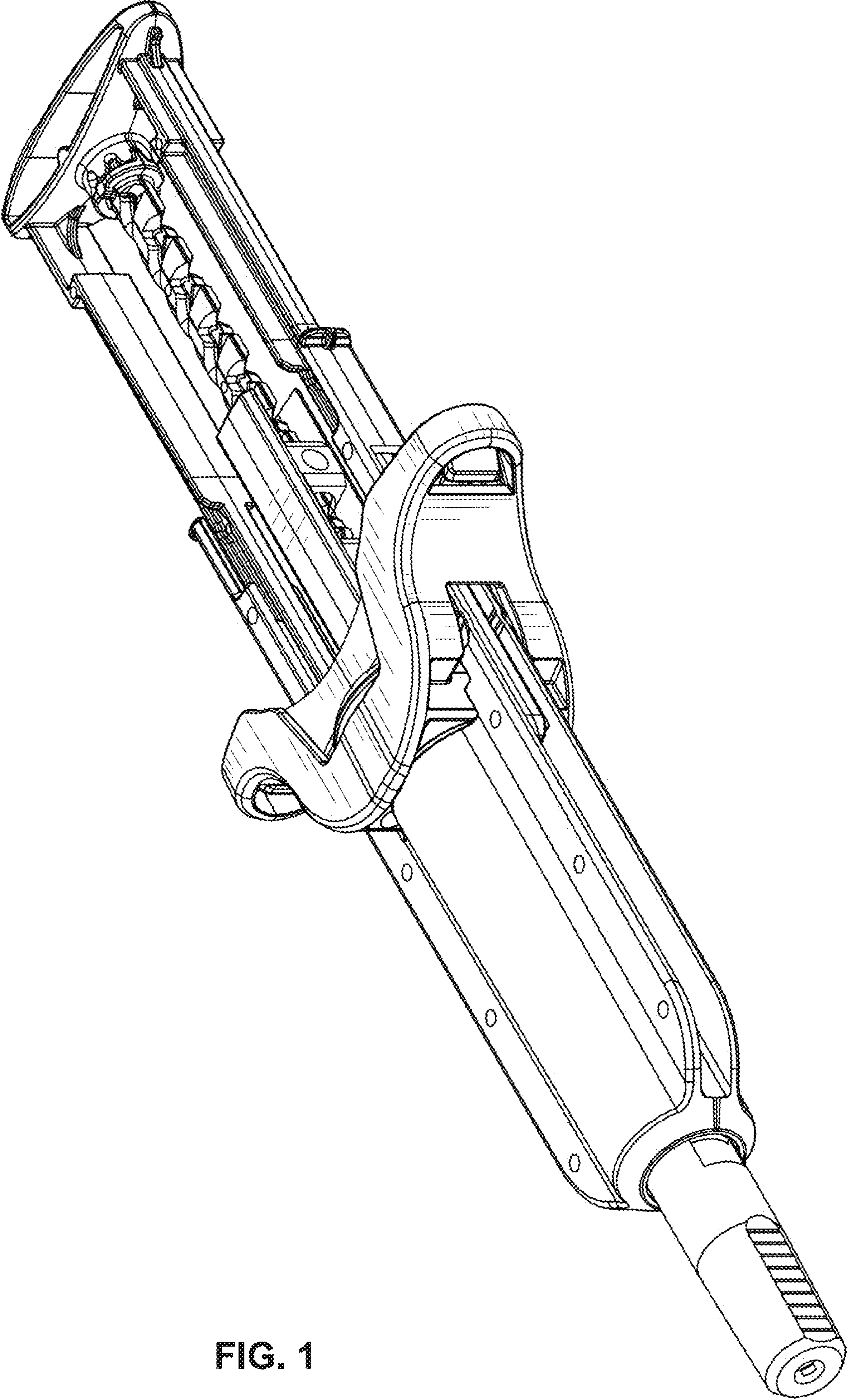


FIG. 1

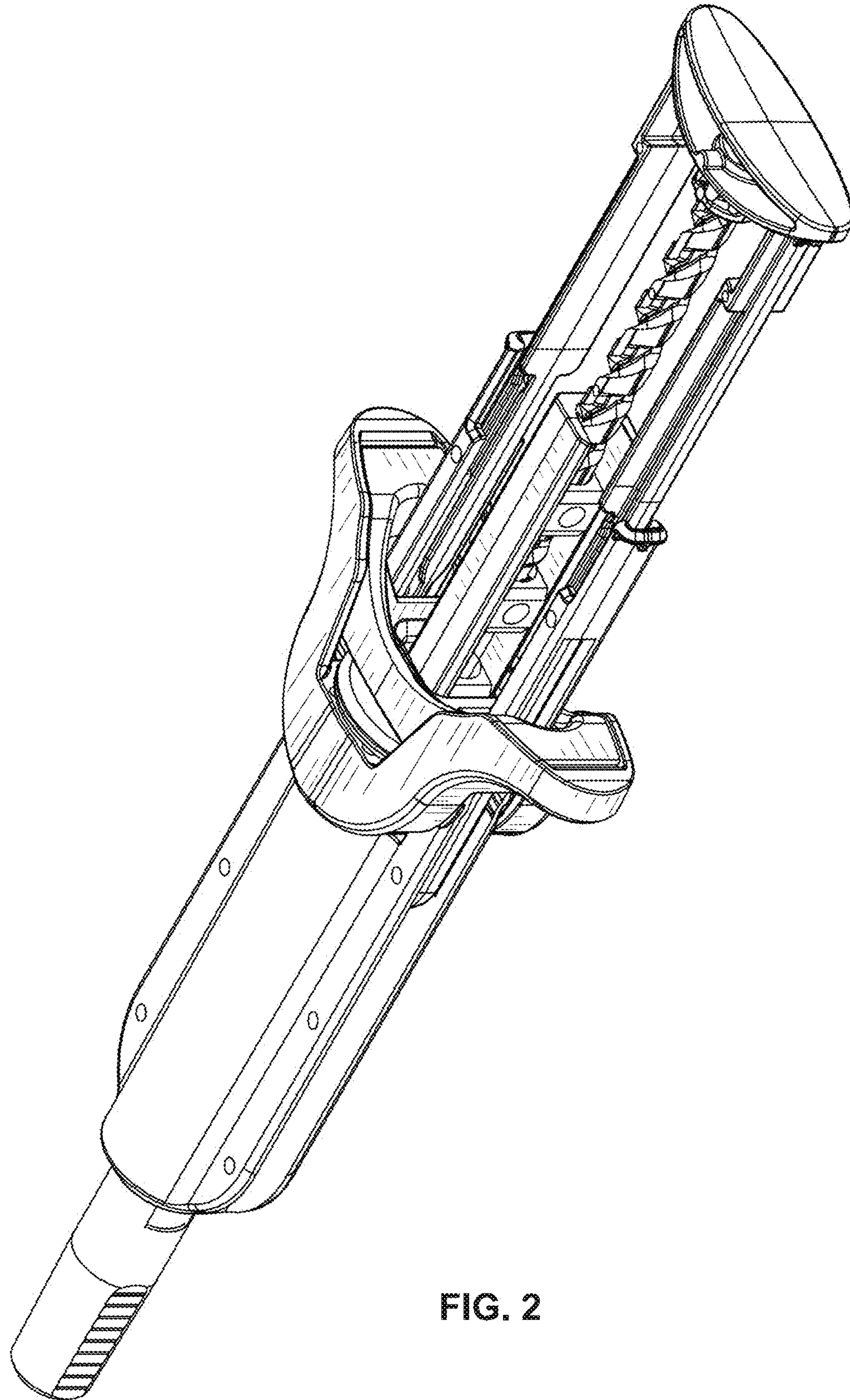


FIG. 2



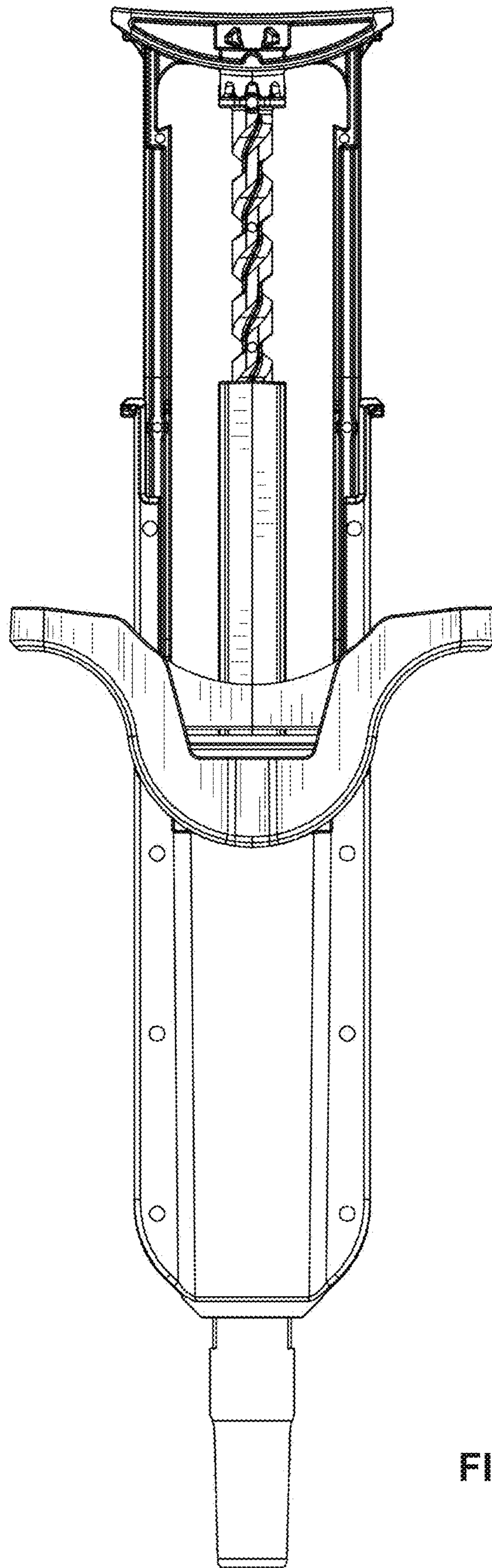


FIG. 3

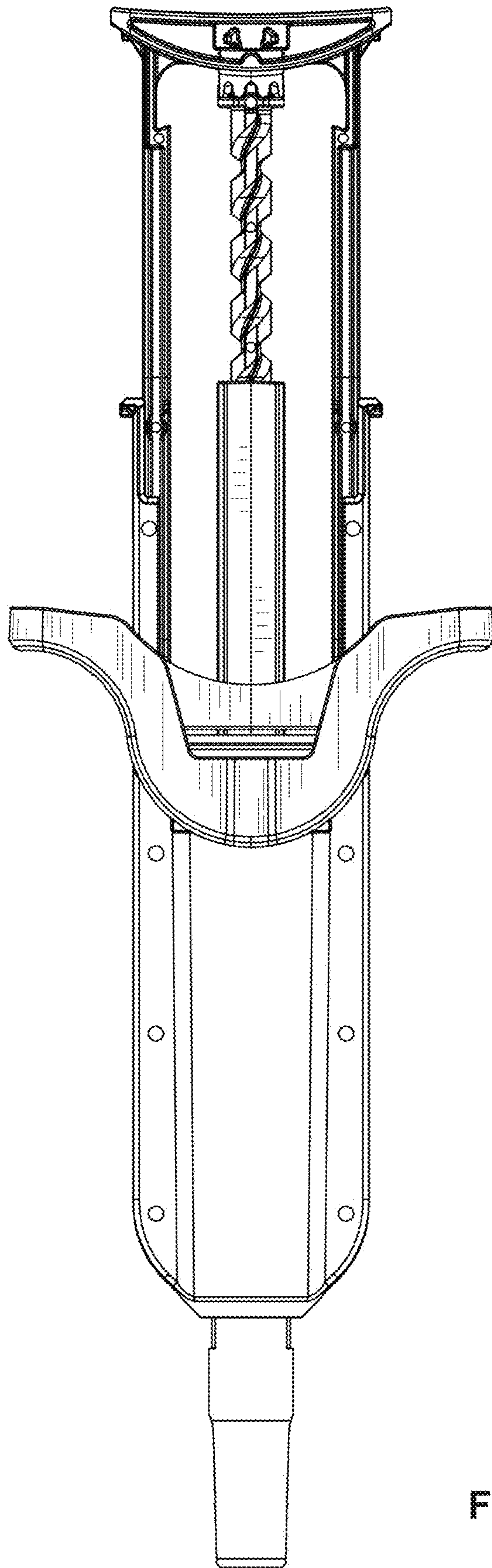


FIG. 4

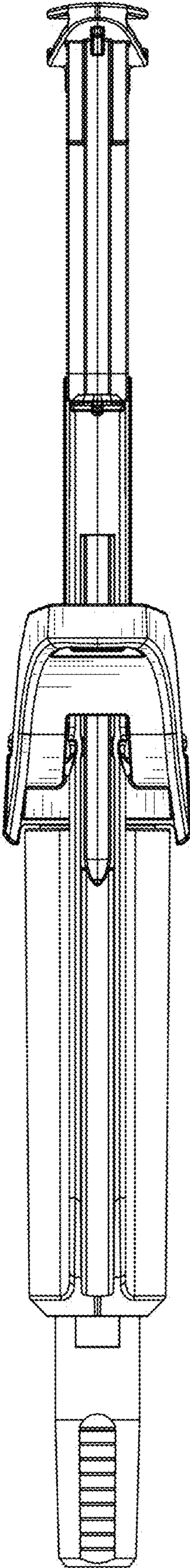


FIG. 5



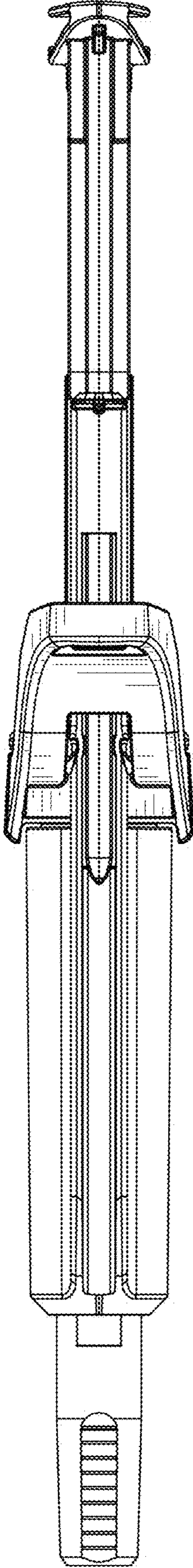


FIG. 6

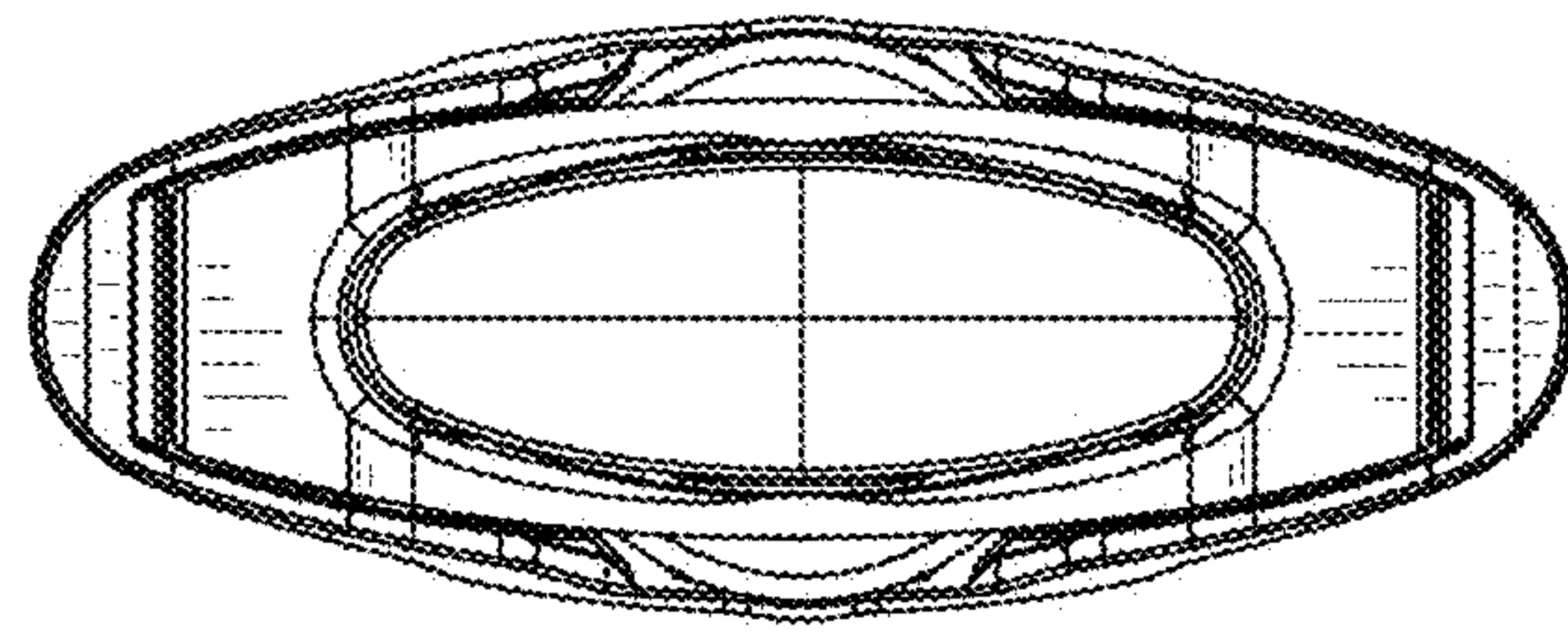


FIG. 7

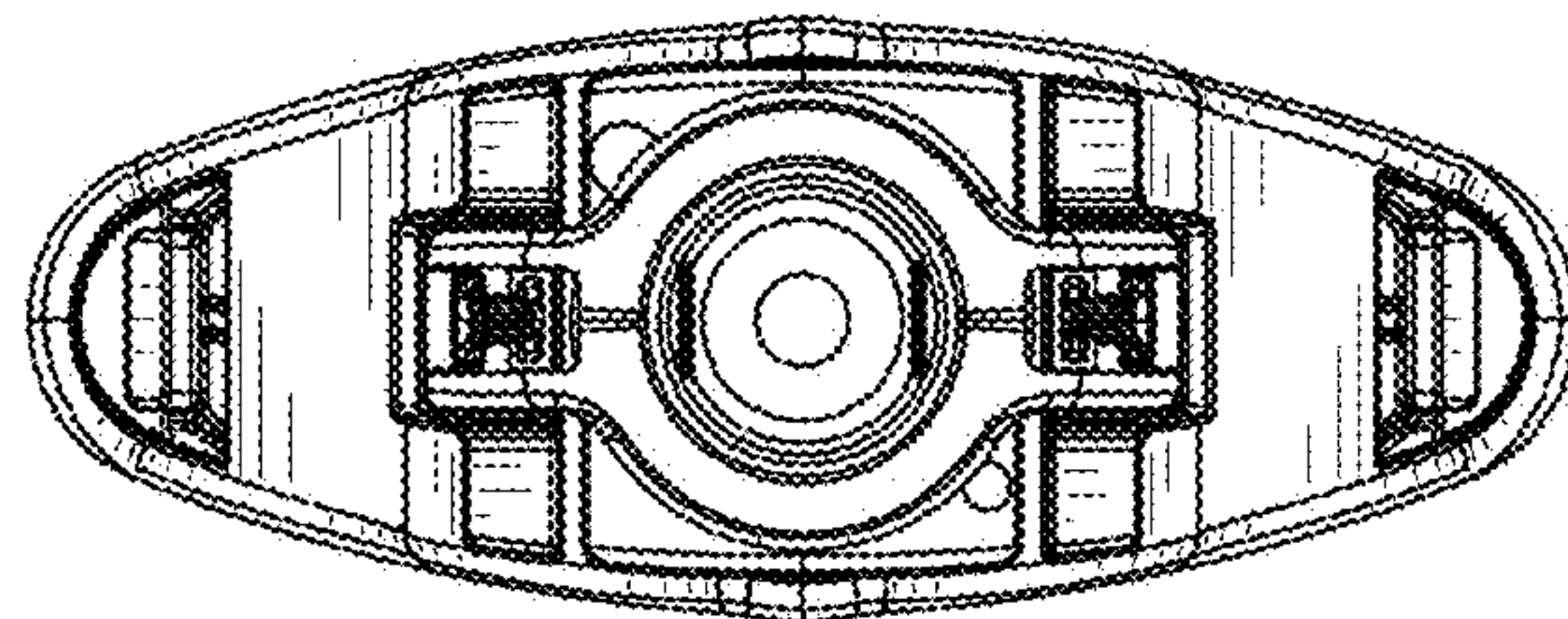


FIG. 8