



US00D952133S

(12) **United States Design Patent** (10) **Patent No.:** **US D952,133 S**  
**Cohen et al.** (45) **Date of Patent:** **\*\* May 17, 2022**

(54) **FACEMASK BODY**

(71) Applicants: **Scott A. Cohen**, Portland, ME (US);  
**Michael B. Tybergheim**, Roswell, GA (US)

(72) Inventors: **Scott A. Cohen**, Portland, ME (US);  
**Michael B. Tybergheim**, Roswell, GA (US)

(73) Assignee: **AMERICAN BIOMEDICAL GROUP INC.**, Oklahoma City, OK (US)

(\*\*) Term: **15 Years**

(21) Appl. No.: **29/758,659**

(22) Filed: **Nov. 17, 2020**

(51) **LOC (13) Cl.** ..... **29-02**

(52) **U.S. Cl.**  
USPC ..... **D24/110.5**; D24/110.1

(58) **Field of Classification Search**  
USPC ..... D24/110.1, 108, 110–110.5, 110.6, 162,  
D24/164; D29/102, 105–108, 110  
CPC ..... A61M 16/00; A62B 7/00; A62B 18/00;  
A62B 18/02; A62B 18/025; A62B  
18/084; A62B 18/086; A62B 18/01; A62B  
18/04; A62B 18/08; A62B 23/00; A62B  
23/02; A62B 23/025; A41D 13/11; A41D  
13/1107; A41D 13/1115; A41D 13/1123;  
A41D 13/113; A41D 13/1161

See application file for complete search history.

(56) **References Cited**

**U.S. PATENT DOCUMENTS**

4,723,542 A \* 2/1988 Giffard ..... A41D 13/1146  
128/206.15  
D428,139 S \* 7/2000 Smart ..... D24/110.4  
D679,378 S \* 4/2013 von Hollen ..... D24/110.4  
D784,514 S \* 4/2017 Duval ..... D24/110.1  
2016/0287915 A1 \* 10/2016 Lenfeld ..... A62B 18/025

2016/0317848 A1 \* 11/2016 Zilberstein ..... A62B 23/02  
2021/0337891 A1 \* 11/2021 Shah ..... A41D 13/11  
2021/0346730 A1 \* 11/2021 Gray ..... A62B 18/084  
2021/0346733 A1 \* 11/2021 Stranberg ..... A41D 13/11  
2021/0346734 A1 \* 11/2021 Newson ..... A62B 9/04

**FOREIGN PATENT DOCUMENTS**

CN 306081648 \* 3/2020  
CN 306178229 \* 4/2020

**OTHER PUBLICATIONS**

Honeywell N95 Mask, Dated Mar. 24, 2020, assemblymag.com [online], [site visited Dec. 2, 2021], Available from internet, URL: <https://www.assemblymag.com/articles/95558-n95-mask-manufacturing-to-add-500-new-jobs-in-ri> (Year: 2020).\*

(Continued)

*Primary Examiner* — Lilyana Bekic

*Assistant Examiner* — Maheen Khurshid

(74) *Attorney, Agent, or Firm* — Terry M. Sanks, Esquire; Beusse Sanks PLLC

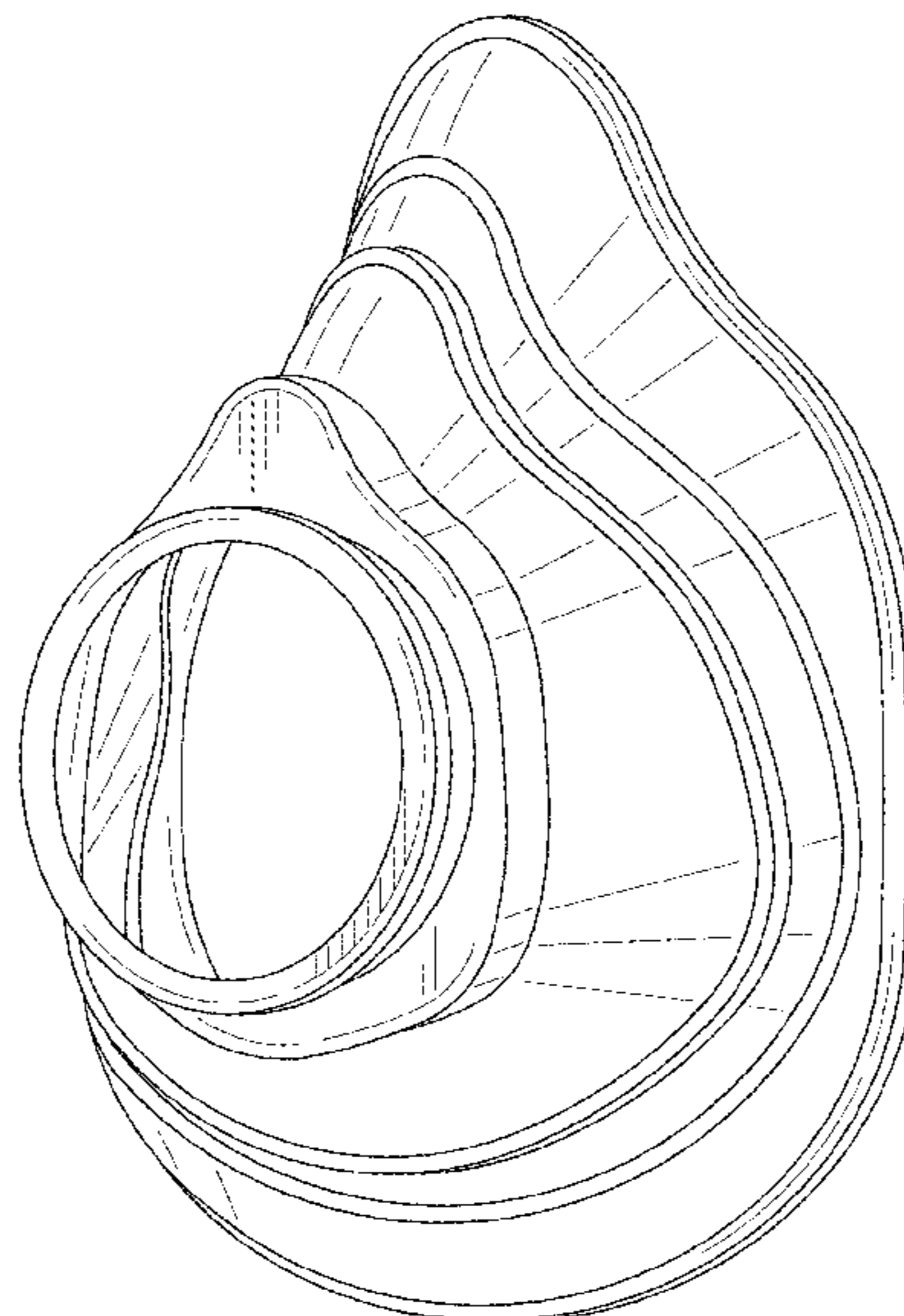
(57) **CLAIM**

The ornamental design for a facemask body, as shown and described.

**DESCRIPTION**

FIG. 1 is a front right side perspective of our new facemask body;  
FIG. 2 is a left side elevation, the right side being a mirror image thereof;  
FIG. 3 is a front elevation thereof;  
FIG. 4 is a top plan view thereof;  
FIG. 5 is a rear side elevation thereof;  
FIG. 6 is a bottom plan view thereof; and,  
FIG. 7 is a side sectional view thereof taken on the line 7-7 of FIG. 3.

**1 Claim, 4 Drawing Sheets**



(56)

**References Cited**

## OTHER PUBLICATIONS

Honeywell FFP3/N99, First available Dec. 20, 2019, amazon.com [online], [site visited Dec. 2, 2021], Available from internet, URL: <[https://www.amazon.in/Honeywell-FFP3-Anti-Pollution-Disposable-Pollution/dp/B08121RYRV/ref=sr\\_1\\_9?keywords=honeywell+mask+with+valve&qid=1638467362&s=industrial&sr=1-9](https://www.amazon.in/Honeywell-FFP3-Anti-Pollution-Disposable-Pollution/dp/B08121RYRV/ref=sr_1_9?keywords=honeywell+mask+with+valve&qid=1638467362&s=industrial&sr=1-9)> (Year: 2019).\*

2300N95 Series Particulate Respirators With Exhale Valve, Date Unknown, moldex.com, [site visited Dec. 2, 2021], Available from internet, URL: <<https://www.moldex.com/product/2300-n95-series-respirator-exhale-valve/>> (Year: 2021).\*

G-Series Mask, Date Unknown, castlegrade.com [online] [site visited Dec. 2, 2021], Available from internet, URL: <<https://castlegrade.com/products/g-series-mask>> (Year: 2021).\*

CALAB Aero Breath FDA Mask, First available Oct. 28, 2021, amazon.com [online], [site visited Dec. 2, 2021], Available from internet, URL: <[https://www.amazon.com/CALAB-Wearable-Purifier-Electric-Permanent/dp/B09KLKY7Q7/ref=sr\\_1\\_56\\_sspa?keywords=filter%2Bhard%2Bmask&qid=1638385272&sr=8-56-spons&spLa=ZW5jcnlwdGVkUXVhbGlmaWVyPUEyOFI3N01RSFBVVkpHJmVuY3J5cHRlZGlkaWU2MIFTM0dMMzBPTjJNMSZlbnNyeXB0ZWZlbnNyeXB0d2MDYyV0xRM01SUEZJQ0FTJndpZGldE5hbWU9c3](https://www.amazon.com/CALAB-Wearable-Purifier-Electric-Permanent/dp/B09KLKY7Q7/ref=sr_1_56_sspa?keywords=filter%2Bhard%2Bmask&qid=1638385272&sr=8-56-spons&spLa=ZW5jcnlwdGVkUXVhbGlmaWVyPUEyOFI3N01RSFBVVkpHJmVuY3J5cHRlZGlkaWU2MIFTM0dMMzBPTjJNMSZlbnNyeXB0ZWZlbnNyeXB0d2MDYyV0xRM01SUEZJQ0FTJndpZGldE5hbWU9c3)> (Year: 2021).\*

\* cited by examiner

FIG. 1

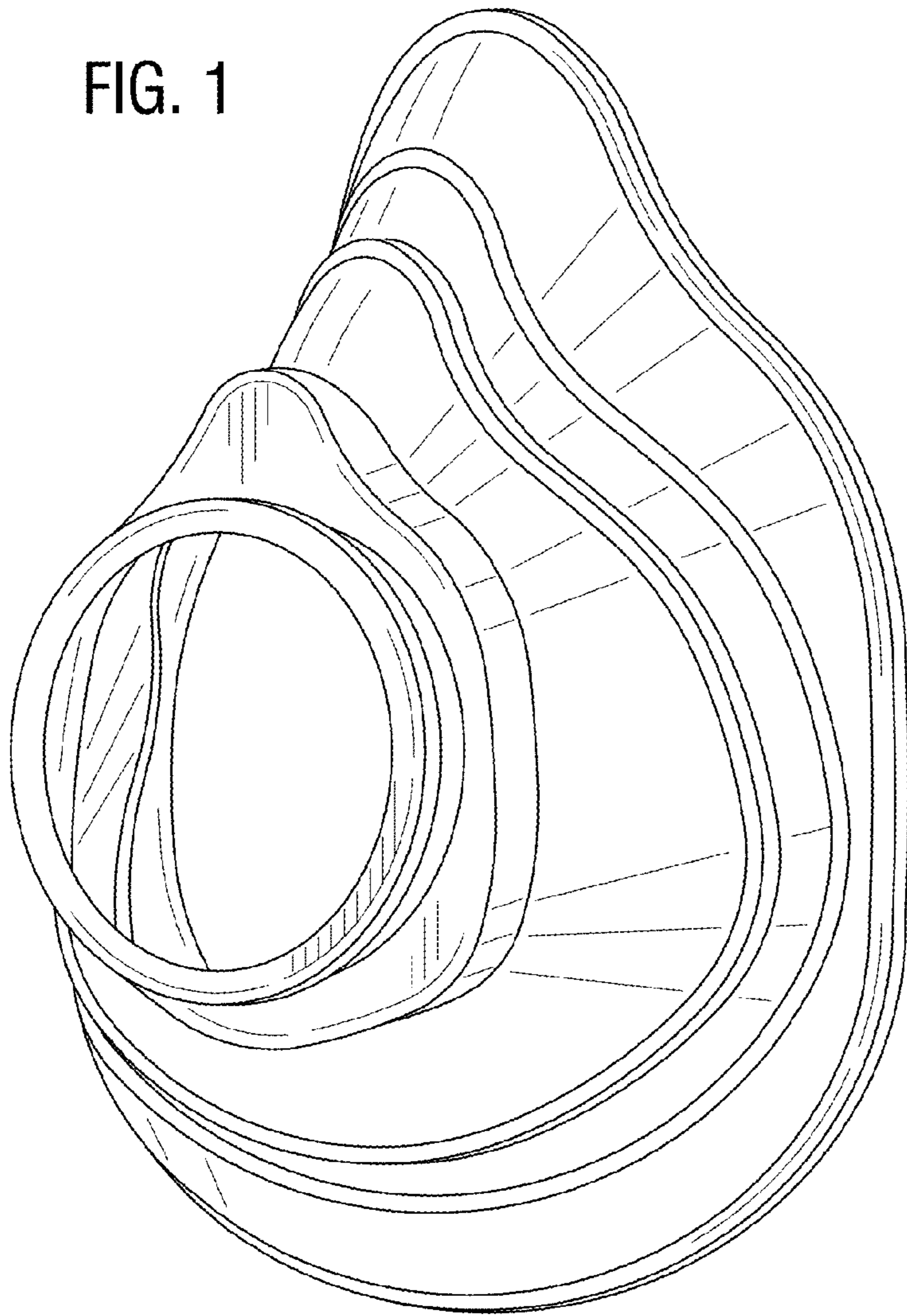


FIG. 2

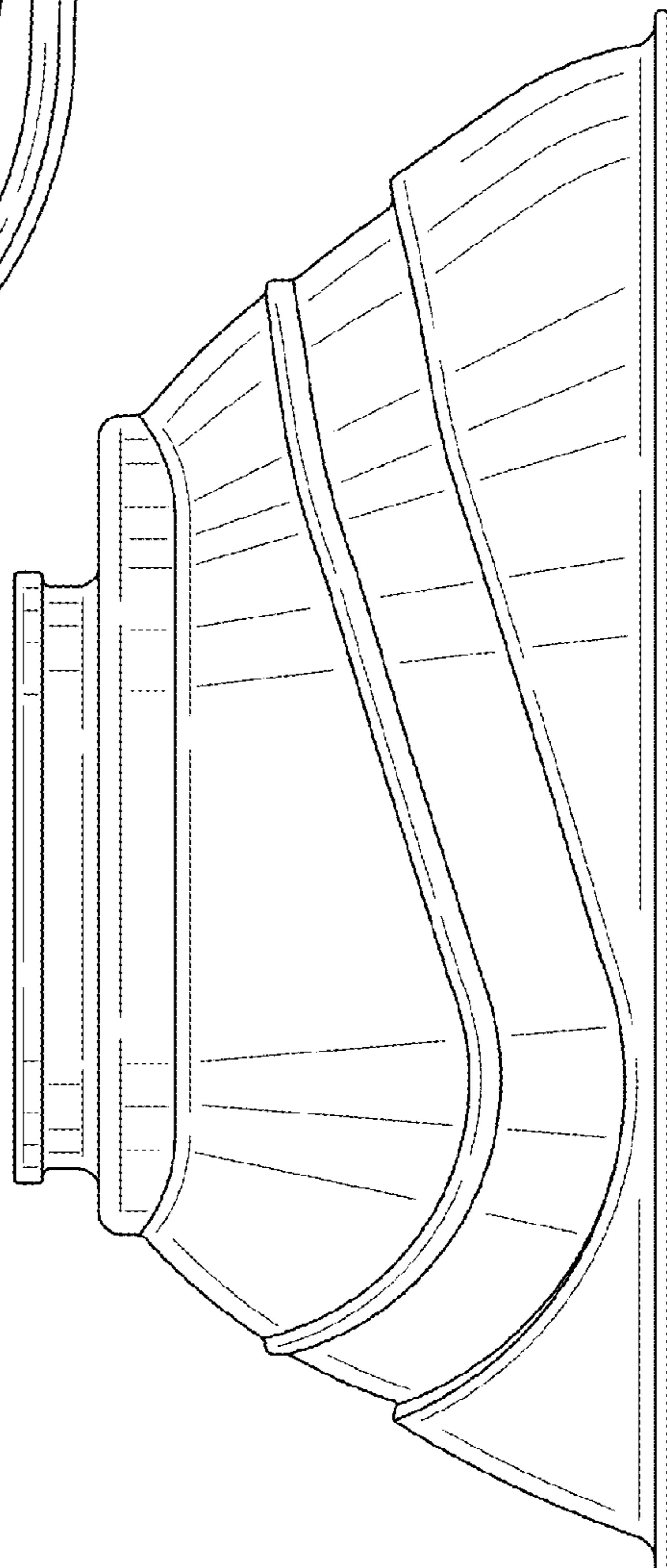


FIG. 3

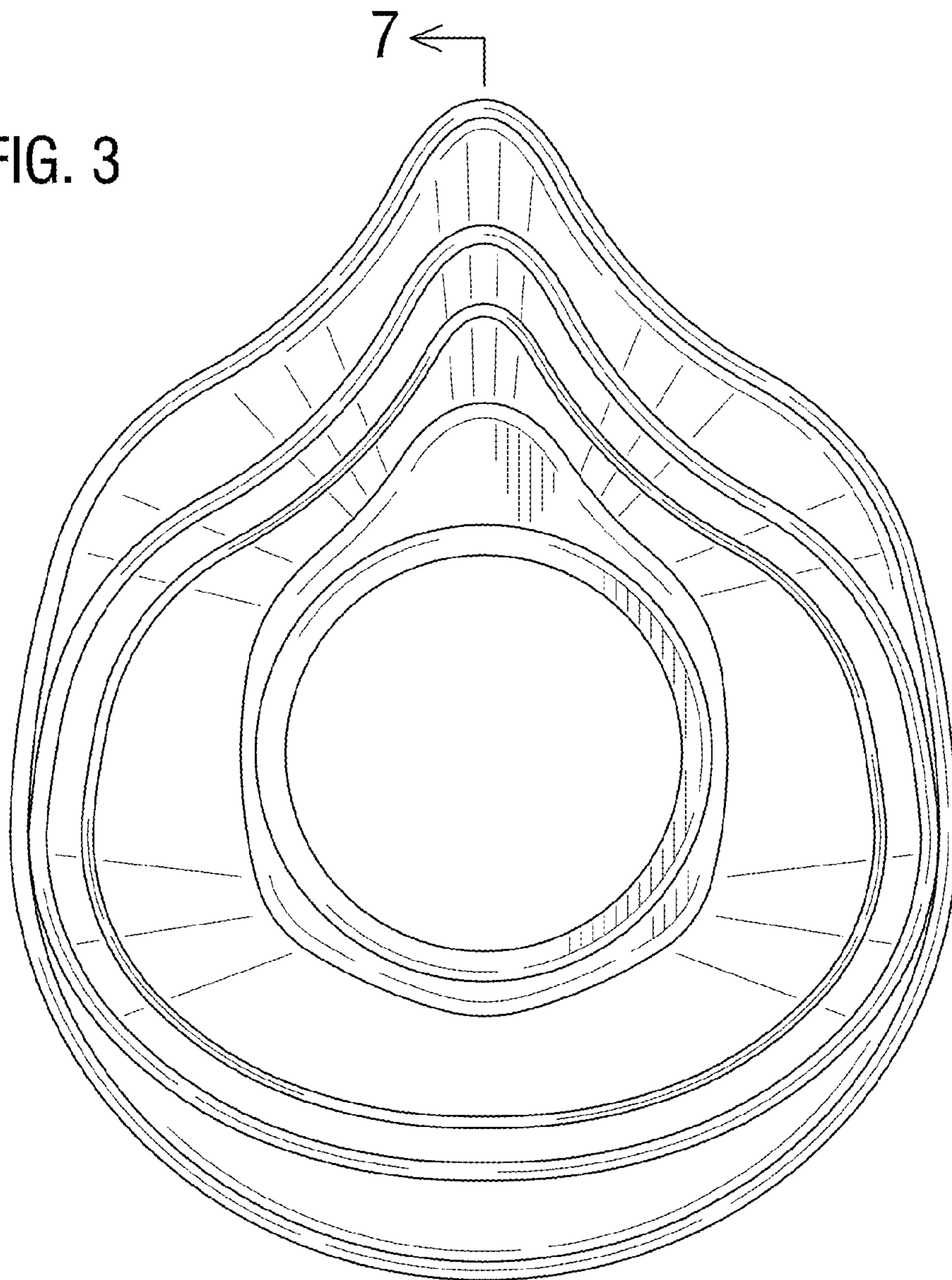


FIG. 4

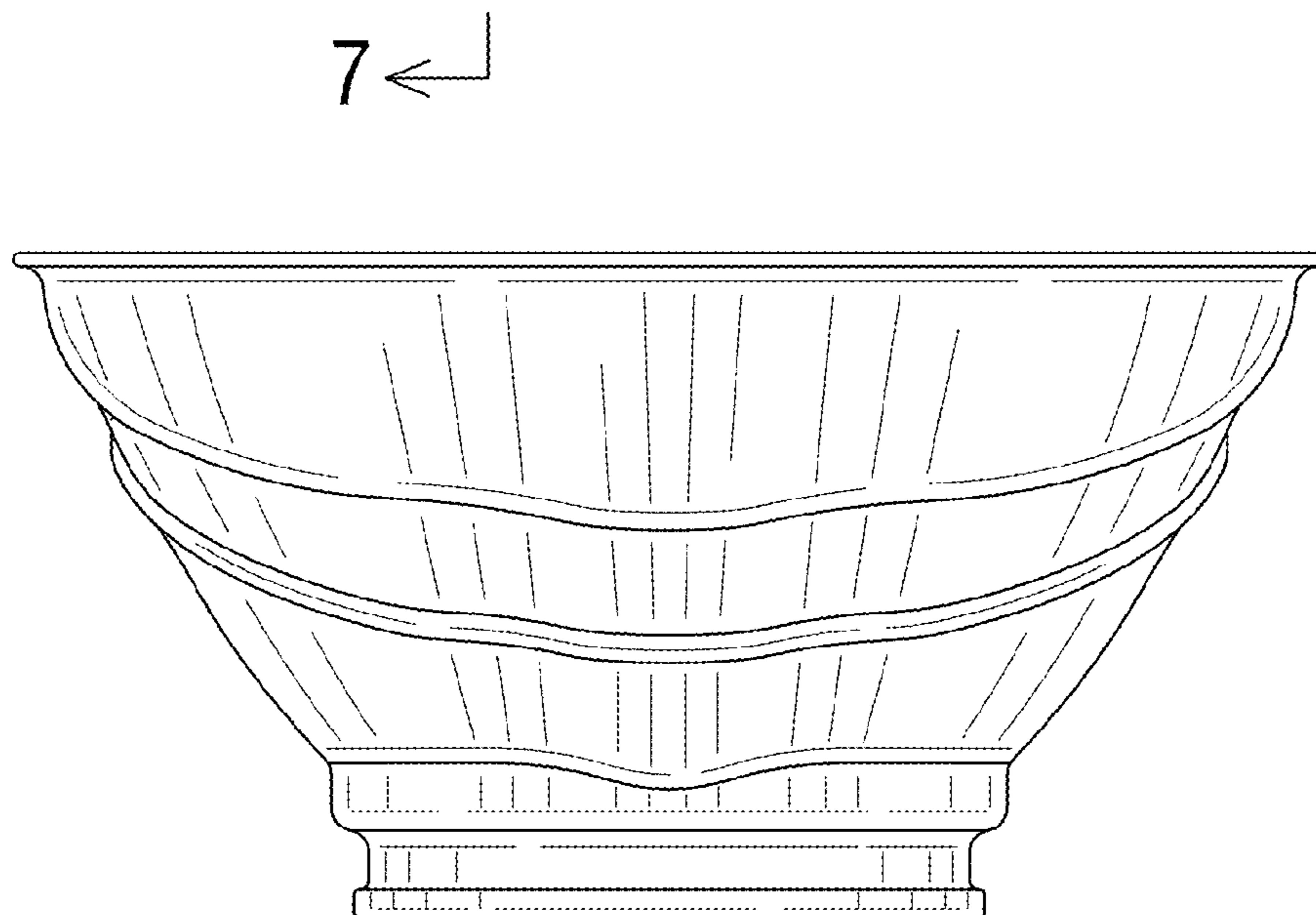


FIG. 5

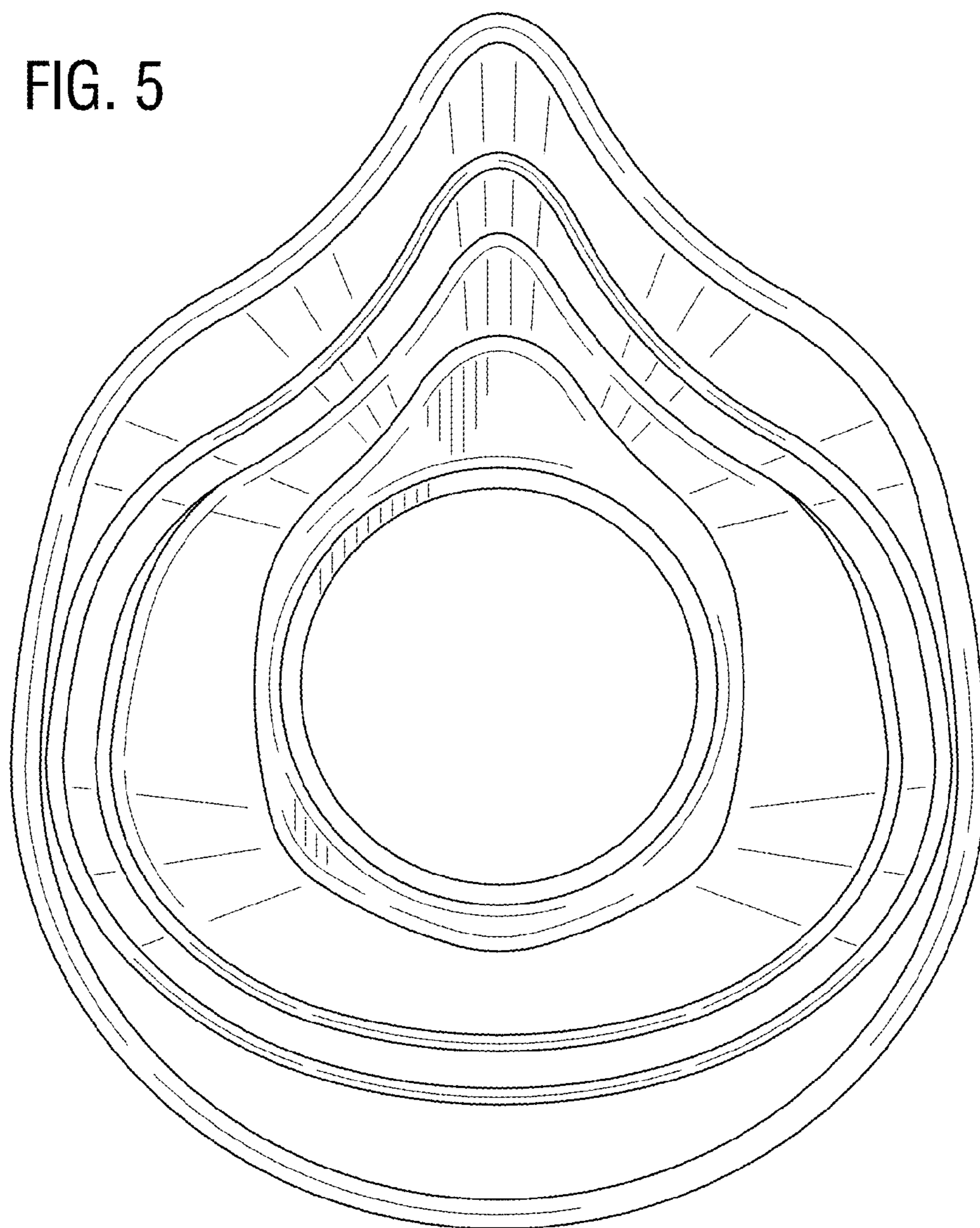


FIG. 6

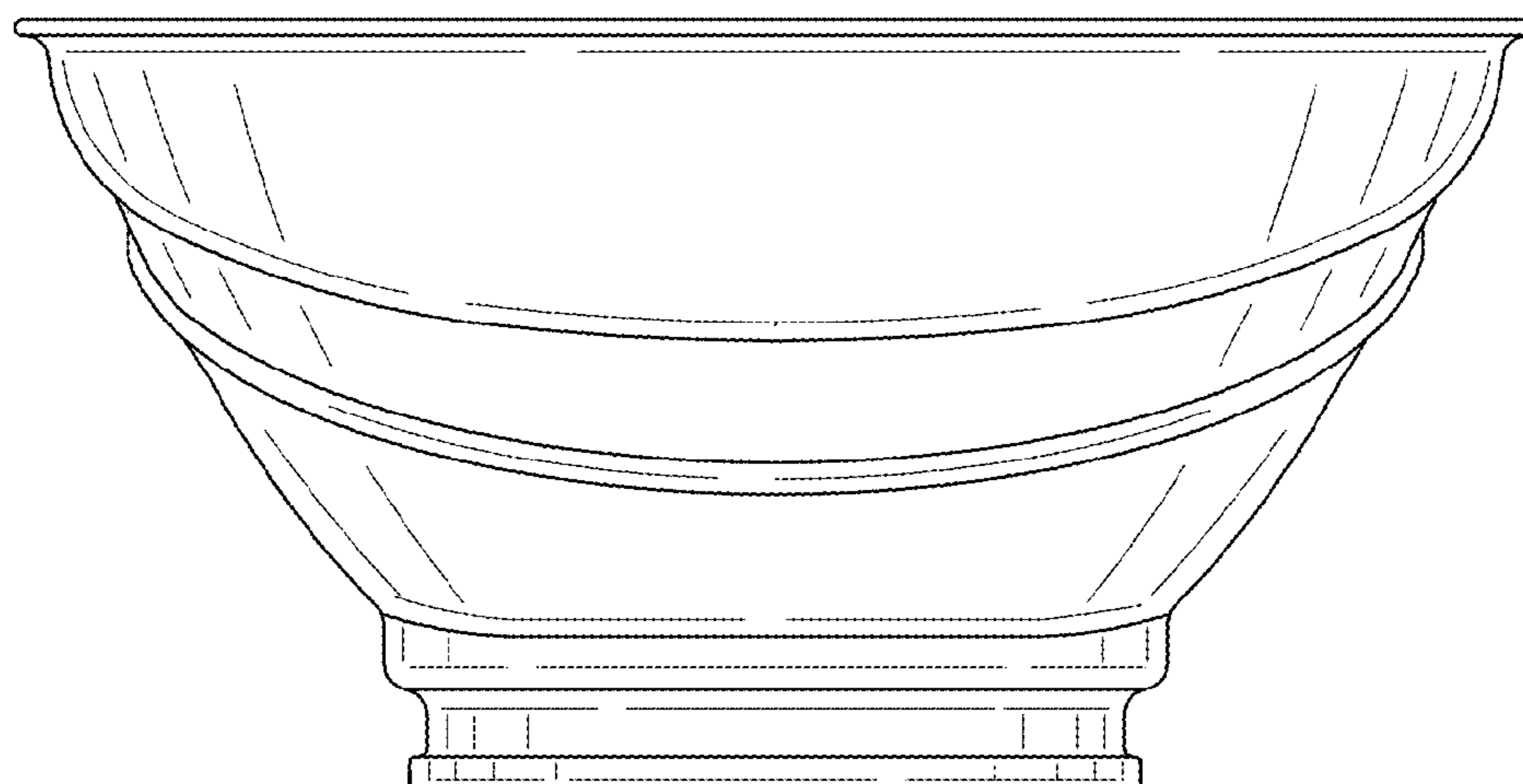


FIG. 7

