



US00D952132S

(12) **United States Design Patent** (10) **Patent No.:** **US D952,132 S**
Cohen et al. (45) **Date of Patent:** **** May 17, 2022**

- (54) **FACEMASK**
- (71) Applicants: **Scott A. Cohen**, Portland, ME (US);
Michael B. Tybergheim, Roswell, GA (US)
- (72) Inventors: **Scott A. Cohen**, Portland, ME (US);
Michael B. Tybergheim, Roswell, GA (US)
- (73) Assignee: **AMERICAN BIOMEDICAL GROUP INC.**, Oklahoma City, OK (US)

2016/0287915 A1* 10/2016 Lenfeld A62B 18/025
 2016/0317848 A1* 11/2016 Zilberstein A62B 23/02
 2021/0337891 A1* 11/2021 Shah A41D 13/11
 2021/0346730 A1* 11/2021 Gray A62B 18/084
 2021/0346733 A1* 11/2021 Stranberg A41D 13/11
 2021/0346734 A1* 11/2021 Newson A62B 9/04

FOREIGN PATENT DOCUMENTS

CN 306081648 * 3/2020
 CN 306178229 * 4/2020

OTHER PUBLICATIONS

Honeywell N95 Mask, Dated Mar. 24, 2020, assemblymag.com [online], [site visited Dec. 2, 2021], Available from internet, URL: <<https://www.assemblymag.com/articles/95558-n95-mask-manufacturing-to-add-500-new-jobs-in-ri>> (Year: 2020).*

(Continued)

Primary Examiner — Lilyana Bekic
Assistant Examiner — Maheen Khurshid

- (**) Term: **15 Years**
- (21) Appl. No.: **29/753,729**
- (22) Filed: **Oct. 1, 2020**
- (51) **LOC (13) Cl.** **29-02**
- (52) **U.S. Cl.**
USPC **D24/110.1**
- (58) **Field of Classification Search**
USPC D24/110.1, 108, 110–110.4, 110.6, 162, D24/164; D29/102, 105–108, 110
CPC A61M 16/00; A62B 7/00; A62B 18/00; A62B 18/02; A62B 18/025; A62B 18/084; A62B 18/086; A62B 18/01; A62B 18/04; A62B 18/08; A62B 23/00; A62B 23/02; A62B 23/025; A41D 13/11; A41D 13/1107; A41D 13/1115; A41D 13/1123; A41D 13/113; A41D 13/1161
See application file for complete search history.

(57) **CLAIM**

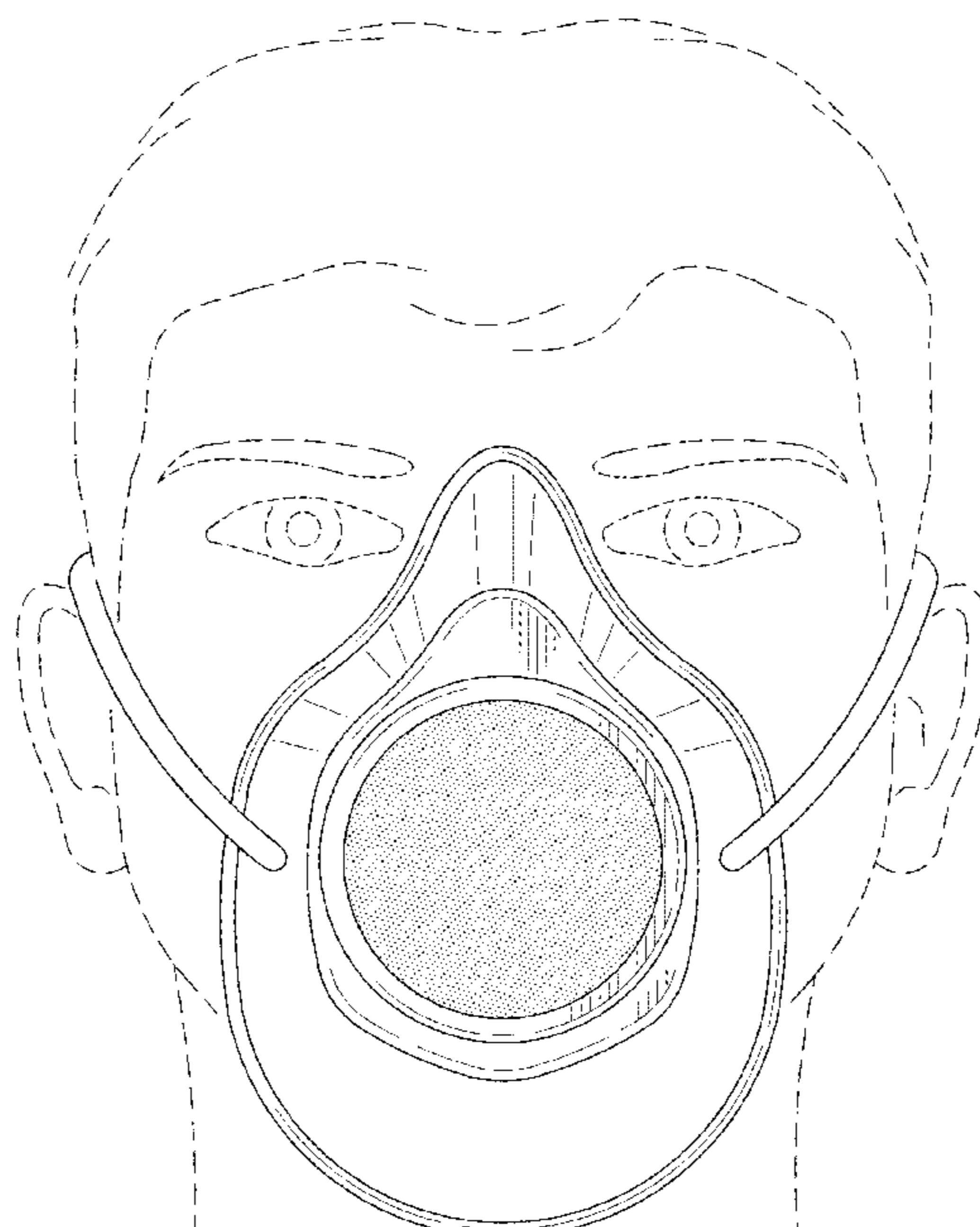
The ornamental design for a facemask, as shown and described.

DESCRIPTION

FIG. 1 is a front elevation of our new facemask;
 FIG. 2 is a top plan view thereof;
 FIG. 3 is a bottom plan view thereof;
 FIG. 4 is a front elevation thereof;
 FIG. 5 is a right side elevation thereof;
 FIG. 6 is a rear side elevation thereof; and,
 FIG. 7 is a side sectional view thereof taken on the line 7-7 of FIG. 4.
 The broken lines in FIG. 1 showing a person's face depicts environment and forms no part of the claimed design.

- (56) **References Cited**
U.S. PATENT DOCUMENTS
4,723,542 A * 2/1988 Giffard A41D 13/1146
128/206.15
D784,514 S * 4/2017 Duval D24/110.1

1 Claim, 4 Drawing Sheets



(56)

References Cited

OTHER PUBLICATIONS

Honeywell FFP3/N99, First available Dec. 20, 2019, amazon.com [online], [site visited Dec. 2, 2021], Available from internet, URL: <https://www.amazon.in/Honeywell-FFP3-Anti-Pollution-Disposable-Pollution/dp/B08121RYSV/ref=sr_1_9?keywords=honeywell+mask+with+valve&qid=1638467362&s=industrial&sr=1-9> (Year: 2019).*

2300N95 Series Particulate Respirators With Exhale Valve, Date Unknown, moldex.com, [site visited Dec. 2, 2021], Available from internet, URL: <<https://www.moldex.com/product/2300-n95-series-respirator-exhale-valve/>> (Year: 2021).*

G-Series Mask, Date Unknown, castlegrade.com [online] [site visited Dec. 2, 2021], Available from internet, URL: <<https://castlegrade.com/products/g-series-mask>> (Year: 2021).*

CALAB Aero Breath FDA Mask, First available Oct. 28, 2021, amazon.com [online], [site visited Dec. 2, 2021], Available from internet, URL: <https://www.amazon.com/CALAB-Wearable-Purifier-Electric-Permanent/dp/B09KLKY7Q7/ref=sr_1_56_sspa?keywords=filter%2Bhard%2Bmask&qid=1638385272&sr=8-56-spons&spLa=ZW5jcnlwdGVkUXVhbGlmaWVyPUEyOFI3N01RSFBVVkpHJM VuY3J5cHRIZEikPUEwMjk0MjU2MIFTM0dMMzBPTjJNMSZlbnNyeXB0ZWZlZikPUEwNTc2MDYyV0xRM01SUEZJQ0FTJndpZGldE5hbWU9c3> (Year: 2021).*

* cited by examiner

FIG. 1

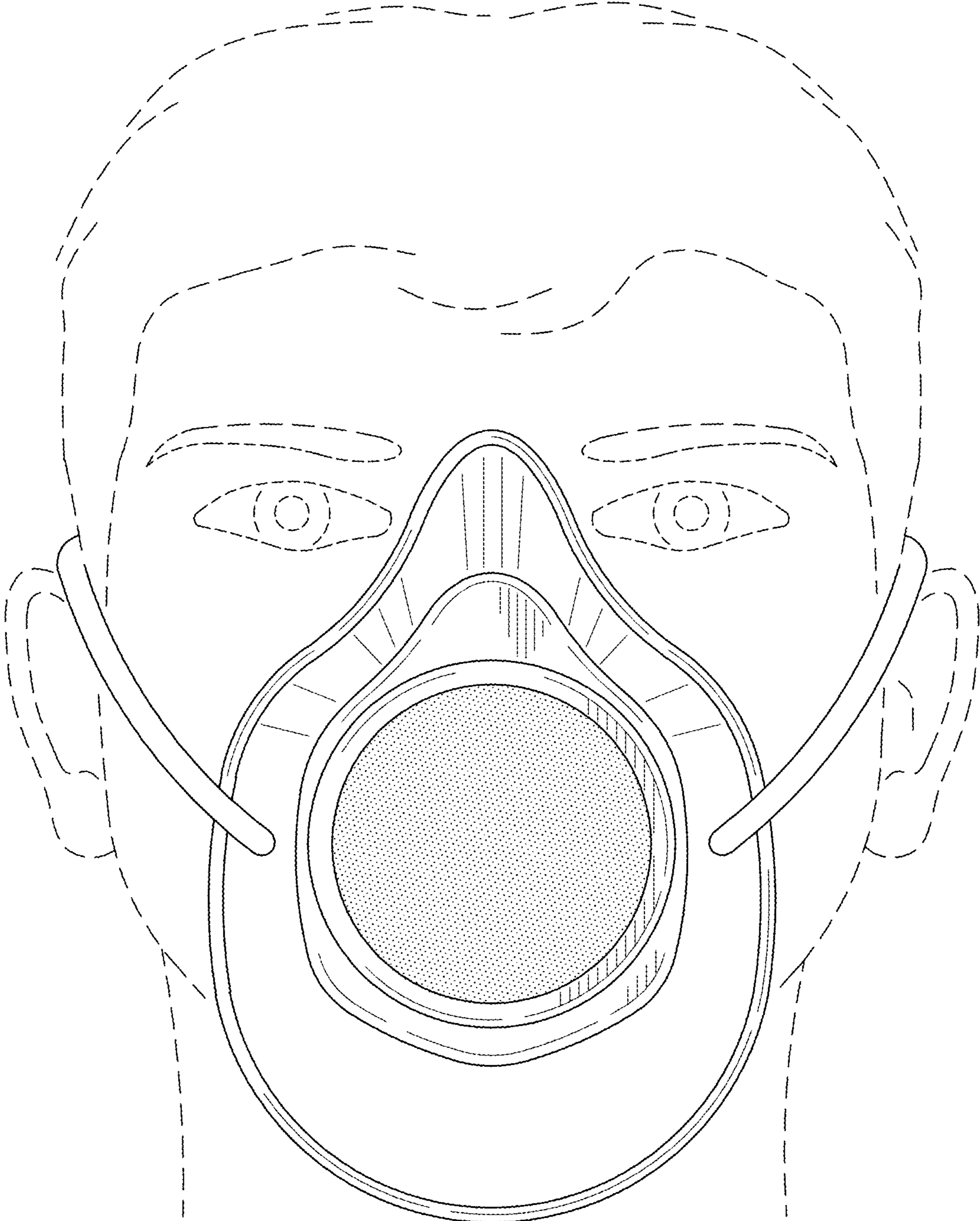


FIG. 2

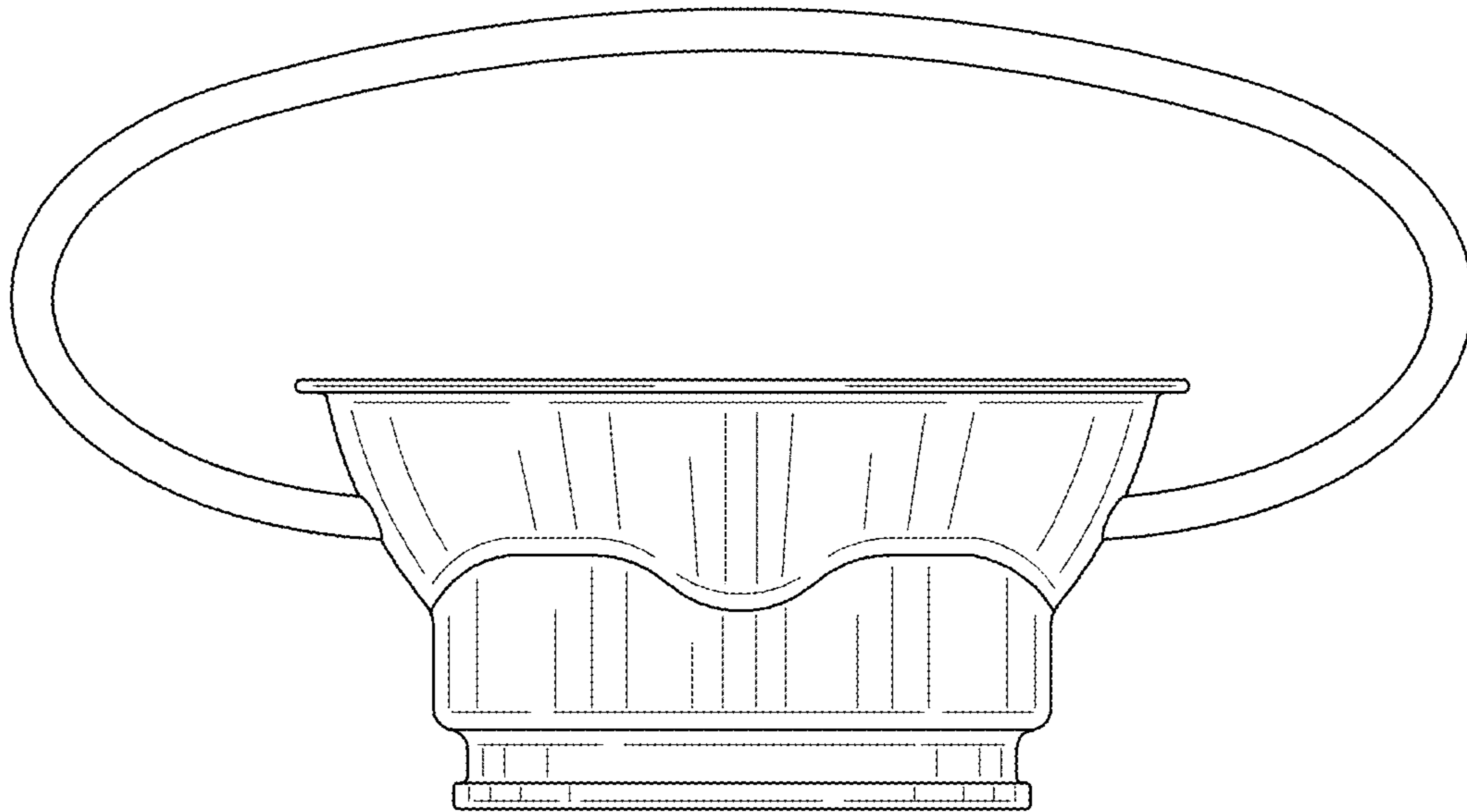


FIG. 3

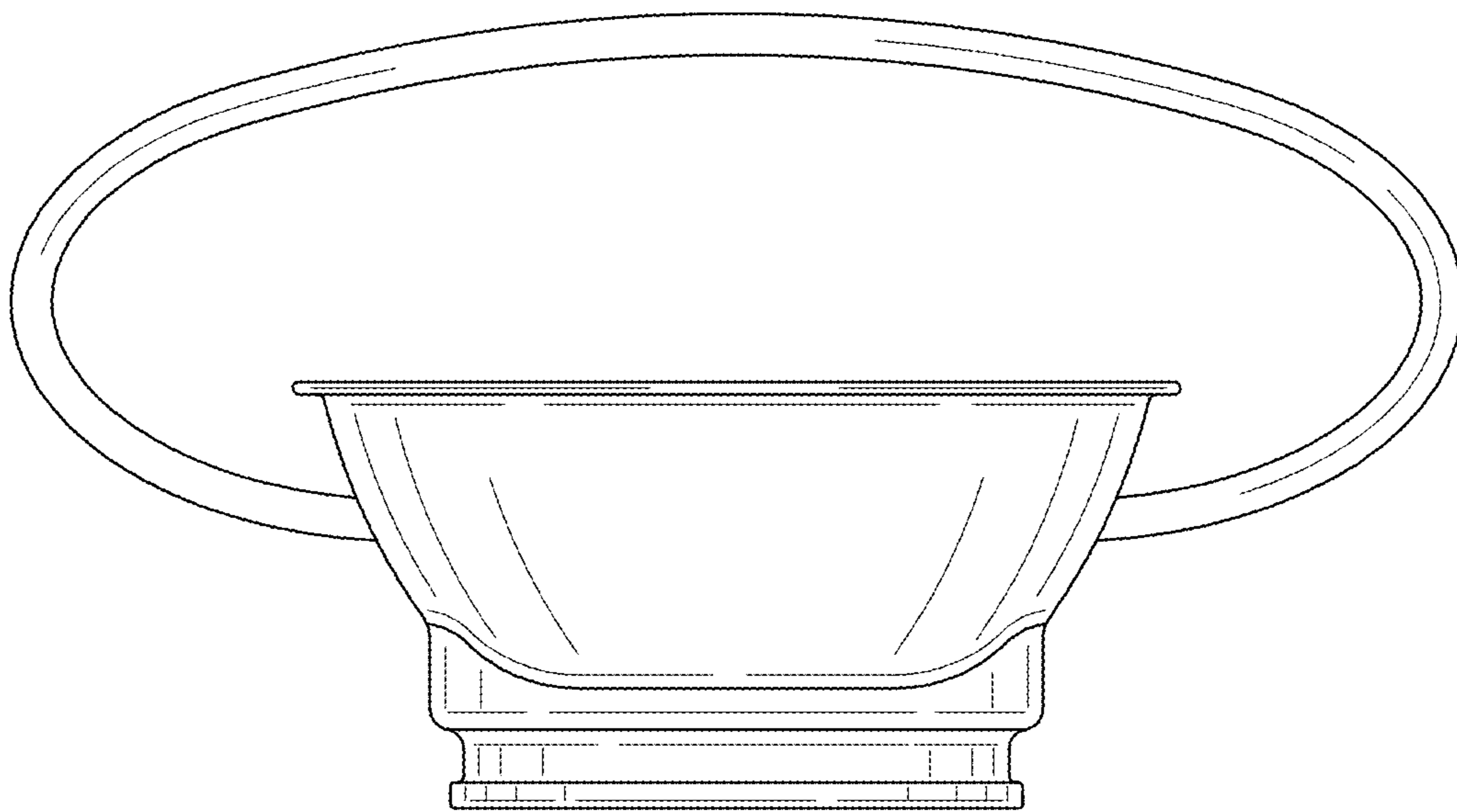


FIG. 4

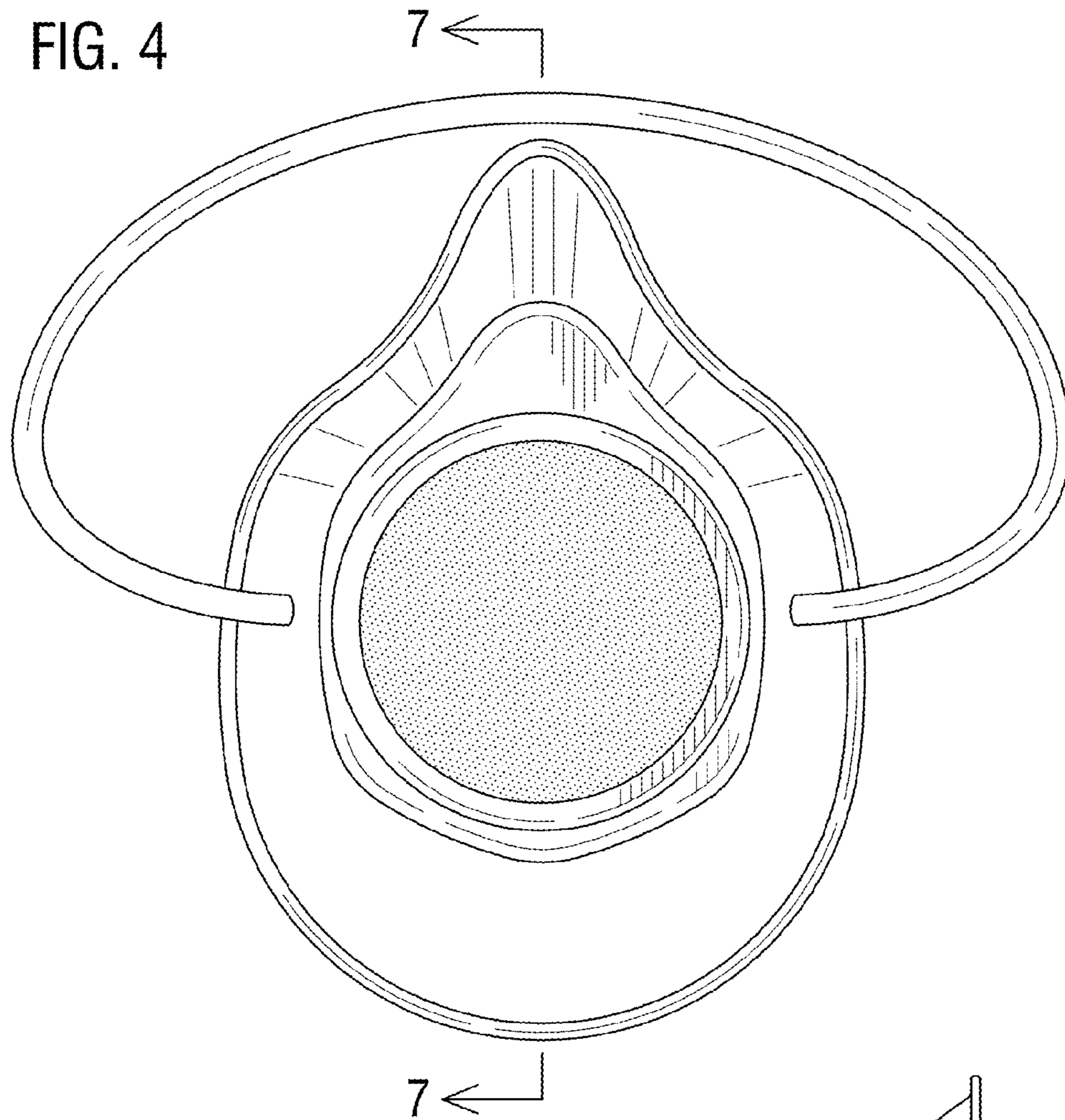


FIG. 5

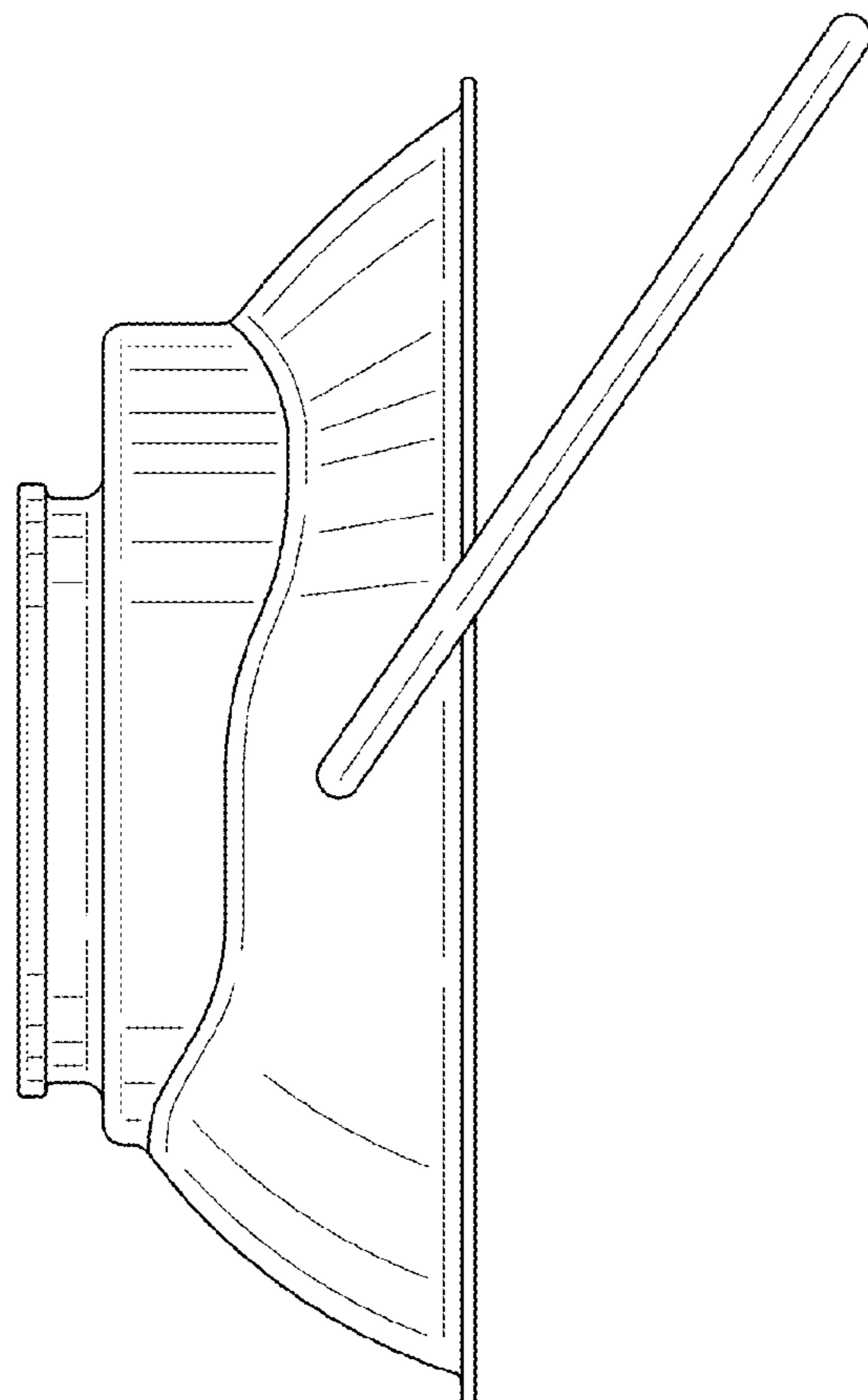


FIG. 6

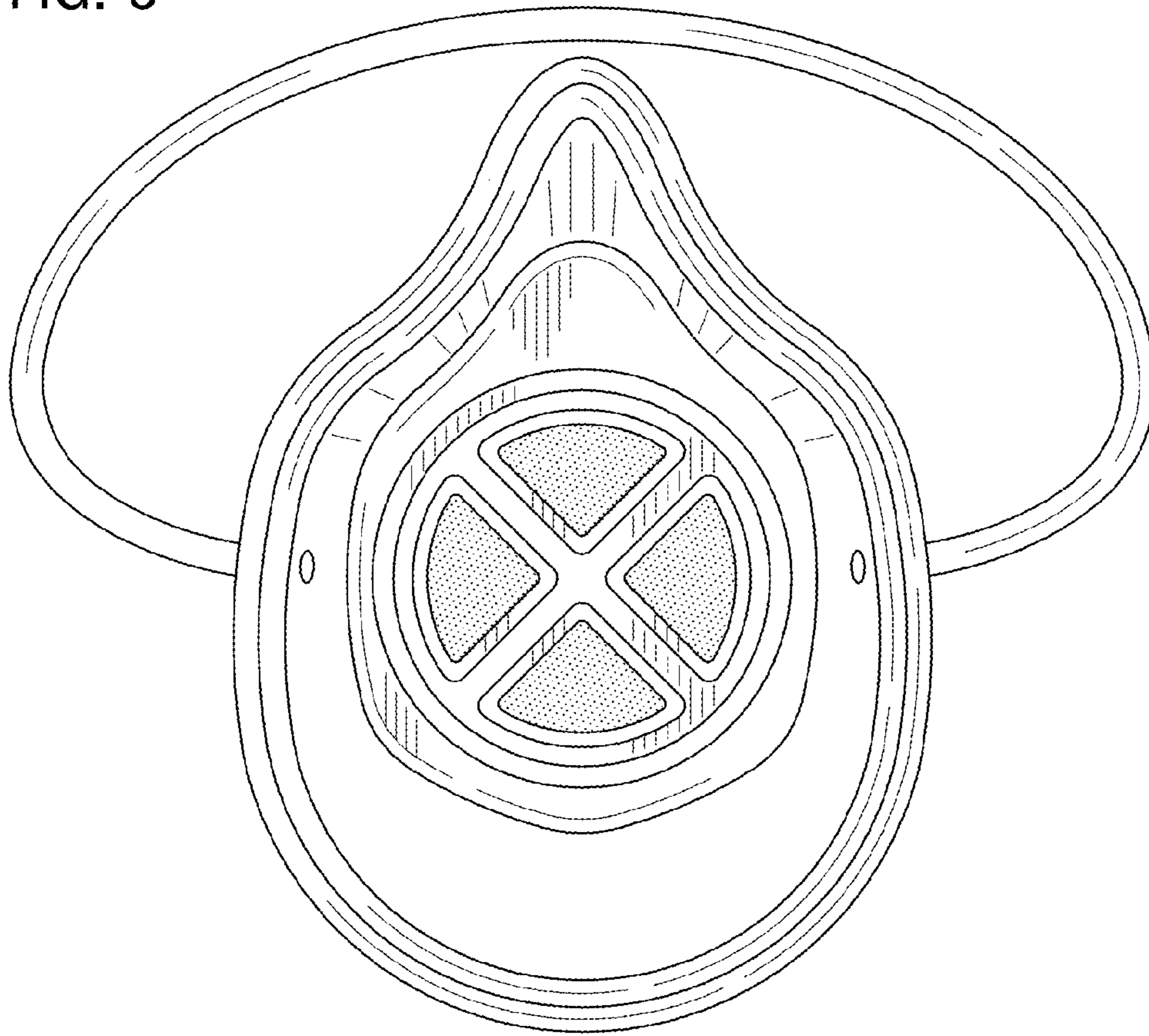


FIG. 7

