



US00D952131S

(12) **United States Design Patent** (10) **Patent No.:** **US D952,131 S**
Kong (45) **Date of Patent:** **** May 17, 2022**

(54) **MASK**
(71) Applicant: **EDL CO., LTD**, Siheung-si (KR)
(72) Inventor: **Jun-kyu Kong**, Hwaseong-si (KR)
(73) Assignee: **EDL CO., LTD.**, Siheung-si (KR)

(**) Term: **15 Years**

(21) Appl. No.: **29/751,591**

(22) Filed: **Sep. 22, 2020**

(30) **Foreign Application Priority Data**

Apr. 27, 2020 (KR) 30-2020-0018715

(51) **LOC (13) Cl.** **29-02**

(52) **U.S. Cl.**
USPC **D24/110.1**; D29/108

(58) **Field of Classification Search**
USPC D24/110-110.6; D29/108
CPC . A41D 13/11; A41D 13/1115; A41D 13/1161;
A62B 18/025; A62B 18/084; A61M 16/06
See application file for complete search history.

(56) **References Cited**

U.S. PATENT DOCUMENTS

| | | | | | | |
|--------------|------|---------|-----------|-------|------------|------------|
| 2,565,124 | A * | 8/1951 | Durborow | | A41D 13/11 | 128/206.19 |
| D414,862 | S * | 10/1999 | Hall | | D24/110.1 | |
| D443,927 | S * | 6/2001 | Chen | | D24/110.1 | |
| D448,472 | S * | 9/2001 | Chen | | D24/110.1 | |
| D646,380 | S * | 10/2011 | Gebrewold | | D24/110.1 | |
| D776,257 | S * | 1/2017 | Remer | | D24/110.1 | |
| D822,195 | S * | 7/2018 | Kwong | | D24/110.1 | |
| D925,723 | S * | 7/2021 | Guo | | D24/110.1 | |
| 2008/0023006 | A1 * | 1/2008 | Kalatoor | | A41D 13/11 | 128/205.29 |

| | | | | | | |
|--------------|------|--------|------------|-------|-------------|---------|
| 2009/0151733 | A1 * | 6/2009 | Welchel | | A41D 13/113 | 128/863 |
| 2012/0000473 | A1 * | 1/2012 | Shigematsu | | A62B 23/025 | 128/863 |
| 2016/0174631 | A1 * | 6/2016 | Tong | | A01N 25/10 | 128/863 |

(Continued)

FOREIGN PATENT DOCUMENTS

| | | | |
|----|-----------|---|---------|
| CN | 305229141 | * | 6/2019 |
| CN | 306114522 | * | 10/2020 |

(Continued)

OTHER PUBLICATIONS

3M KN95 (available [online] Jun. 17, 2021) Retrieved from the internet Dec. 15, 2021 from URL: <https://www.amazon.com/3M-AFFM-5-Advanced-Filtering-Attachment/dp/B097F7HSDZ/> (Year: 2021).*

(Continued)

Primary Examiner — Eric L Goodman
Assistant Examiner — Michael Hoffman
(74) *Attorney, Agent, or Firm* — Novick, Kim & Lee, PLLC; Sang Ho Lee; Hyun Woo Shin

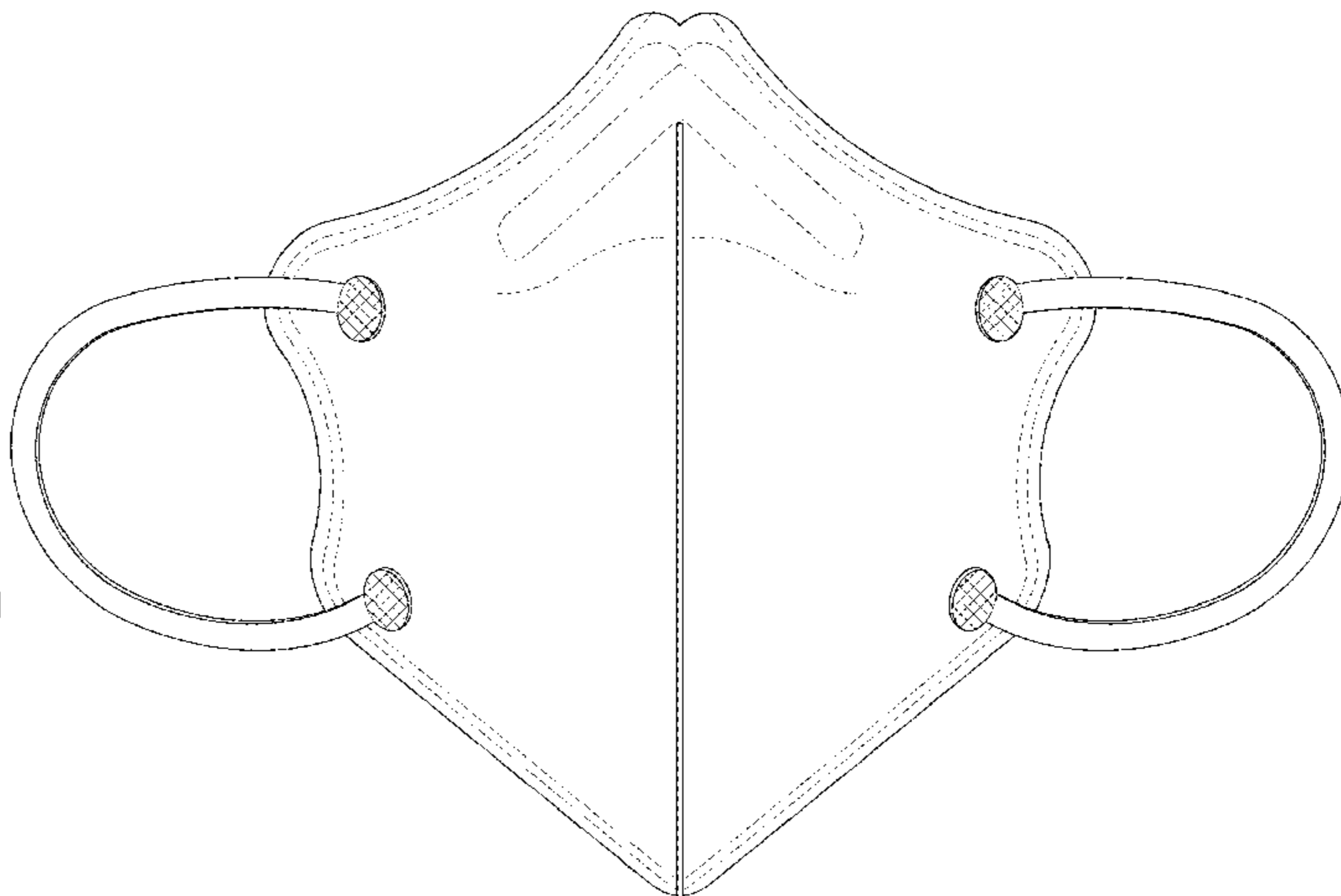
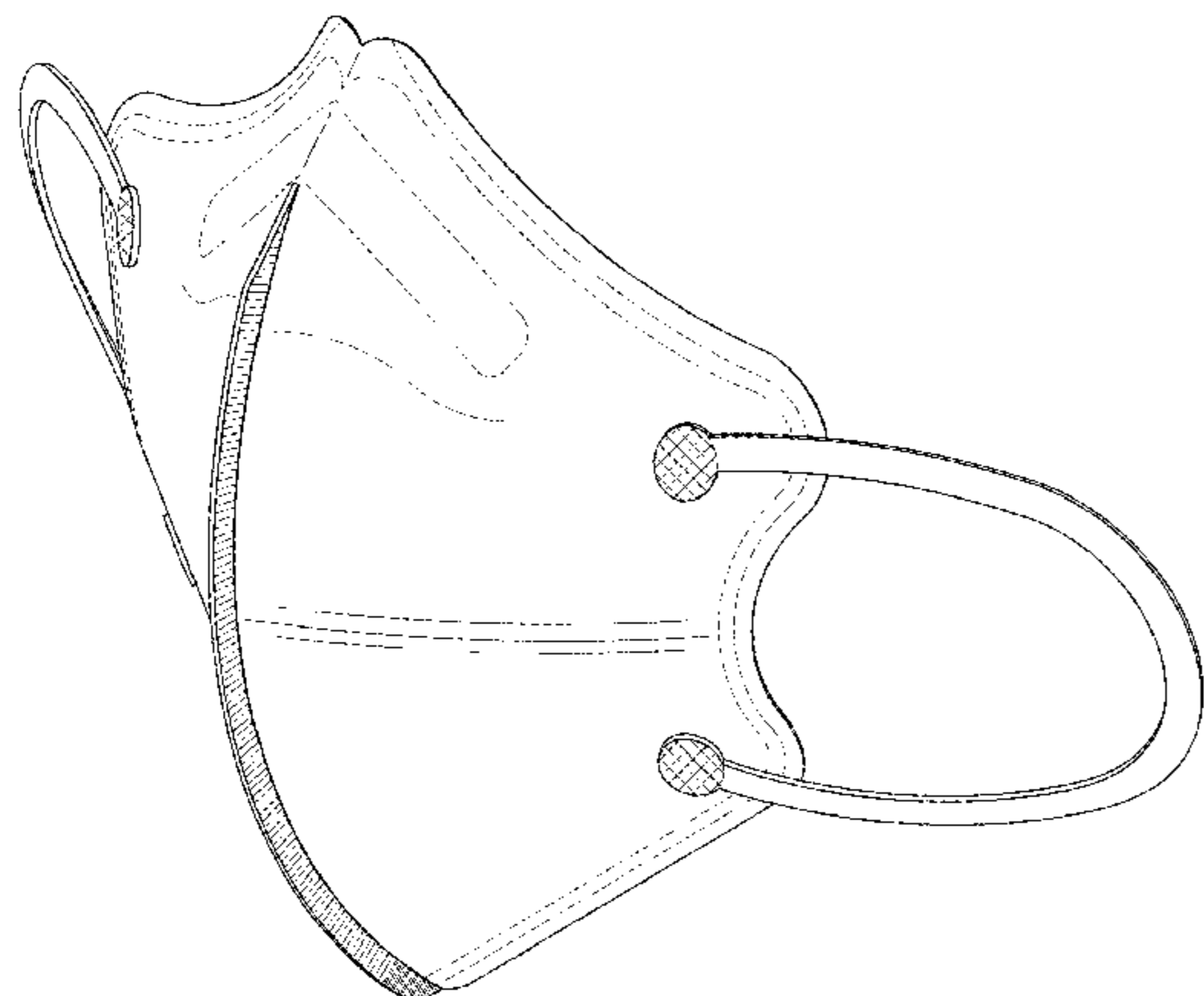
(57) **CLAIM**

I claim the ornamental design for a mask, as shown and described.

DESCRIPTION

FIG. 1 is a perspective view of a mask, showing my new design;
FIG. 2 is a front elevational view thereof;
FIG. 3 is a rear elevational view thereof;
FIG. 4 is a left side elevational view thereof;
FIG. 5 is a right side elevational view thereof;
FIG. 6 is a top plan view thereof; and,
FIG. 7 is a bottom plan view thereof.
The broken lines in the drawings show stitching in the mask which form a part of the claimed design.

1 Claim, 7 Drawing Sheets



(56)

References Cited

U.S. PATENT DOCUMENTS

2017/0281991 A1* 10/2017 Wang A41D 13/1138
 2017/0303608 A1* 10/2017 Chen A41D 13/1161
 2017/0311660 A1* 11/2017 Chen A41D 13/1161
 2018/0021608 A1* 1/2018 Zhou A41D 13/113
 128/863
 2019/0217133 A1* 7/2019 Cho F16K 27/0209
 2020/0288795 A1* 9/2020 Xiang A41D 13/11
 2021/0321698 A1* 10/2021 Ramos A41D 13/113

FOREIGN PATENT DOCUMENTS

CN 306219824 * 12/2020
 CN 306910515 * 3/2021
 CN 306516498 * 5/2021
 CN 306565968 * 5/2021
 CN 306828142 * 9/2021
 CN 306864602 * 10/2021
 CN 306935544 * 11/2021

JP D1660696 * 5/2020
 JP D1700403 * 11/2021
 KR 301012853.0000 * 6/2019

OTHER PUBLICATIONS

Homeland Hardware (available [online] Jun. 2, 2020) Retrieved from the internet Dec. 15, 2021 from URL: <https://www.amazon.com/Homeland-Hardware-Powecom-2-5PM-Protective/dp/B089KVX14T/> (Year: 2020).*

WWDoll 25 Pack (available [online] Sep. 22, 2020) Retrieved from the internet Dec. 15, 2021 from URL: <https://www.amazon.com/Filter-Efficiency%E2%89%A595-5-Ply-Protection-Against/dp/B08JQMPGWN/> (Year: 2020).*

INSAN 5 Pack Premium Protective (available [online] Oct. 21, 2020) Retrieved from the internet Dec. 17, 2021 from URL: <https://www.amazon.com/Premium-Protective-Certified-Safety-Disposal/dp/B08LJDCFMX?th=1> (Year: 2020).*

Zerobay Mask available [online]) Retrieved from the internet Dec. 15, 2021 from URL: <https://www.zerobaymask.com/products/zerobay-premium-4-layer-kf94-mask-white-10-pcs-pack> (Year: 2021).*

* cited by examiner

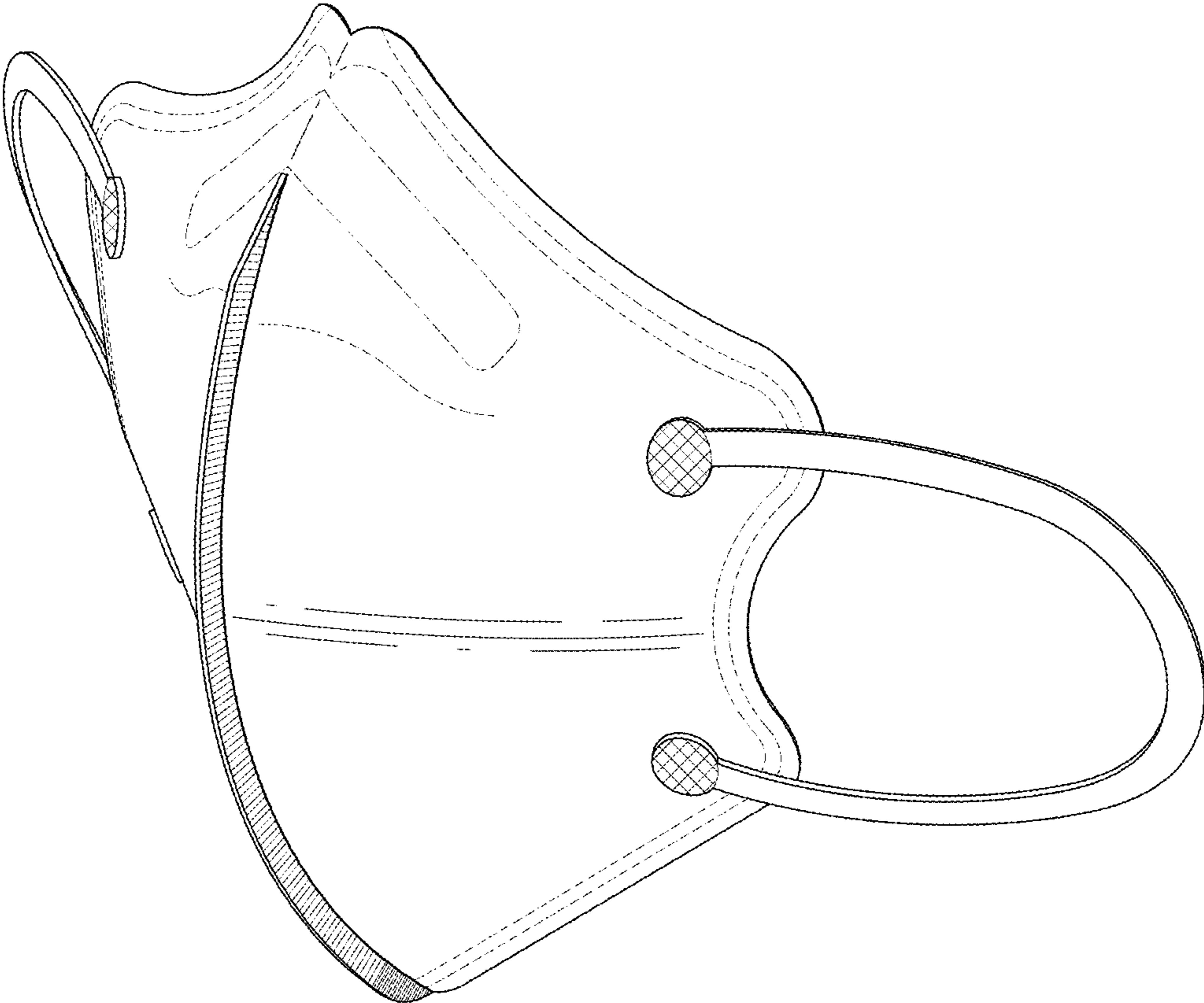


FIG. 1

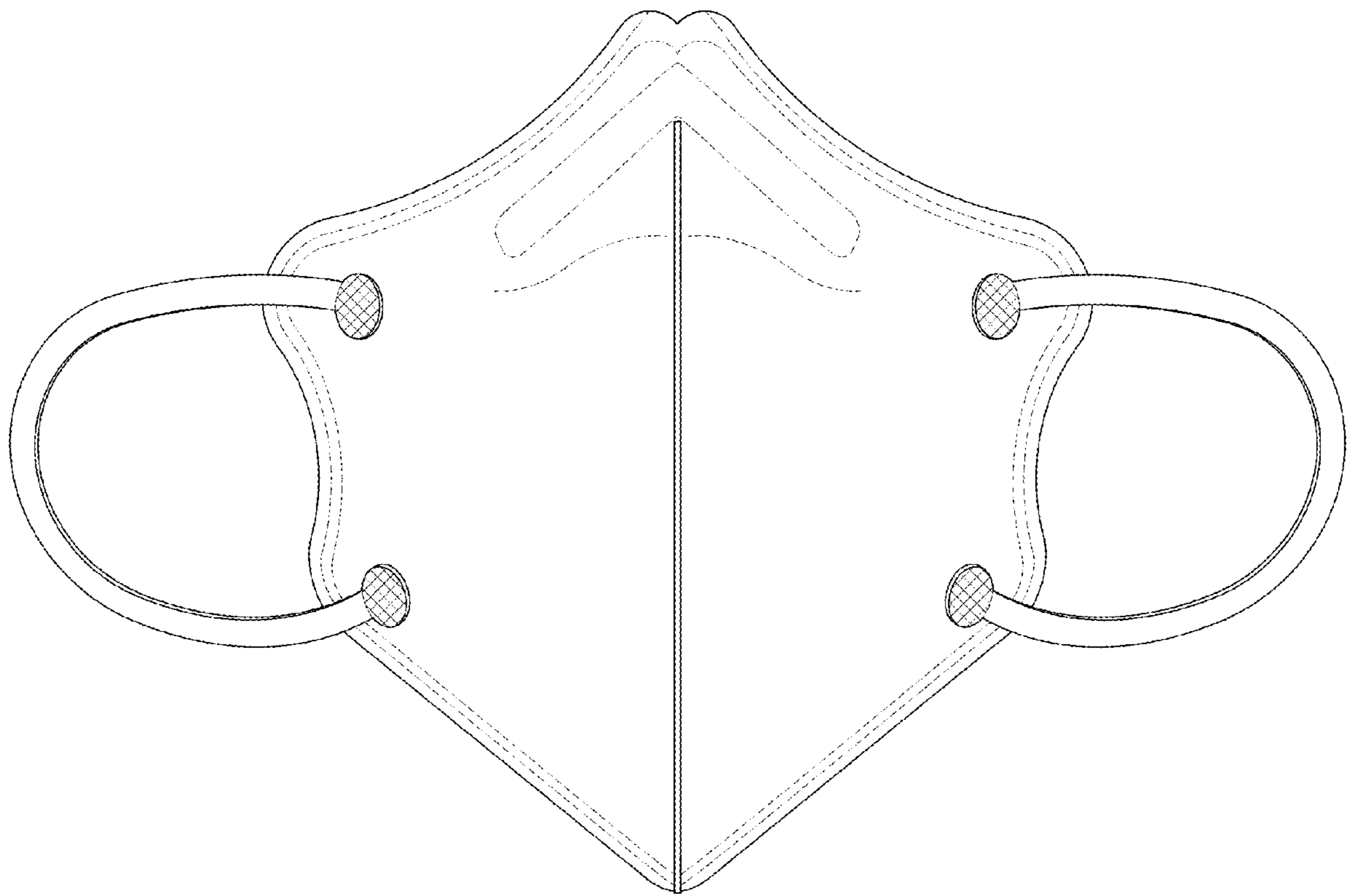


FIG. 2

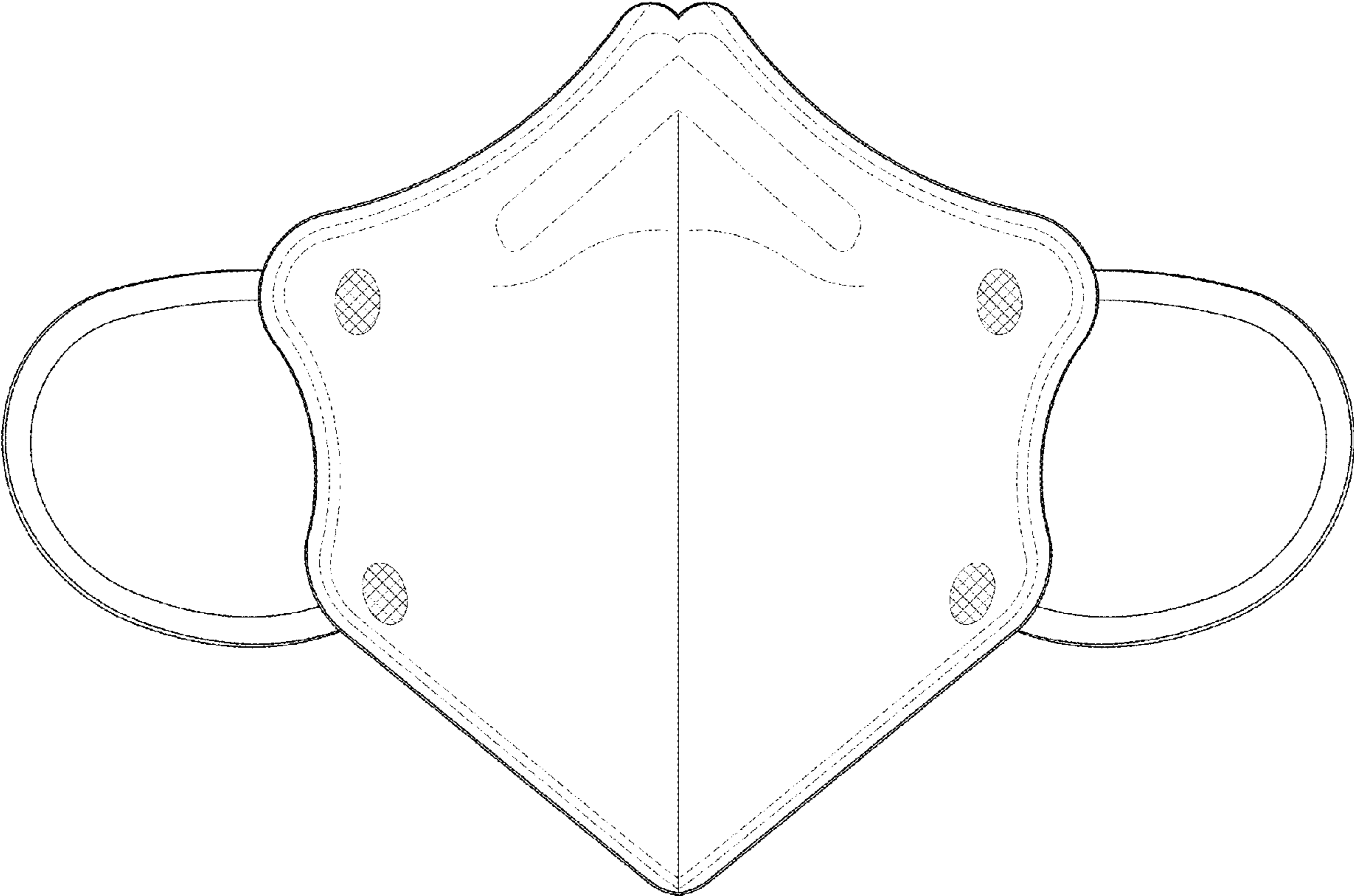


FIG. 3

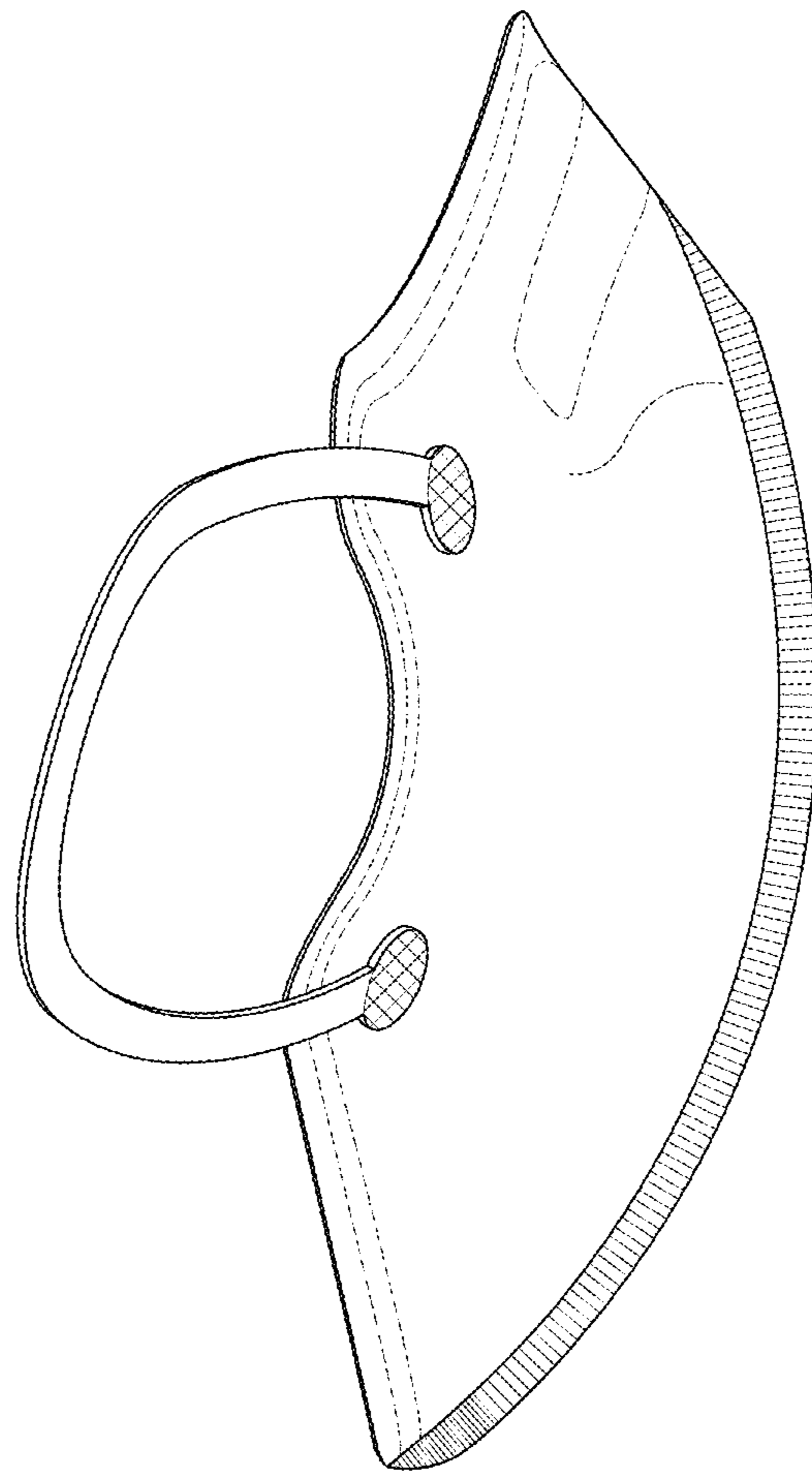


FIG. 4

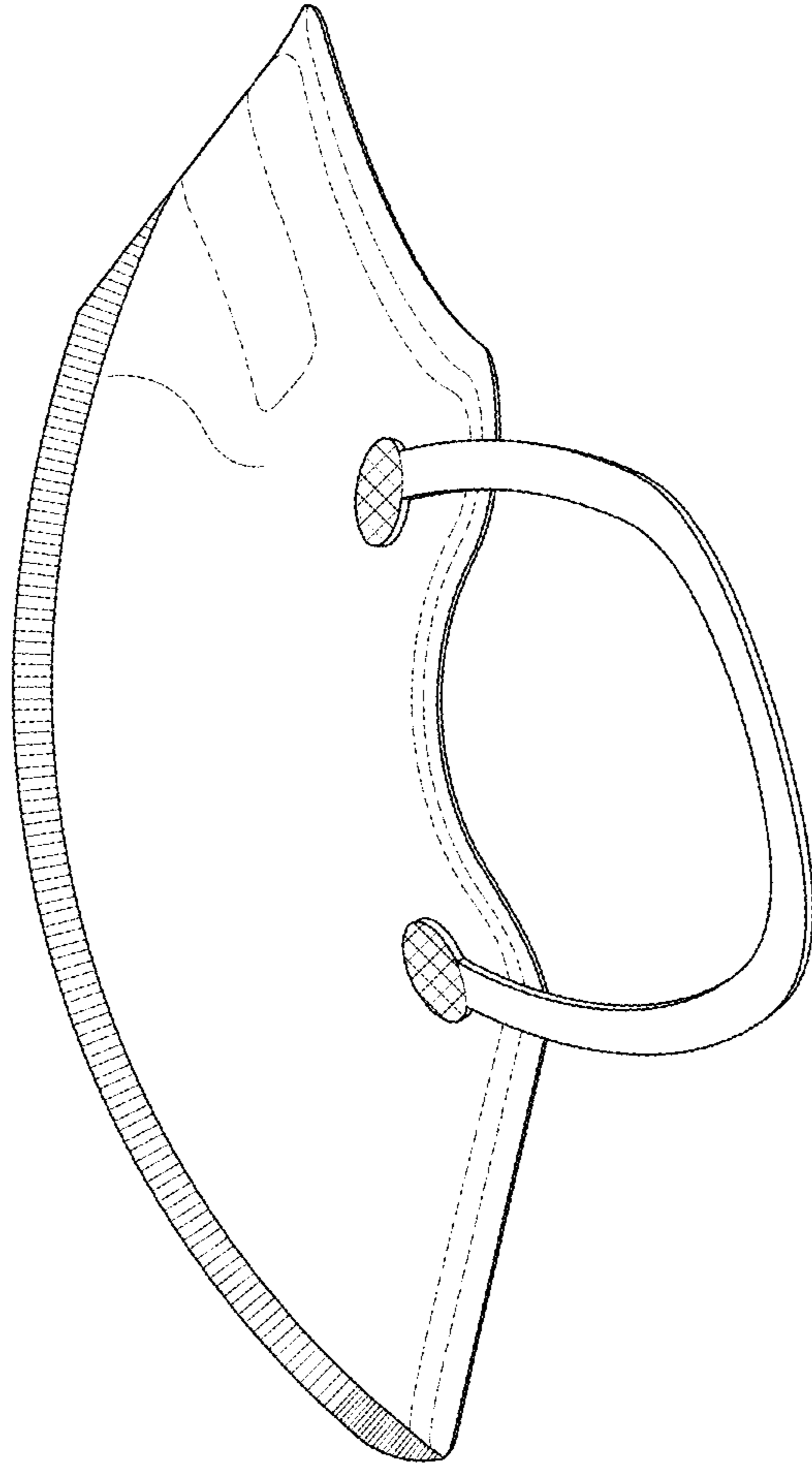


FIG. 5

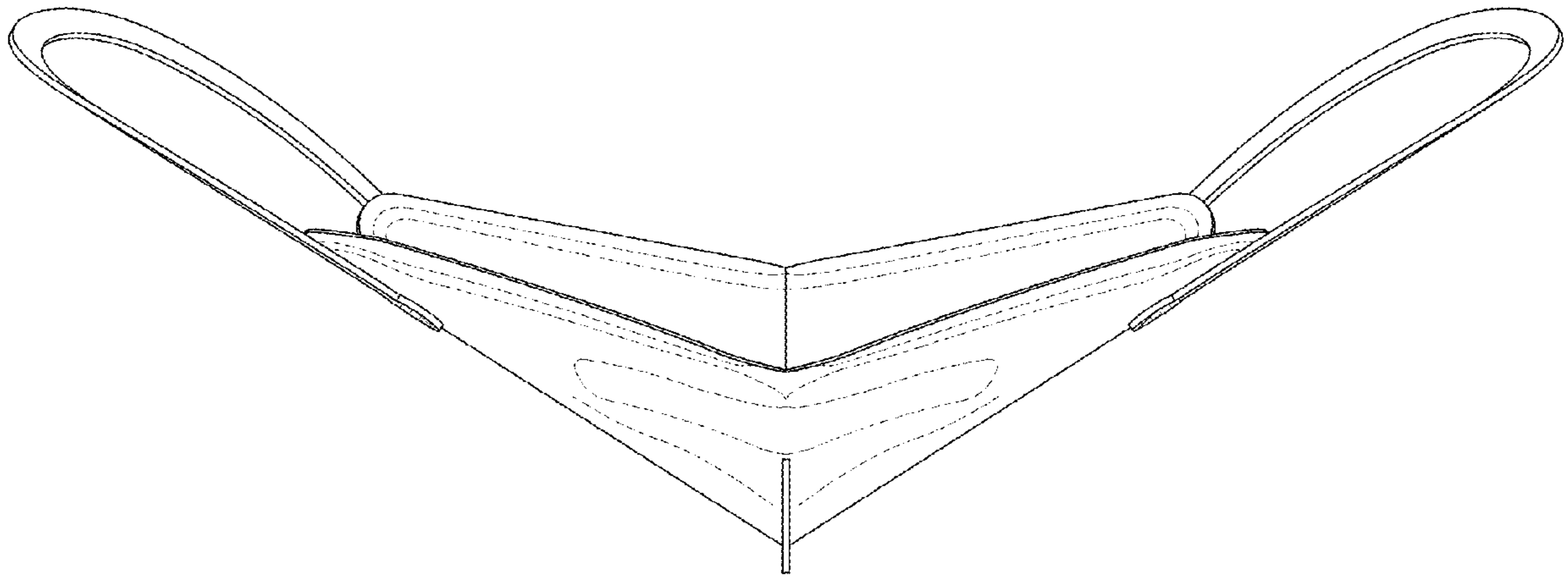


FIG. 6

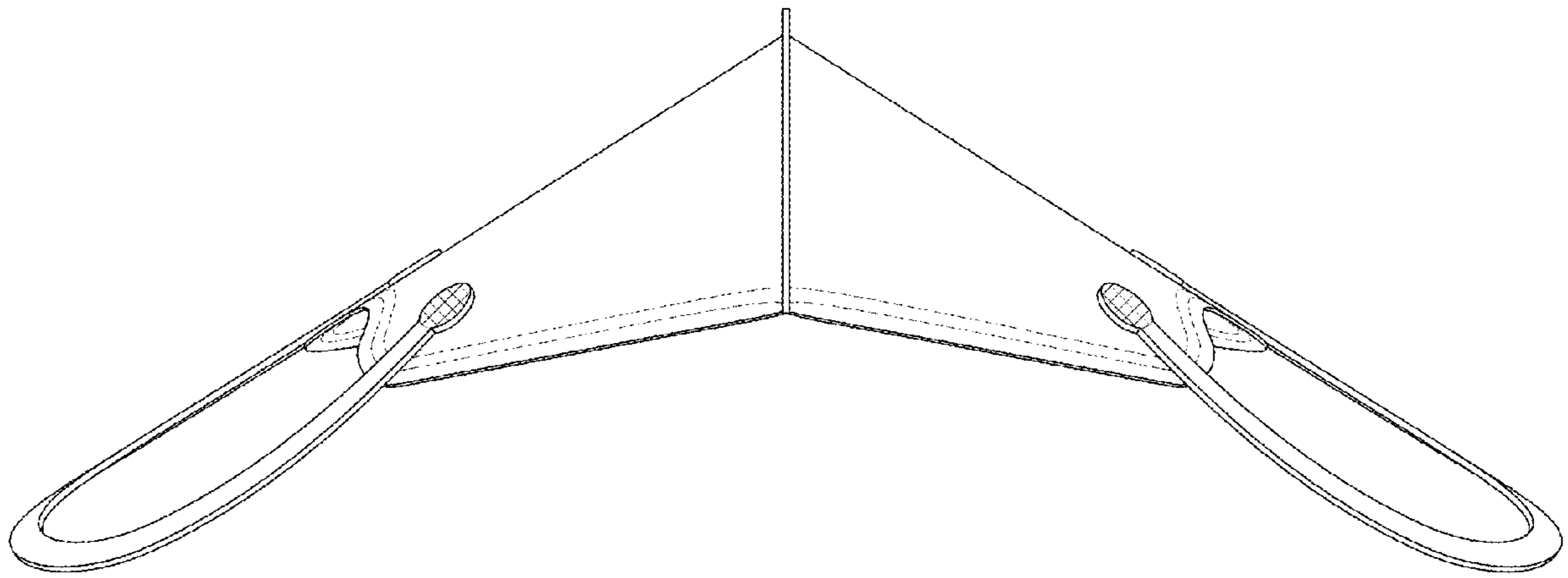


FIG. 7