



US00D952130S

(12) **United States Design Patent** (10) **Patent No.:** **US D952,130 S**
Danford (45) **Date of Patent:** **** May 17, 2022**

(54) **MASK INSERT**
(71) Applicant: **TrainingMask L.L.C.**, Cadillac, MI (US)
(72) Inventor: **Casey Danford**, Cadillac, MI (US)
(73) Assignee: **TRAININGMASK L.L.C.**, Cadillac, MI (US)
(**) Term: **15 Years**
(21) Appl. No.: **29/707,675**
(22) Filed: **Sep. 30, 2019**
(51) **LOC (13) Cl.** **29-02**
(52) **U.S. Cl.**
USPC **D24/110.1**; D29/108
(58) **Field of Classification Search**
USPC D24/110, 110.1-110.6, 122, 162, 164, D24/216, 232; D29/108; D23/209, 365; D32/31
CPC . A41D 13/11; A41D 13/1107; A41D 13/1115; A41D 13/1123; A41D 13/113; A41D 13/1138; A41D 13/1146; A41D 13/1153; A41D 13/1161; A41D 13/1169; A41D 13/1176; A61M 16/06; A62B 18/00; A62B 18/02; A62B 18/025; A62B 23/00
See application file for complete search history.

5,167,819 A 12/1992 Iana et al.
5,749,368 A 5/1998 Kase
5,848,589 A 12/1998 Welnetz
D416,308 S * 11/1999 Ward D23/209
D421,649 S * 3/2000 Cappuyns D23/365
6,070,578 A 6/2000 Baughman et al.
D440,302 S 4/2001 Wolfe
D449,103 S * 10/2001 Legare D24/110.2
6,471,621 B2 10/2002 Horstel et al.
6,554,746 B1 4/2003 McConnell et al.
6,606,751 B1 8/2003 Kalhok et al.
6,644,308 B2 11/2003 Kalhok et al.
6,718,969 B1 4/2004 Rubin et al.
D520,351 S * 5/2006 Alkalay D8/382
D561,348 S * 2/2008 Zinger D24/231
D562,446 S * 2/2008 Chu D24/110.4

(Continued)

FOREIGN PATENT DOCUMENTS

CN 306828134 * 9/2021
Primary Examiner — Richard Kearney
Assistant Examiner — Michael Hoffman
(74) *Attorney, Agent, or Firm* — Greenberg Traurig, LLP

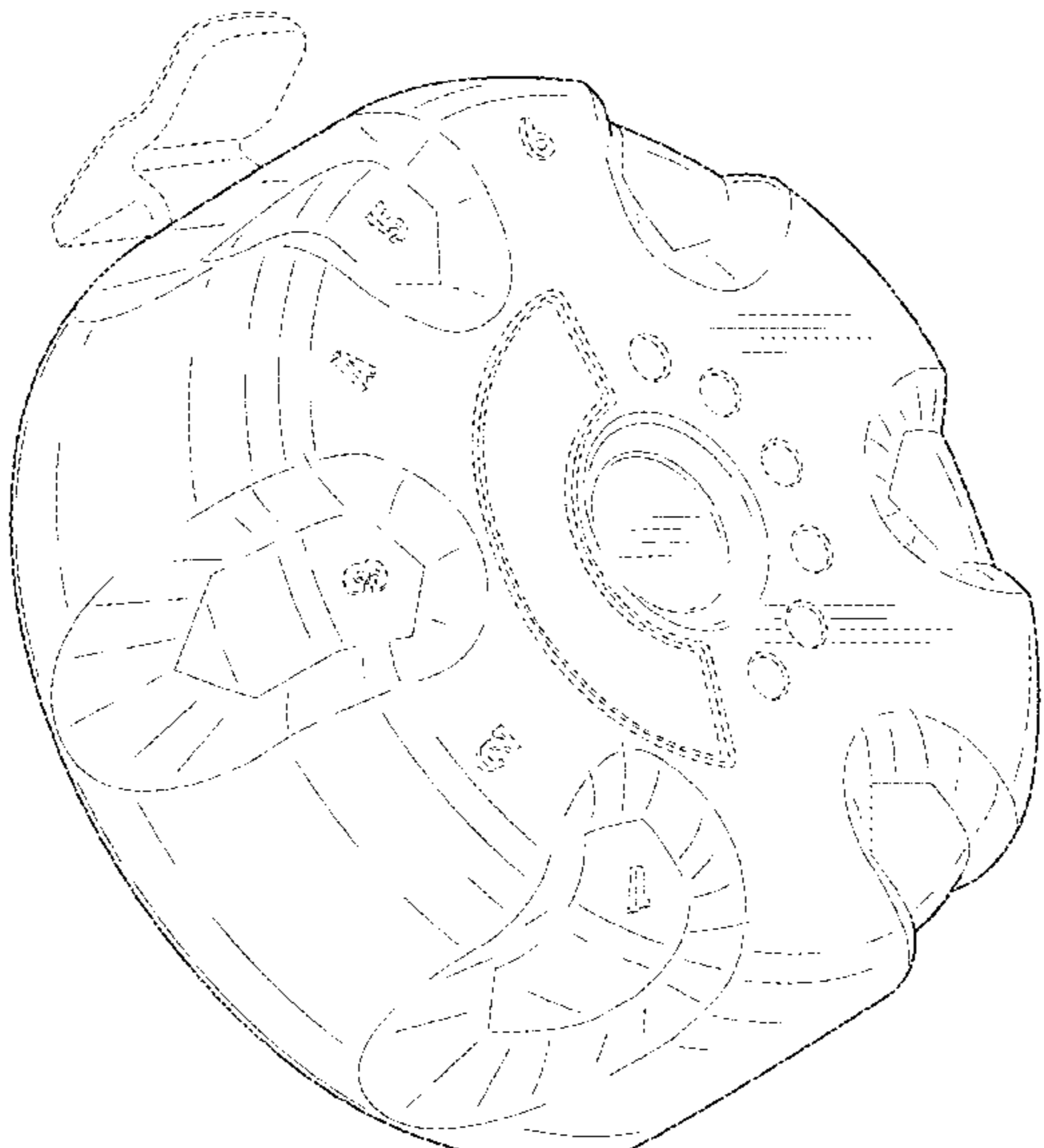
(57) **CLAIM**
The ornamental design for a mask insert, as shown and described.

DESCRIPTION

FIG. 1 is a top perspective view of a first embodiment of a mask insert showing my new design;
FIG. 2 is a bottom perspective view thereof;
FIG. 3 is a front elevational view thereof;
FIG. 4 is a rear elevational view thereof;
FIG. 5 is a left side elevational view thereof;
FIG. 6 is right side elevational view thereof;
FIG. 7 is a top plan view thereof; and,
FIG. 8 is a bottom plan view thereof.
The broken lines shown in the drawings illustrate portions of the mask insert and form no part of the claimed design.

1 Claim, 6 Drawing Sheets

(56) **References Cited**
U.S. PATENT DOCUMENTS
3,097,642 A 7/1963 Russell
3,633,575 A 1/1972 Brumfield
3,850,171 A 11/1974 Ball et al.
4,064,876 A 12/1977 Mulchi
4,221,381 A 9/1980 Ericson
4,549,543 A 10/1985 Moon
4,739,987 A 4/1988 Nicholson
4,961,420 A 10/1990 Cappa et al.
4,973,047 A 11/1990 Norell



(56)

References Cited

U.S. PATENT DOCUMENTS

7,523,755 B2 4/2009 Richardson et al.
D645,956 S 9/2011 Grimsley
D669,980 S * 10/2012 Lev D24/129
8,365,734 B1 2/2013 Lehman
D681,192 S 4/2013 O'Souza et al.
8,590,533 B2 11/2013 Danford
D694,875 S 12/2013 O'Souza et al.
8,733,357 B2 5/2014 Sullivan, Jr.
D836,774 S * 12/2018 Ross D24/127
D838,361 S * 1/2019 Jenkins D24/121
D859,650 S * 9/2019 Steele D24/129
D862,681 S * 10/2019 Sutton D24/109
D883,476 S * 5/2020 Lofthouse D24/127
D933,157 S * 10/2021 Reinecker D23/209
2003/0005934 A1 1/2003 Japuntich et al.
2004/0146842 A1 7/2004 Carlucci et al.
2006/0201431 A1 9/2006 Peterson
2009/0320848 A1 12/2009 Steindorf et al.
2012/0103339 A1 5/2012 Koehler
2013/0319420 A1 12/2013 Danford
2016/0089553 A1 3/2016 Dickstein et al.
2020/0100076 A1 3/2020 Skaaksrud

* cited by examiner

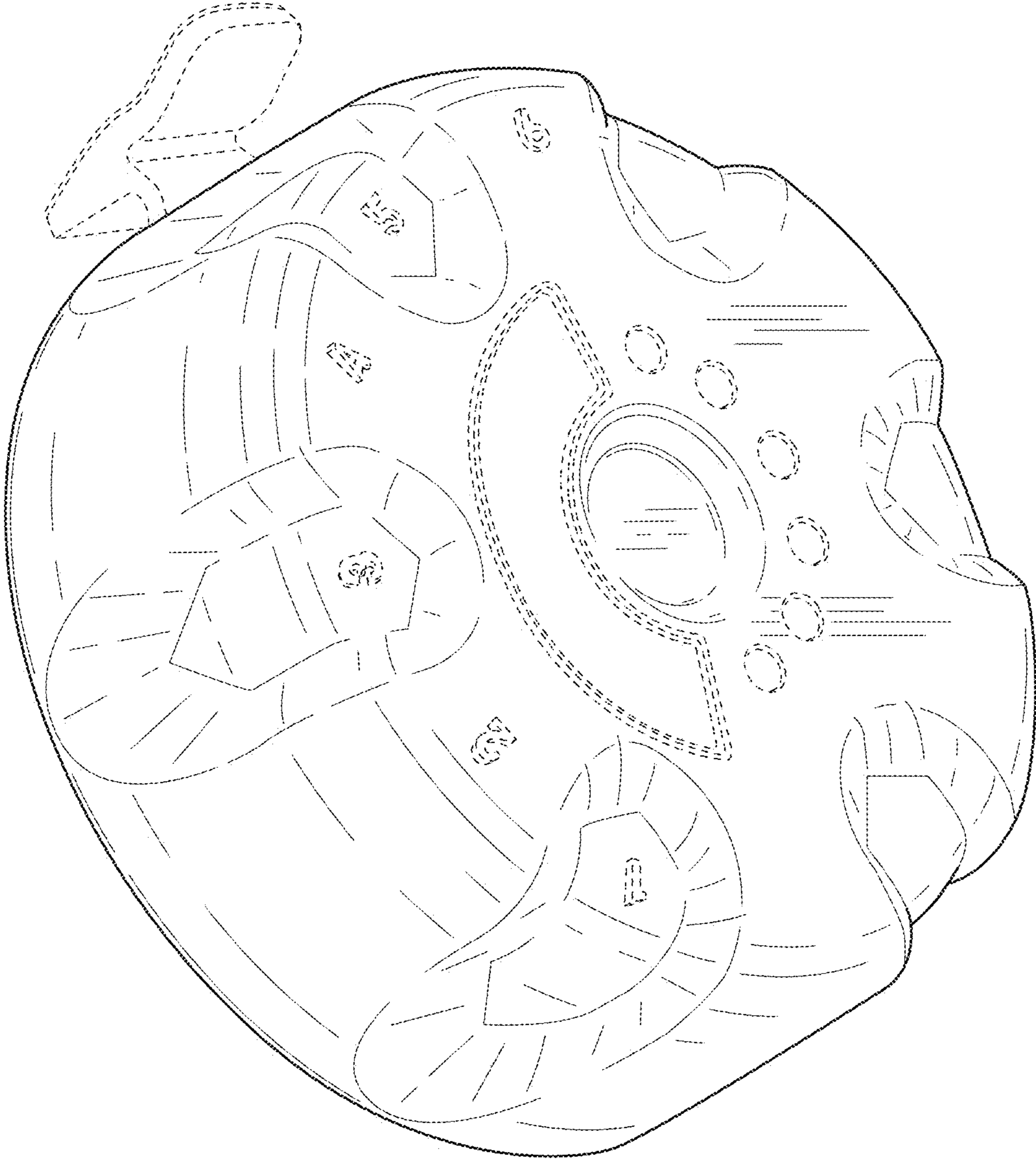


FIG. 1

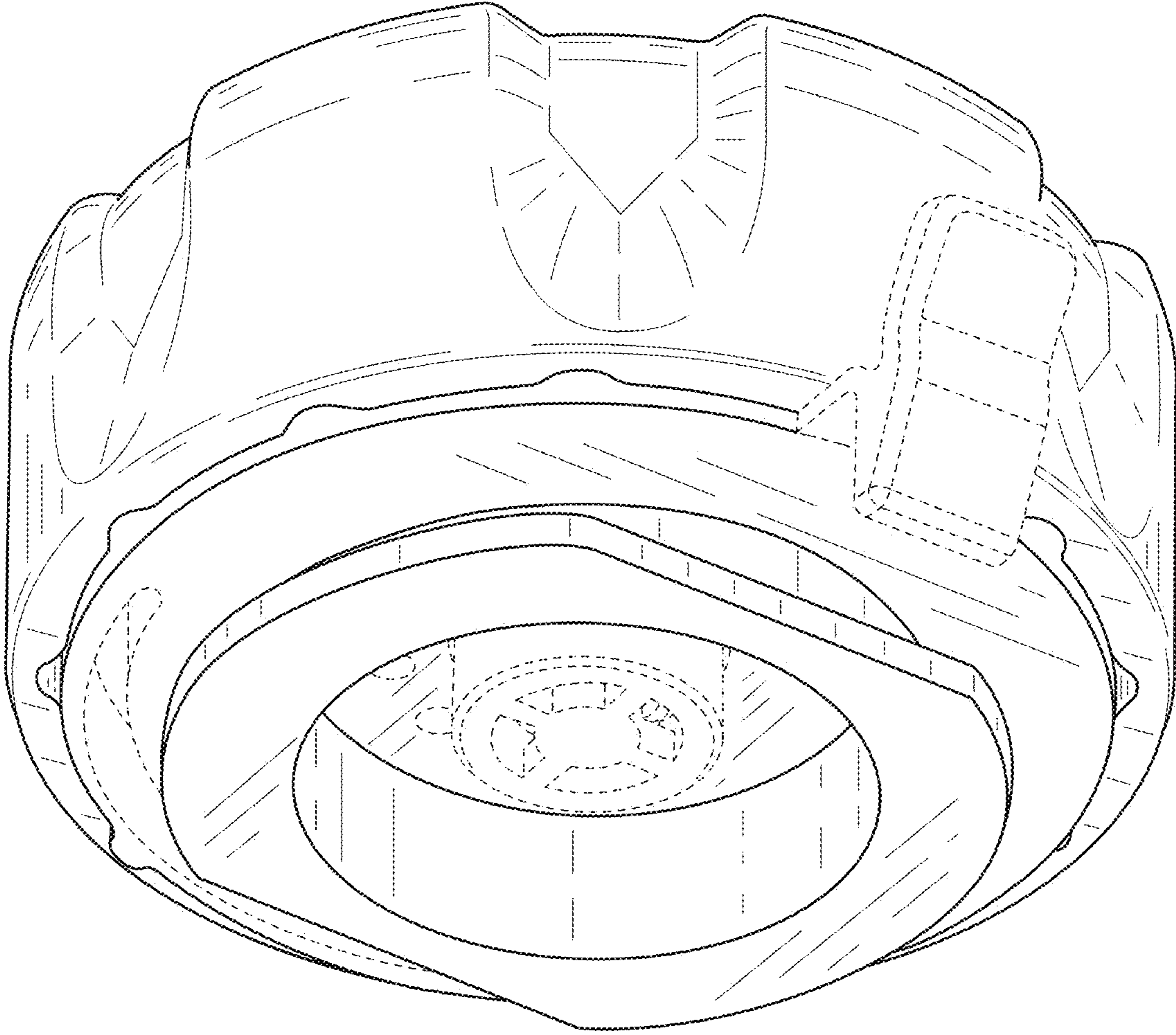


FIG. 2

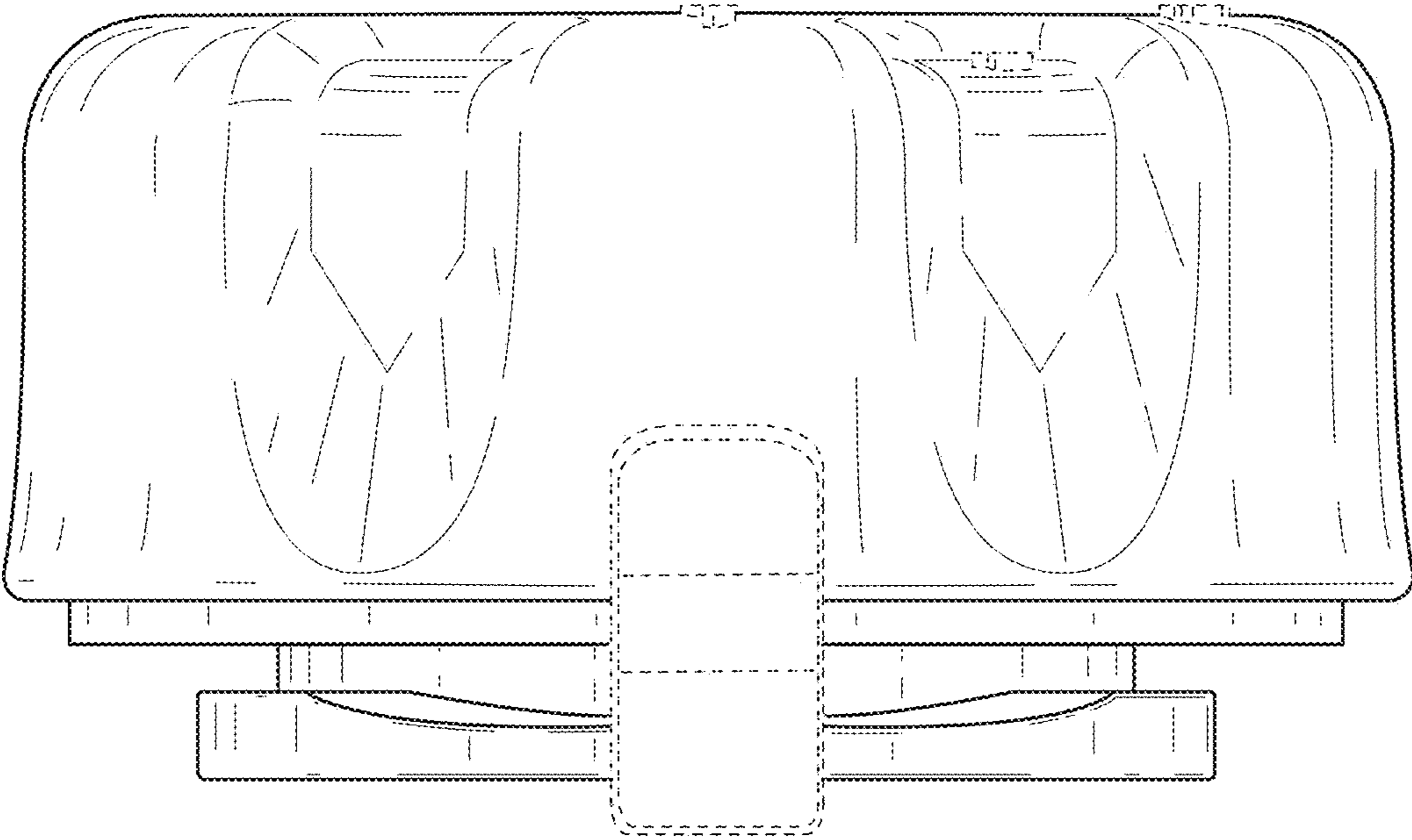


FIG. 3

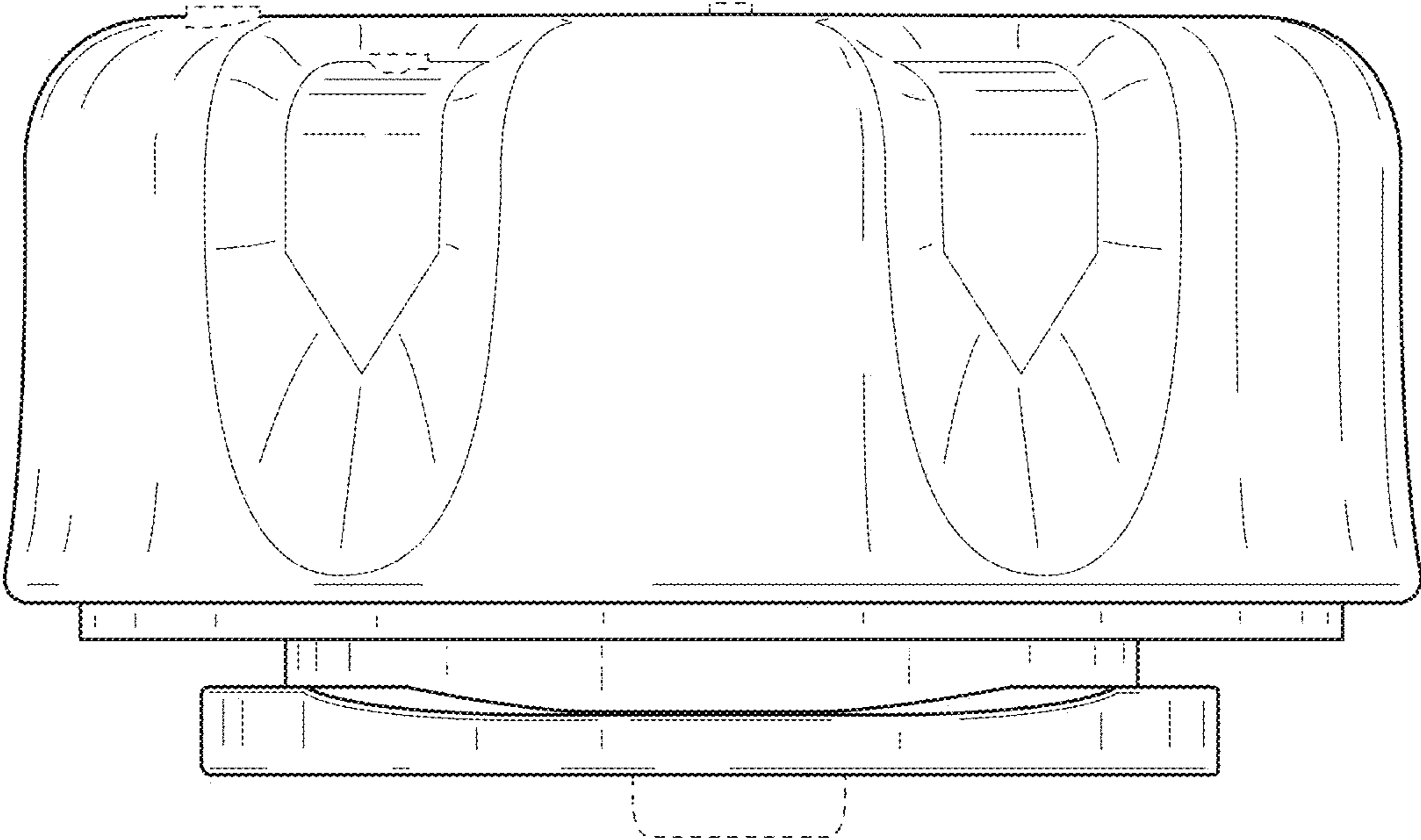


FIG. 4

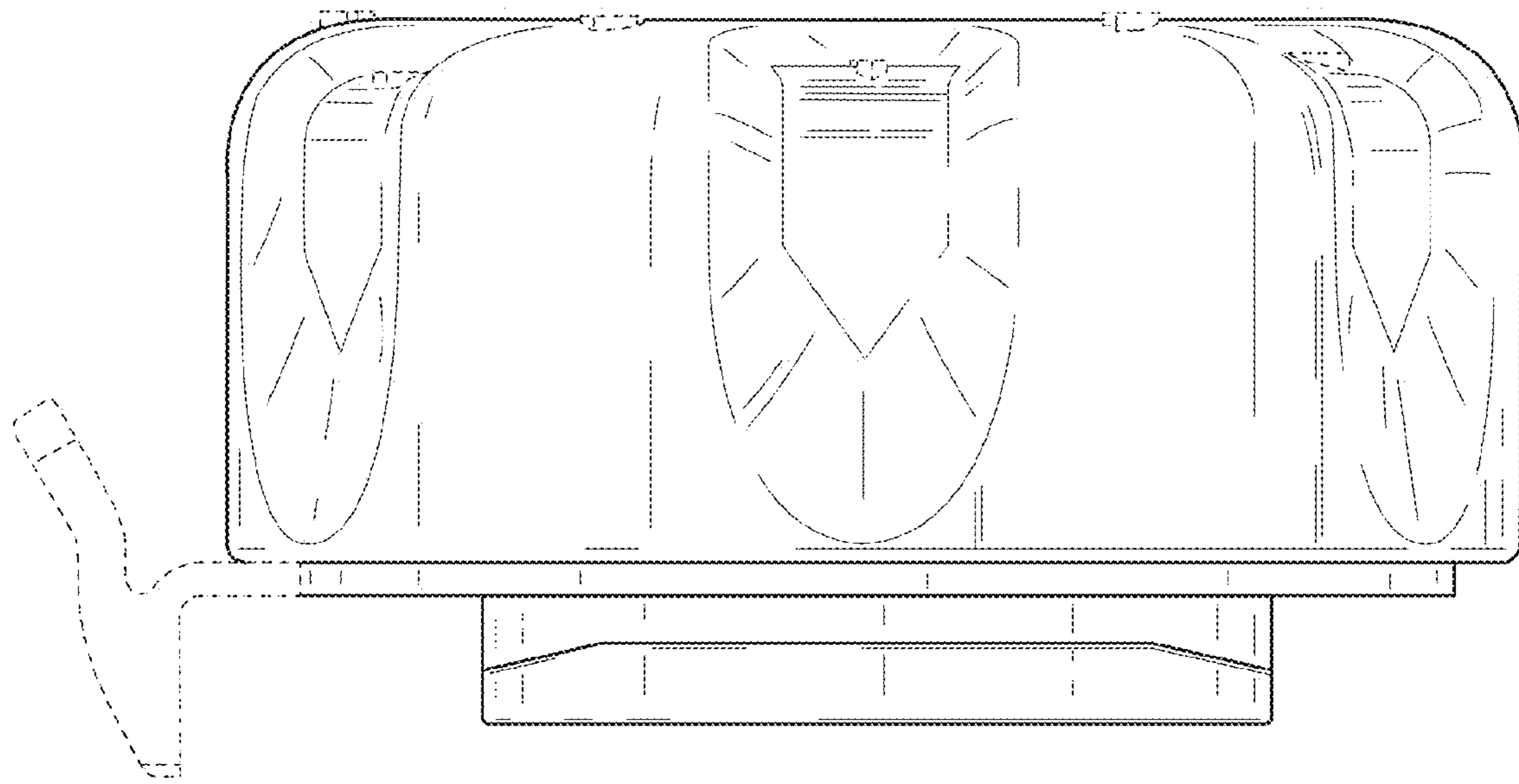


FIG. 5

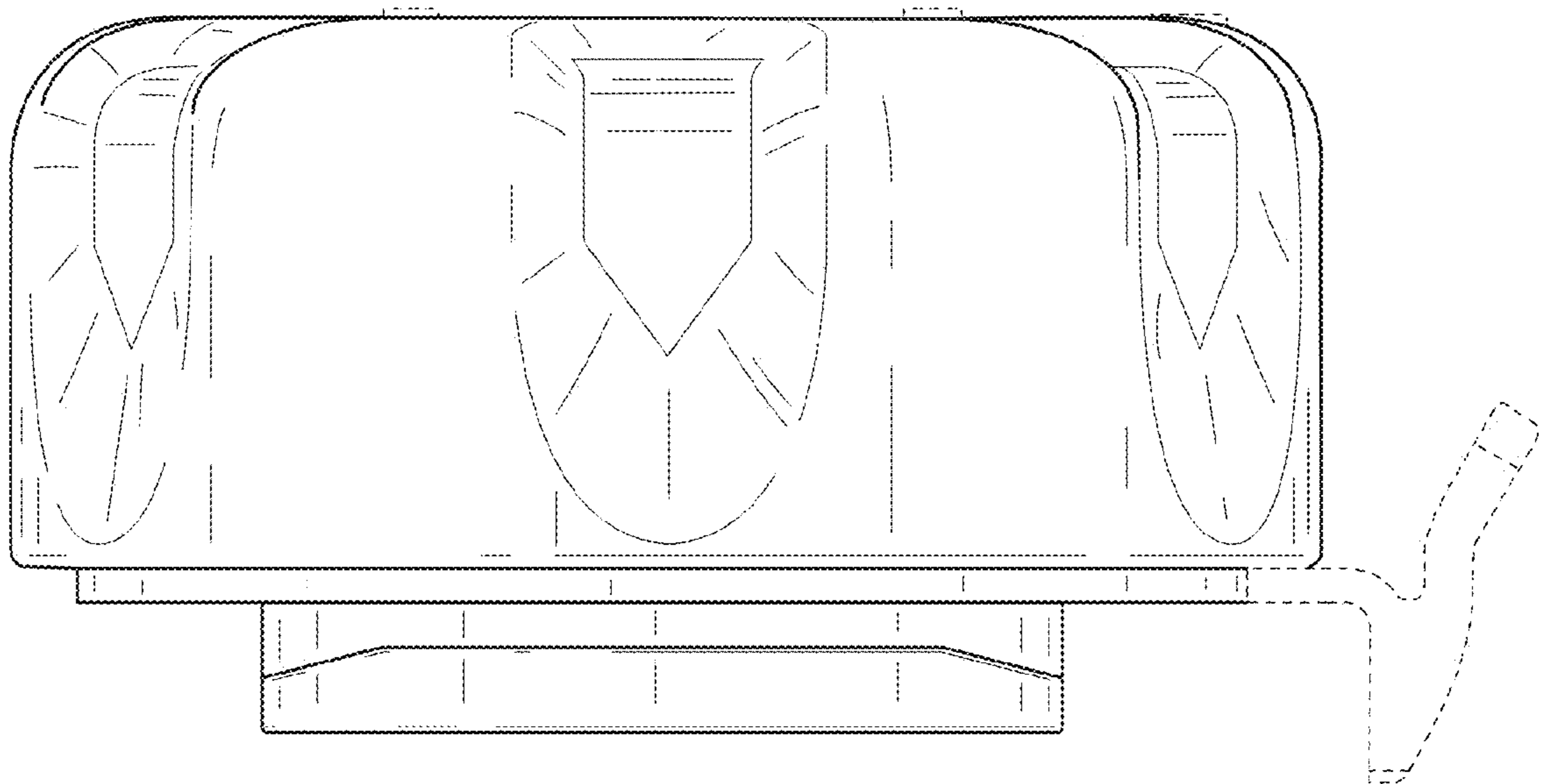


FIG. 6

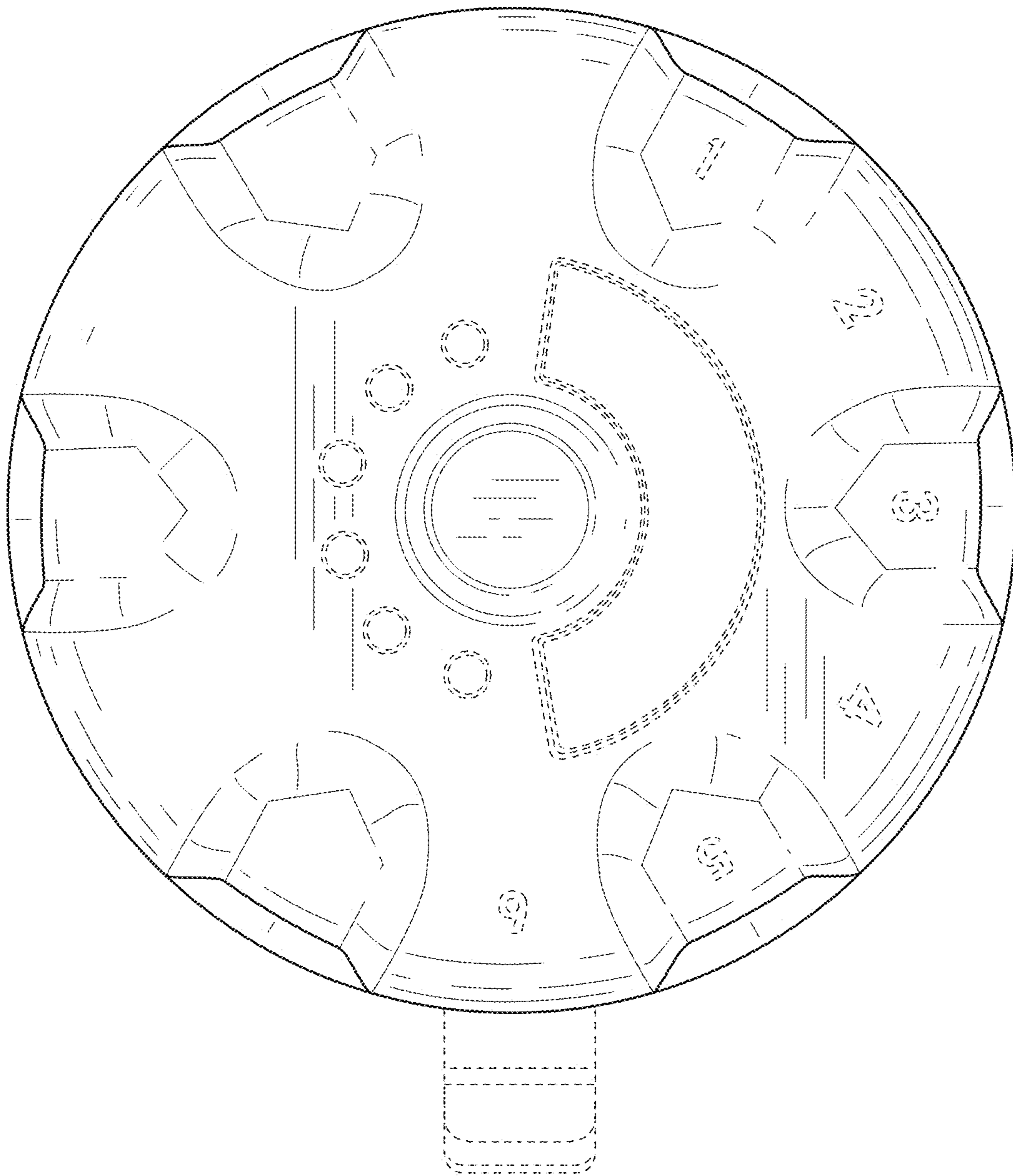


FIG. 7

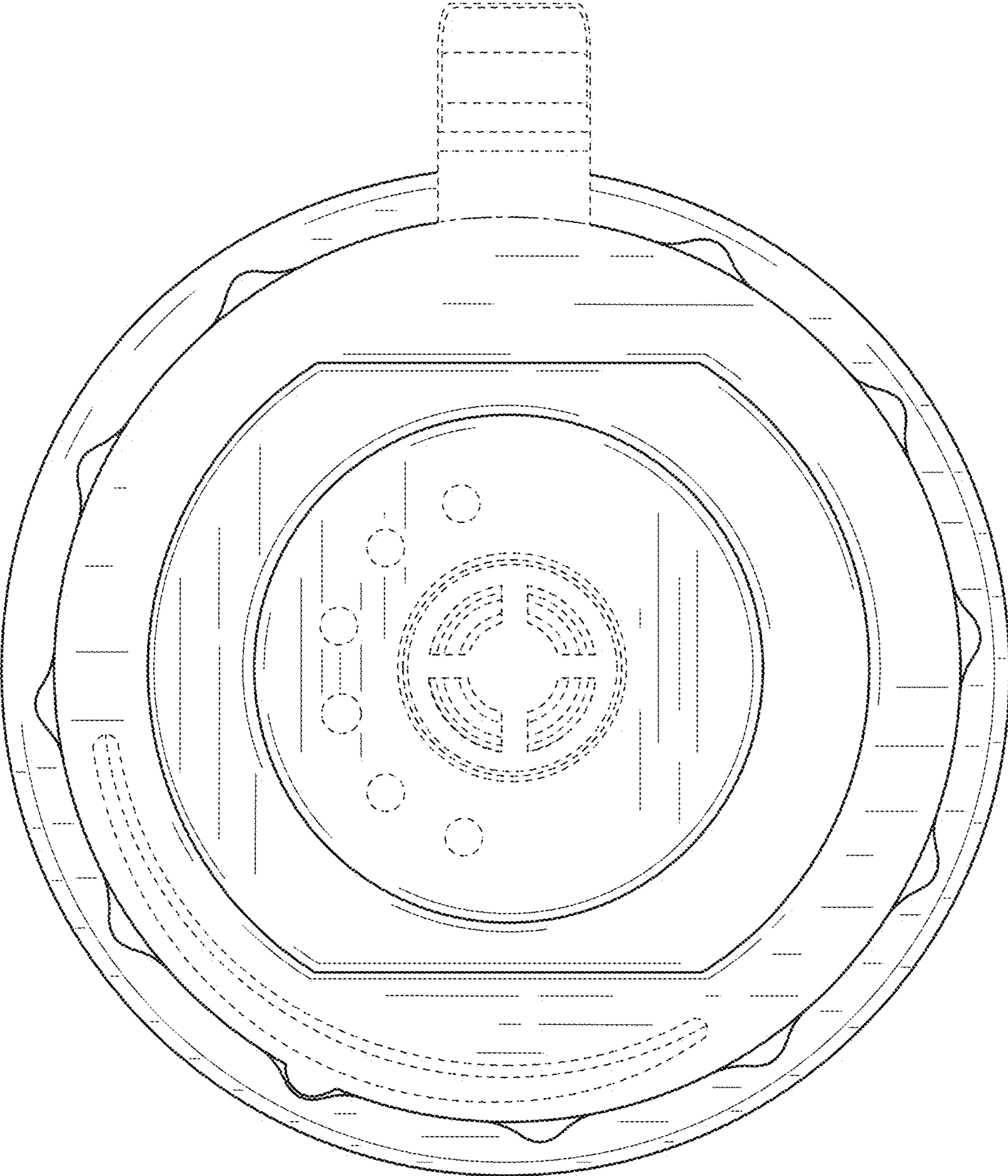


FIG. 8