



US00D952129S

(12) **United States Design Patent** (10) **Patent No.:** **US D952,129 S**
Lastow (45) **Date of Patent:** **** May 17, 2022**

(54) **INHALER**
(71) Applicant: **Iconovo AB**, Lund (SE)
(72) Inventor: **Orest Lastow**, Lund (SE)
(**) Term: **15 Years**

D739,522 S * 9/2015 Von Schuckmann D24/110
D789,517 S * 6/2017 Bhide D24/110
D805,930 S * 12/2017 Ou D10/72
D869,636 S * 12/2019 Castellucci D24/110
D877,322 S * 3/2020 Jackson D24/110
2013/0255679 A1* 10/2013 Andrade A61M 15/0028
128/203.15

(21) Appl. No.: **35/510,294**
(22) Filed: **Mar. 9, 2020**

FOREIGN PATENT DOCUMENTS

EP 3316947 A1 * 5/2018 E21B 33/138

* cited by examiner

(80) **Hague Agreement Data**
Int. Filing Date: **Mar. 9, 2020**
Int. Reg. No.: **DM/206860**
Int. Reg. Date: **Mar. 9, 2020**
Int. Reg. Pub. Date: **Sep. 18, 2020**

Primary Examiner — Calvin E Vansant

(57) **CLAIM**

The ornamental design for an inhaler, as shown and described.

(51) **LOC (13) Cl.** **29-02**
(52) **U.S. Cl.**

DESCRIPTION

USPC **D24/110**
(58) **Field of Classification Search**
USPC D24/110, 110.1, 110.5, 133
CPC A61M 15/002; A61M 15/009; A61M
15/0065; A61M 15/0086; A61M 15/0091;
A61M 2202/0007; A61M 11/00; A61M
2205/586; A61M 2205/3331
See application file for complete search history.

The patent or application file contains at least one drawing executed in color. Copies of this patent or patent application publication with color drawing(s) will be provided by the Office upon request and payment of the necessary fee.

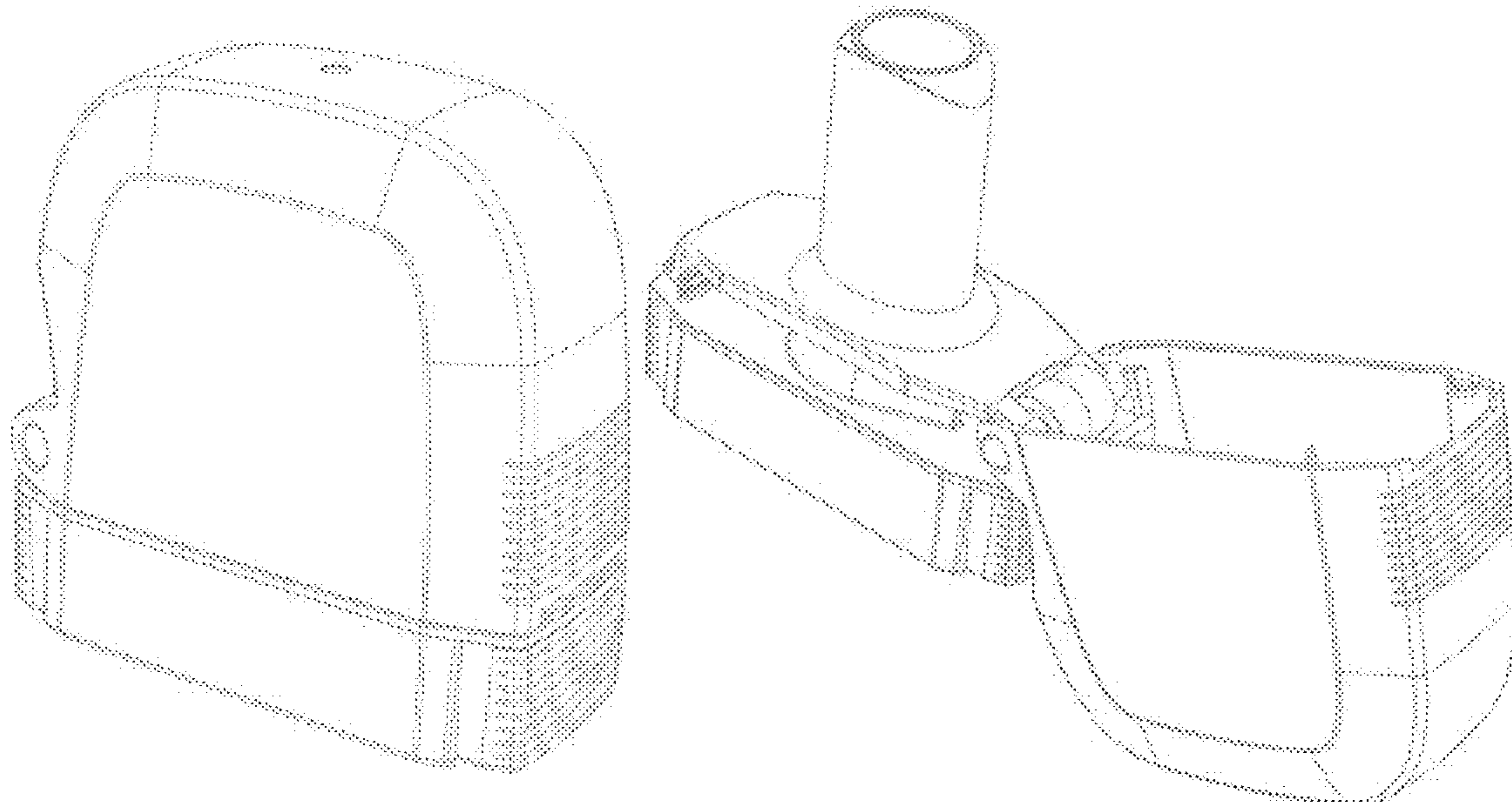
- 1.-4. Inhaler
- 1.1: Front left perspective view
- 1.2: Back right perspective view
- 1.3 : Bottom left perspective view
- 2.1: Front left perspective view
- 2.2: Back right perspective view
- 2.3: Bottom left perspective view
- 3.1: Front left perspective view
- 3.2 : Back right perspective view in an open position
- 3.3 : Bottom left perspective view in an open position
- 4.1 : Front left perspective view in an open position
- 4.2: Back right perspective view in an open position
- 4.3 : Bottom left perspective view in an open position

(56) **References Cited**

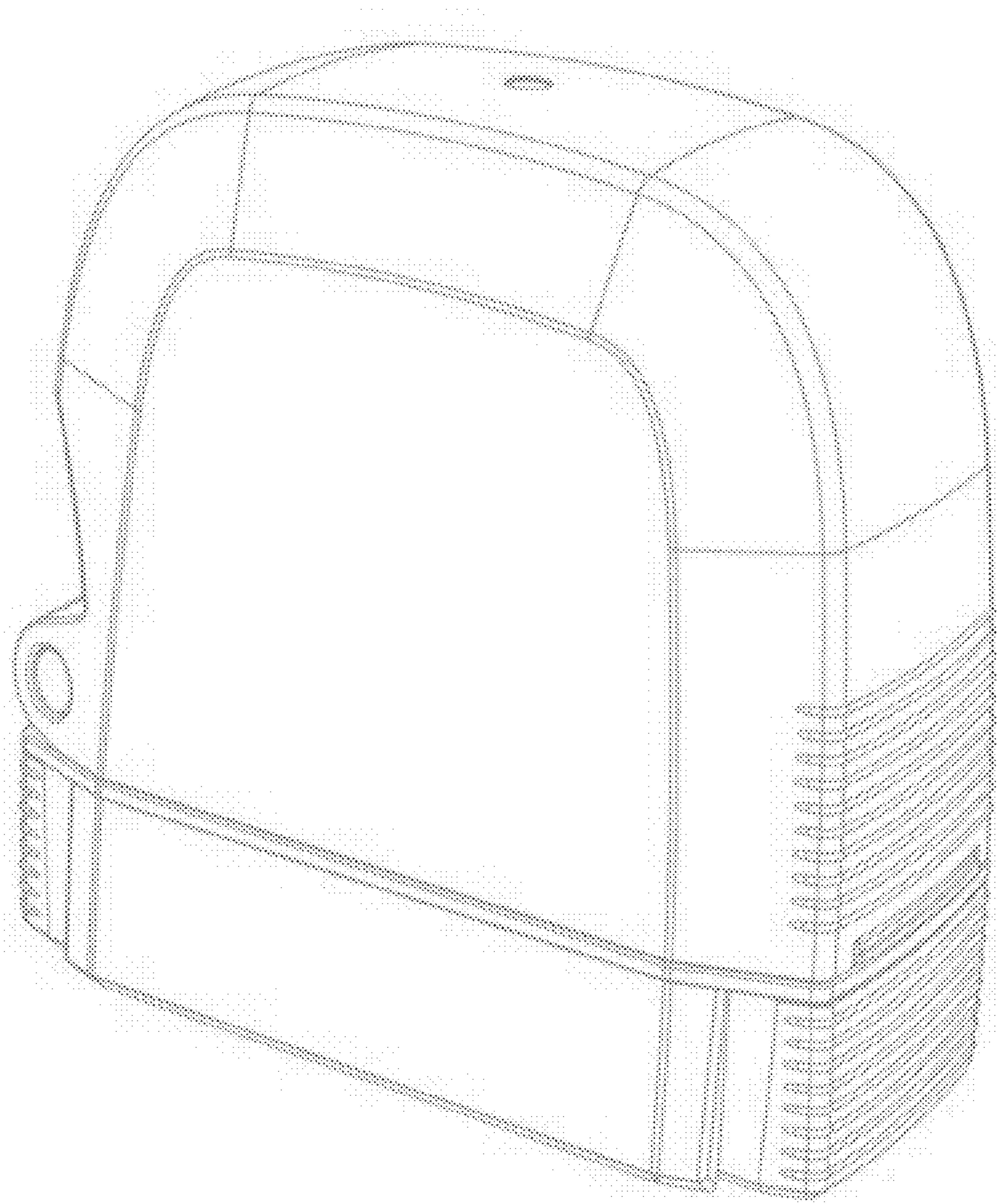
U.S. PATENT DOCUMENTS

D379,506 S * 5/1997 Maher D24/110
D423,958 S * 5/2000 Caplan D10/72
D527,816 S * 9/2006 Nishibayashi D24/110
D528,654 S * 9/2006 Nishibayashi D24/110
D559,712 S * 1/2008 Critelli D10/72
D560,793 S * 1/2008 Pearl D24/110
D613,396 S * 4/2010 Nakao D24/110
D683,844 S * 6/2013 Andrade D24/110
D717,425 S * 11/2014 Von Schuckmann D24/110

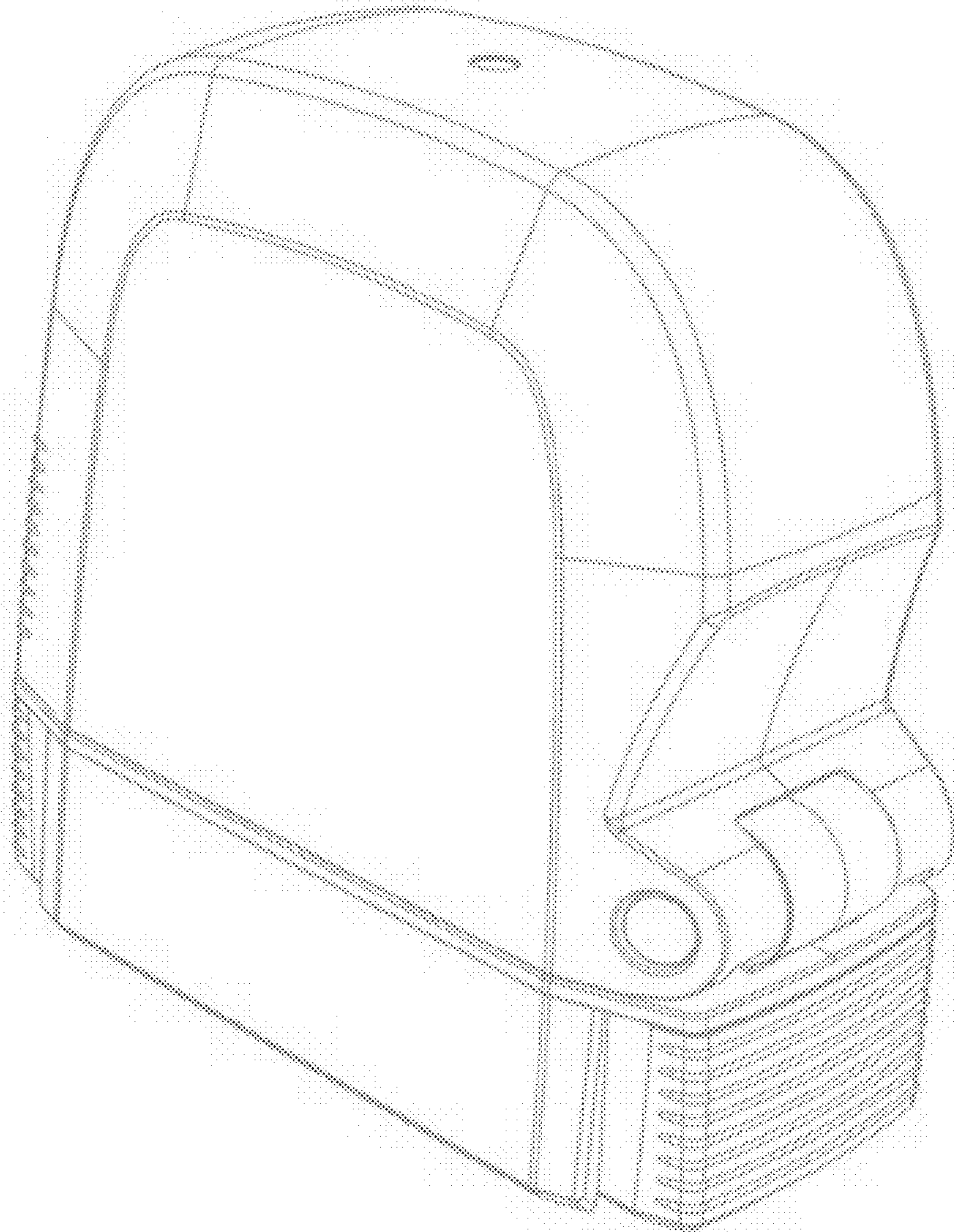
1 Claim, 12 Drawing Sheets
(6 of 12 Drawing Sheet(s) Filed in Color)



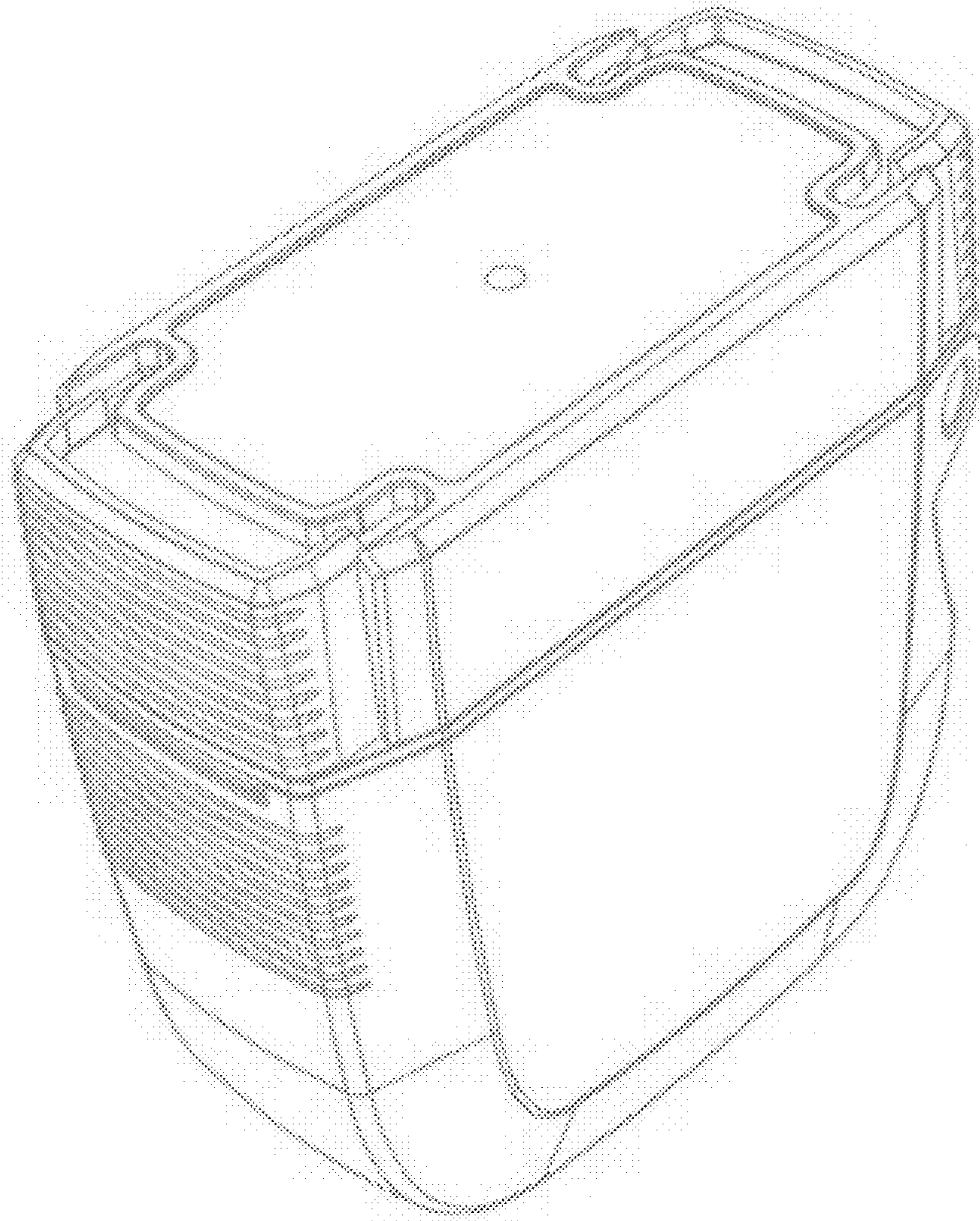
1.1



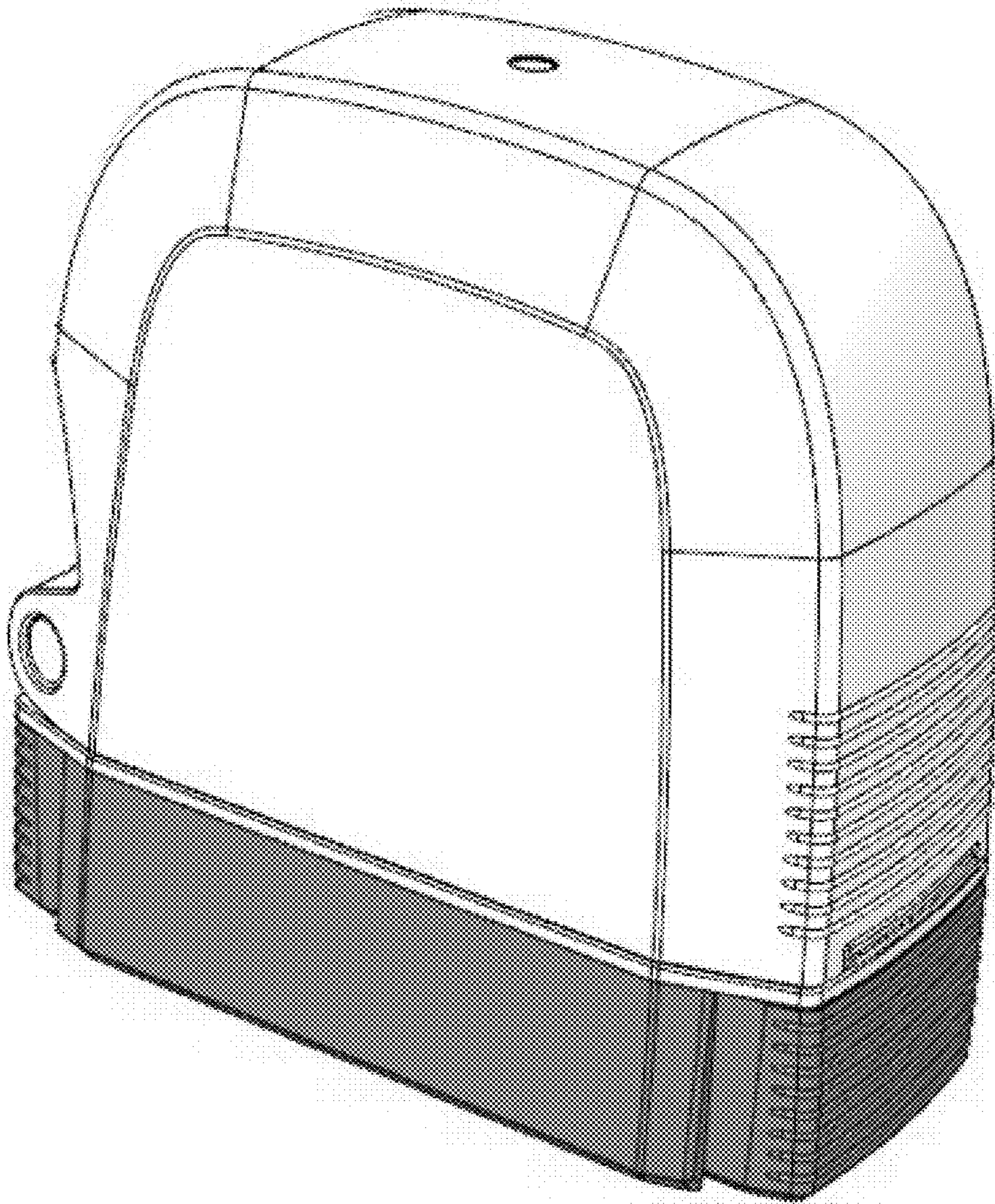
1.2



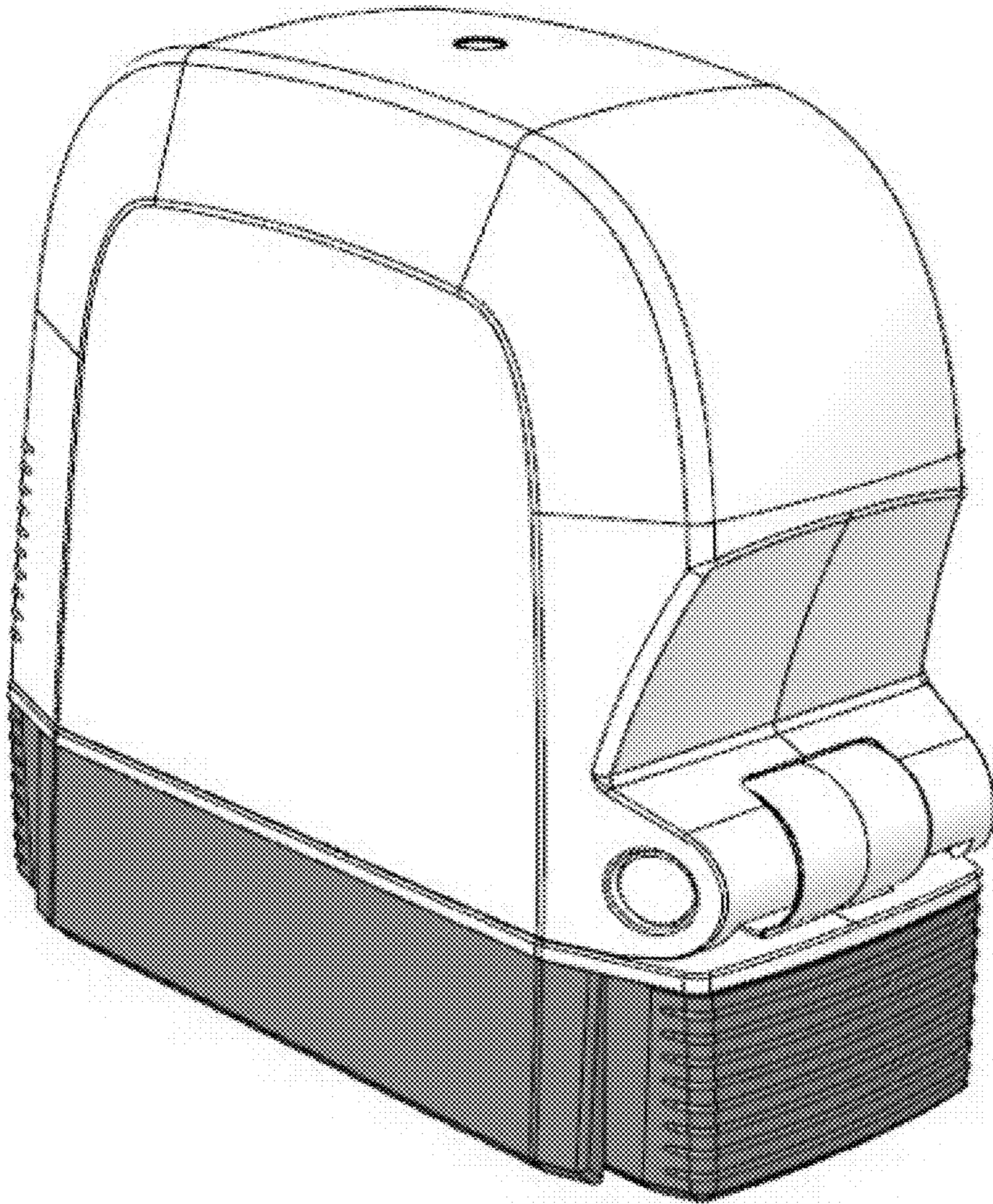
1.3



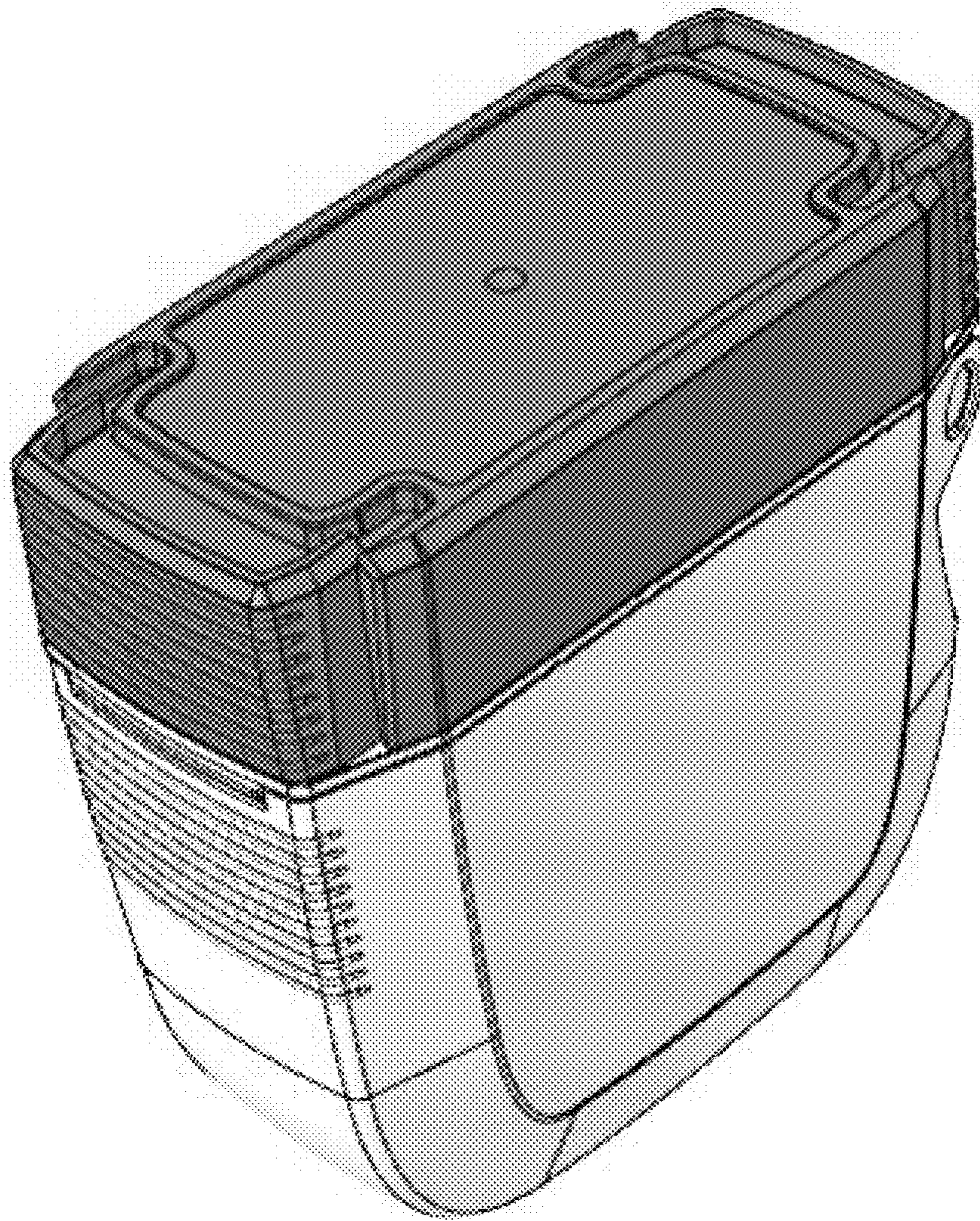
2.1



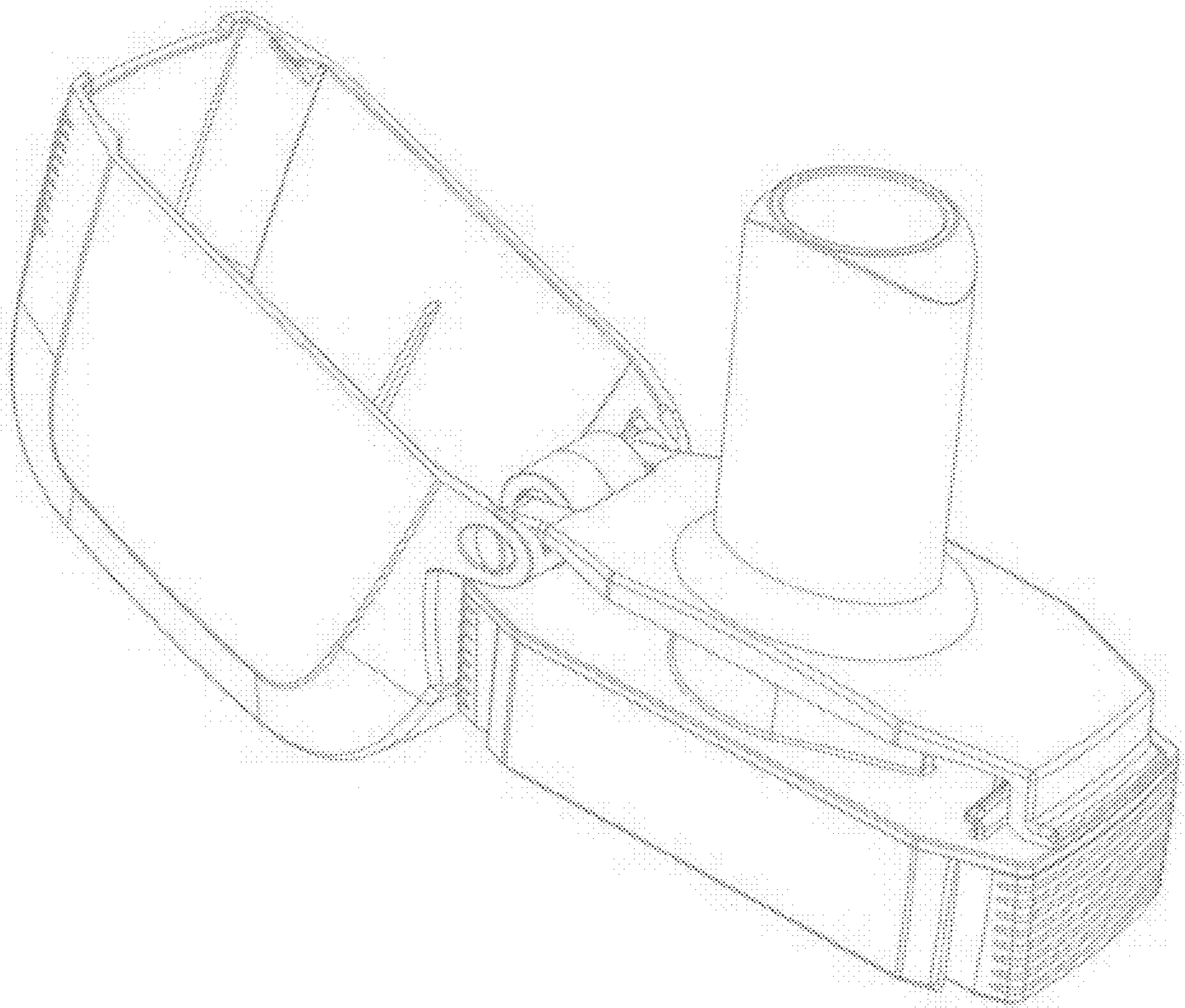
2.2



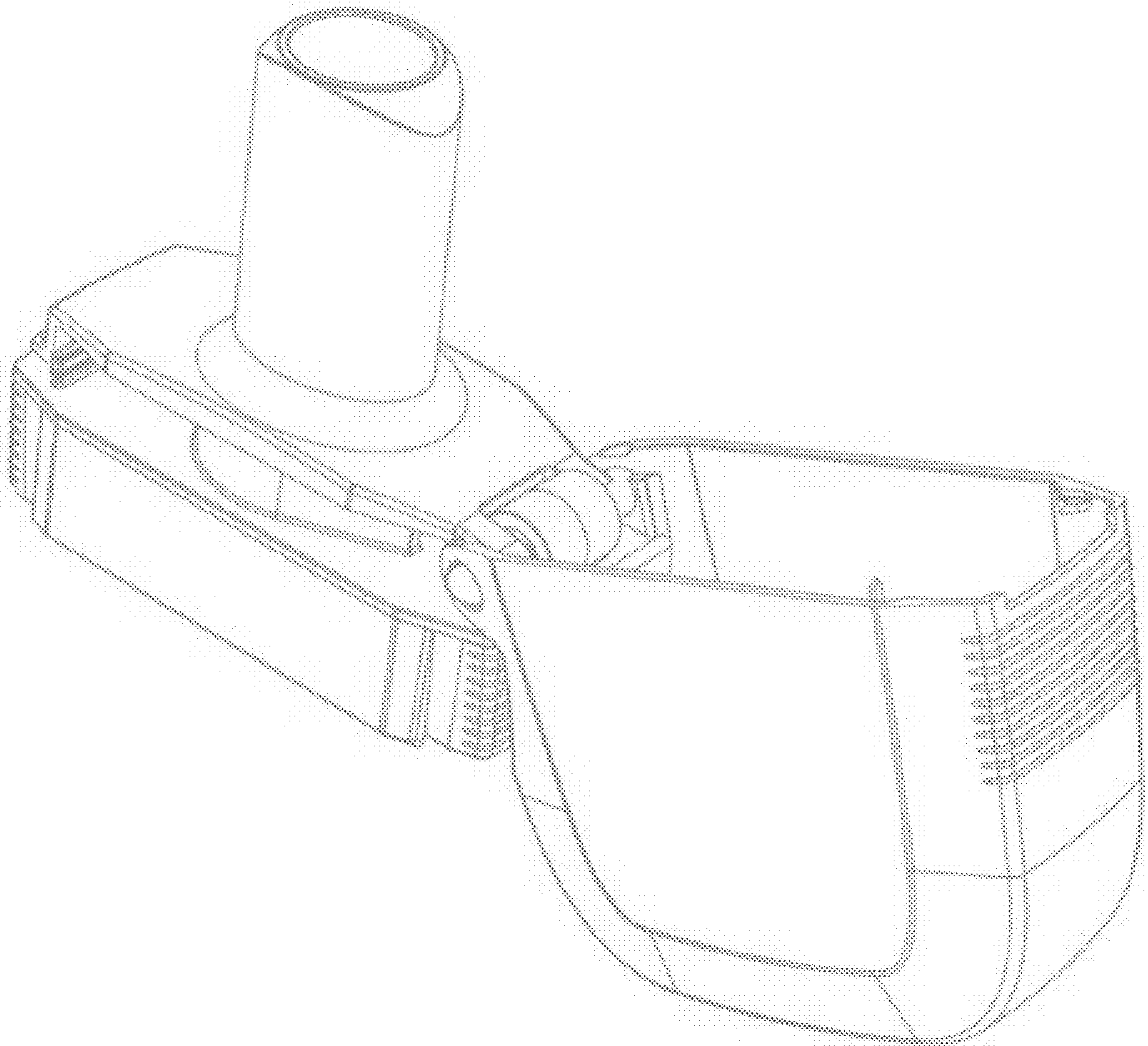
2.3



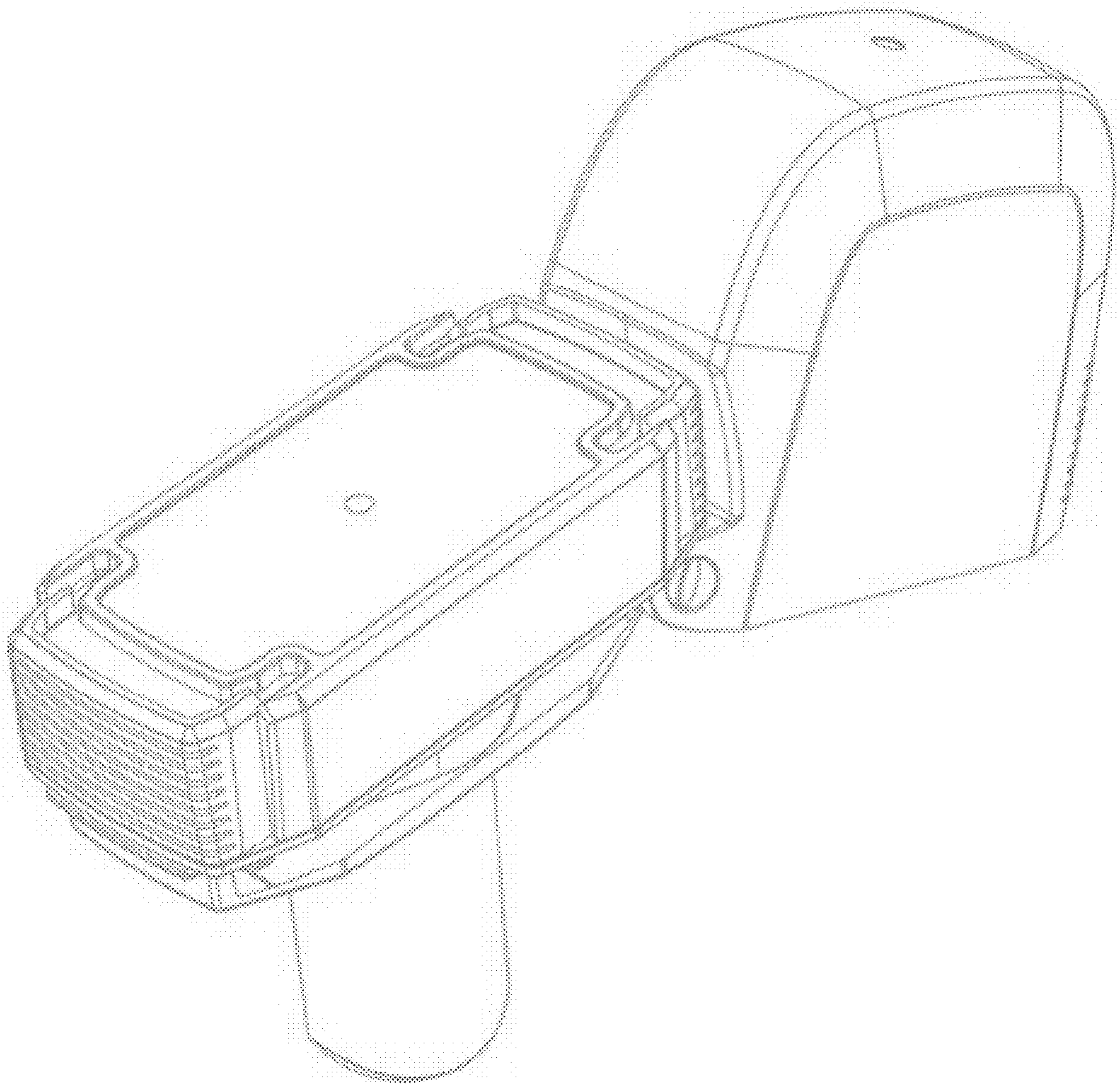
3.1



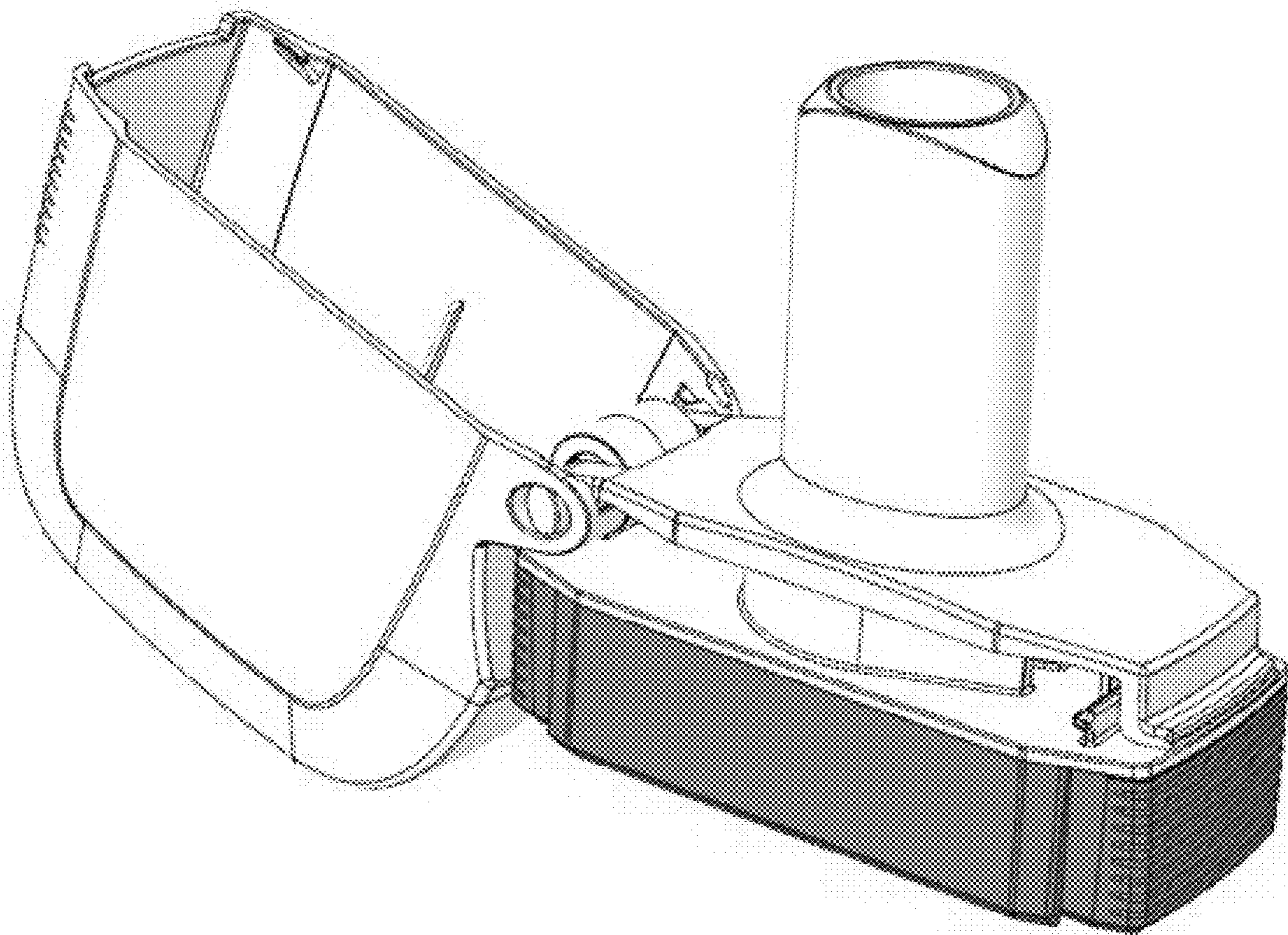
3.2



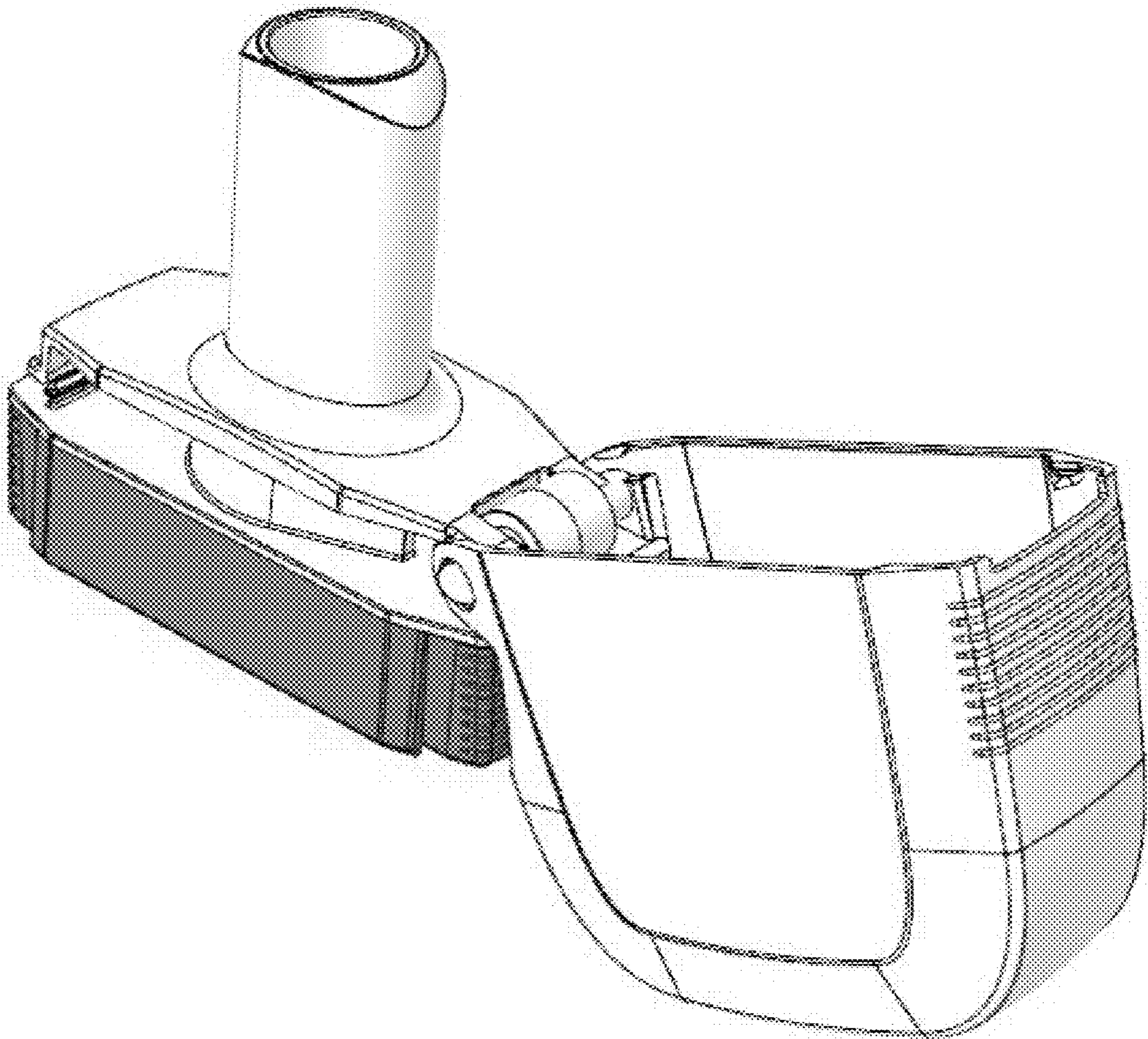
3.3



4.1



4.2



4.3

