



US00D952126S

(12) **United States Design Patent** (10) **Patent No.:** **US D952,126 S**
Schulzman (45) **Date of Patent:** **** May 17, 2022**

- (54) **CEILING FAN HOUSING**
- (71) Applicant: **Minka Lighting, Inc.**, Corona, CA (US)
- (72) Inventor: **Kurt Schulzman**, Long Beach, CA (US)
- (73) Assignee: **MINKA LIGHTING, INC.**, Corona, CA (US)
- (**) Term: **15 Years**
- (21) Appl. No.: **29/650,096**
- (22) Filed: **Jun. 4, 2018**

Related U.S. Application Data

- (63) Continuation-in-part of application No. 29/590,077, filed on Jan. 6, 2017, now abandoned.
- (51) **LOC (13) Cl.** **23-04**
- (52) **U.S. Cl.**
USPC **D23/411**
- (58) **Field of Classification Search**
USPC ... D26/59, 24, 118, 119, 121-124, 128-137;
D23/370, 377-382, 411-414
CPC F04D 25/088; F04D 29/38; F21V 21/03;
B63H 1/16
See application file for complete search history.

(56) **References Cited**

U.S. PATENT DOCUMENTS

- D125,317 S * 2/1941 Sabatini D26/88
- D215,093 S * 9/1969 Cone D15/144.1
- D227,469 S * 6/1973 Pickard D15/144.1
- D234,847 S * 4/1975 Hoffman D23/262
- D258,526 S * 3/1981 Nederman 285/148.19
- D315,612 S * 3/1991 Hughes D26/85
- D326,272 S * 5/1992 Nakao D15/144.1
- D326,273 S * 5/1992 Nakao D15/144.1

- D366,051 S * 1/1996 Lewis D15/138
- D384,181 S * 9/1997 Borden D26/110
- D406,332 S * 3/1999 Liu D23/411
- D536,439 S * 2/2007 Pickett D23/411
- D573,751 S * 7/2008 Citterio D26/71
- D616,966 S * 6/2010 Angell D23/262
- D627,869 S * 11/2010 Pan D23/377
- D632,780 S * 2/2011 Pan D23/411
- D691,246 S * 10/2013 Ward D23/262
- D705,921 S * 5/2014 Wang D23/385
- D706,407 S * 6/2014 Wang D23/385
- D709,175 S * 7/2014 Allen D23/385
- D744,634 S * 12/2015 Wang D23/411
- D767,112 S * 9/2016 Williams D23/386
- D771,795 S * 11/2016 Wang D23/411
- D773,634 S * 12/2016 Wang D23/385
- D778,422 S * 2/2017 Gajewski D23/377
- D779,052 S * 2/2017 Gajewski D23/411
- D779,093 S * 2/2017 Gajewski D26/59
- D784,510 S * 4/2017 Badarello D23/385
- D788,286 S * 5/2017 Busta D23/411

(Continued)

Primary Examiner — Janice Hallmark

(74) *Attorney, Agent, or Firm* — Seyfarth Shaw LLP

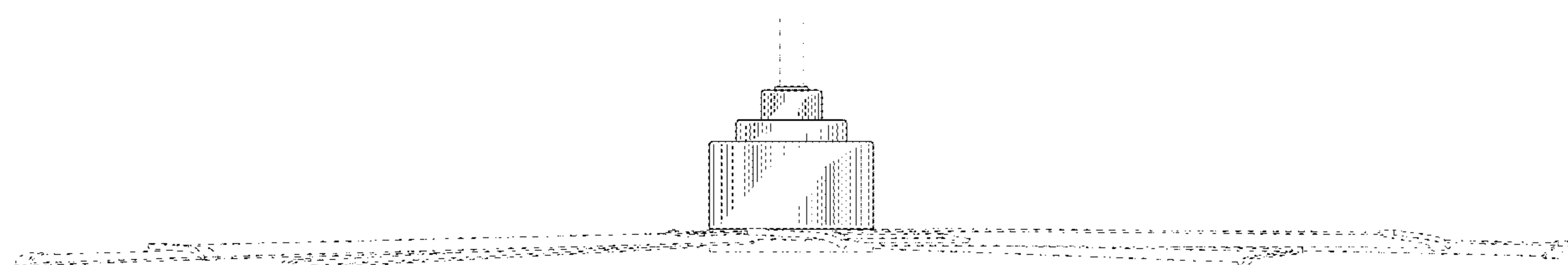
(57) **CLAIM**

The ornamental design for a ceiling fan housing, as shown and described.

DESCRIPTION

FIG. 1 is a perspective view of a ceiling fan housing in accordance with my design;
 FIG. 2 is a top plan view thereof;
 FIG. 3 is a bottom plan view thereof;
 FIG. 4 is a left elevation view thereof, the opposite side being a mirror image of that shown; and,
 FIG. 5 is a front elevation view thereof, the opposite side being a mirror image of that shown.
 The broken lines in the drawings illustrate environmental subject matter and form no part of the claimed design.

1 Claim, 4 Drawing Sheets



(56)

References Cited

U.S. PATENT DOCUMENTS

D795,412	S	*	8/2017	Schulzman	D23/377
D799,668	S	*	10/2017	Wang	D23/377
D802,114	S	*	11/2017	Busta	D23/377
D804,646	S	*	12/2017	Schulzman	D23/411
D806,226	S	*	12/2017	Gajewski	D23/411
D810,270	S	*	2/2018	Wang	D23/411
D831,187	S	*	10/2018	Schulzman	D23/377
D832,990	S	*	11/2018	Schulzman	D23/377
D834,696	S	*	11/2018	Schulzman	D23/377
D838,357	S	*	1/2019	Haggar	D23/411
D844,770	S	*	4/2019	Schulzman	D23/411
D857,874	S	*	8/2019	Hidalgo	D23/377
D860,428	S	*	9/2019	Orozco	D23/377
D860,429	S	*	9/2019	Orozco	D23/377
D861,155	S	*	9/2019	Badarello	D23/411
D894,364	S	*	8/2020	Schulzman	D23/377
D898,182	S	*	10/2020	Zhang	D23/411
D900,301	S	*	10/2020	Haggar	D23/411
D903,850	S	*	12/2020	McRoberts	D23/411
D917,688	S	*	4/2021	Guthrie	D23/411
2010/0278637	A1	*	11/2010	Oleson	F04D 27/002 415/121.3

* cited by examiner

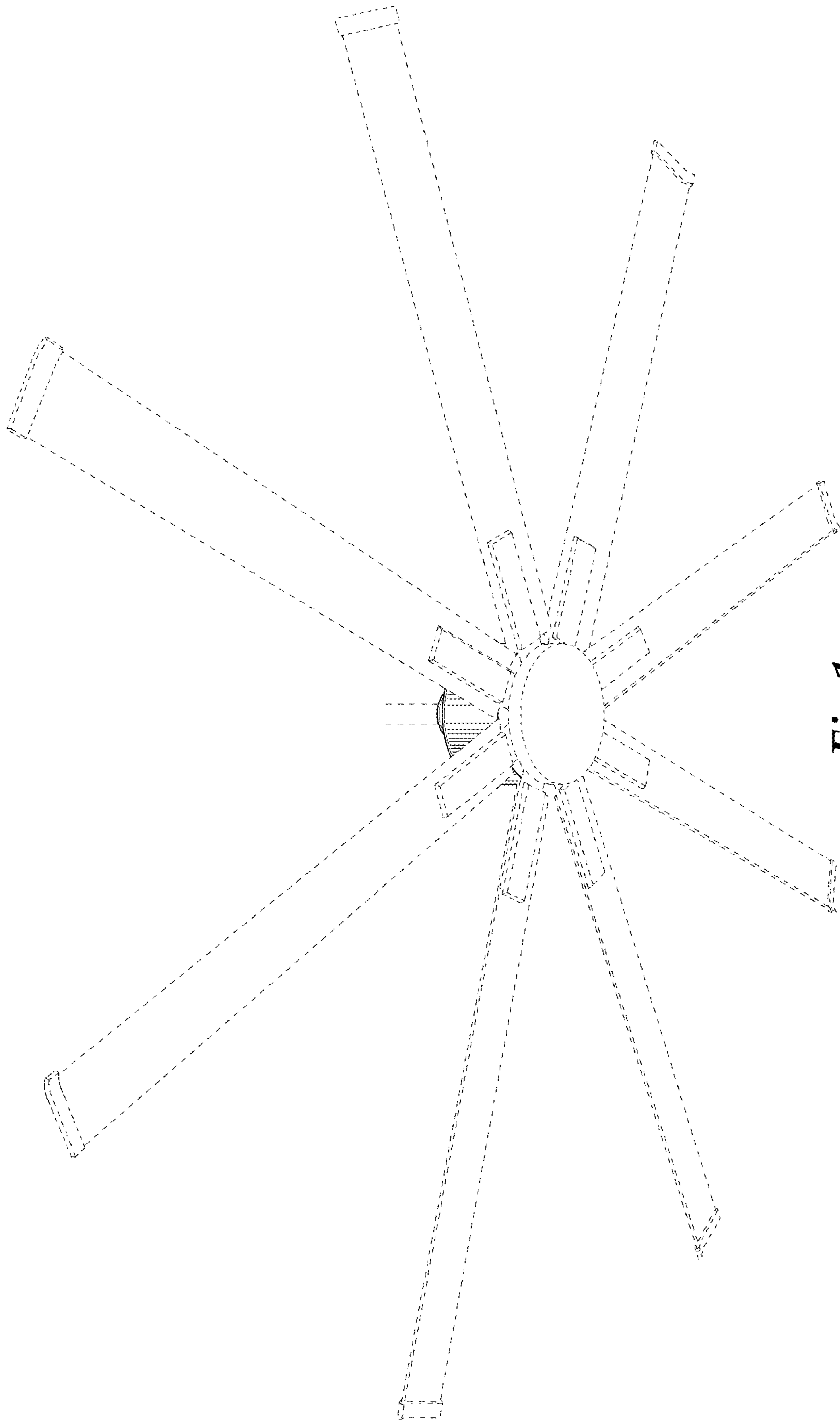


Fig.1

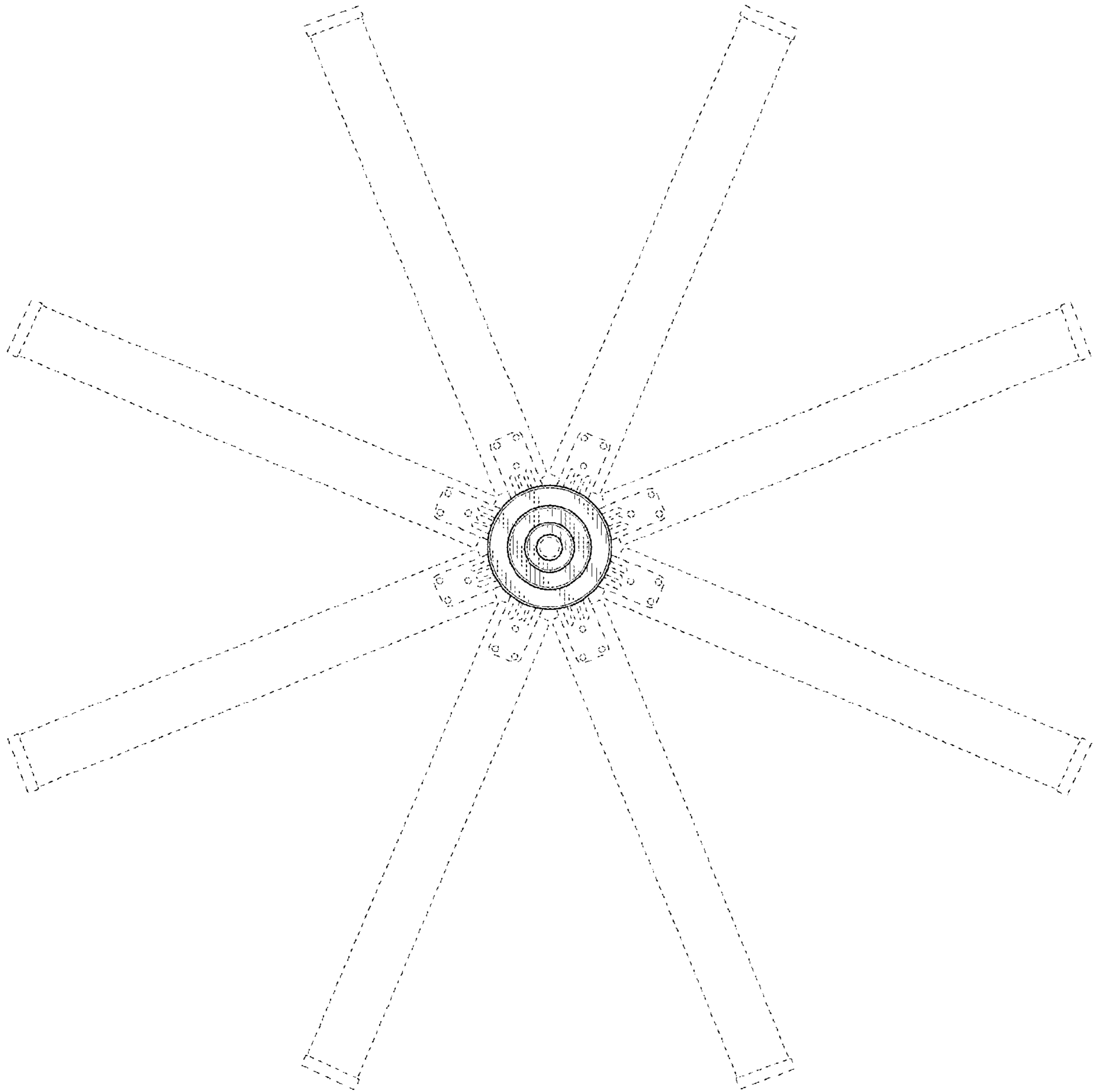


Fig.2

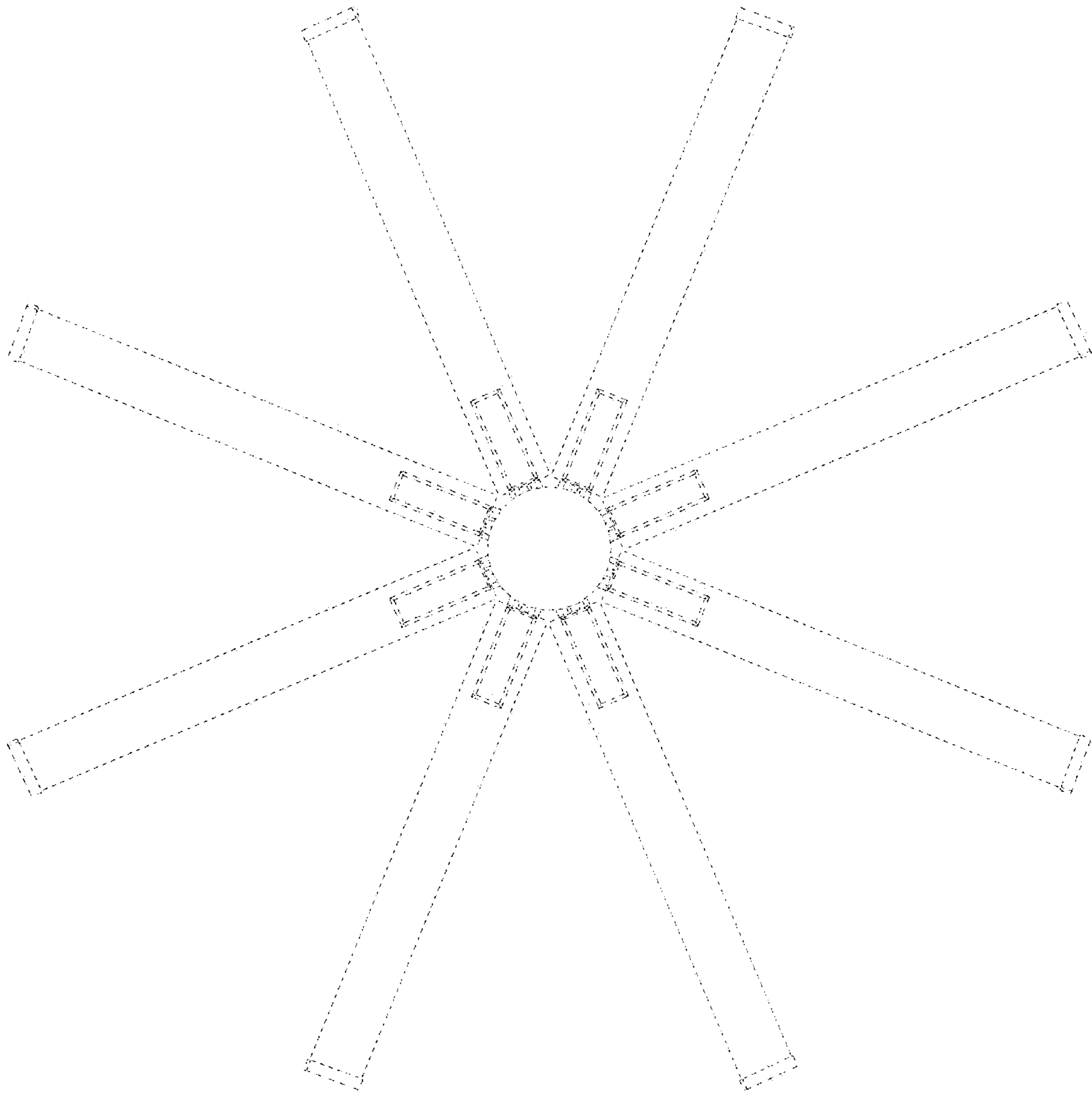


Fig.3

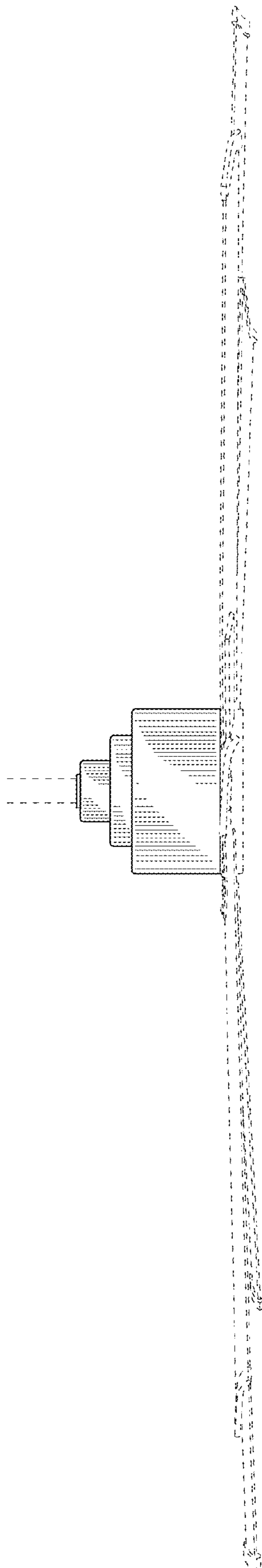


Fig. 4

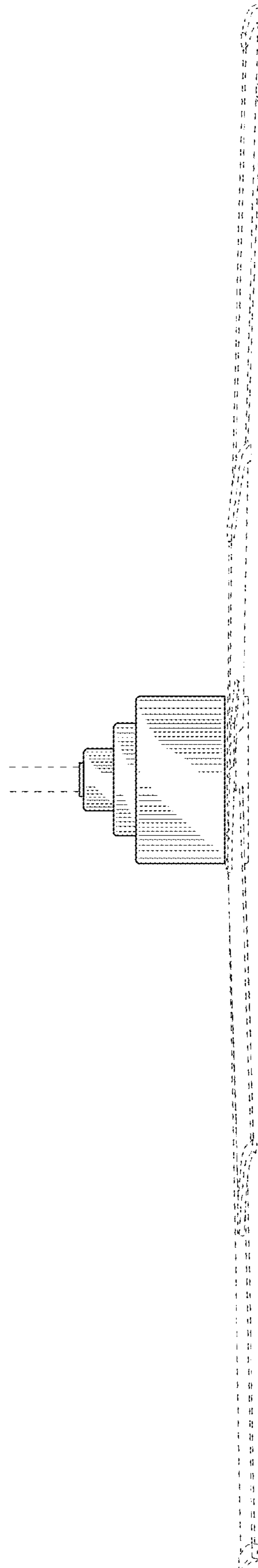


Fig. 5