



US00D952125S

(12) **United States Design Patent**
He et al.

(10) **Patent No.:** **US D952,125 S**

(45) **Date of Patent:** **** May 17, 2022**

(54) **FLOOR FAN**

D842,448 S * 3/2019 Ma D23/382
D875,235 S * 2/2020 Coleman D23/382
2016/0208807 A1* 7/2016 He F04D 25/105

(71) Applicant: **THE WEST RIVER INDUSTRY CO., LTD.**, Jiangmen (CN)

(72) Inventors: **Xiangming He**, Jiangmen (CN);
Guanglian Lin, Jiangmen (CN)

(73) Assignee: **THE WEST RIVER INDUSTRY CO., LTD.**, Jiangmen (CN)

(**) Term: **15 Years**

(21) Appl. No.: **29/745,761**

(22) Filed: **Aug. 7, 2020**

(51) **LOC (13) Cl.** **23-04**

(52) **U.S. Cl.**
USPC **D23/382**

(58) **Field of Classification Search**
USPC D23/332, 333, 335, 336, 337, 351–352,
D23/370, 371, 378–383, 411–414
CPC F04D 25/0673; F04D 25/08; F04D 25/084;
F04D 29/4226
See application file for complete search history.

(56) **References Cited**

U.S. PATENT DOCUMENTS

D97,118 S * 10/1935 Cohen D23/412
D422,073 S * 3/2000 Lozzio D23/381
D426,296 S * 6/2000 Blateri D23/370
D452,734 S * 1/2002 Blateri D23/370
D480,466 S * 10/2003 Bucher D23/382
D482,438 S * 11/2003 Barker D23/382
D483,468 S * 12/2003 Wong D23/382
D531,718 S * 11/2006 Bucher D23/382
D687,937 S * 8/2013 Nemes D23/332

OTHER PUBLICATIONS

Portable internal battery fan, Application No. 202030407271.5, application date Jul. 24, 2020, date published Dec. 15, 2020, published in CN, site visited Dec. 30, 2021, available at www.orbit.com.*

* cited by examiner

Primary Examiner — Sharon S Oum

(74) *Attorney, Agent, or Firm* — Innovation Capital Law Group, LLP; Vic Lin

(57) **CLAIM**

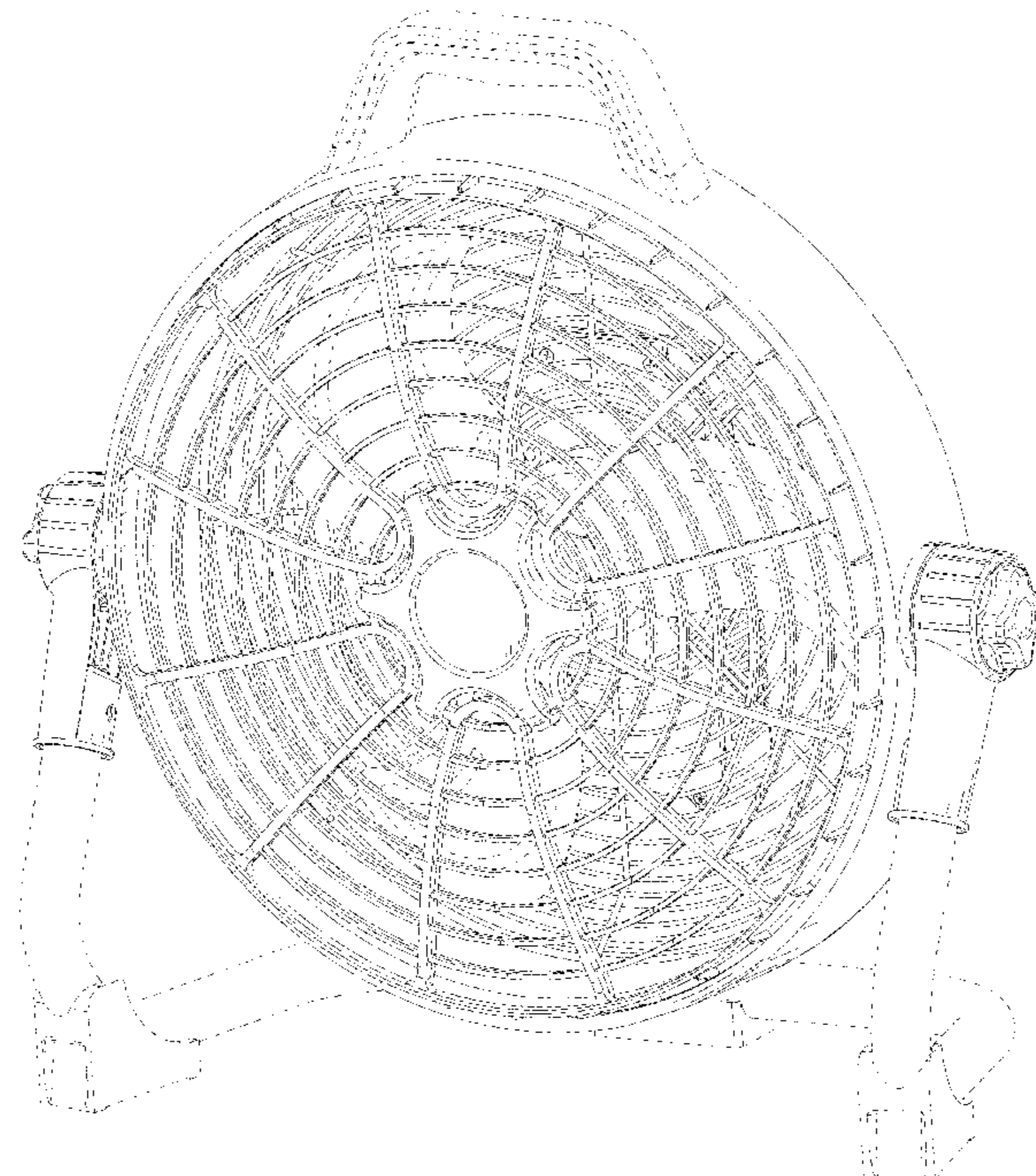
The ornamental design for a floor fan, as shown and described.

DESCRIPTION

FIG. 1 is a front elevation view of a floor fan, showing our new design, with the rear grille removed for clarity of illustration;
FIG. 2 is a rear elevation view thereof, with front grille removed for clarity of illustration;
FIG. 3 is a right side elevation view thereof;
FIG. 4 is a left side elevation view thereof;
FIG. 5 is a top plan view thereof;
FIG. 6 is a bottom plan view thereof;
FIG. 7 is a front perspective view thereof; and,
FIG. 8 is a rear perspective view thereof.

The broken lines in the drawings are for the purpose of illustrating portions of the floor fan that form no part of the claimed design.

1 Claim, 8 Drawing Sheets



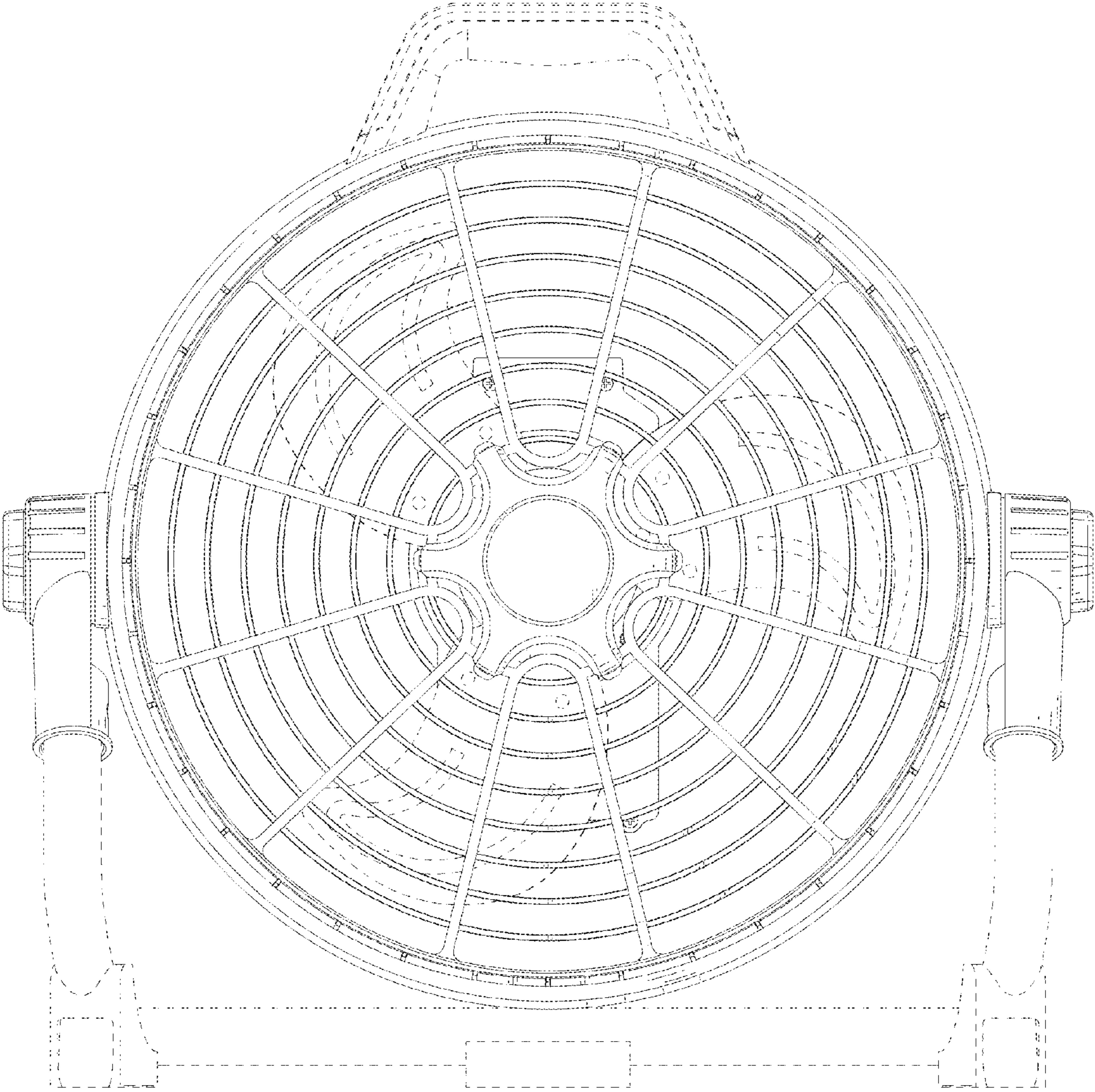


FIG. 1

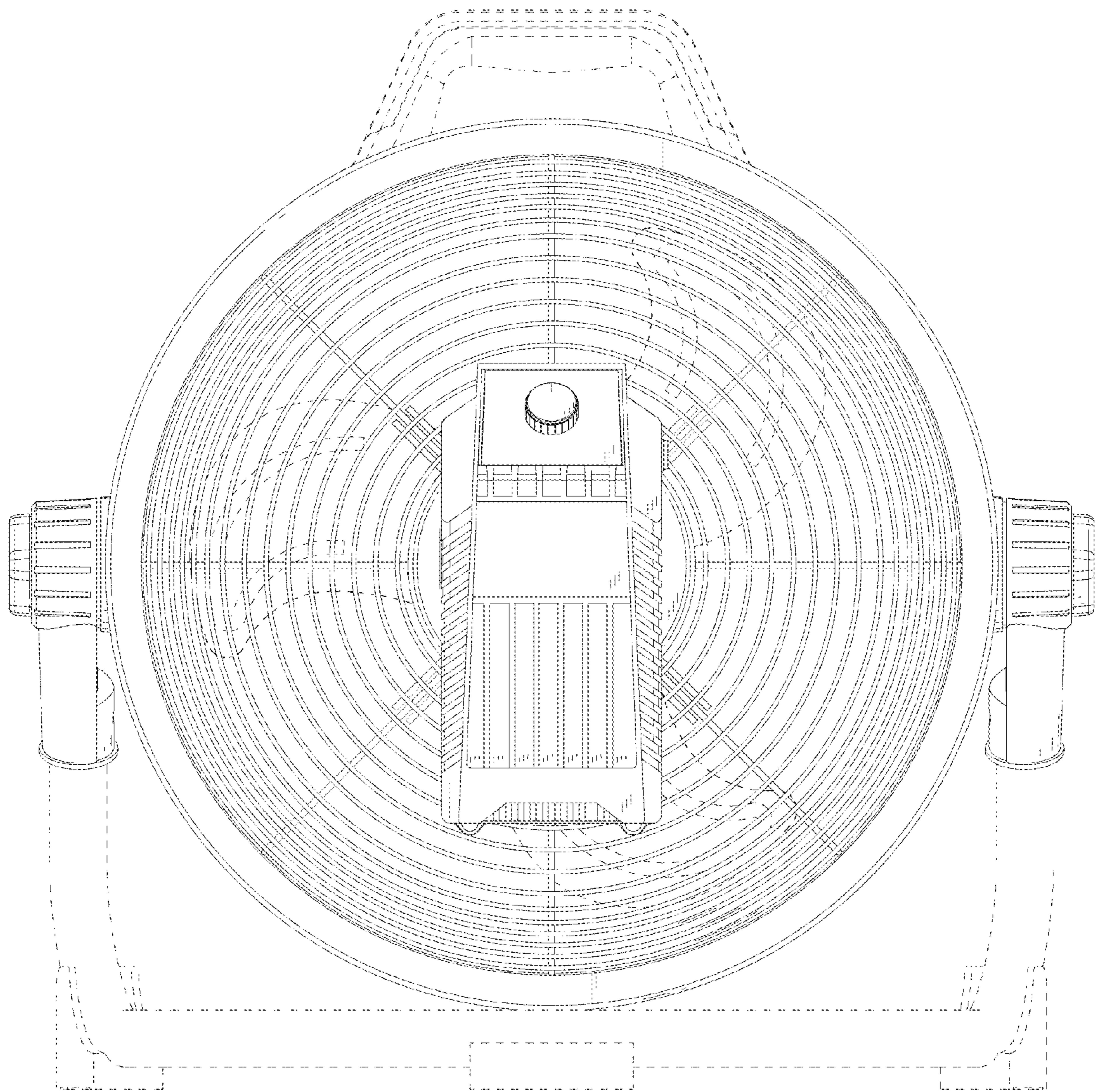


FIG. 2

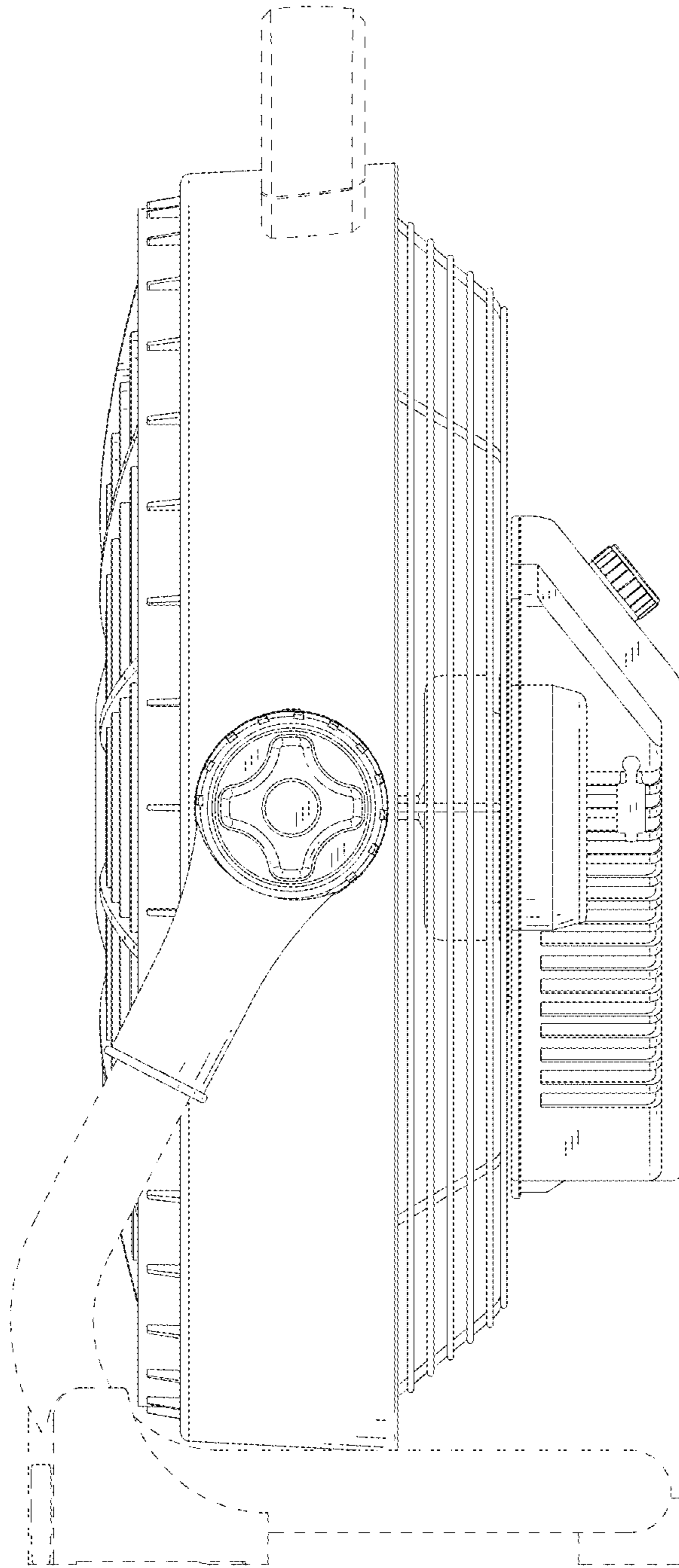


FIG. 3

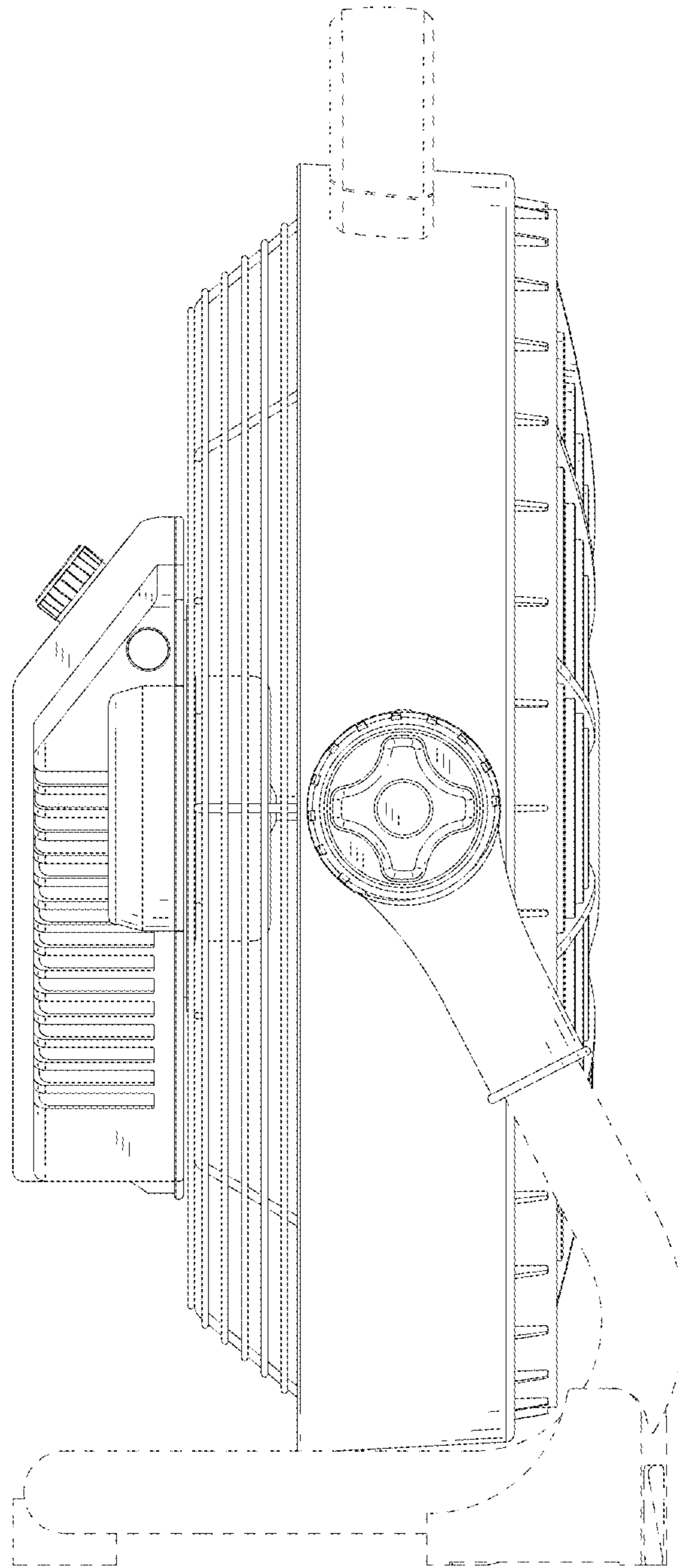


FIG. 4

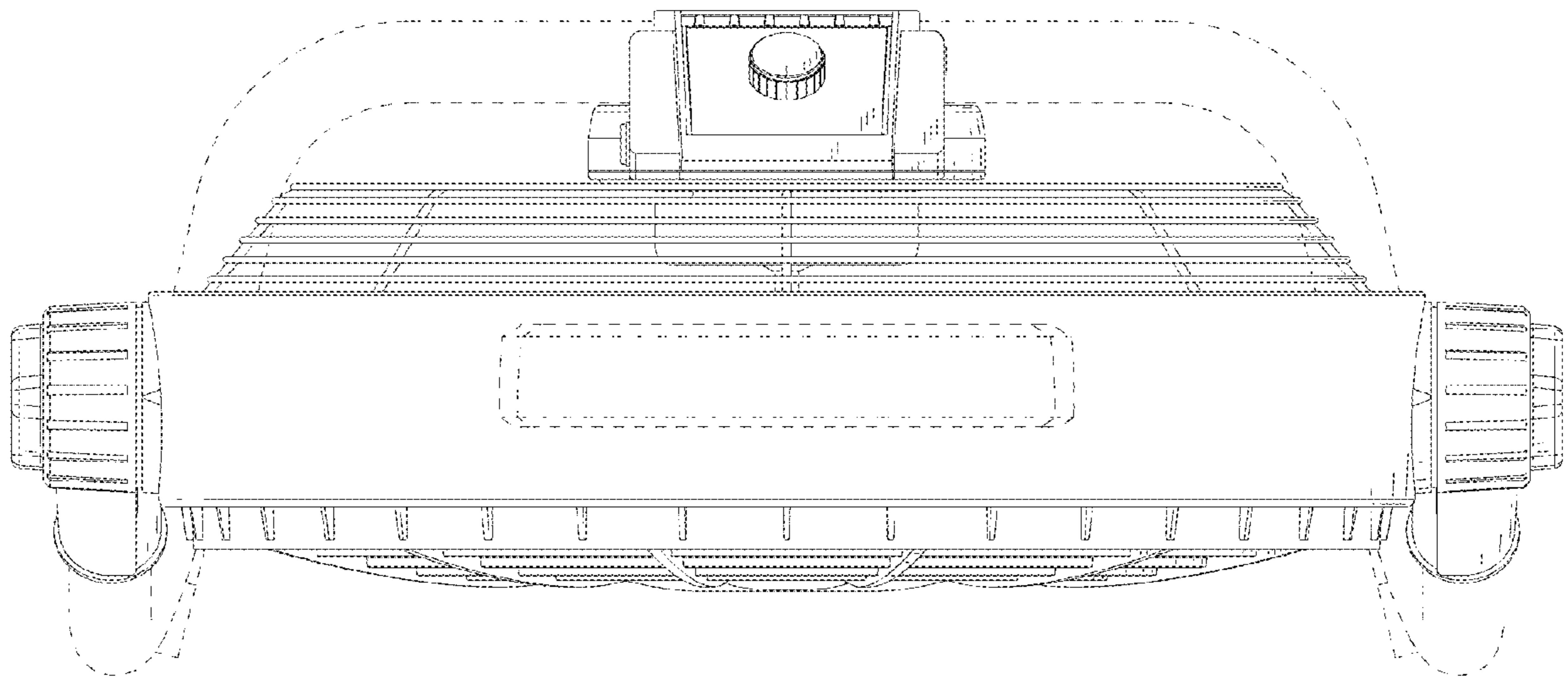


FIG. 5

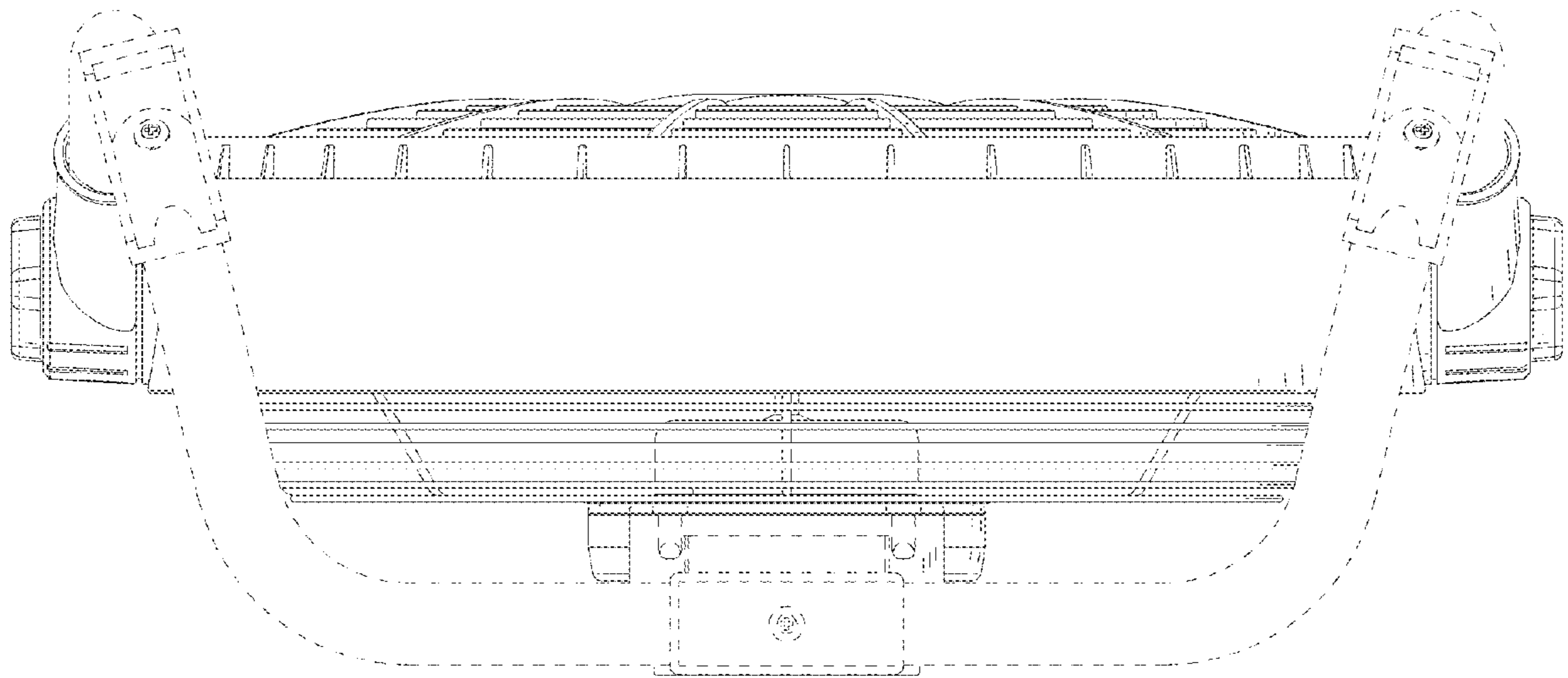


FIG. 6

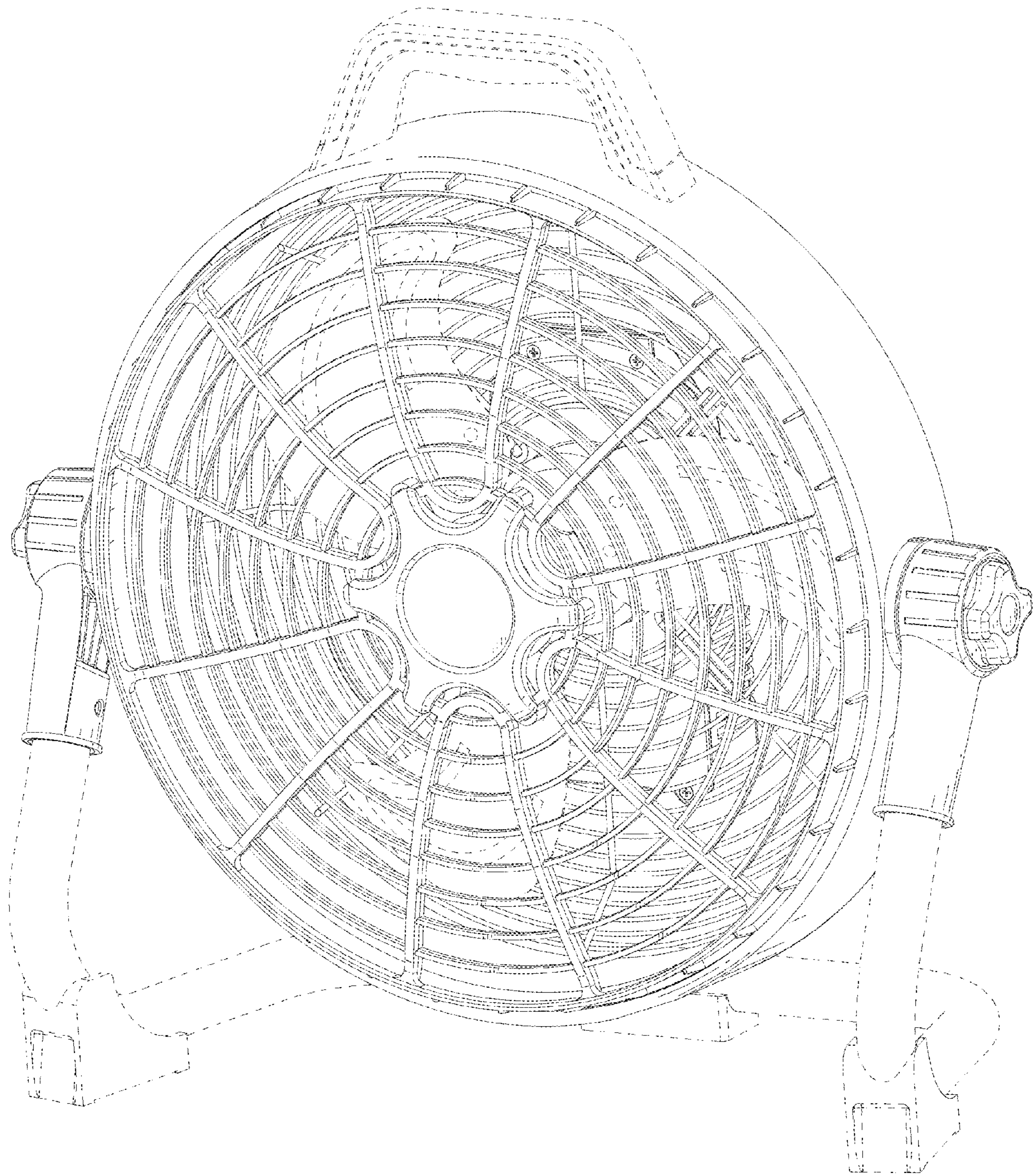


FIG. 7

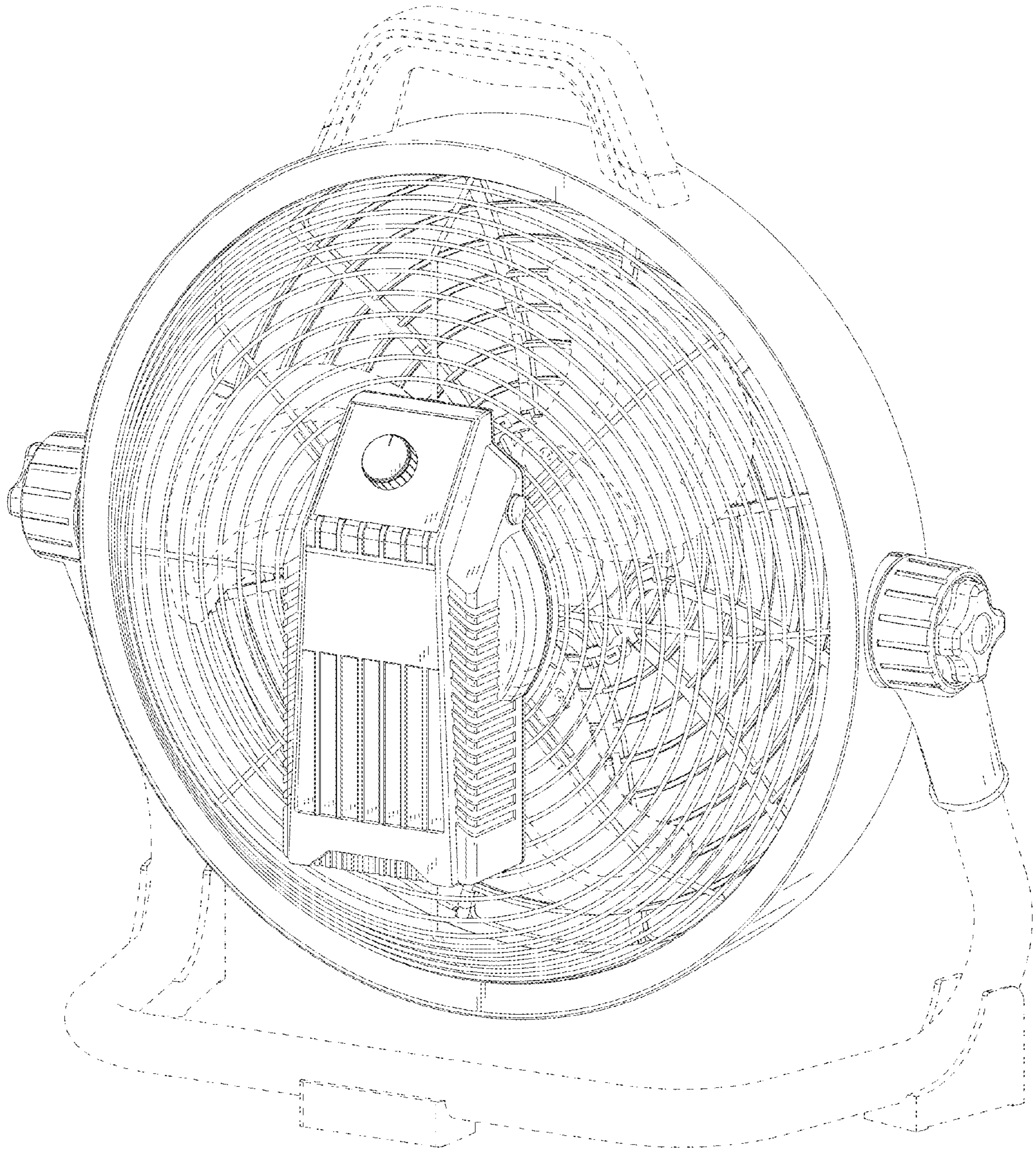


FIG. 8