



US00D952124S

(12) **United States Design Patent**  
**He et al.**

(10) **Patent No.:** **US D952,124 S**

(45) **Date of Patent:** **\*\* May 17, 2022**

(54) **FLOOR FAN**

D842,448 S \* 3/2019 Ma ..... D23/382  
D875,235 S \* 2/2020 Coleman ..... D23/382  
2016/0208807 A1\* 7/2016 He ..... F04D 25/105

(71) Applicant: **THE WEST RIVER INDUSTRY CO., LTD.**, Jiangmen (CN)

(72) Inventors: **Xiangming He**, Jiangmen (CN);  
**Guanglian Lin**, Jiangmen (CN)

(73) Assignee: **THE WEST RIVER INDUSTRY CO., LTD.**, Jiangmen (CN)

(\*\*) Term: **15 Years**

(21) Appl. No.: **29/745,760**

(22) Filed: **Aug. 7, 2020**

(51) **LOC (13) Cl.** ..... **23-04**

(52) **U.S. Cl.**  
USPC ..... **D23/382**

(58) **Field of Classification Search**  
USPC ..... D23/332, 333, 335, 336, 337, 351–352,  
D23/370, 371, 378–383, 411–414  
CPC .... F04D 25/0673; F04D 25/08; F04D 25/084;  
F04D 29/4226  
See application file for complete search history.

(56) **References Cited**

**U.S. PATENT DOCUMENTS**

D97,118 S *	10/1935	Cohen	.....	D23/412
D422,073 S *	3/2000	Lozzio	.....	D23/381
D426,296 S *	6/2000	Blateri	.....	D23/370
D452,734 S *	1/2002	Blateri	.....	D23/370
D480,466 S *	10/2003	Bucher	.....	D23/382
D482,438 S *	11/2003	Barker	.....	D23/382
D483,468 S *	12/2003	Wong	.....	D23/382
D531,718 S *	11/2006	Bucher	.....	D23/382
D687,937 S *	8/2013	Nemes	.....	D23/332

**OTHER PUBLICATIONS**

Portable internal battery fan, Application No. 202030407271.5, application date Jul. 24, 2020, date published Dec. 15, 2020, published in CN, site visited Dec. 30, 2021, available at www.orbit.com.\*

\* cited by examiner

*Primary Examiner* — Sharon S Oum

(74) *Attorney, Agent, or Firm* — Innovation Capital Law Group, LLP; Vic Lin

(57) **CLAIM**

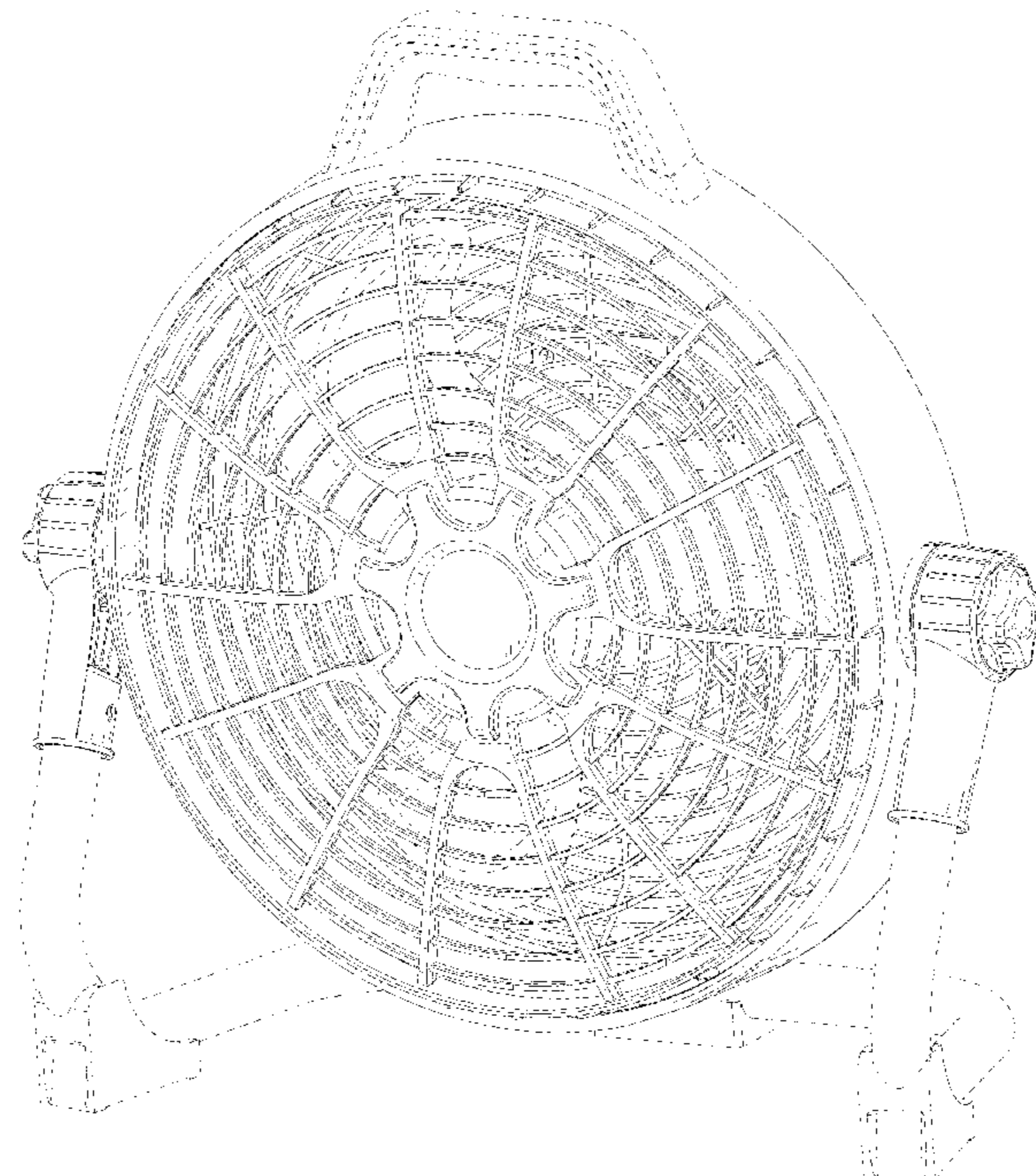
The ornamental design for a floor fan, as shown and described.

**DESCRIPTION**

FIG. 1 is a front elevation view of a floor fan, showing our new design, with the rear grille removed for clarity of illustration;  
FIG. 2 is a rear elevation view thereof, with front grille removed for clarity of illustration;  
FIG. 3 is a right side elevation view thereof;  
FIG. 4 is a left side elevation view thereof;  
FIG. 5 is a top plan view thereof;  
FIG. 6 is a bottom plan view thereof;  
FIG. 7 is a front perspective view thereof; and,  
FIG. 8 is a rear perspective view thereof.

The broken lines in the drawings are for the purpose of illustrating portions of the floor fan that form no part of the claimed design.

**1 Claim, 8 Drawing Sheets**



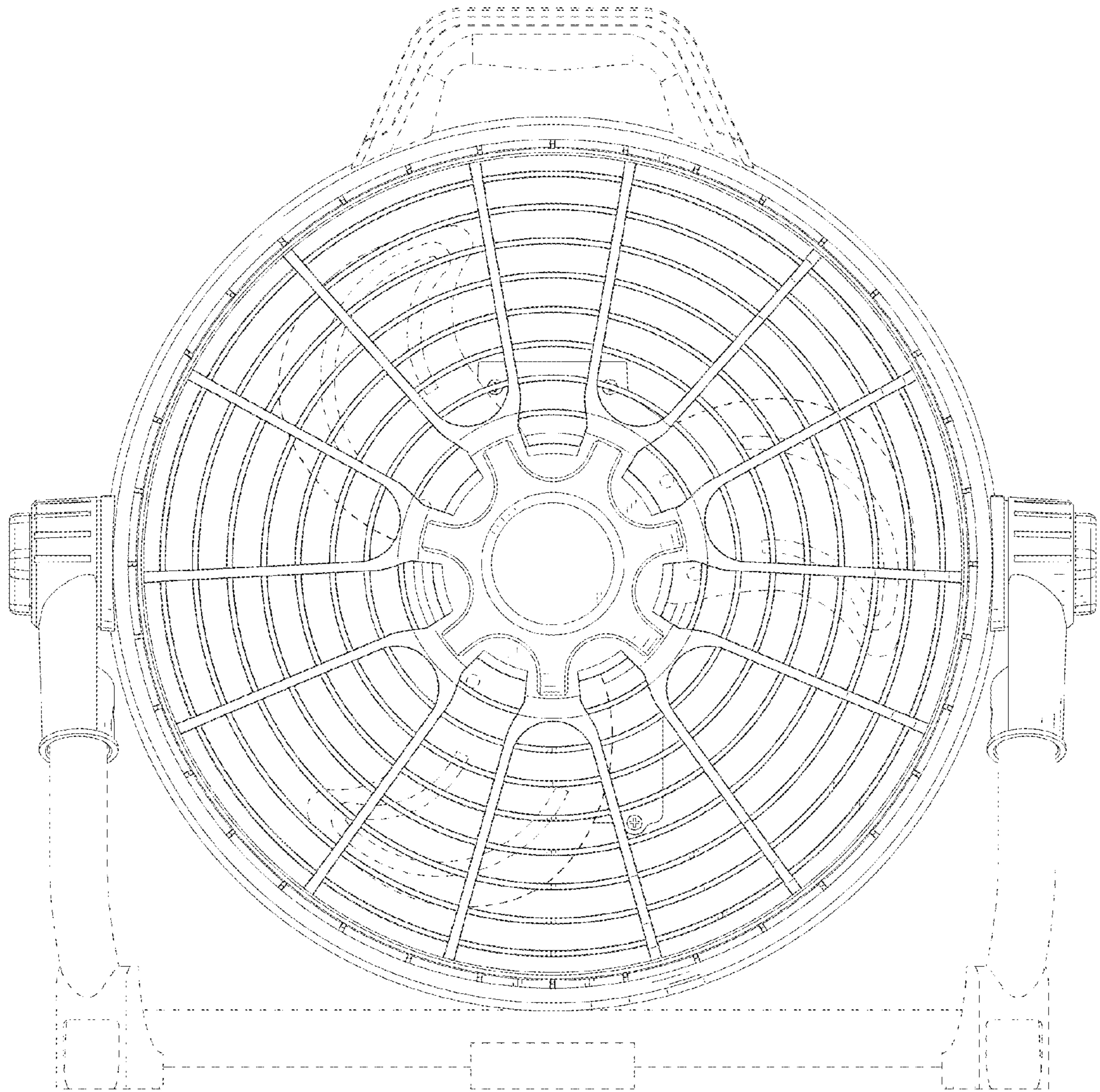


FIG. 1

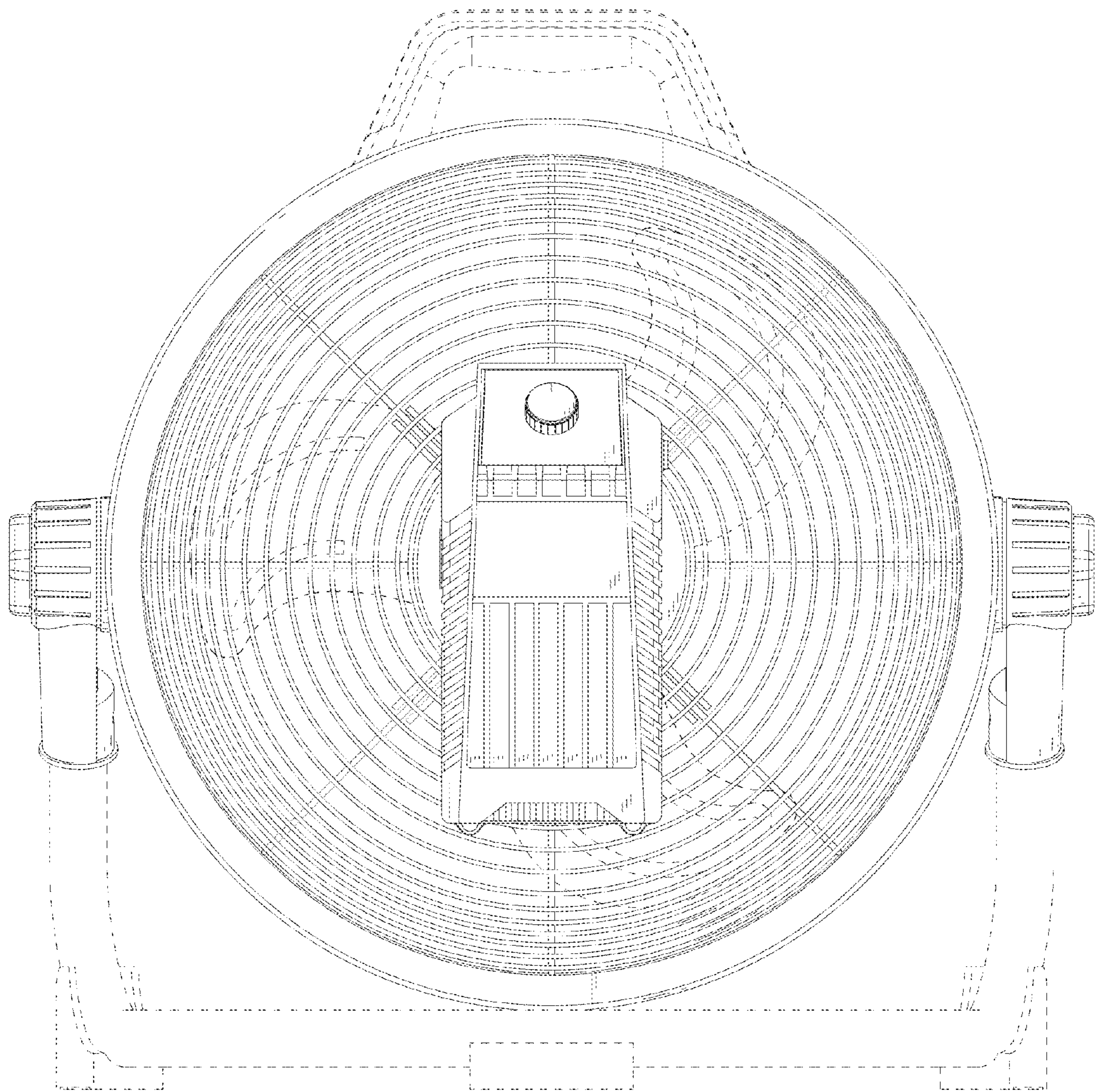


FIG. 2

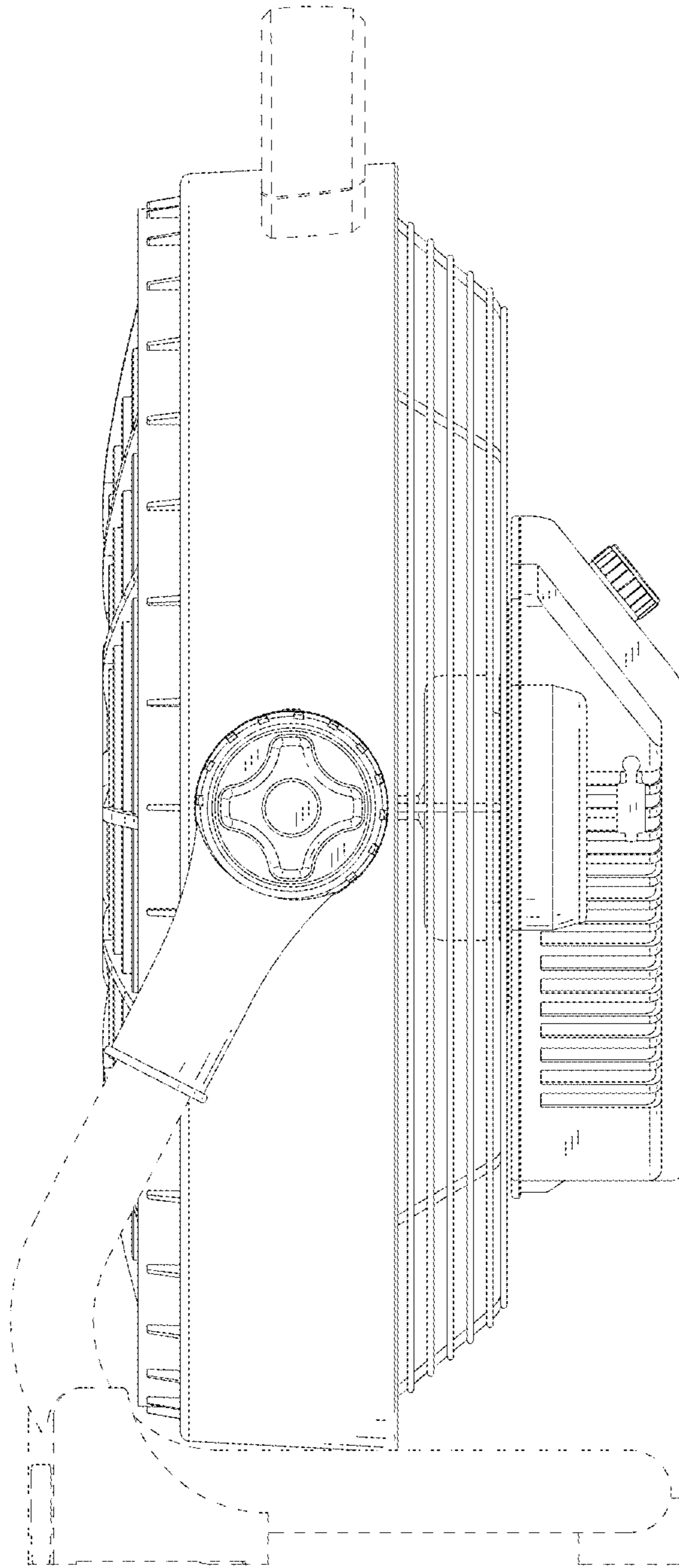


FIG. 3

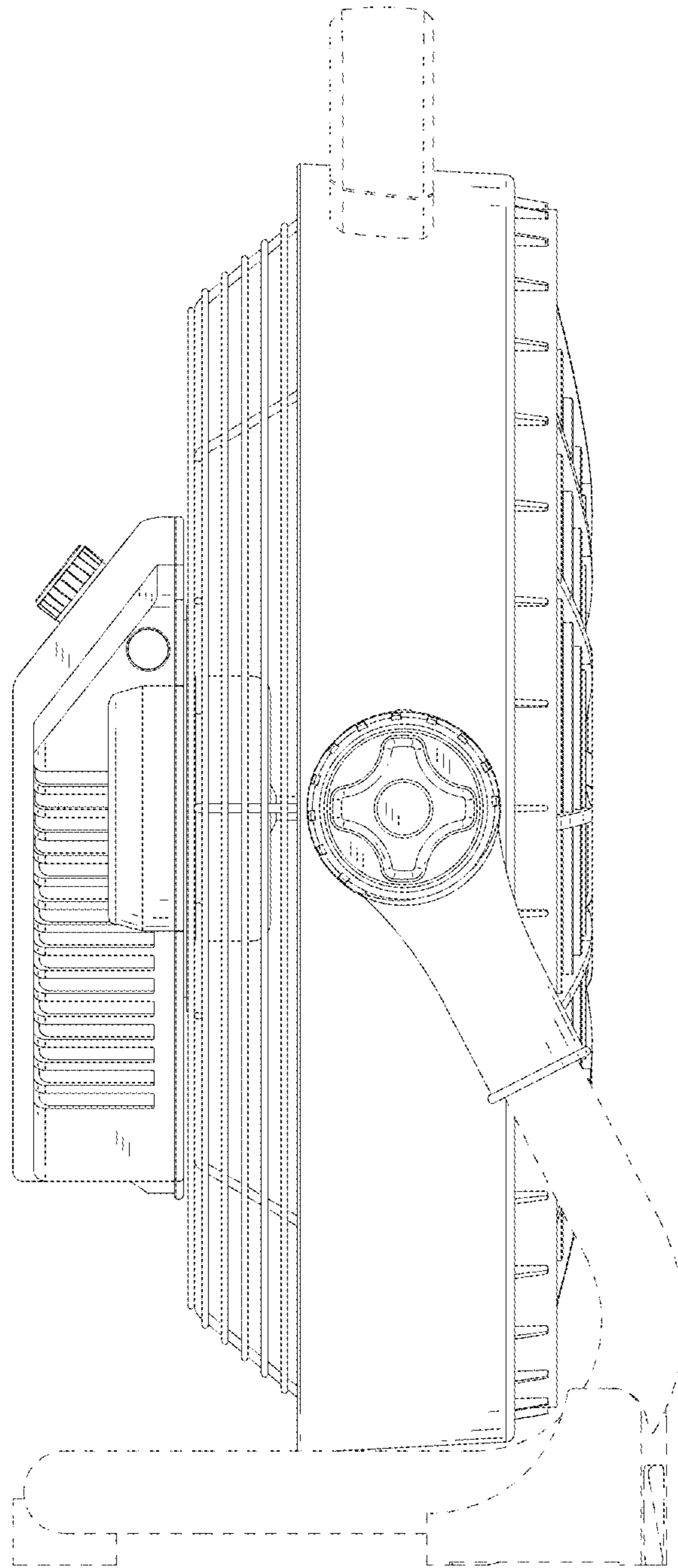


FIG. 4

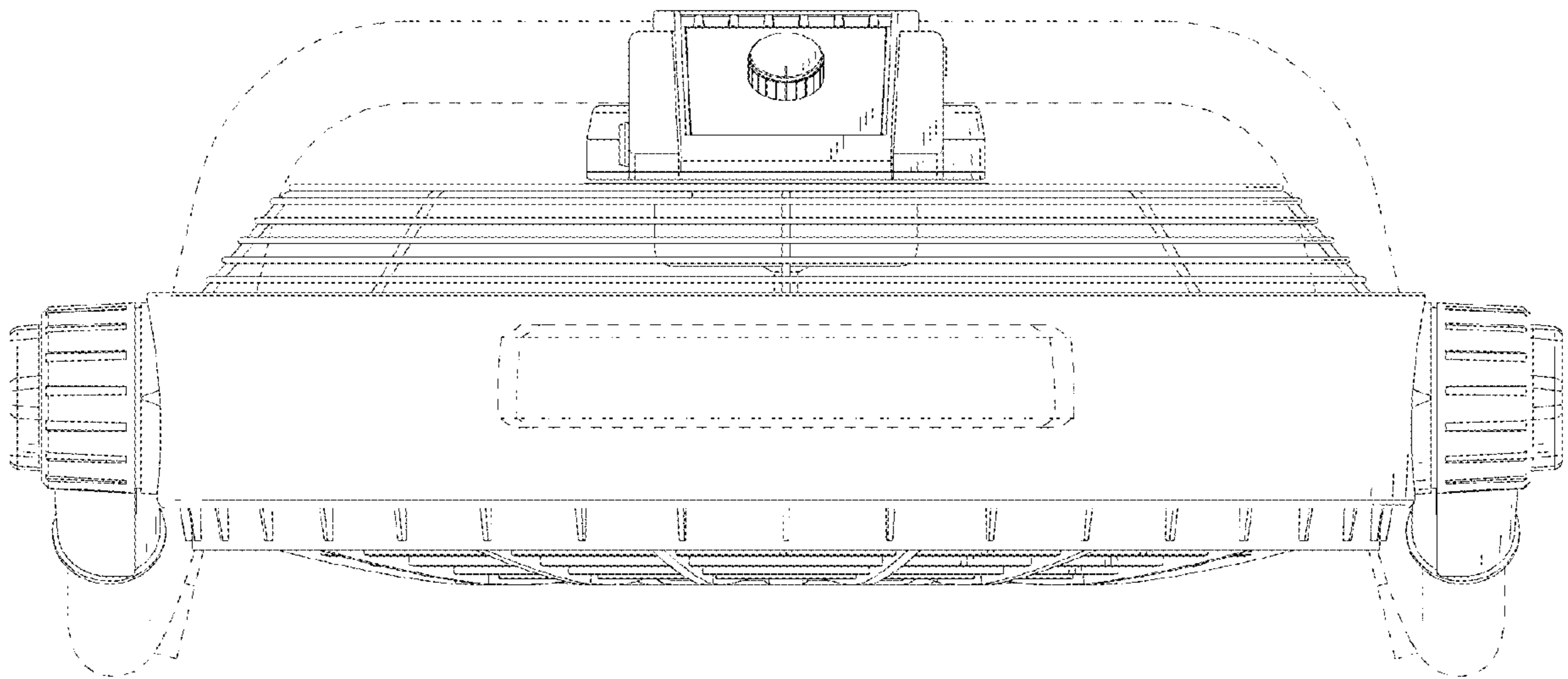


FIG. 5

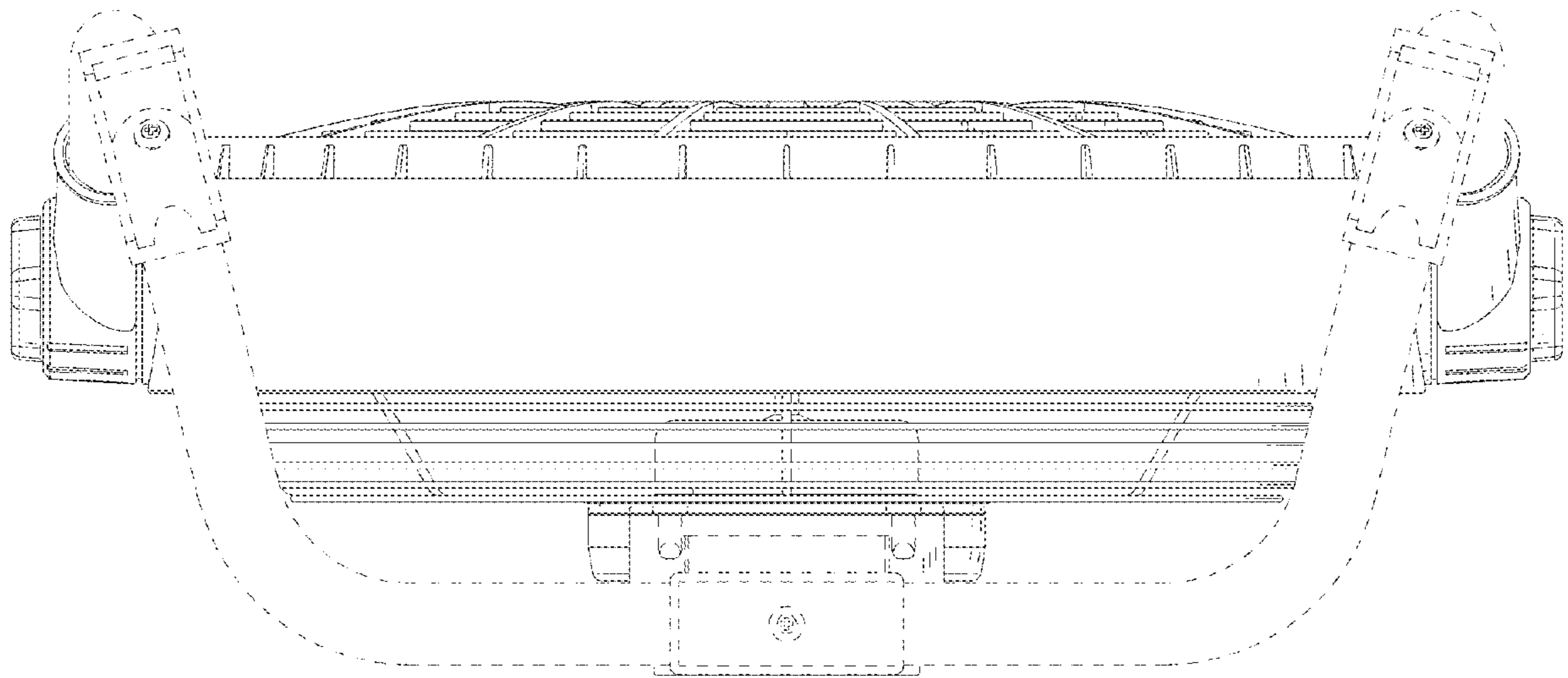


FIG. 6

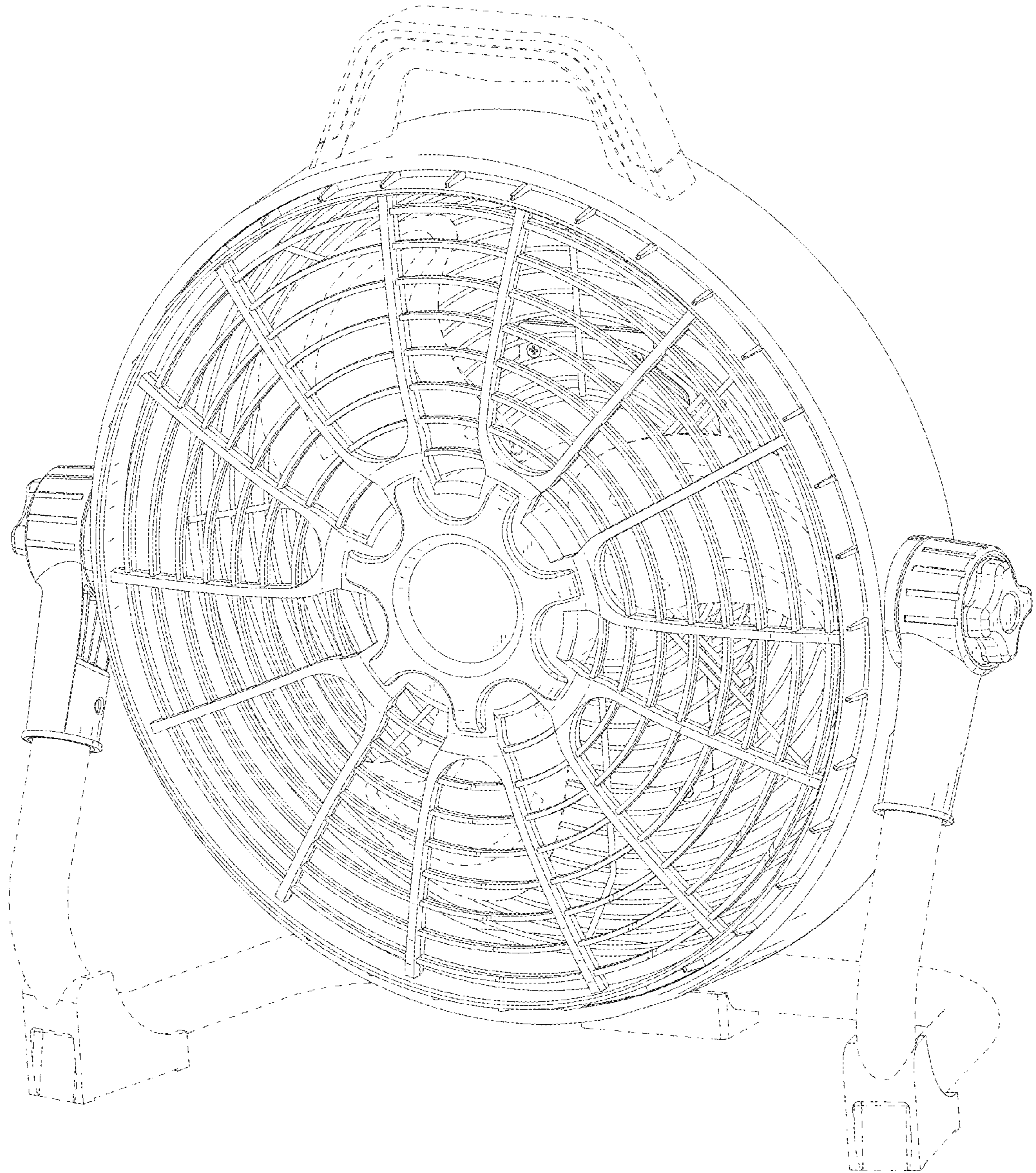


FIG. 7



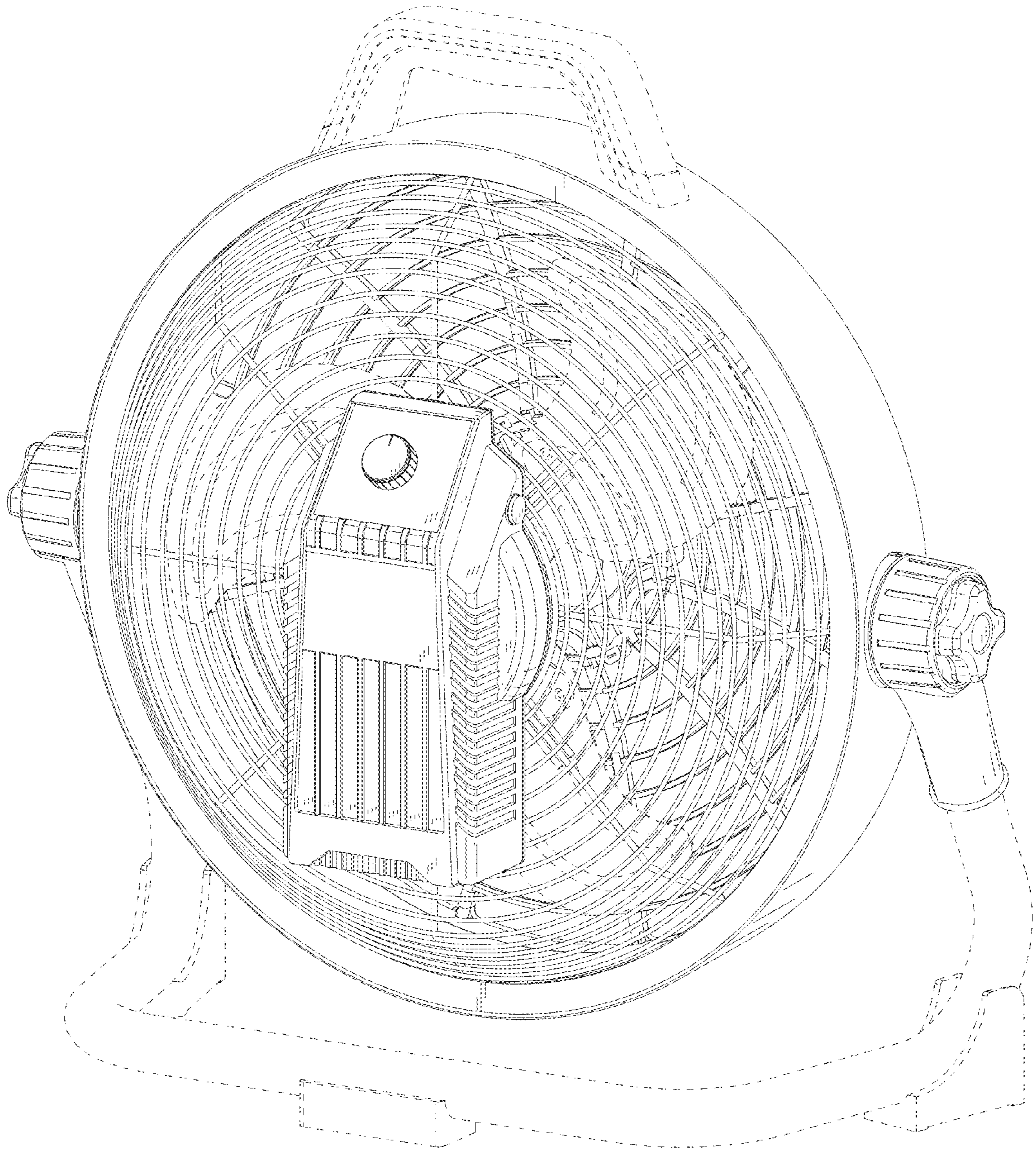


FIG. 8