



US00D952123S

(12) **United States Design Patent**
Searle

(10) **Patent No.:** **US D952,123 S**

(45) **Date of Patent:** **** May 17, 2022**

(54) **CEILING FAN**

(71) Applicant: **AIR COOL INDUSTRIAL CO., LTD.**, Taichung (TW)

(72) Inventor: **Scott Searle**, Maui, HI (US)

(73) Assignee: **AIR COOL INDUSTRIAL CO., LTD.**, Taichung (TW)

(**) Term: **15 Years**

(21) Appl. No.: **29/734,955**

(22) Filed: **May 17, 2020**

(51) **LOC (13) Cl.** **23-04**

(52) **U.S. Cl.**

USPC **D23/382**; D23/377

(58) **Field of Classification Search**

USPC D23/370, 377, 379, 381–382, 385, D23/411–414; D26/59

CPC F04D 25/088; F04D 29/38; F04D 29/38A; F04D 29/386; F21V 33/0096

See application file for complete search history.

(56) **References Cited**

U.S. PATENT DOCUMENTS

D104,060 S *	4/1937	Budlong	D23/382
D104,064 S *	4/1937	Hamilton	D23/382
D128,142 S *	7/1941	Moskowitz	D23/382
D133,051 S *	7/1942	Kruck	D23/382
D181,083 S *	9/1957	Wells	D23/382
D207,280 S *	3/1967	De La Marter	D23/412
3,787,142 A *	1/1974	Dupke	F04D 29/703
				D23/382
D351,901 S *	10/1994	Boruch	D23/382
D418,913 S *	1/2000	Thakur	D23/382
6,354,801 B1 *	3/2002	Gajewski	F04D 25/088
				415/121.2
D478,981 S *	8/2003	Frampton	D23/411
D483,108 S *	12/2003	Frampton	D23/411

D483,468 S *	12/2003	Wong	D23/382
D485,608 S *	1/2004	Chen	D23/377
D485,896 S *	1/2004	Chen	D23/377
D489,809 S *	5/2004	Gajewski	D23/411
D493,217 S *	7/2004	Spina	D23/377
D513,798 S *	1/2006	Andrews	D23/382
D676,535 S *	2/2013	Barrett	D23/382
D700,311 S *	2/2014	Wang	D23/385
D777,312 S *	1/2017	Badarello	D23/377
D789,507 S *	6/2017	Badarello	D23/377
D799,676 S *	10/2017	Wong	D23/382
D882,060 S *	4/2020	Wang	D23/382
D889,632 S *	7/2020	Ediger	D23/412
D920,498 S *	5/2021	Habig	D23/411
2009/0072108 A1 *	3/2009	Oleson	F16M 11/10
				248/282.1
2013/0114245 A1 *	5/2013	Todd, Jr.	F04D 29/582
				362/96

* cited by examiner

Primary Examiner — Sharon S Oum

(74) *Attorney, Agent, or Firm* — Pai Patent & Trademark Law Firm; Chao-Chang David Pai

(57) **CLAIM**

The ornamental design for a ceiling fan, as shown and described.

DESCRIPTION

FIG. 1 is a front top perspective view of a ceiling fan showing my new design;

FIG. 2 is a front elevational view thereof;

FIG. 3 is a rear elevational view thereof;

FIG. 4 is a left side elevational view thereof;

FIG. 5 is a right side elevational view thereof;

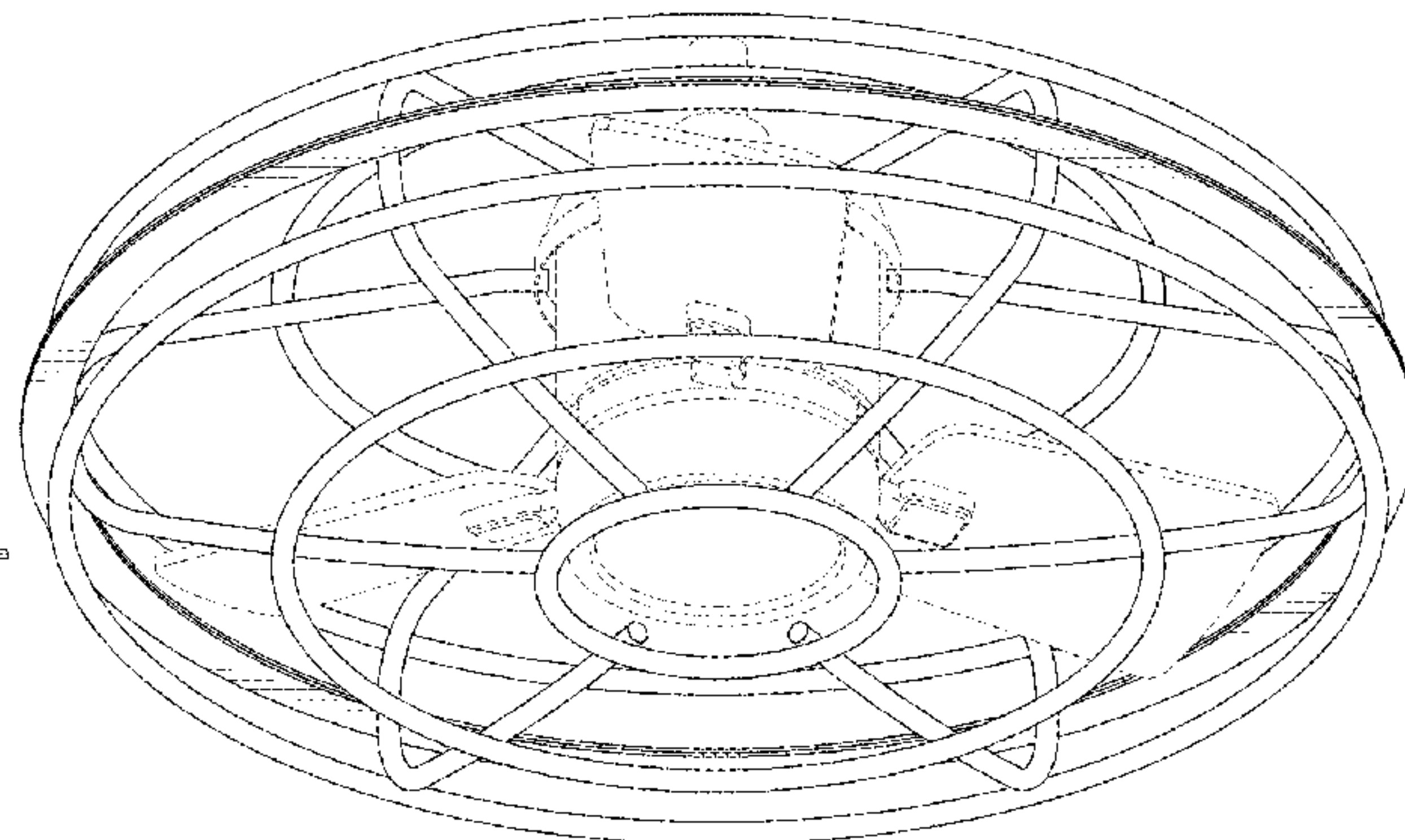
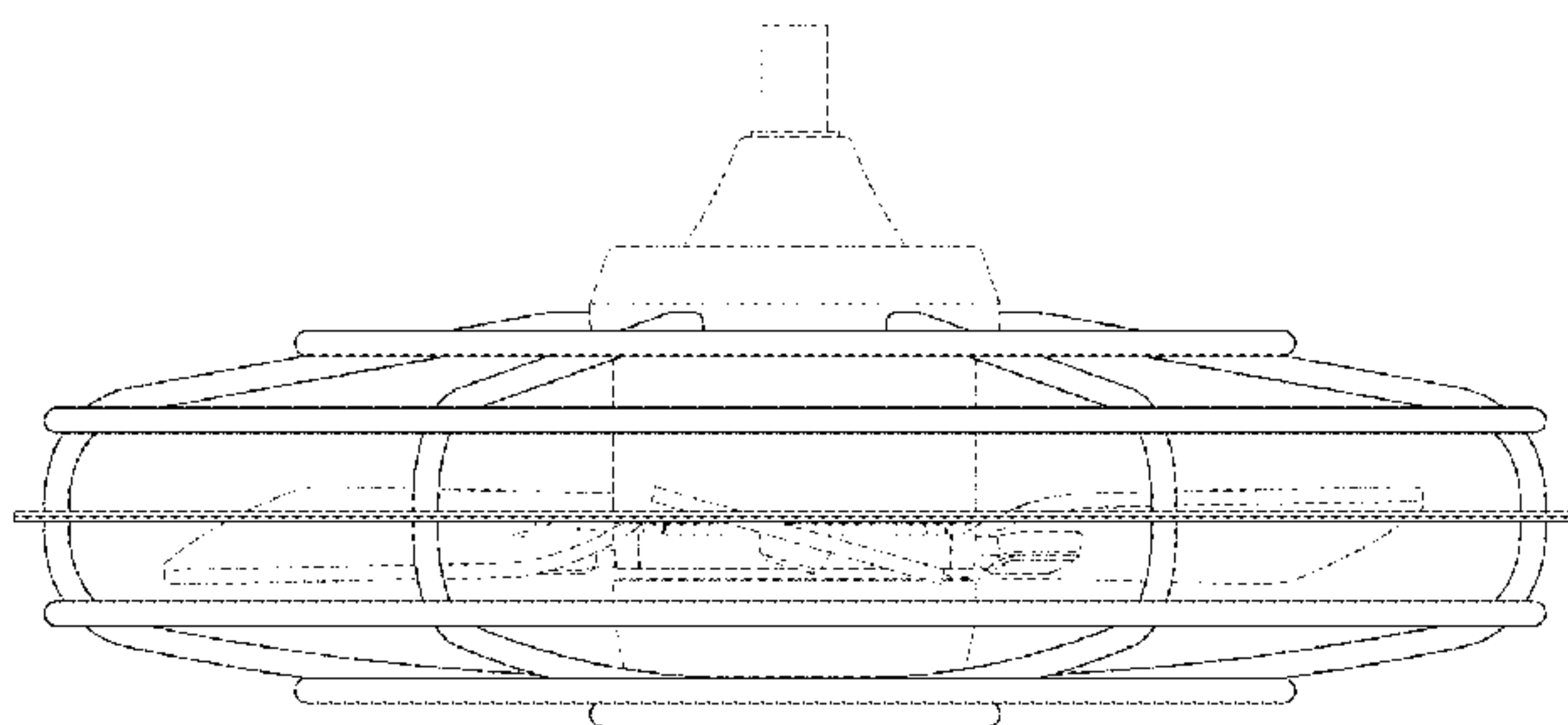
FIG. 6 is a top plan view thereof;

FIG. 7 is a bottom plan view thereof; and,

FIG. 8 is a front bottom perspective view thereof.

The broken lines illustrate portions of the ceiling fan and form no part of the claimed design.

1 Claim, 6 Drawing Sheets



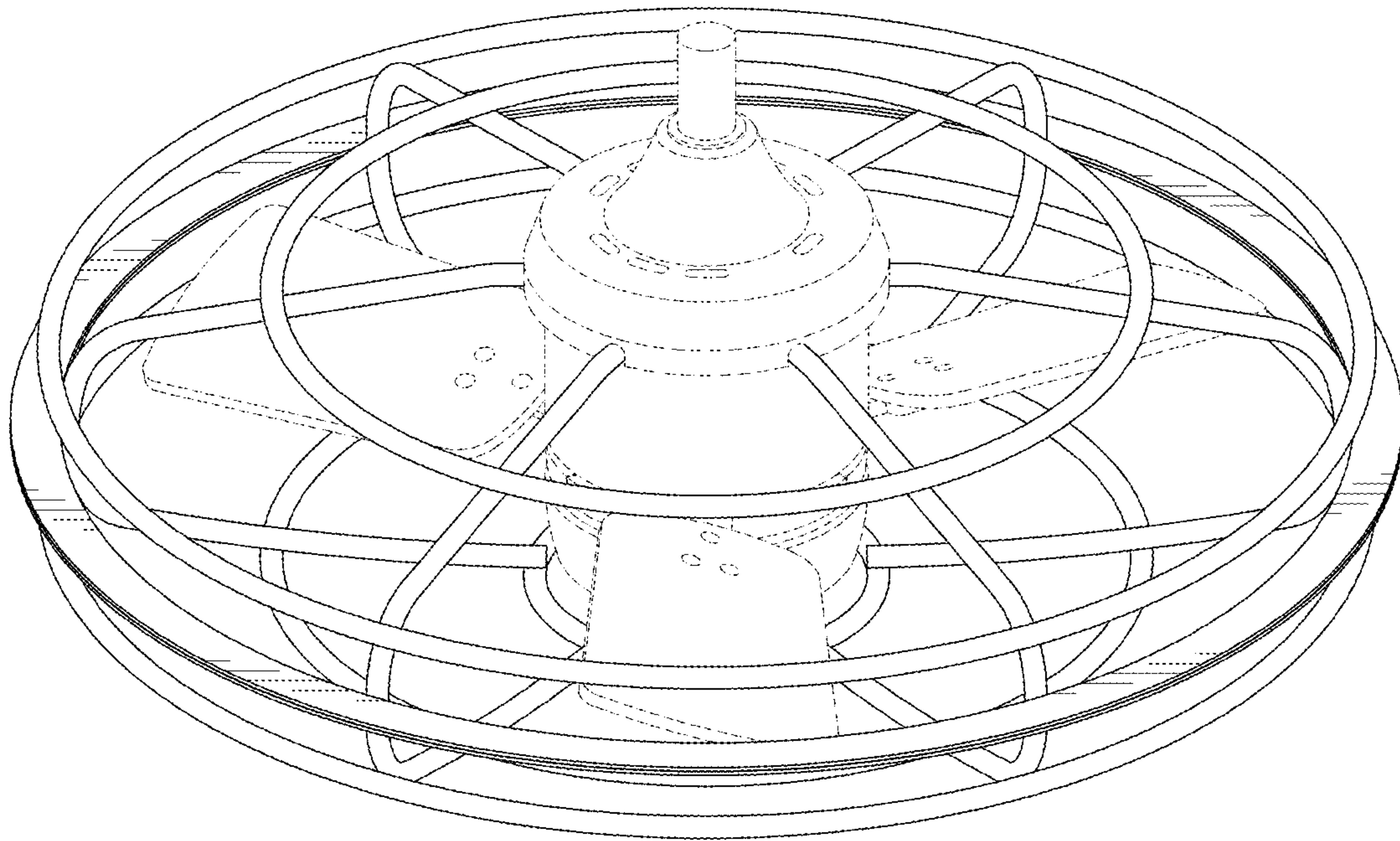


FIG. 1

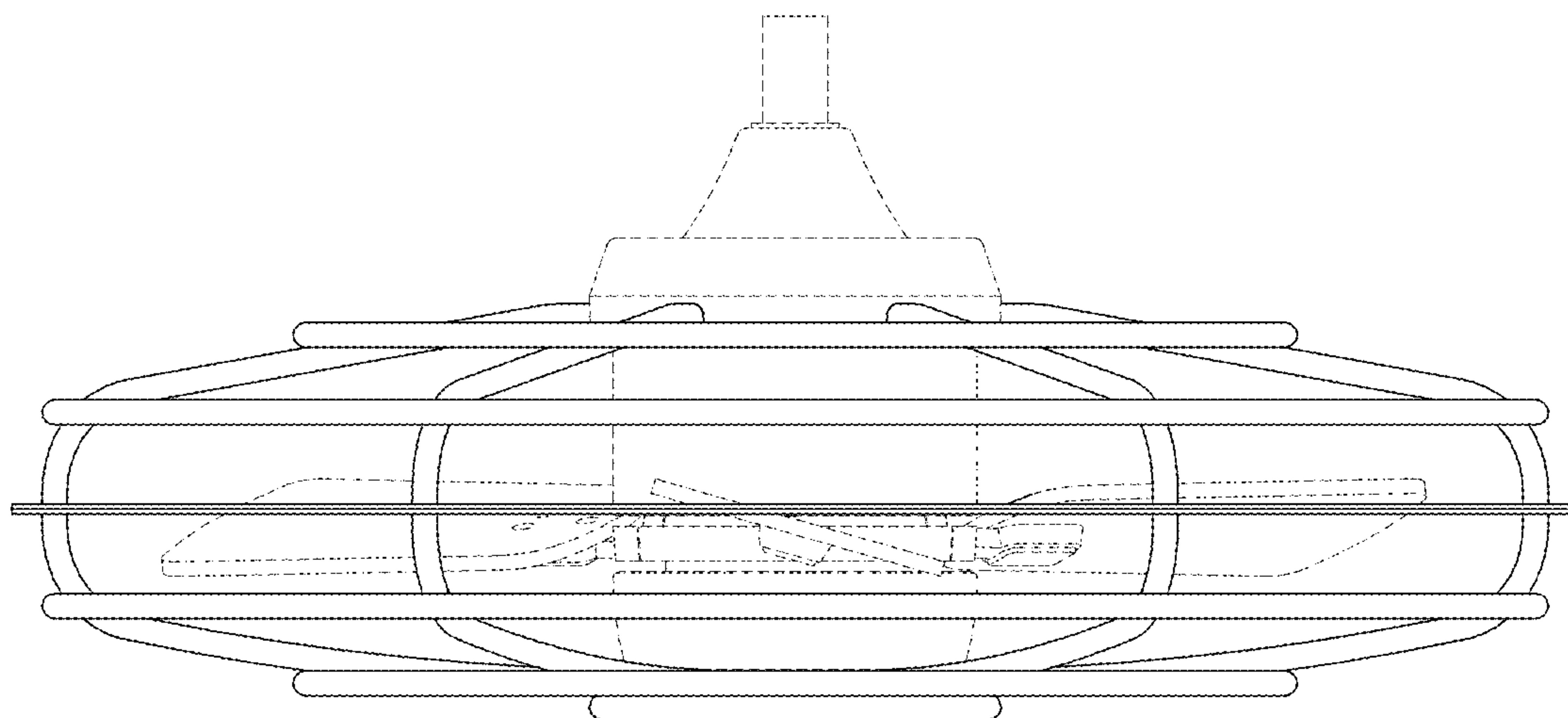


FIG. 2

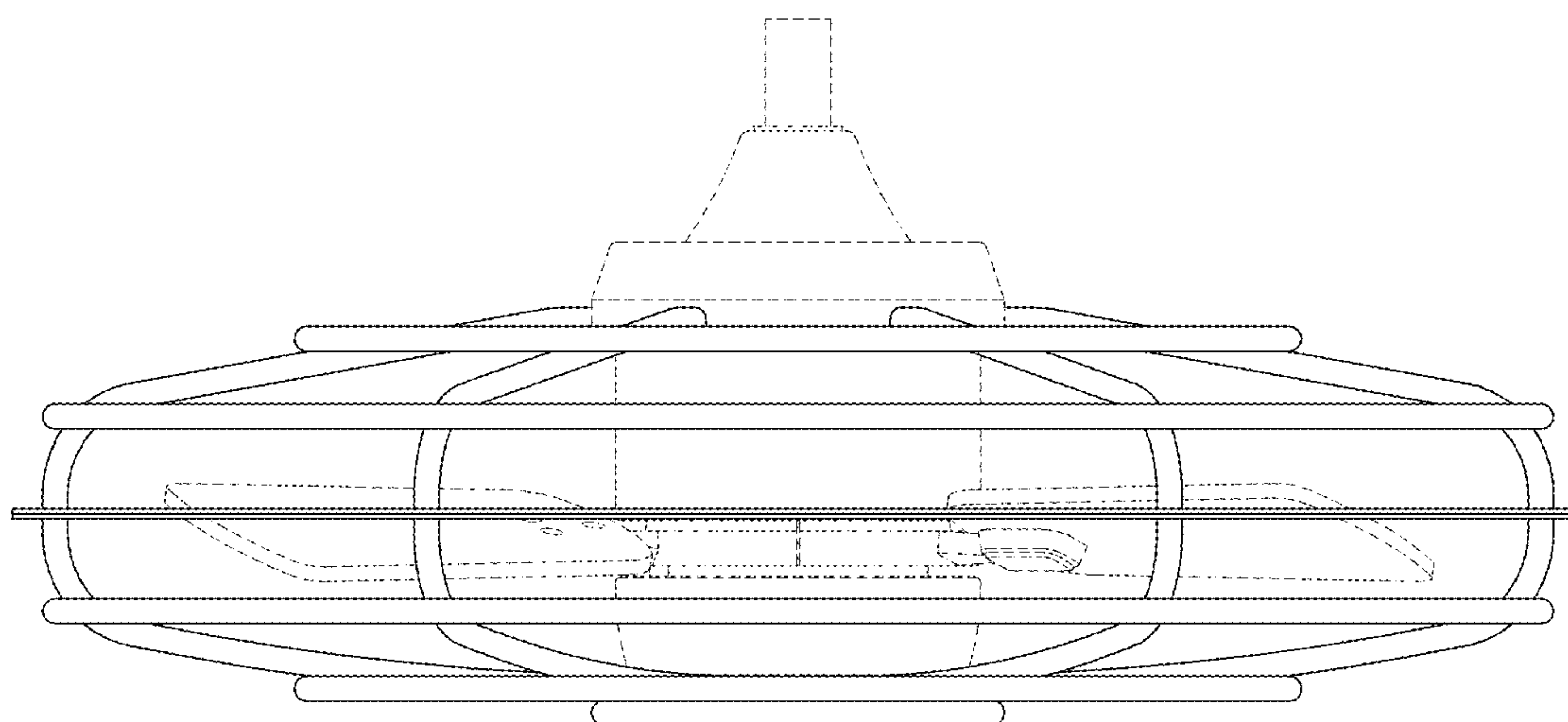


FIG. 3

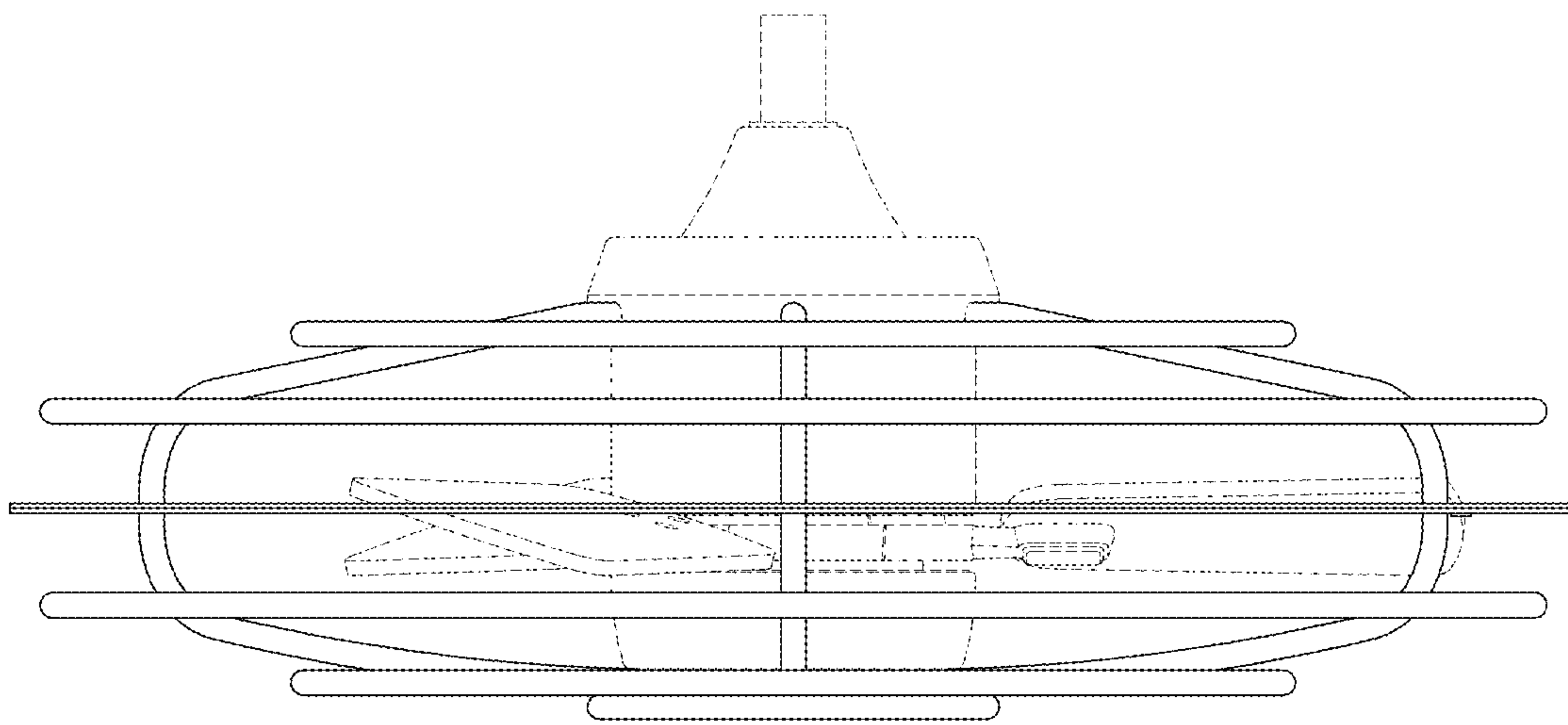


FIG. 4

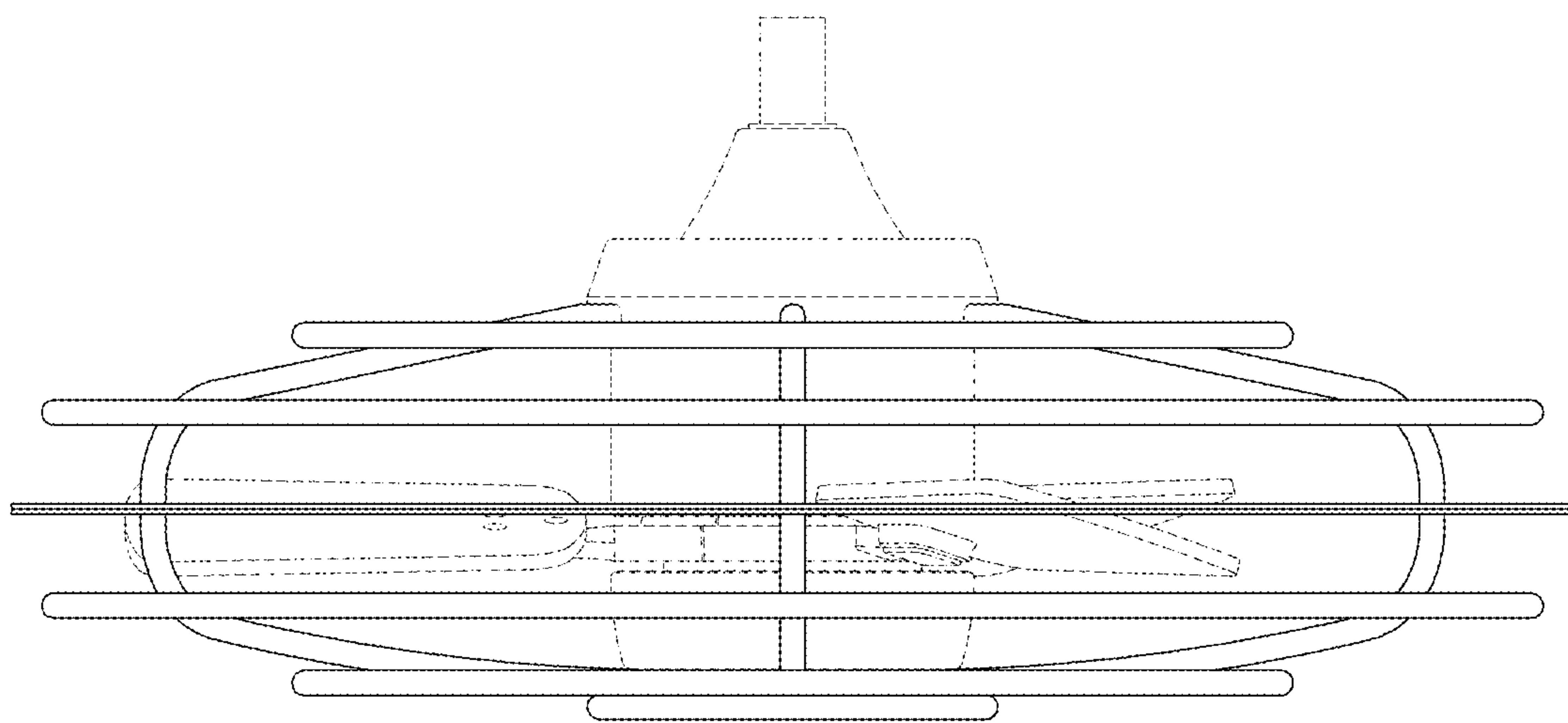


FIG. 5

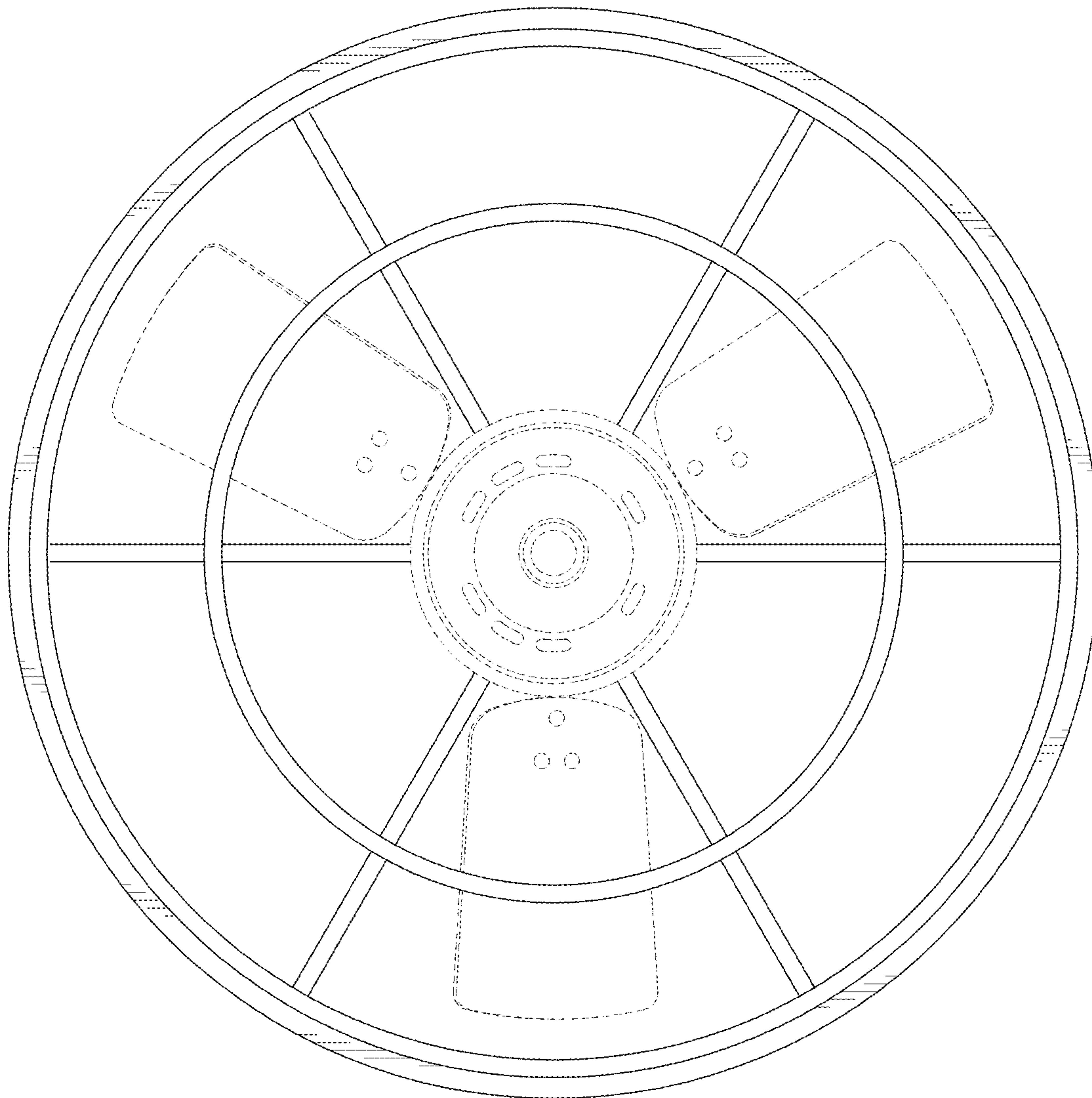


FIG. 6

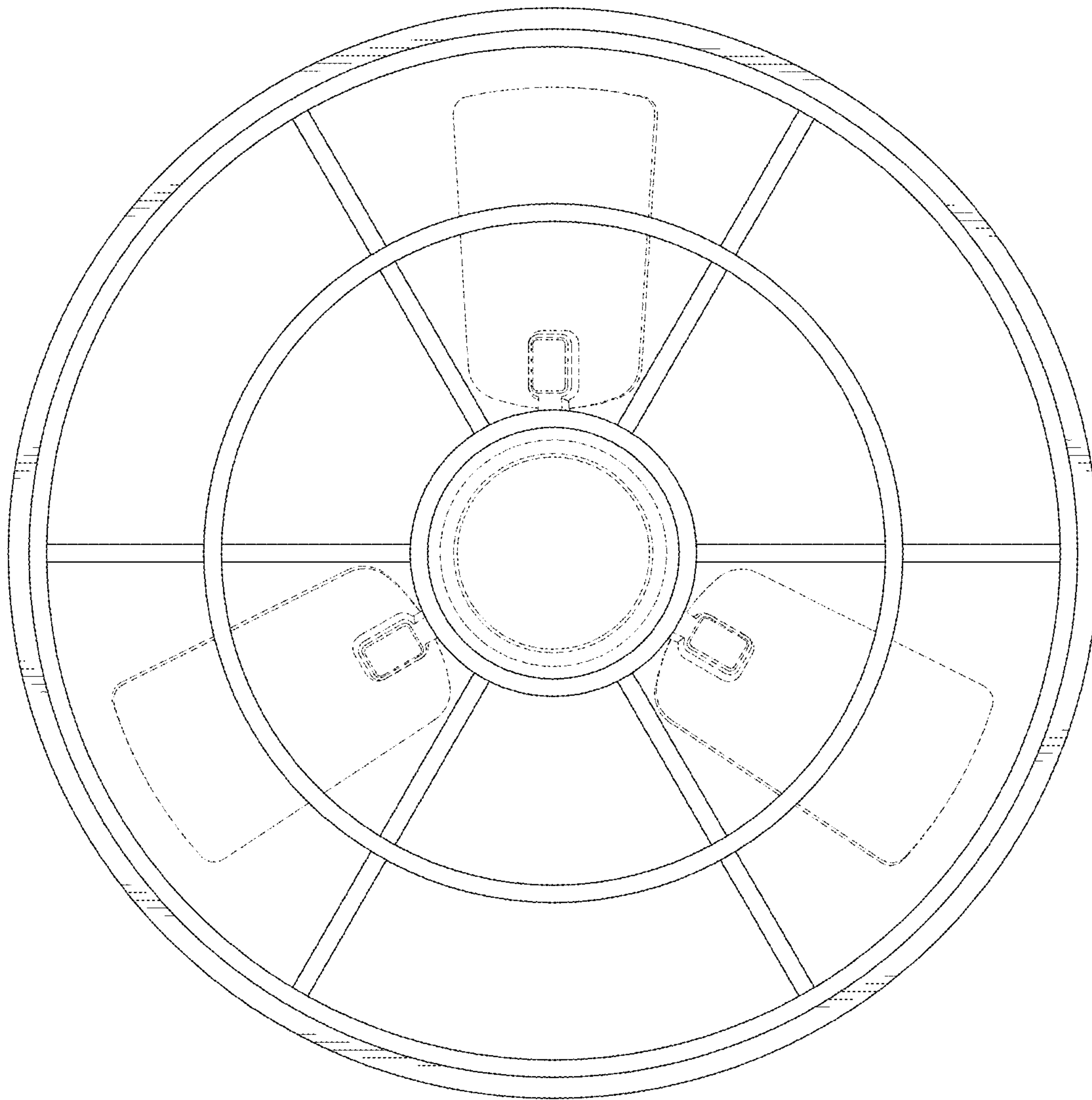


FIG. 7

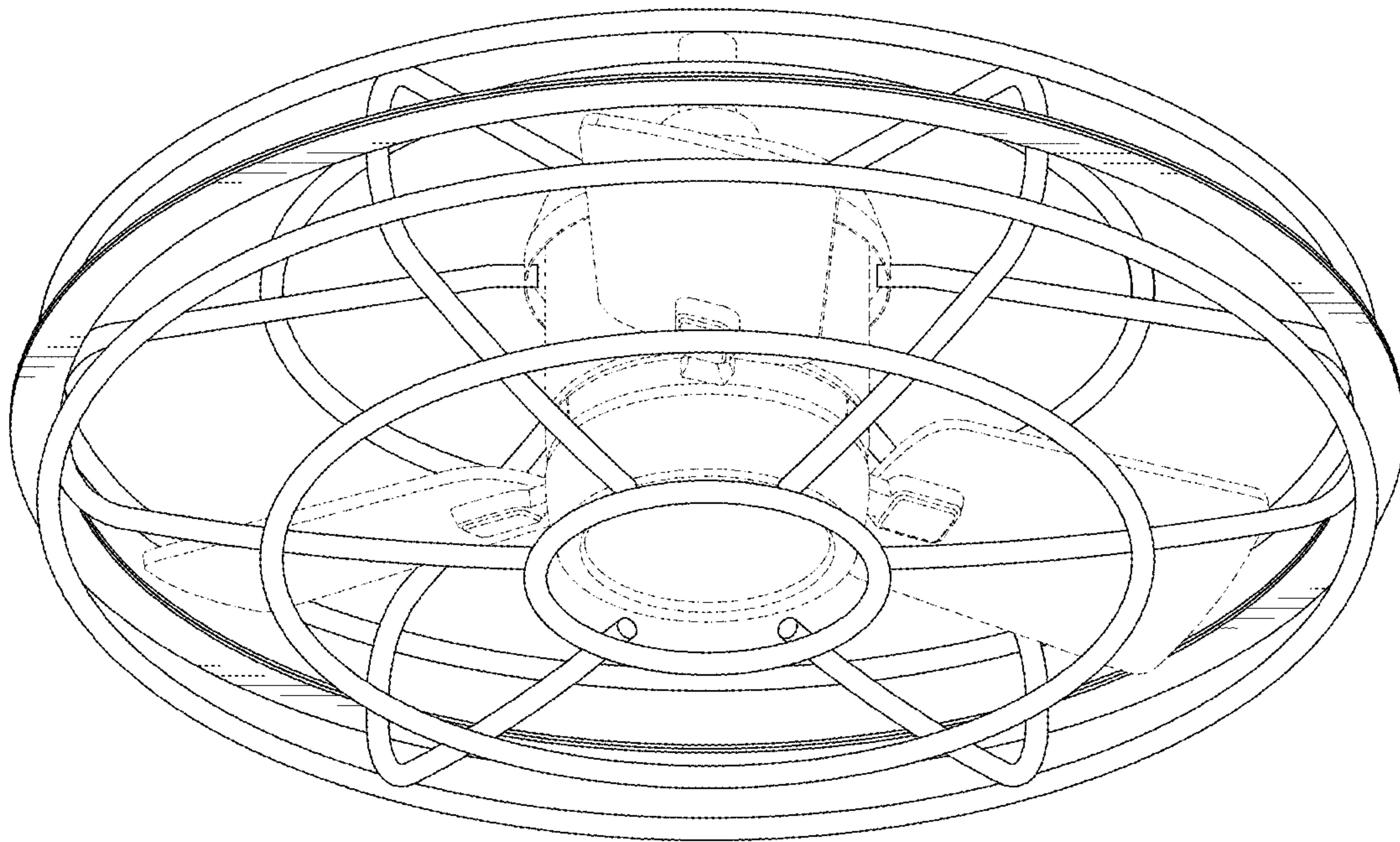


FIG. 8