



US00D952121S

(12) **United States Design Patent**  
**He et al.**

(10) **Patent No.:** **US D952,121 S**  
(45) **Date of Patent:** **\*\* May 17, 2022**

(54) **CEILING FAN WITH LIGHT**

(71) Applicant: **JIANGMEN KEYE ELECTRIC APPLIANCES MANUFACTURING CO., LTD, Jiangmen (CN)**

(72) Inventors: **Xiangming He, Jiangmen (CN); Guanglian Lin, Jiangmen (CN)**

(73) Assignee: **JIANGMEN KEYE ELECTRIC APPLIANCES MANUFACTURING CO., LTD, Jiangmen (CN)**

(\*\*) Term: **15 Years**

(21) Appl. No.: **29/755,380**

(22) Filed: **Oct. 20, 2020**

(30) **Foreign Application Priority Data**

Apr. 21, 2020 (CN) ..... 202030164301.4

(51) **LOC (13) Cl.** ..... **23-04**

(52) **U.S. Cl.**  
USPC ..... **D23/377; D23/382; D26/59**

(58) **Field of Classification Search**  
USPC ..... D23/370, 377, 379, 381–382, 385, D23/411–414; D26/59  
CPC ..... F04D 25/088; F04D 29/38; F04D 29/384; F04D 29/386  
See application file for complete search history.

(56) **References Cited**

**U.S. PATENT DOCUMENTS**

- 4,064,427 A \* 12/1977 Hansen ..... F21S 8/065 415/121.3
- D478,981 S \* 8/2003 Frampton ..... D23/411
- D483,108 S \* 12/2003 Frampton ..... D23/411
- D557,398 S \* 12/2007 Moore ..... D23/382
- D599,471 S \* 9/2009 Borovicka ..... D23/412
- D605,333 S \* 12/2009 Miranda ..... D26/88
- D652,133 S \* 1/2012 Hiner ..... D23/377

- D676,543 S \* 2/2013 Hiner ..... D23/385
- D676,952 S \* 2/2013 Hiner ..... D23/377
- D698,914 S \* 2/2014 Love ..... D23/377
- D698,915 S \* 2/2014 Christopher ..... D23/377
- D764,652 S \* 8/2016 Weiss ..... D23/390
- D779,049 S \* 2/2017 Wang ..... D23/370
- D804,645 S \* 12/2017 Habig ..... D23/377
- D882,060 S \* 4/2020 Wang ..... D23/382
- D920,498 S \* 5/2021 Habig ..... D23/411
- D945,595 S \* 3/2022 Biancuzzo ..... D23/382
- 2013/0114245 A1 \* 5/2013 Todd, Jr. .... F04D 29/582 362/96

(Continued)

**OTHER PUBLICATIONS**

Hunter Tunley Indoor Ceiling Fan with LED Light and Wall Control, date first available Mar. 30, 2020, site visited Mar. 7, 2022, <<https://www.amazon.com/Hunter-Tunley-Ceiling-Control-Brushed/dp/B086L1R4VC?th=1>>.\*

(Continued)

*Primary Examiner* — Sharon S Oum

(74) *Attorney, Agent, or Firm* — Innovation Capital Law Group, LLP; Vic Lin

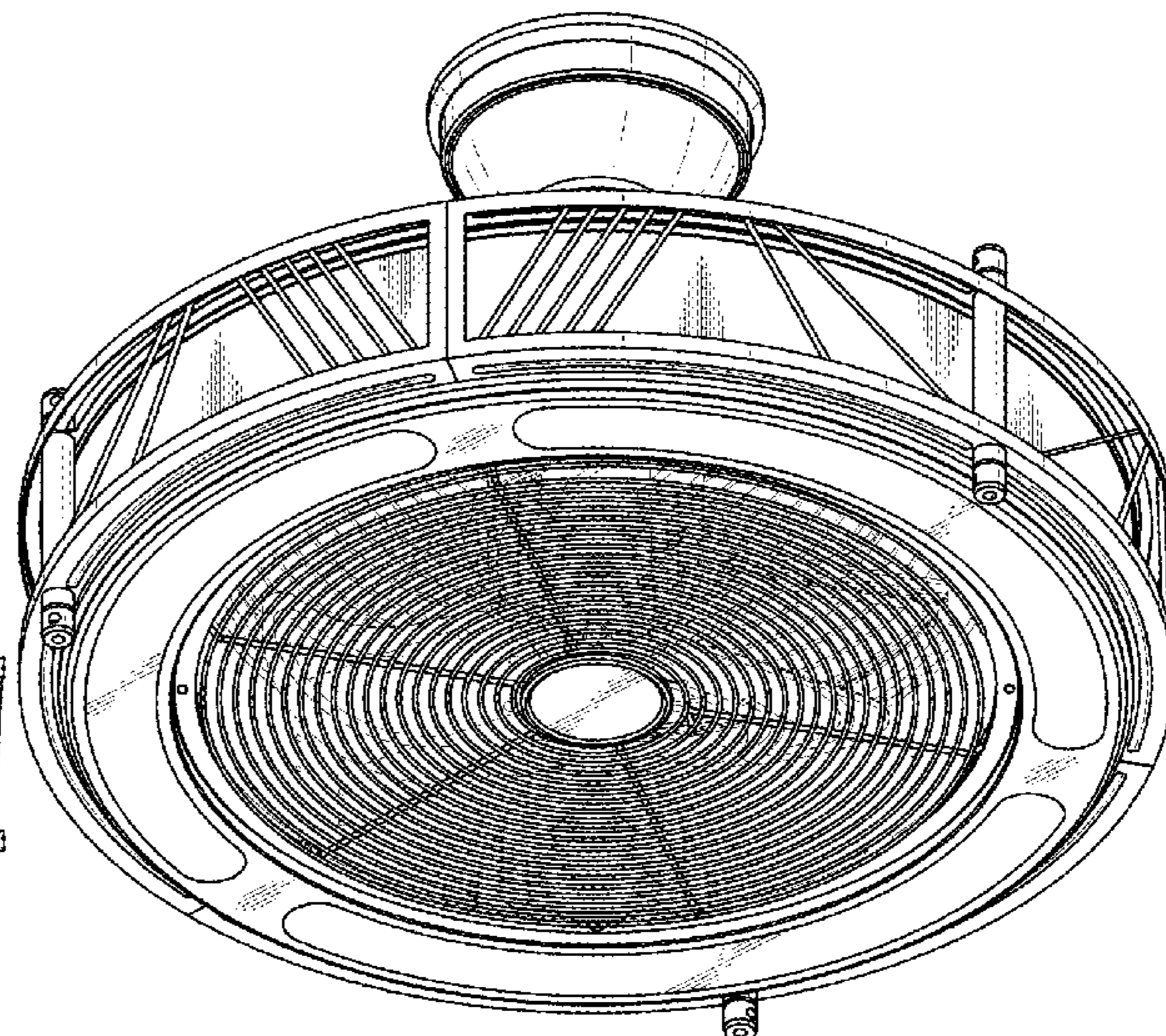
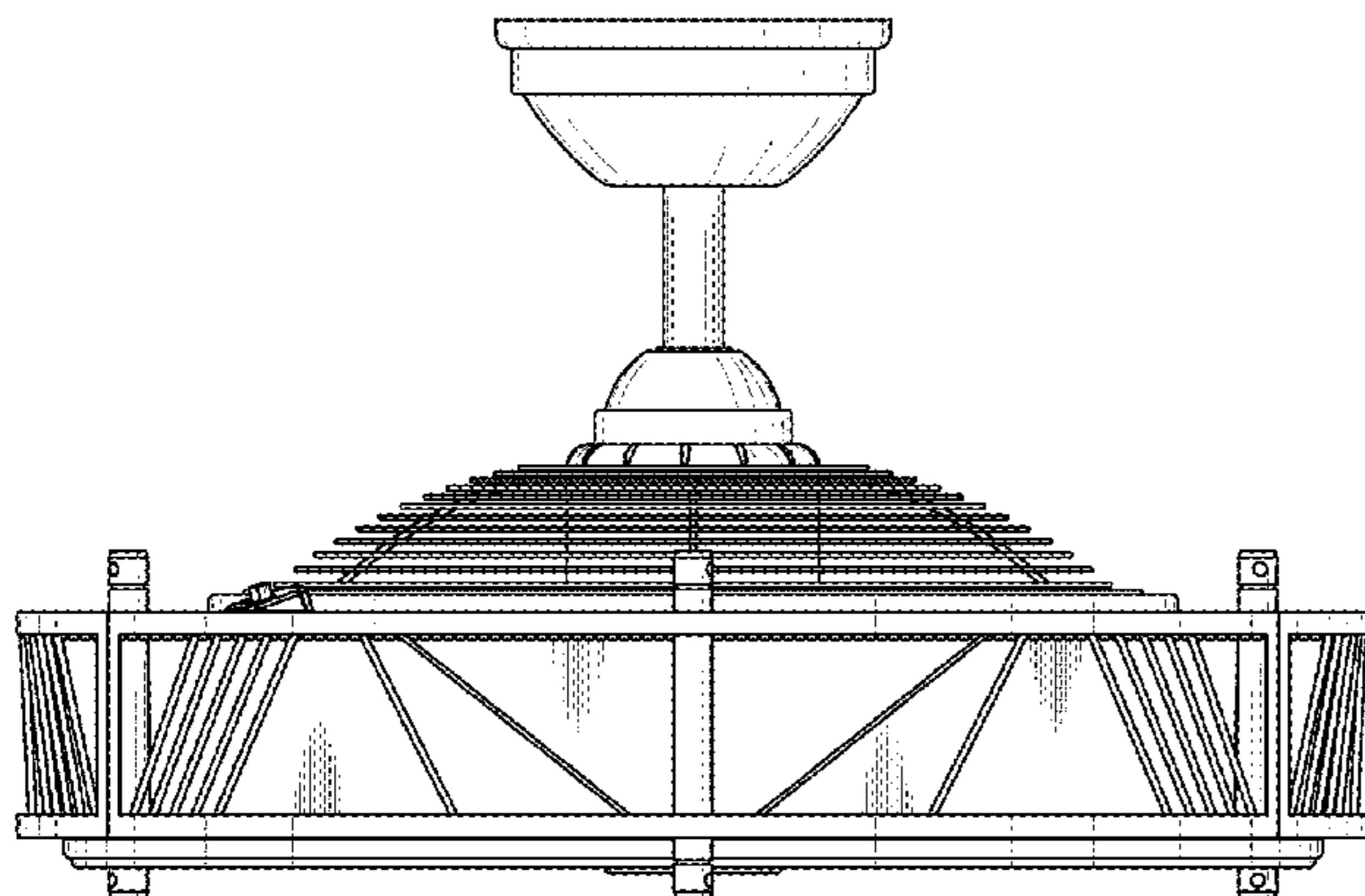
(57) **CLAIM**

The ornamental design for a ceiling fan with light, as shown and described.

**DESCRIPTION**

FIG. 1 is a front elevation view of a ceiling fan with light, showing our new design;  
FIG. 2 is a rear elevation view thereof;  
FIG. 3 is a left elevation view thereof;  
FIG. 4 is a right elevation view thereof;  
FIG. 5 is a top plan view thereof;  
FIG. 6 is a bottom plan view thereof;  
FIG. 7 is a top perspective view thereof; and,  
FIG. 8 is a bottom perspective view thereof.

**1 Claim, 8 Drawing Sheets**



(56)

**References Cited**

U.S. PATENT DOCUMENTS

2016/0363313 A1 \* 12/2016 Wang ..... F21V 19/0055

OTHER PUBLICATIONS

Home Decorators Collection Brette 23 in. LED Indoor/Outdoor Ceiling Fan, date first available Jul. 8, 2019, site visited Mar. 7, 2022, <[https://www.amazon.com/Home-Decorators-Collection-Outdoor-Espresso/dp/B07TW2LN83/ref=pd\\_rhf\\_dp\\_s\\_all\\_spx\\_wp\\_7/138-0375898-4148931?pd\\_rd\\_w=MV4eE&pf\\_rd\\_p=cfcbf4ee-c7ed-4129-9e85-19f540a08162&pf\\_rd\\_r=1V2GC4ZRPF8HT3ZAJ2JN&pd\\_rd\\_r\\_32\\_f3400b32-45ce-4a8e-9b46-01dfc823ddf3&pd\\_rd\\_wg=cFp1p&pd\\_rd\\_i=B07TW2LN83&psc=1](https://www.amazon.com/Home-Decorators-Collection-Outdoor-Espresso/dp/B07TW2LN83/ref=pd_rhf_dp_s_all_spx_wp_7/138-0375898-4148931?pd_rd_w=MV4eE&pf_rd_p=cfcbf4ee-c7ed-4129-9e85-19f540a08162&pf_rd_r=1V2GC4ZRPF8HT3ZAJ2JN&pd_rd_r_32_f3400b32-45ce-4a8e-9b46-01dfc823ddf3&pd_rd_wg=cFp1p&pd_rd_i=B07TW2LN83&psc=1)>.\*

\* cited by examiner

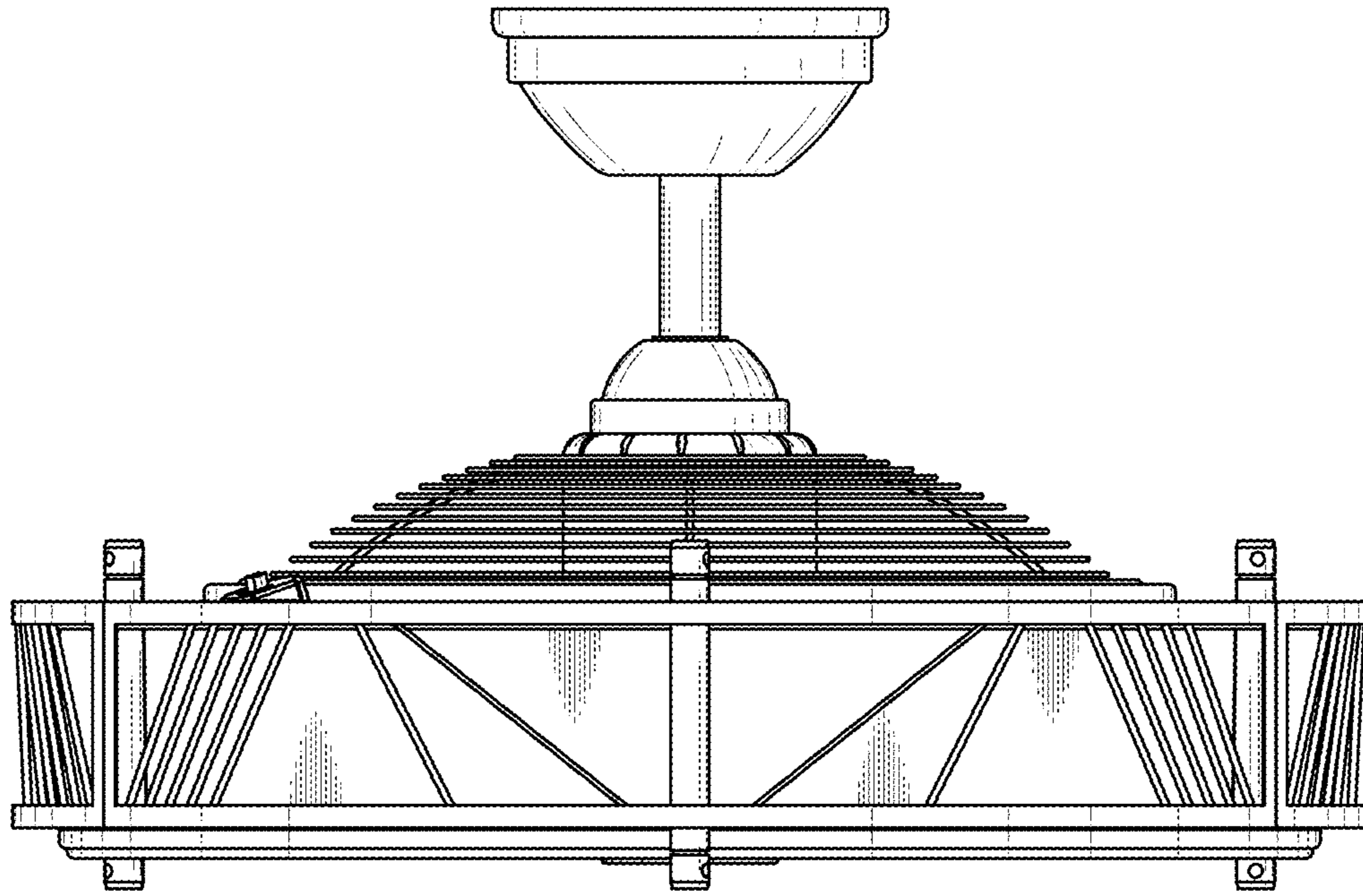


FIG. 1

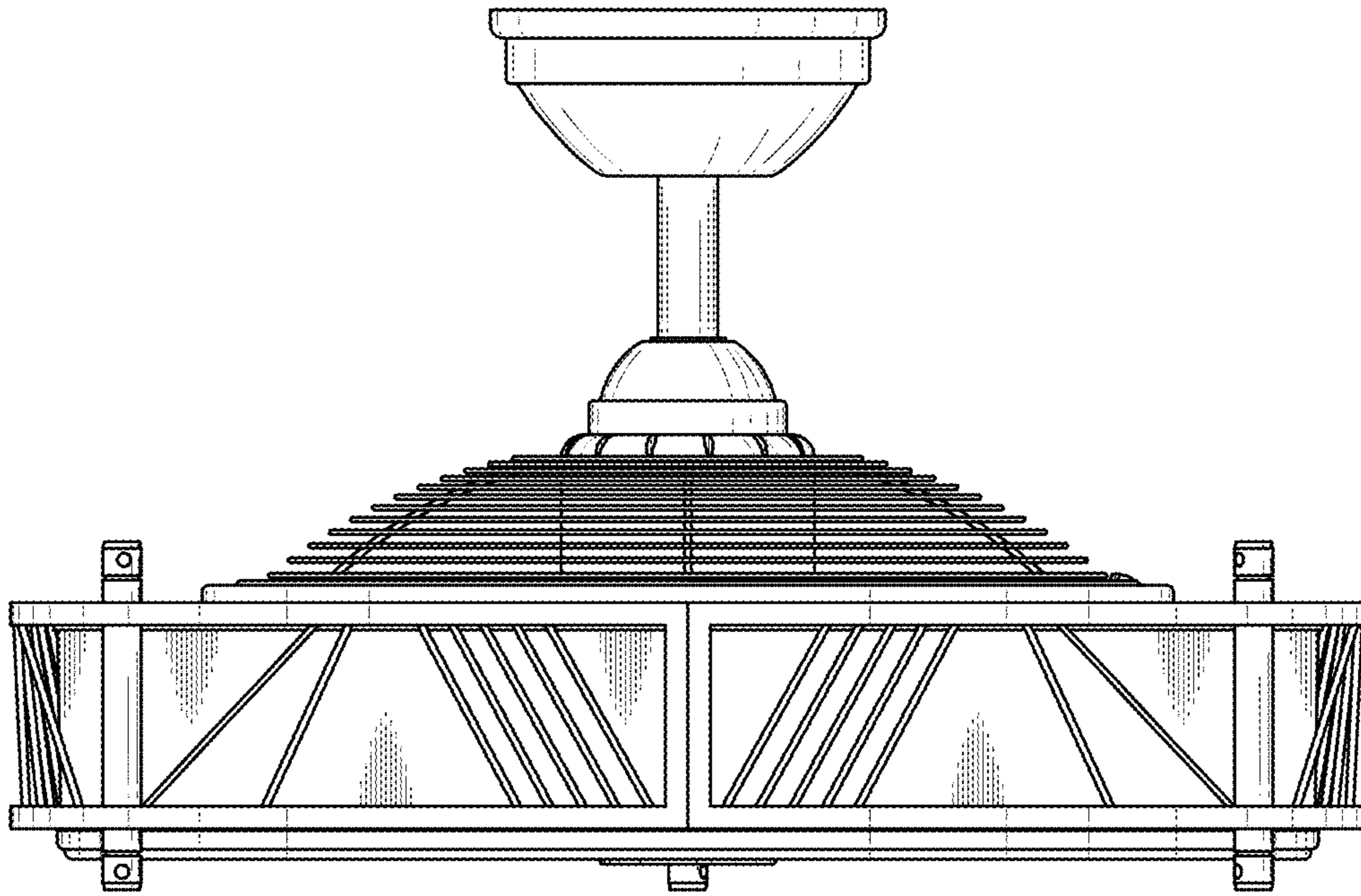


FIG. 2



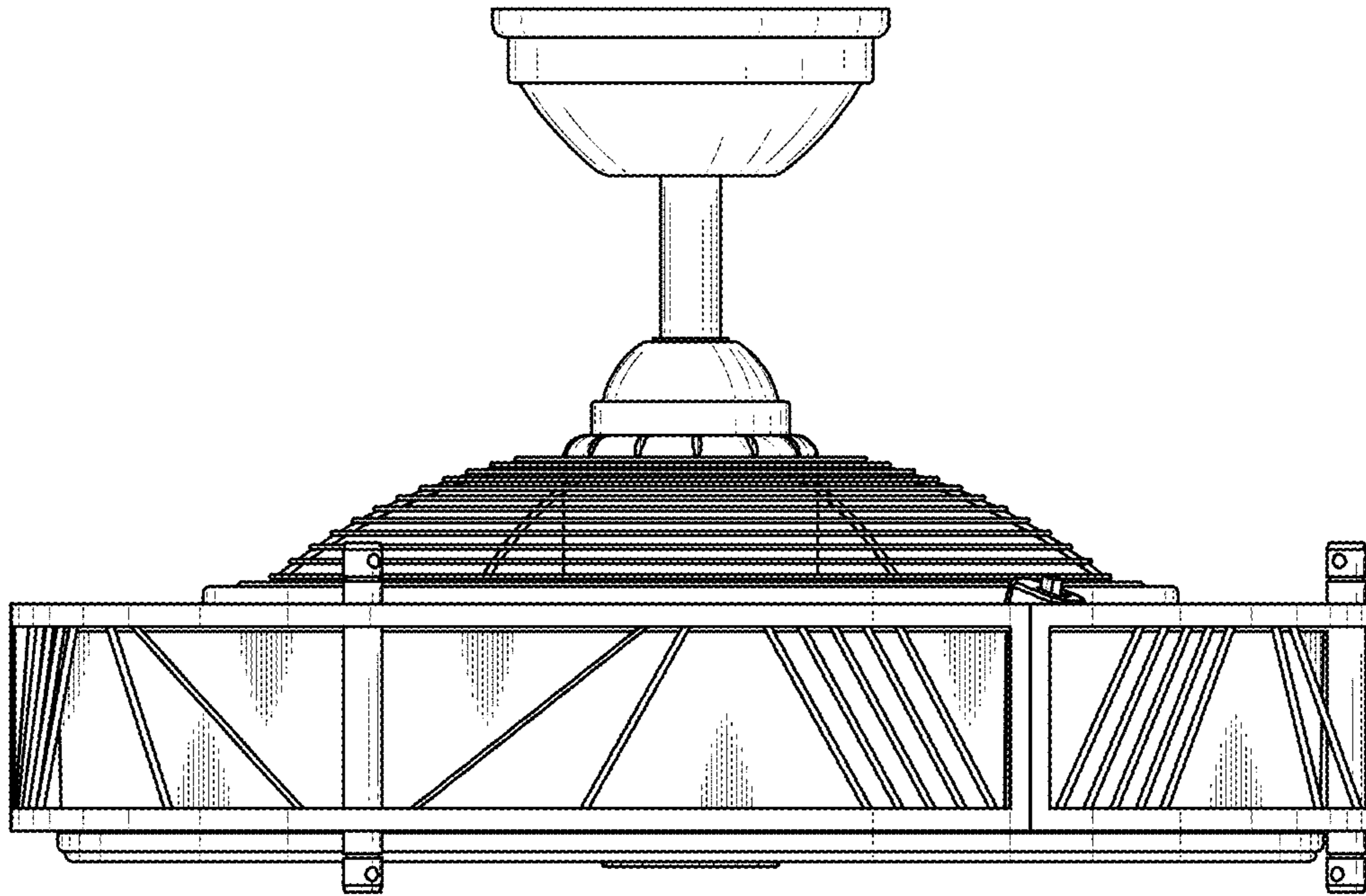


FIG. 3

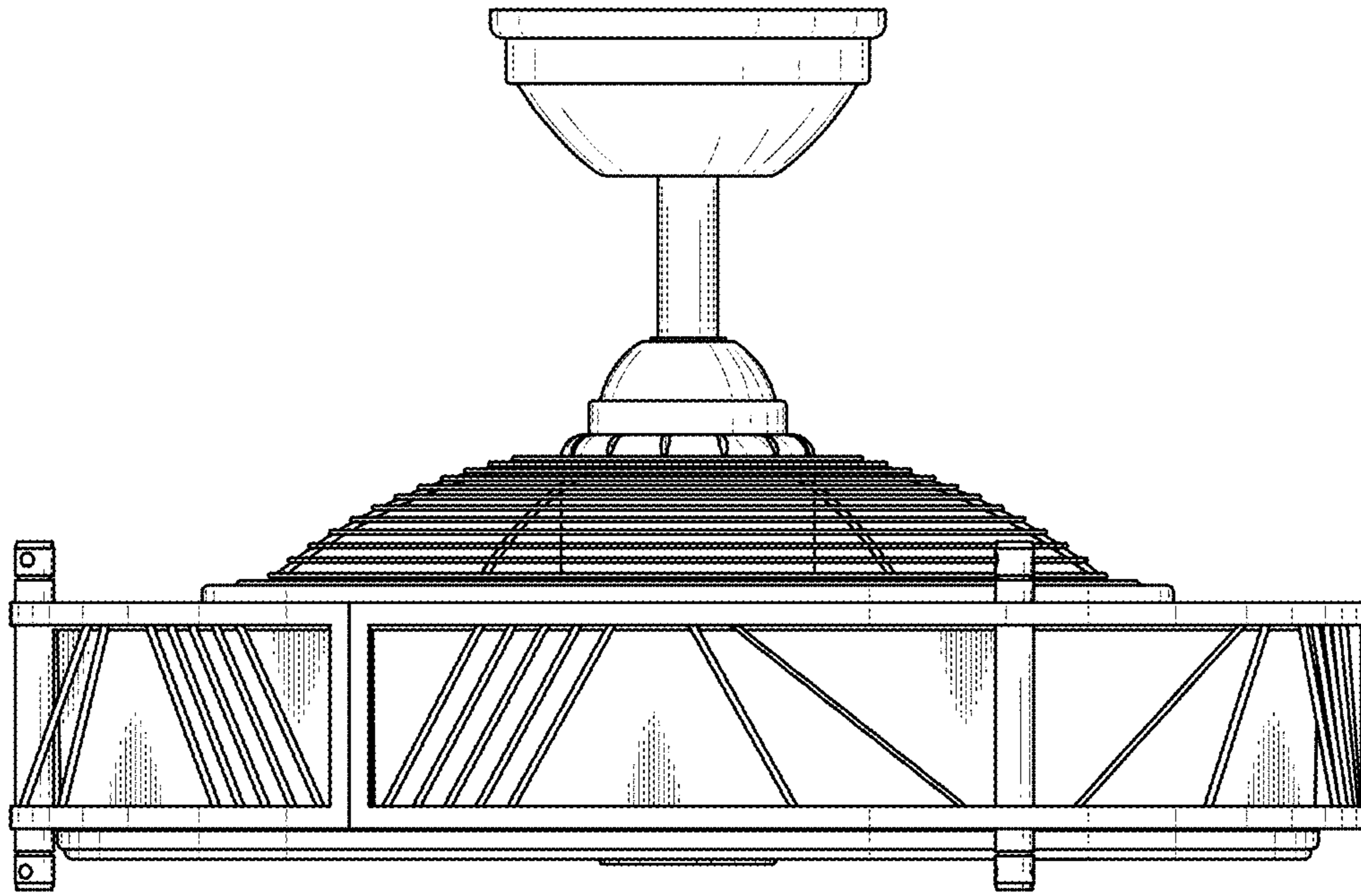


FIG. 4

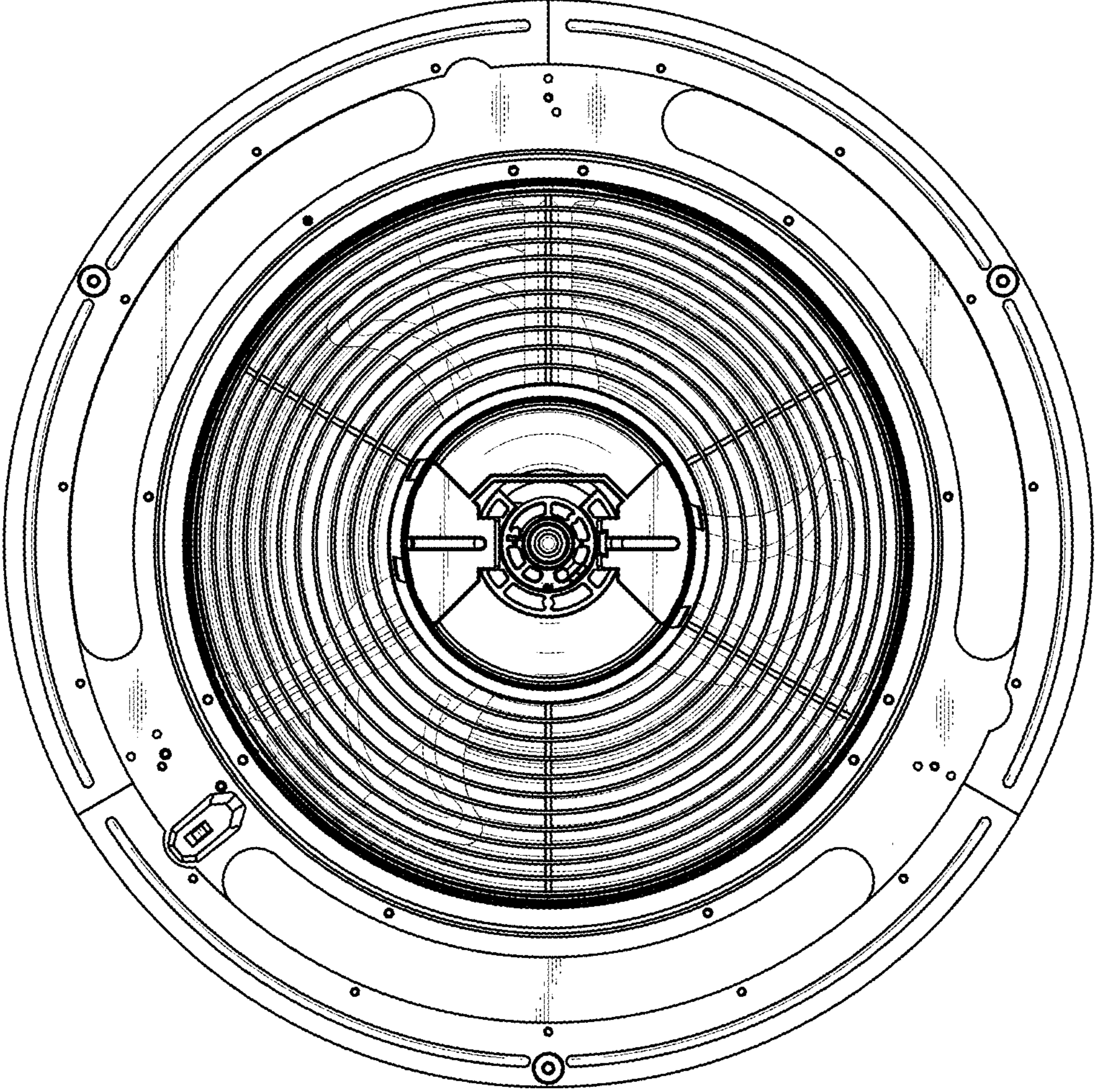


FIG. 5



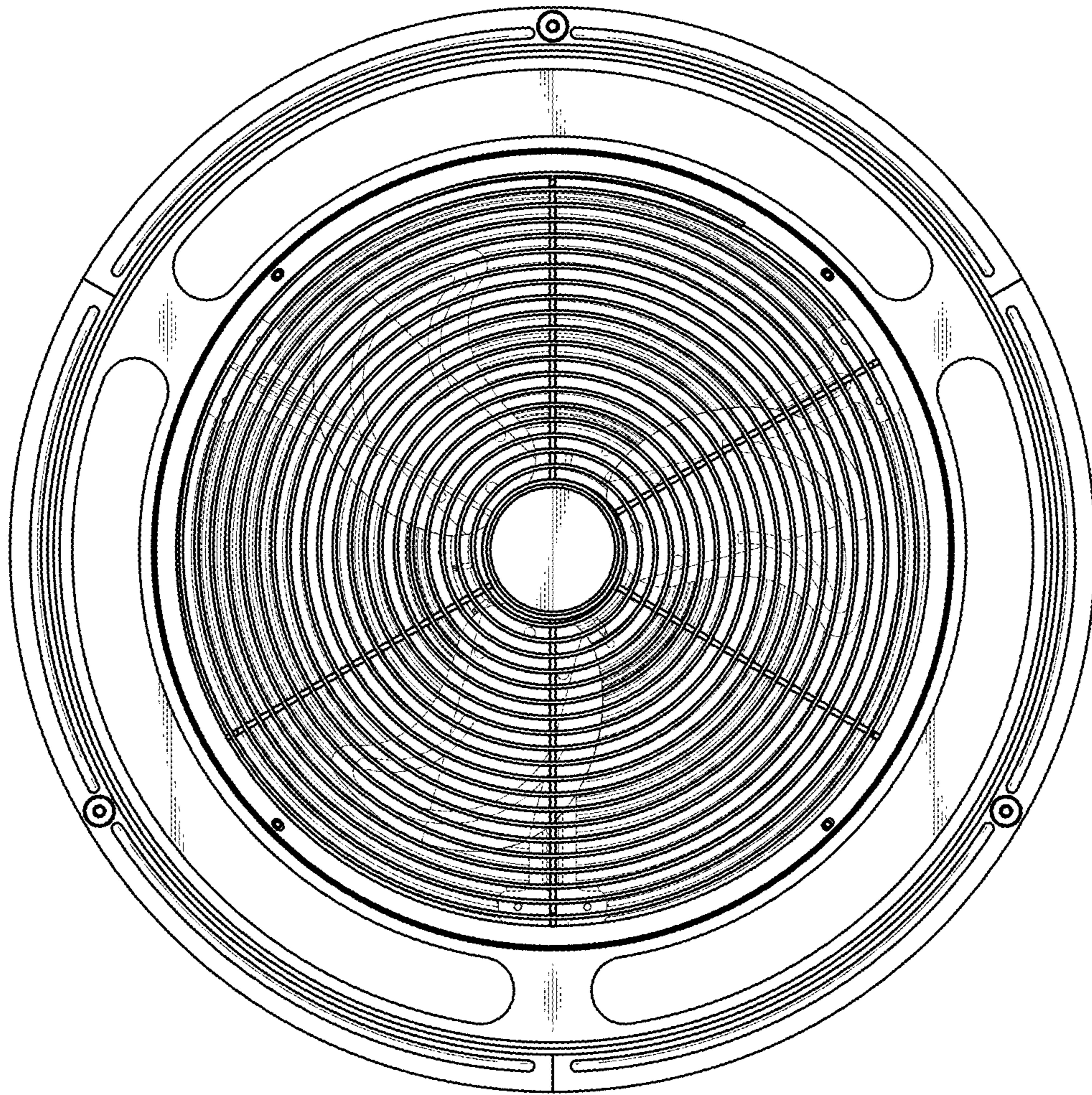


FIG. 6



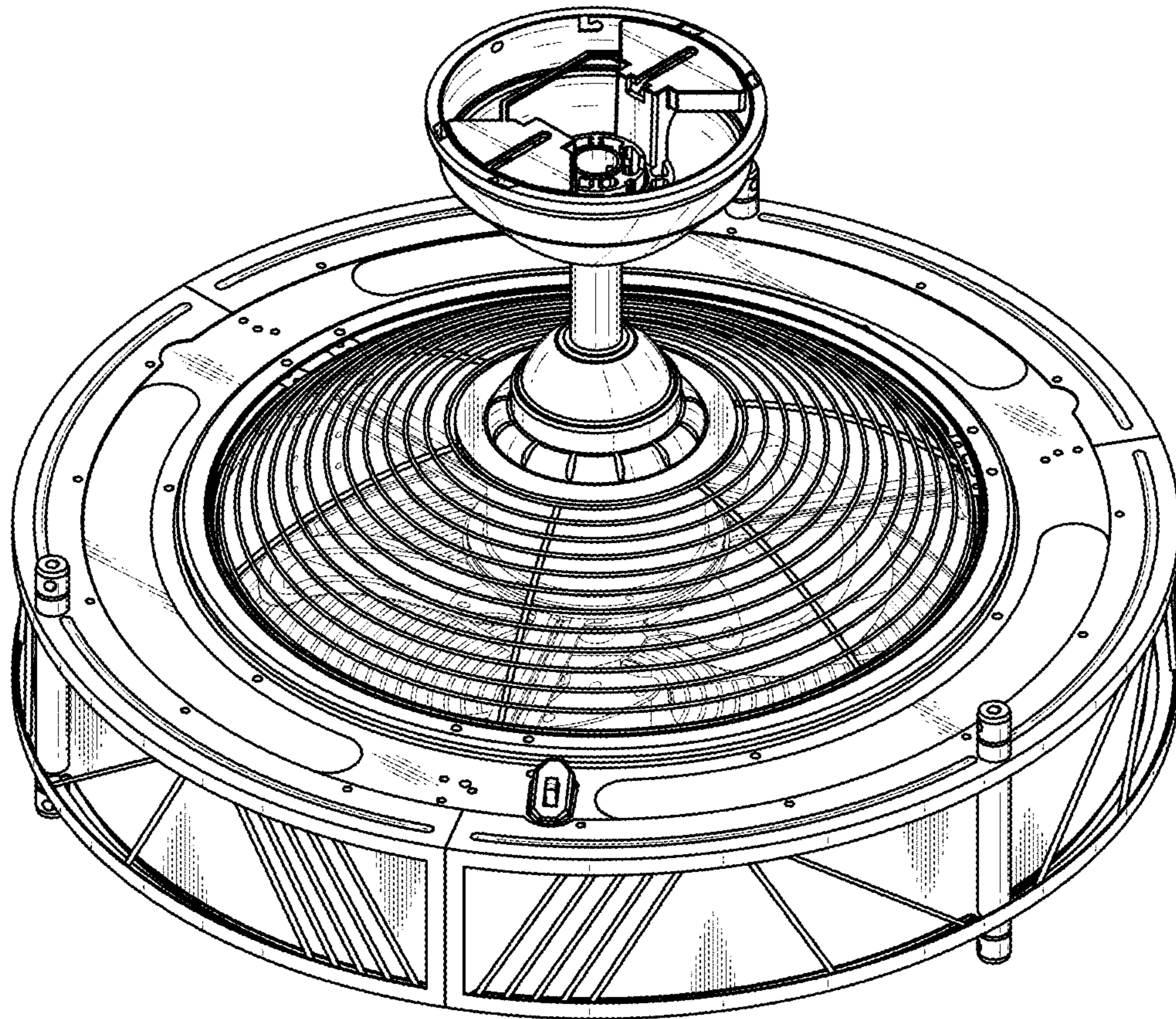


FIG. 7

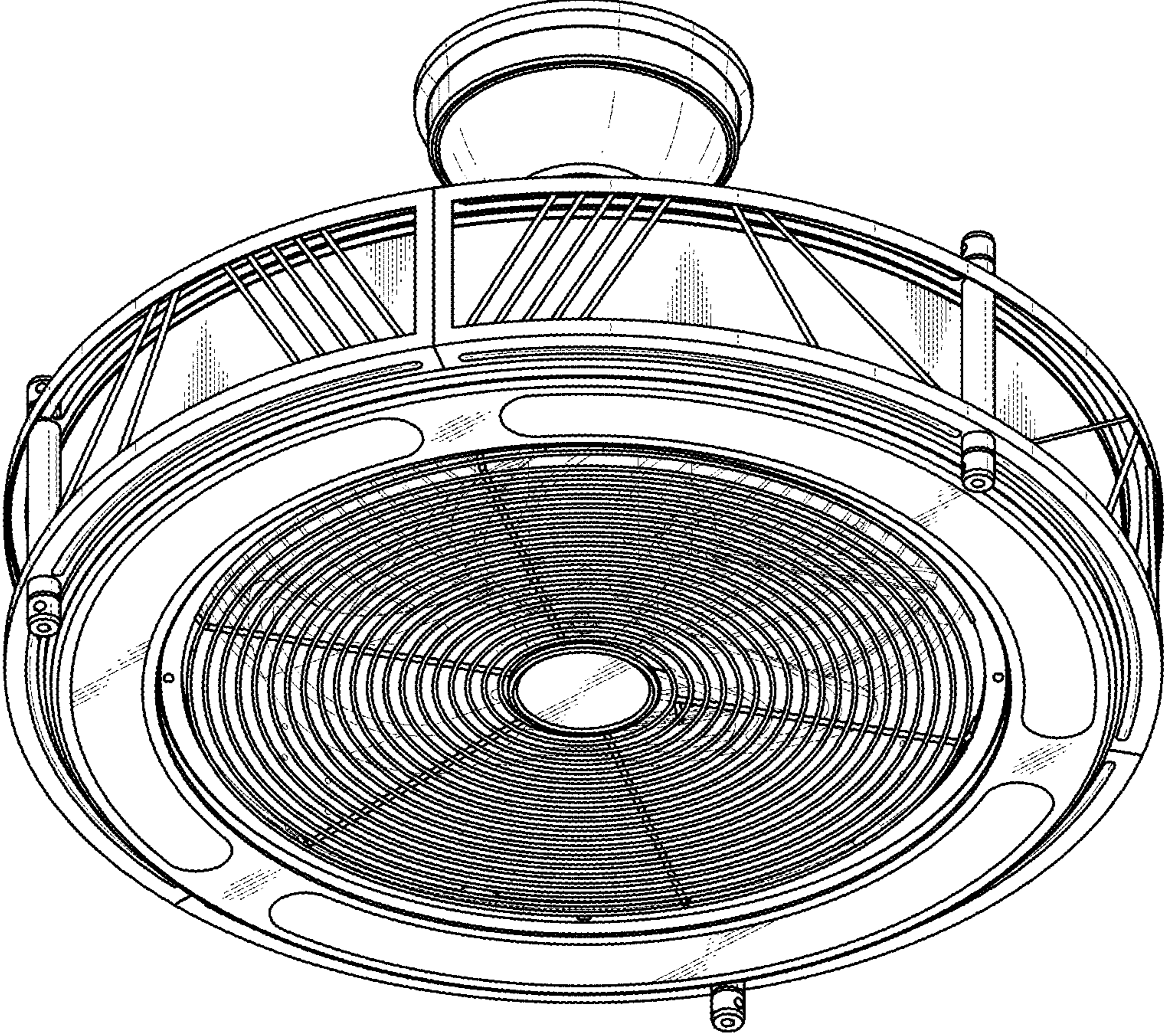


FIG. 8