



US00D952120S

(12) **United States Design Patent**  
**Eiffert**

(10) **Patent No.:** **US D952,120 S**  
(45) **Date of Patent:** **\*\* May 17, 2022**

(54) **CEILING FAN**

- (71) Applicant: **Hunter Fan Company**, Memphis, TN (US)
- (72) Inventor: **Ryan Lee Eiffert**, Memphis, TN (US)
- (73) Assignee: **Hunter Fan Company**, Memphis, TN (US)
- (\*\*) Term: **15 Years**
- (21) Appl. No.: **29/748,335**
- (22) Filed: **Aug. 28, 2020**
- (51) **LOC (13) Cl.** ..... **23-04**
- (52) **U.S. Cl.**  
USPC ..... **D23/377**
- (58) **Field of Classification Search**  
USPC ..... D23/370, 377, 385, 411, 413; D26/59  
CPC .. F04D 25/088; F04D 29/005; F04D 29/4226;  
F21V 33/0096; F21V 21/03; F21V 21/02;  
F21V 3/02  
See application file for complete search history.

(56) **References Cited**

**U.S. PATENT DOCUMENTS**

D795,411 S *	8/2017	Wang	.....	D23/377
D799,668 S	10/2017	Wang		
D800,891 S *	10/2017	McRoberts	.....	D23/377
D804,630 S	12/2017	Holmes et al.		
D804,639 S	12/2017	Guthrie		
D805,174 S *	12/2017	Guthrie	.....	D23/377
D809,644 S *	2/2018	Holmes	.....	D23/377
D844,769 S *	4/2019	McRoberts	.....	D23/411
D867,573 S *	11/2019	Guthrie	.....	D23/411
D874,635 S	2/2020	Holmes et al.		
D877,881 S *	3/2020	Hidalgo	.....	D23/377
D886,980 S *	6/2020	McRoberts	.....	D23/377
D890,320 S *	7/2020	Holmes	.....	D23/377
D911,510 S *	2/2021	Guthrie	.....	D23/377

**OTHER PUBLICATIONS**

- <https://www.kichler.com/kichler/products/ceiling-fans/indoor-ceiling-fans/52-inch-lucian-led-fan-ni/>, Kichler Lucian LED 52" Fan Brushed Nickel, Model No. 330000NI, accessed May 18, 2020.
- <https://www.hunterfan.com/collections/casablanca-ceiling-fans/products/ceiling-fans-casablanca-axial-with-led-light-52-inch-fam813>, Casablanca Axial with LED light 52 inch Ceiling Fan, Item No. 59341, accessed May 18, 2020.
- <https://www.hunterfan.com/collections/ceiling-fans/products/ceiling-fans-visalia-outdoor-with-led-light-52-inch-famd91>, Casablanca Visalia Outdoor with LED Light 52 inch, Item No. 53430, accessed May 18, 2020.
- <https://www.luminancebrands.com/fans/cf205lges.html>, Emerson Highpointe LED Ceiling Fan, Model No. CF205LGES, accessed May 18, 2020.

(Continued)

*Primary Examiner* — Janice Hallmark  
(74) *Attorney, Agent, or Firm* — McGarry Bair PC

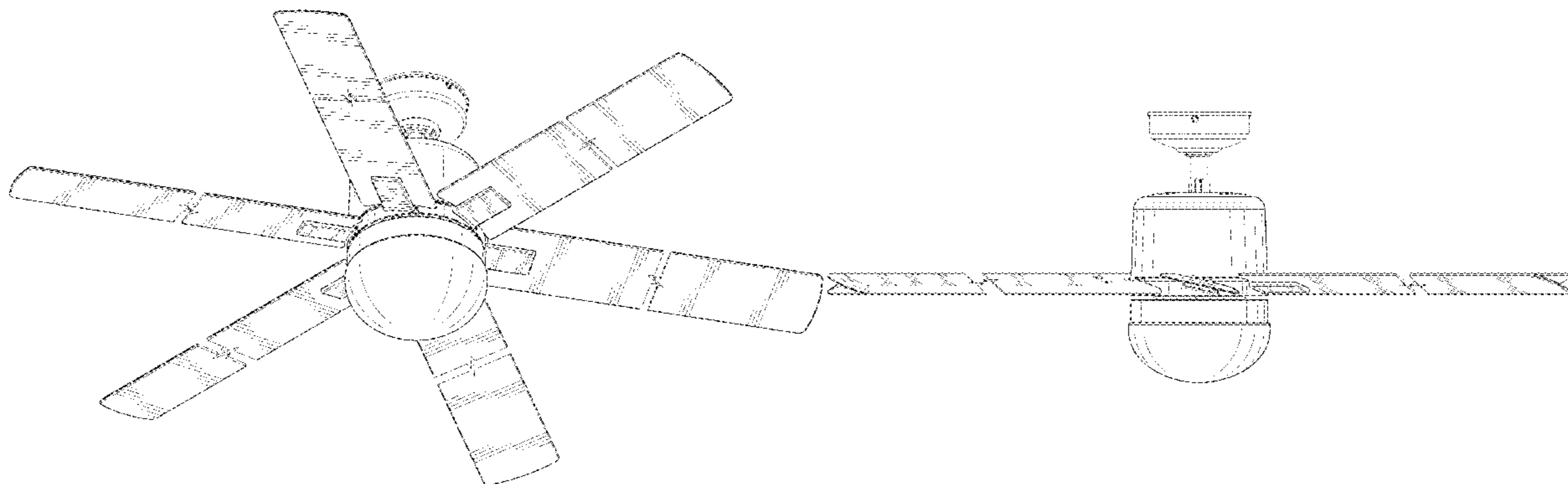
(57) **CLAIM**

The ornamental design for a ceiling fan, as shown and described.

**DESCRIPTION**

FIG. 1 is a top perspective view of a ceiling fan, showing my new design.  
 FIG. 2 is a bottom perspective view thereof;  
 FIG. 3 is a top view thereof;  
 FIG. 4 is a bottom view thereof;  
 FIG. 5 is a front view thereof; and,  
 FIG. 6 is a side view thereof.  
 Portions of the ceiling fan shown in broken lines form no part of the claimed design. The ceiling fan blades of the ceiling fan show broken jagged lines that depict a symbolic break in length and form no part of the claimed design.

**1 Claim, 6 Drawing Sheets**



(56)

**References Cited**

OTHER PUBLICATIONS

<https://www.lowes.com/pd/Harbor-Breeze-Bradbury-60-in-Brushed-White-LED-Indoor-Ceiling-Fan-with-Light-Kit-and-Remote-6-Blade/1001211794>, Harbor Breeze Bradbury 60-in Brushed White LED Indoor Ceiling Fan with Light Kit and Remote, Model No. BRD60BNK6LRS, accessed May 18, 2020.

<https://www.lowes.com/pd/Hunter-Windemere-II-LED-54-in-Brushed-Bronze-Indoor-Ceiling-Fan-with-Light-Kit-and-Remote-5-Blade/1000550533>, Hunter Fan Windemere II LED 54-in Brushed Bronze Indoor Ceiling Fan with Light Kit and Remote, Item No. 1159050, accessed May 18, 2020.

<https://www.kichler.com/kichler/products/ceiling-fans/indoor-ceiling-fans/52-inch-leeds-led-ceiling-fan-ap/>, Kichler Leeds LED 52" Fan Antique Pewter, Model No. 300457AP, accessed May 18, 2020.

<https://fanimation.com/products/fans/damp-rated/benito-v2/>, Fanimation Benito v2 52" Indoor/Outdoor Ceiling Fan, Model No. FP8003bdz, accessed May 18, 2020.

<https://www.luminancebrands.com/fans/cf5300grt.html>, Emerson Blade Select Series Ion Eco Ceiling Fan, Model No. CF5300GRT, accessed May 18, 2020.

<https://www.craftmade.com/teana-tea52w4>, Craftmade Teana 52" Ceiling Fan with Blades, Light Kit and Remote, Model No. TEA52W4, accessed May 18, 2020.

<https://www.luminancebrands.com/fans/cf330bq.html>, Emerson Ideal Eco Ceiling Fan, Model No. CF330BQ, accessed May 18, 2020.

<https://www.luminancebrands.com/fans/cf985lpt.htm>, Emerson Aira Eco LED Ceiling Fan, Model No. CF985LPT, accessed May 18, 2020.

<https://fanimation.com/products/fans/wet-rated/odyn-custom/>, Fanimation Odyn Custom Ceiling Fan, accessed May 18, 2020.

<https://www.luminancebrands.com/fans/cf880lorb.html>, Emerson Amhurst LED 54-in Ceiling Fan, Model No. CF880LORB, accessed May 18, 2020.

<https://www.hunterfan.com/collections/casablanca-ceiling-fans/products/ceiling-fans-casablanca-paume-outdoor-with-led-light-54-inch-fam949>, Casablanca Paume Outdoor with LED Light 54 inch Ceiling Fan, Item No. 59428, accessed May 18, 2020.

\* cited by examiner

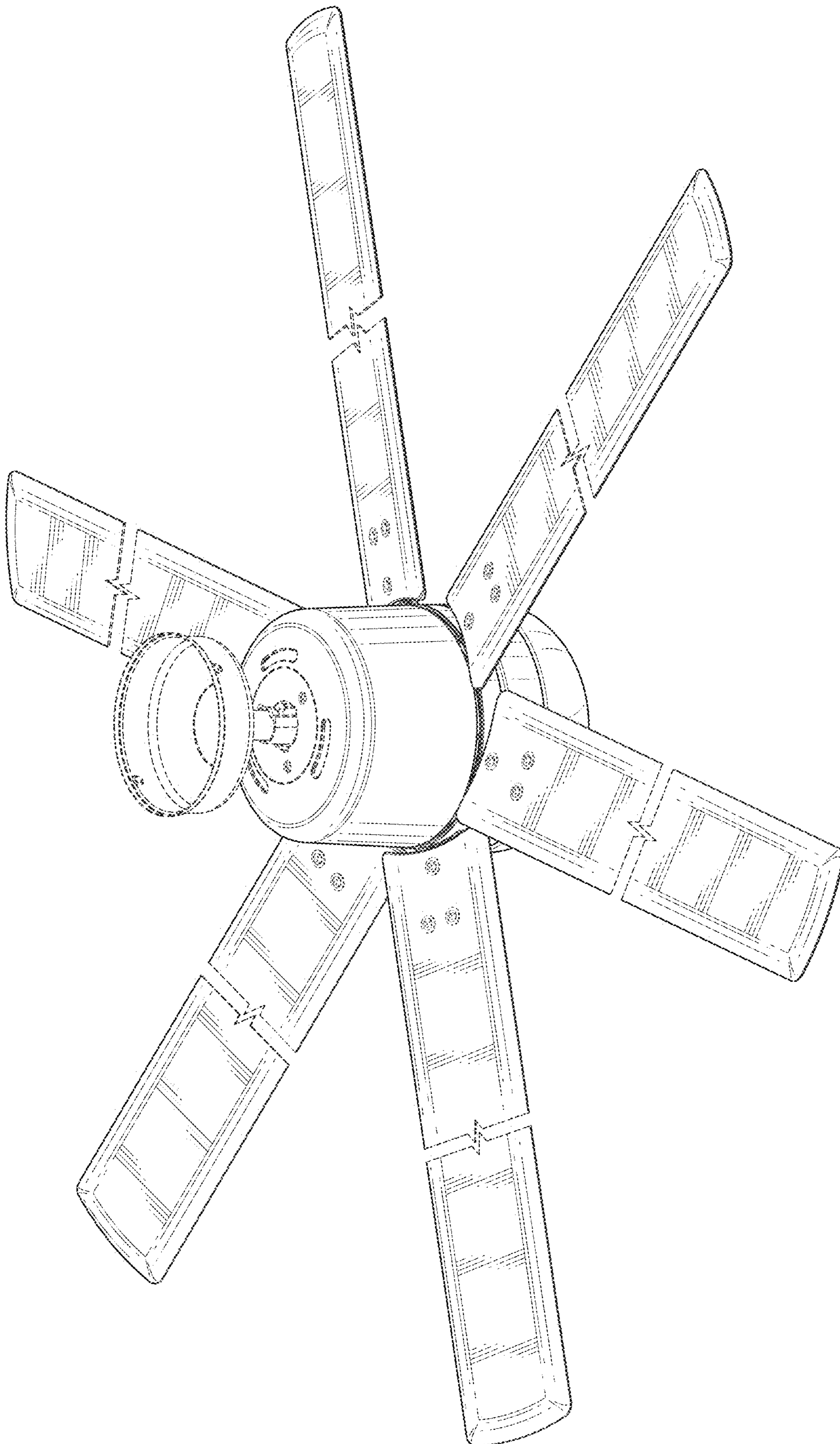


FIG. 1

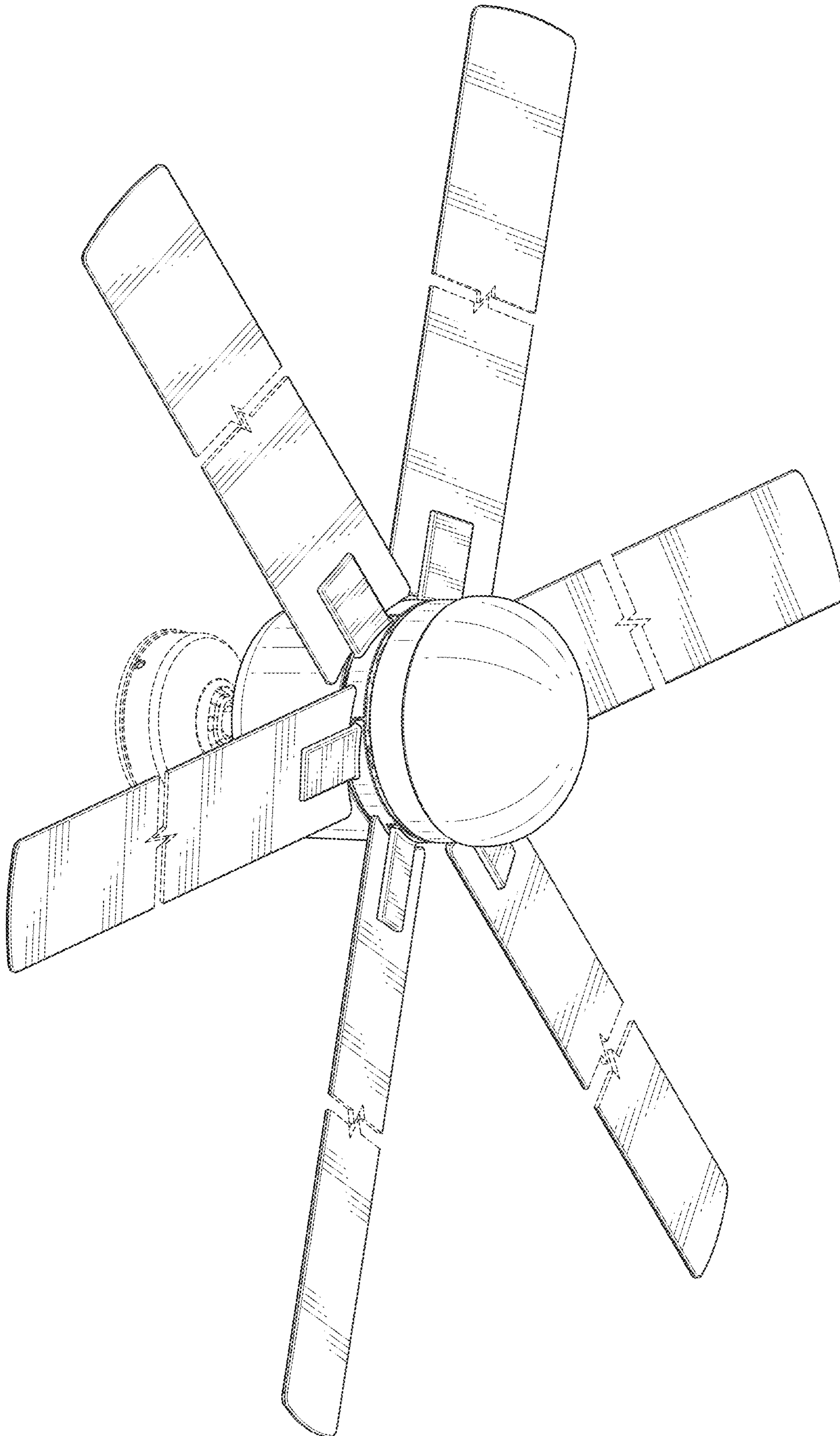


FIG. 2

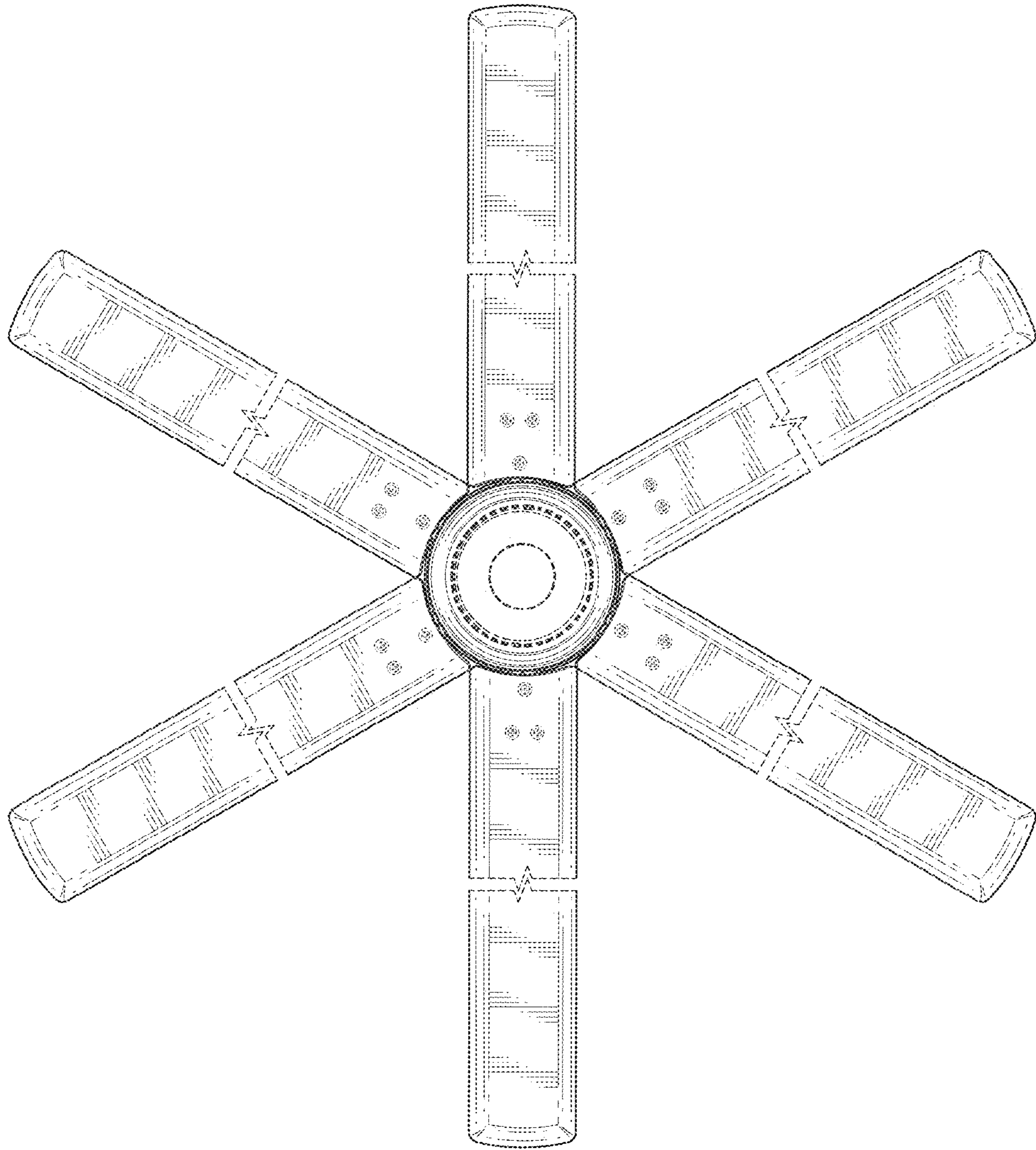


FIG. 3

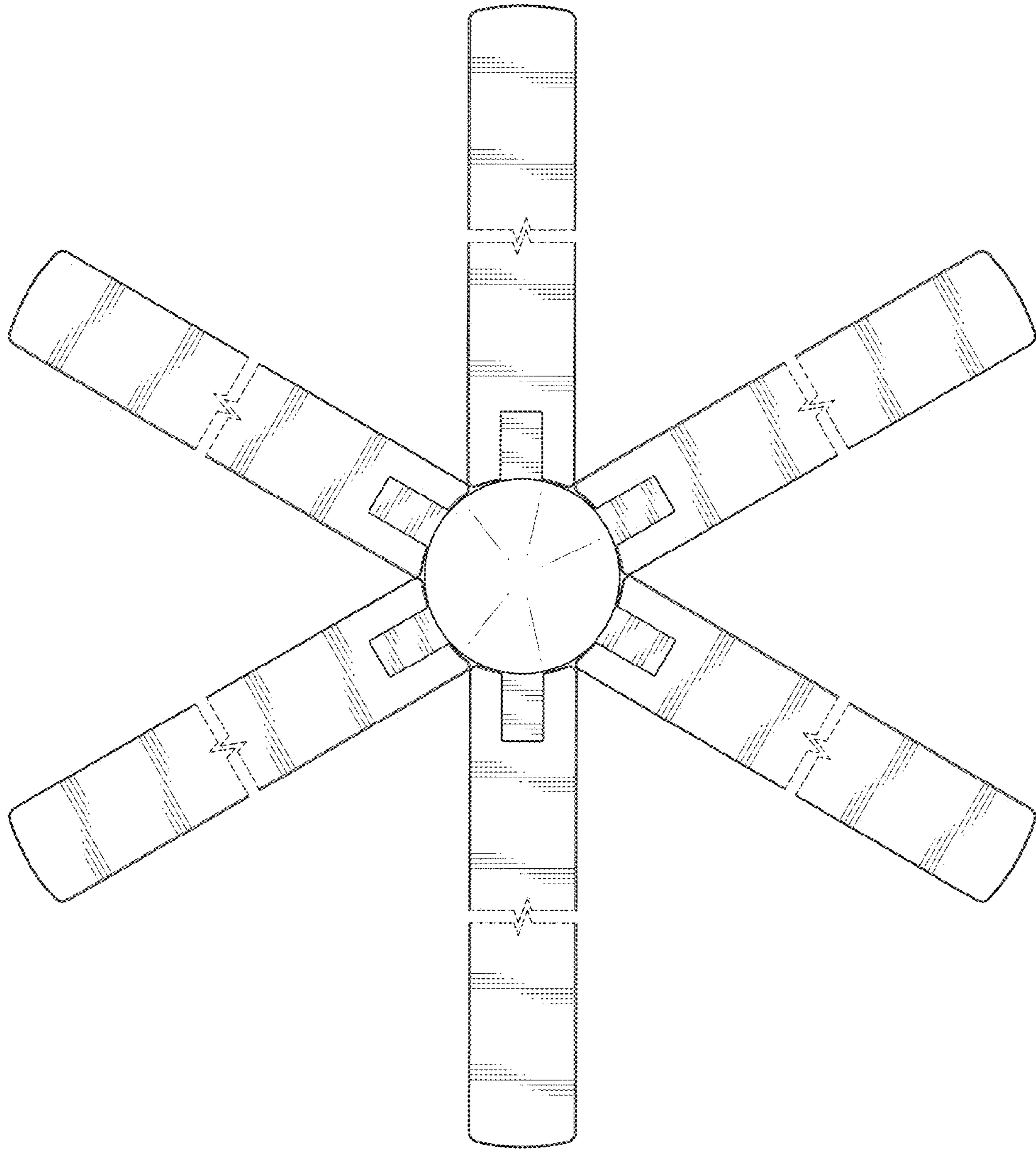


FIG. 4

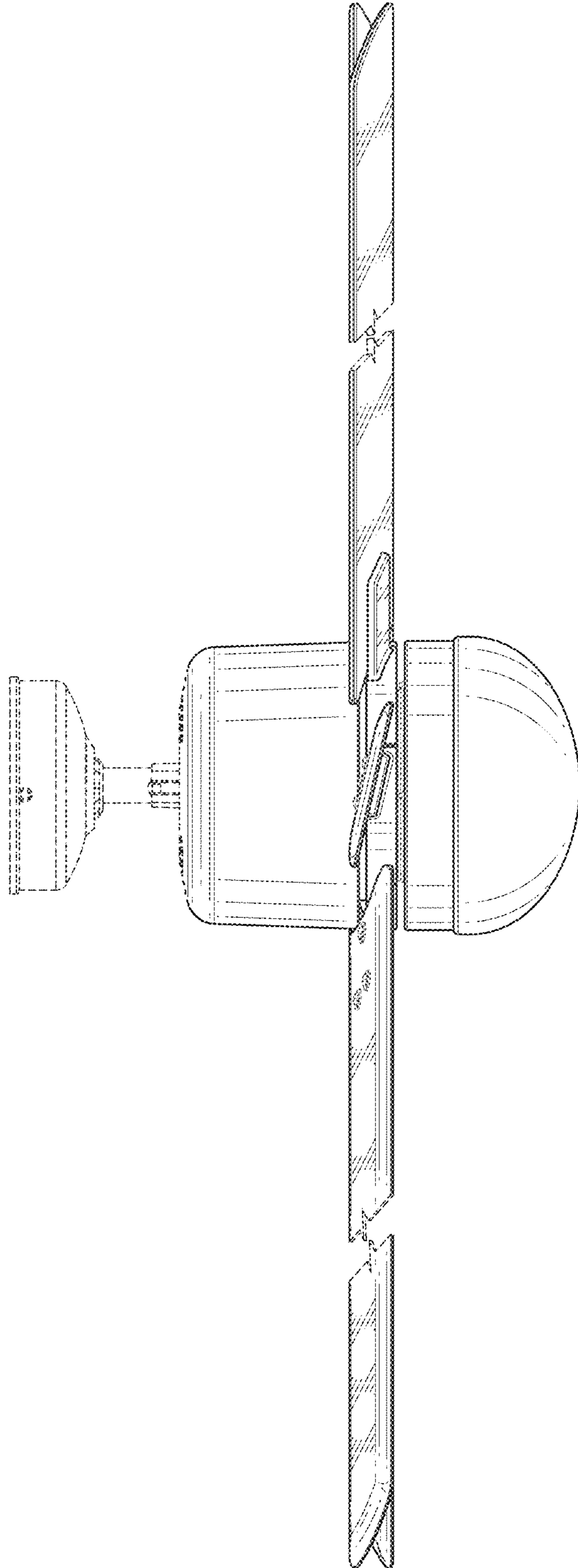


FIG. 5

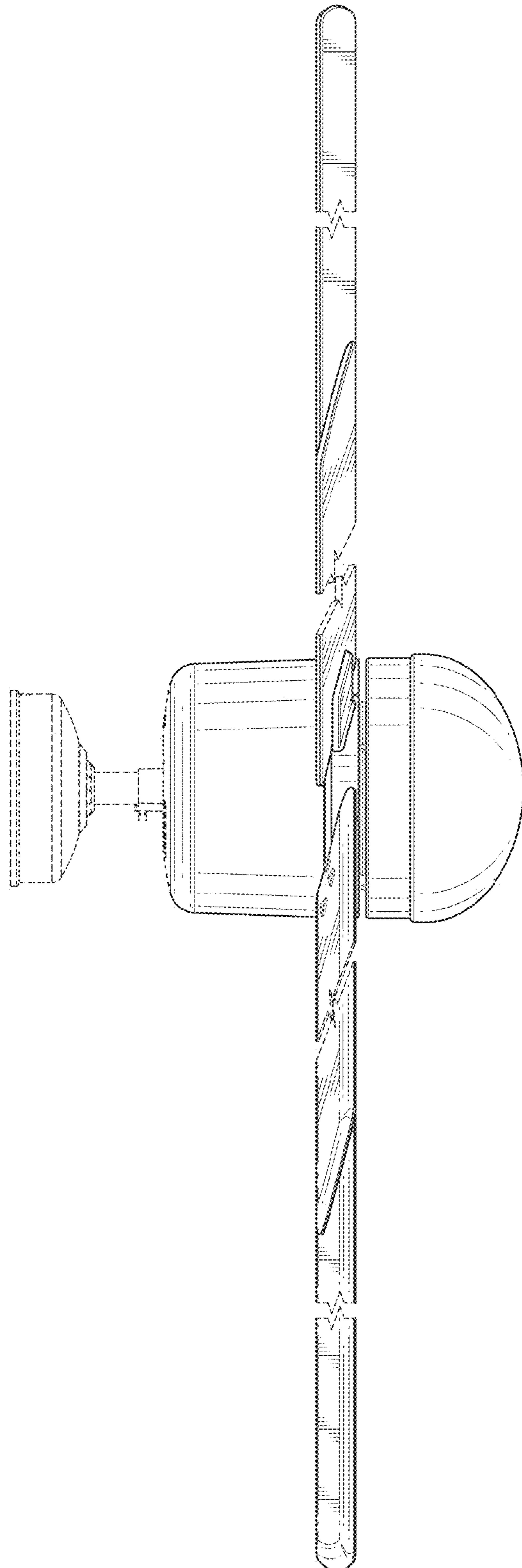


FIG. 6