

US00D952119S

(12) **United States Design Patent** (10) **Patent No.:** **US D952,119 S**  
**McRoberts** (45) **Date of Patent:** **\*\* May 17, 2022**

(54) **CEILING FAN**  
(71) Applicant: **Hunter Fan Company**, Memphis, TN (US)  
(72) Inventor: **Claire Bernice McRoberts**, La Jolla, CA (US)  
(73) Assignee: **Hunter Fan Company**, Memphis, TN (US)  
(\*\*) Term: **15 Years**  
(21) Appl. No.: **29/729,284**  
(22) Filed: **Mar. 25, 2020**  
(51) **LOC (13) Cl.** ..... **23-04**  
(52) **U.S. Cl.**  
USPC ..... **D23/377**  
(58) **Field of Classification Search**  
USPC ..... D23/370, 377, 379, 385, 411-414;  
D26/59  
CPC ..... F04D 25/088; F04D 29/38; F04D 29/384;  
F04D 29/386; F21V 33/0096  
See application file for complete search history.

D535,739 S 1/2007 Pan  
D551,337 S 9/2007 Pickett  
D567,421 S 4/2008 Pan  
D627,048 S 11/2010 Shurtleff  
D627,054 S 11/2010 Pan  
D671,631 S 11/2012 Searle  
D801,516 S \* 10/2017 Wang ..... D23/413  
(Continued)

**OTHER PUBLICATIONS**

<https://www.homedepot.com/p/Hampton-Bay-Rockport-52-in-LED-Matte-Black-Ceiling-Fan-91854/305251765>, Hampton Bay Rockport 52 in. LED Matte Black Ceiling Fan, Model No. 91854, accessed Jan. 23, 2020.

(Continued)

*Primary Examiner* — Sharon S Oum  
(74) *Attorney, Agent, or Firm* — McGarry Bair PC

(57) **CLAIM**

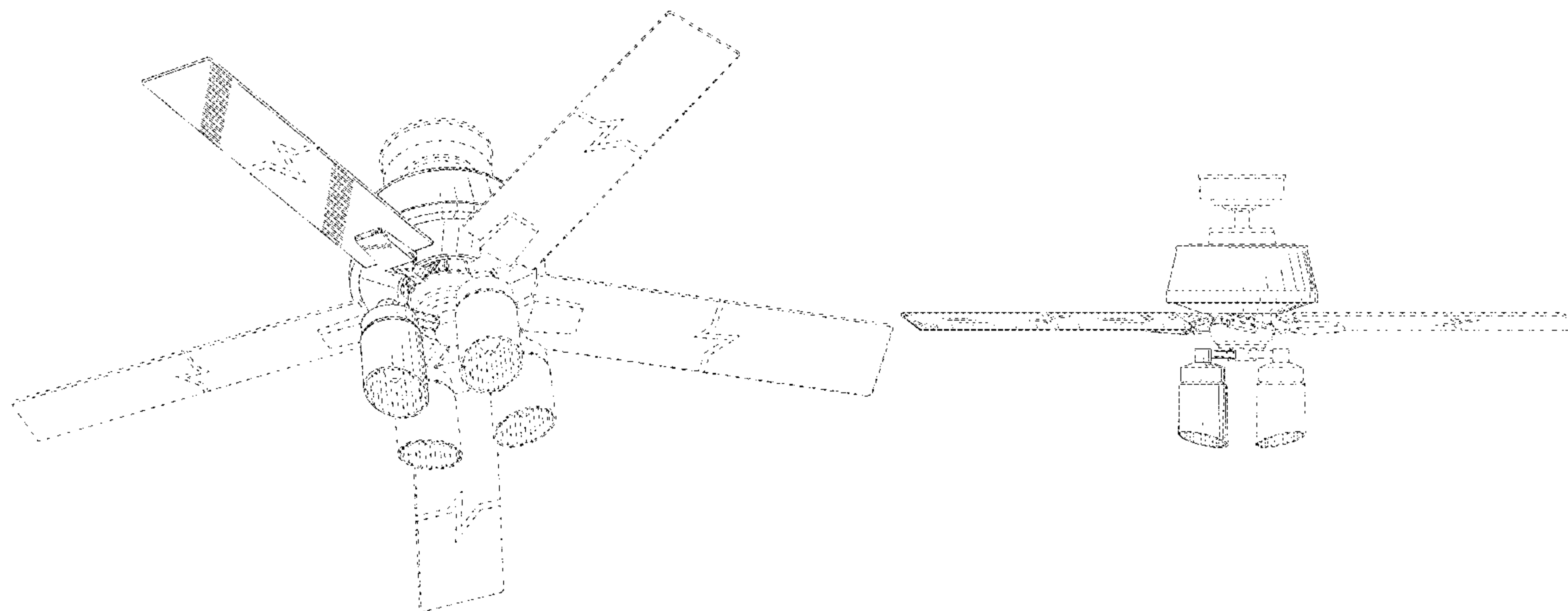
The ornamental design for a ceiling fan, as shown and described.

**DESCRIPTION**

FIG. 1 is a top perspective view of a ceiling fan, showing my new design;  
FIG. 2 is a bottom perspective view thereof;  
FIG. 3 is a top view thereof;  
FIG. 4 is a bottom view thereof;  
FIG. 5 is a front view thereof;  
FIG. 6 is a right side view thereof;  
FIG. 7 is a left side view thereof; and,  
FIG. 8 is a rear view thereof.  
The broken lines illustrate portions of the ceiling fan that form no part of the claimed design.  
Jagged break lines represent broken away symbols and form no part of the claimed design. The appearance of any portion of the ceiling fan blades between jagged break lines forms no part of the claimed design.

**1 Claim, 8 Drawing Sheets**

(56) **References Cited**  
U.S. PATENT DOCUMENTS  
D315,946 S 4/1991 Hollbrook  
D328,951 S 8/1992 Scofield et al.  
5,404,284 A \* 4/1995 Davis, Jr. .... F04D 25/088  
362/147  
D364,224 S 11/1995 Wang  
D424,679 S 5/2000 LaSpina  
D435,901 S \* 1/2001 Tsuji ..... D23/411  
D483,463 S \* 12/2003 Tai ..... D23/377  
D485,349 S 1/2004 Burns  
D489,810 S 5/2004 Burns  
D510,427 S 10/2005 Hidalgo  
D526,432 S 8/2006 Guthrie  
D533,937 S \* 12/2006 Pan ..... D23/411  
D533,955 S 12/2006 Pan  
D535,421 S 1/2007 Pickett



(56)

References Cited

U.S. PATENT DOCUMENTS

D804,011	S	11/2017	Holmes et al.	
D804,637	S	12/2017	Holmes	
D810,912	S	2/2018	McRoberts	
D811,574	S	2/2018	McRoberts	
D827,806	S	9/2018	Biancuzzo	
D834,173	S	11/2018	Holmes	
D872,851	S *	1/2020	Holmes	D23/411
D873,988	S *	1/2020	Biancuzzo	D23/377
D877,308	S *	3/2020	Pickett	D23/377
D877,381	S *	3/2020	McRoberts	D26/59
D894,457	S *	8/2020	McRoberts	D26/59
D902,376	S *	11/2020	Holmes Bradley	D23/411
D903,916	S *	12/2020	McRoberts	D26/59
10,995,769	B2 *	5/2021	Norwood	F04D 29/384
2004/0022636	A1 *	2/2004	Bilskie	F04D 29/601
				416/244 R
2014/0268803	A1 *	9/2014	Keng	F21V 17/164
				362/294

OTHER PUBLICATIONS

<https://www.homedepot.com/p/Hampton-Bay-Ellijay-52-in-Indoor-Outdoor-Natural-Iron-Ceiling-Fan-with-Light-Kit-YG205-NI/202549824>, Hampton Bay Ellijay 52-in Indoor Outdoor Natural Iron Ceiling Fan with Light Kit, Model No. YG205-NI, accessed Jan. 23, 2020.

<https://www.luminancebrands.com/fans/cf5300bs.html>, Emerson CF5300BS LED Ceiling Fan in Brushed Steel, accessed Jan. 23, 2020.

<https://www.hunterfan.com/ceiling-fans/casablanca-areto-52-inch-fam423>, Casablanca Areto 52 Inch Ceiling Fan, Item No. 54124, accessed Jan. 23, 2020.

<https://www.fanimation.com/products/index.php/fans/palma.html>, Fanimation Palma 12 inch Matte White with Brushed Nickel Accent with Matte White Blades Ceiling Fan, Model No. FP6258B, accessed Jan. 23, 2020.

<https://www.homedepot.com/p/Hampton-Bay-Stoneridge-52-in-LED-Indoor-Outdoor-Bronze-Hugger-Ceiling-Fan-with-Light-Kit-51974/308693492>, Hampton Bay Stoneridge 52 In. LED Indoor/Outdoor Hugger Ceiling Fan with Light Kit in Bronze, Model No. 51974, accessed Jan. 23, 2020.

<https://www.menards.com/main/lighting-ceiling-fans/ceiling-fans/indoor-ceiling-fans/lighting-ceiling-fans/ceiling-fans/indoor-ceiling-fans/turn-of-the-century-reg-lichfield-matte-black-vintage-indoor-ceiling-fan/20509/p-1444433460068-c-7488.htm?tid=-4448700797440071686&ipos=32>; Turn of the Century Litchfield 52" Matte Black Vintage Indoor Ceiling Fan, Model No. 20509, accessed Jan. 23, 2020.

<https://www.hunterfan.com/ceiling-fans/devon-park-with-led-light-52-inch-famc45>, Hunter Fan Company Devon Park 52 inch Ceiling Fan with LED Light in Brushed Nickel, Item No. 50604, accessed Jan. 23, 2020.

<https://www.hunterfan.com/ceiling-fans/crestfield-low-profile-with-3-led-lights-52-inch-fam839>, Hunter Fan Company Crestfield Low Profile 52 inch Ceiling Fan with 3 LED Lights, Item No. 54209, accessed Jan. 23, 2020.

<https://www.hunterfan.com/ceiling-fans/bennett-with-3-lights-52-inch-fam788>, Hunter Fan Company Bennett 52 Inch Ceiling Fan with 3 Lights, Item No. 54180, accessed Jan. 23, 2020.

<https://www.hunterfan.com/ceiling-fans/hartland-with-light-44-inch-fam087>, Hunter Fan Company Hartland 44 Inch Ceiling Fan with Light, Item No. 50329, accessed Jan. 23, 2020.

<https://www.homedepot.com/p/Hampton-Bay-Malone-54-in-LED-Brushed-Nickel-Ceiling-Fan-with-Light-Kit-59254/308038108>, Hampton BayMalone 54 in. Ceiling fan in Brushed Nickel with Light Kit, Model No. 59254, accessed Jan. 23, 2020.

\* cited by examiner

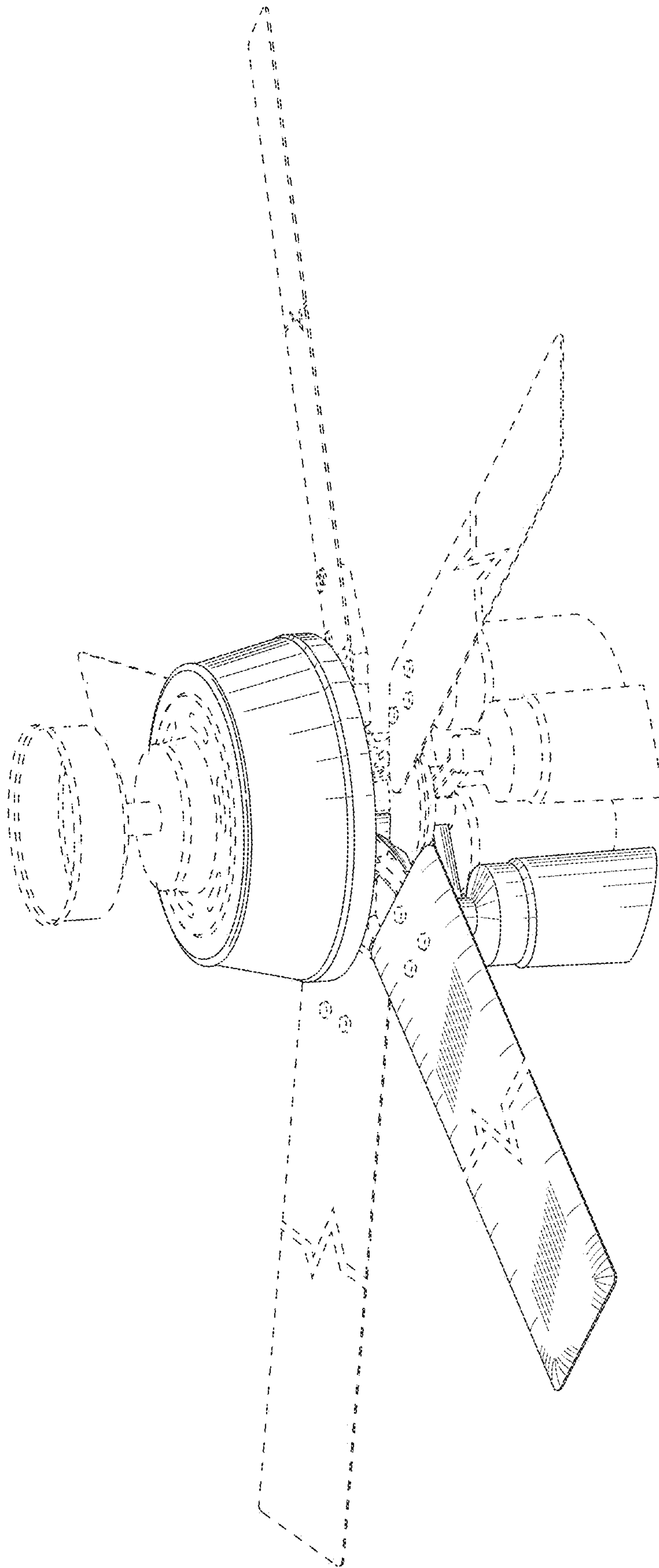


FIG. 1



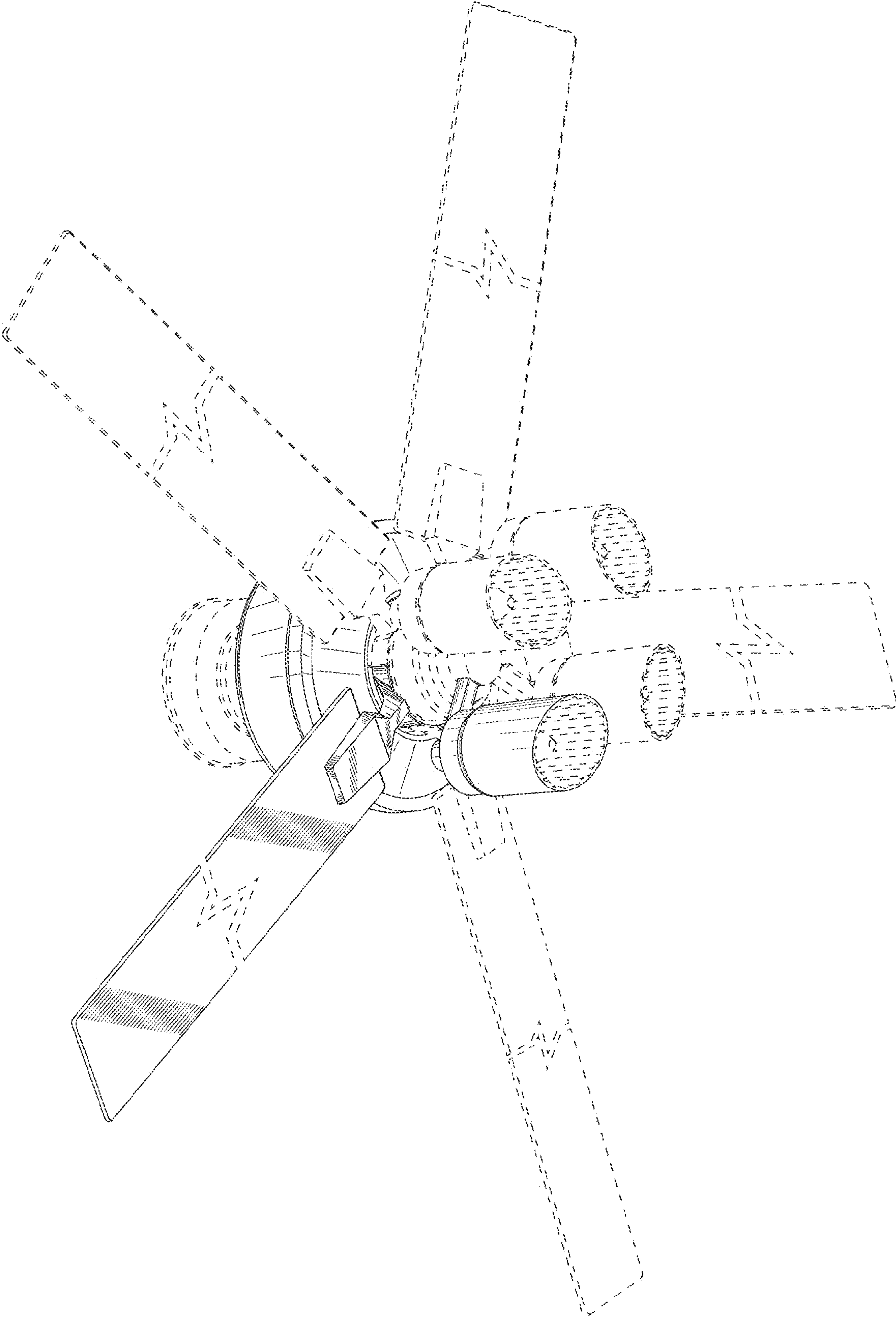


FIG. 2

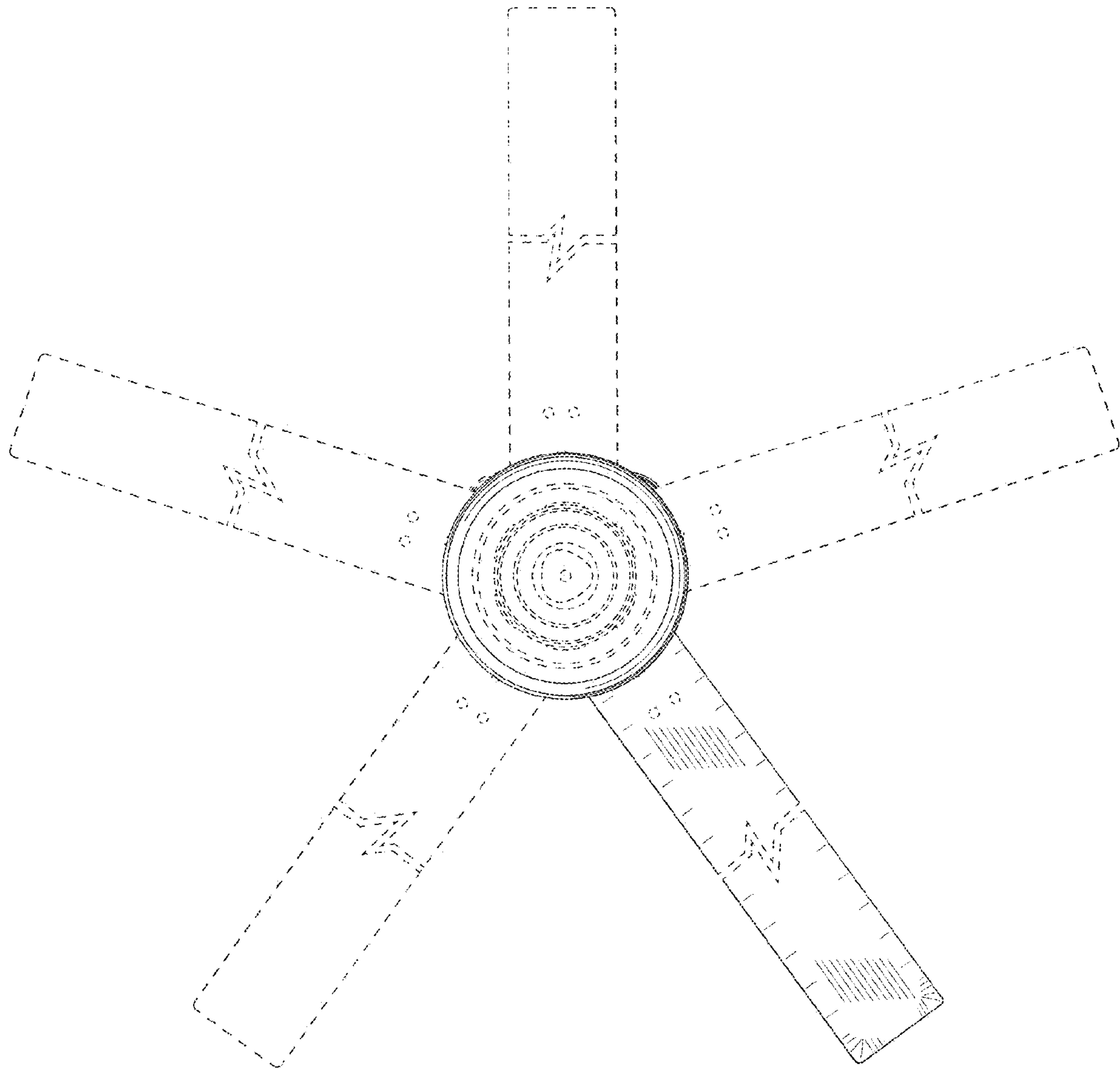


FIG. 3

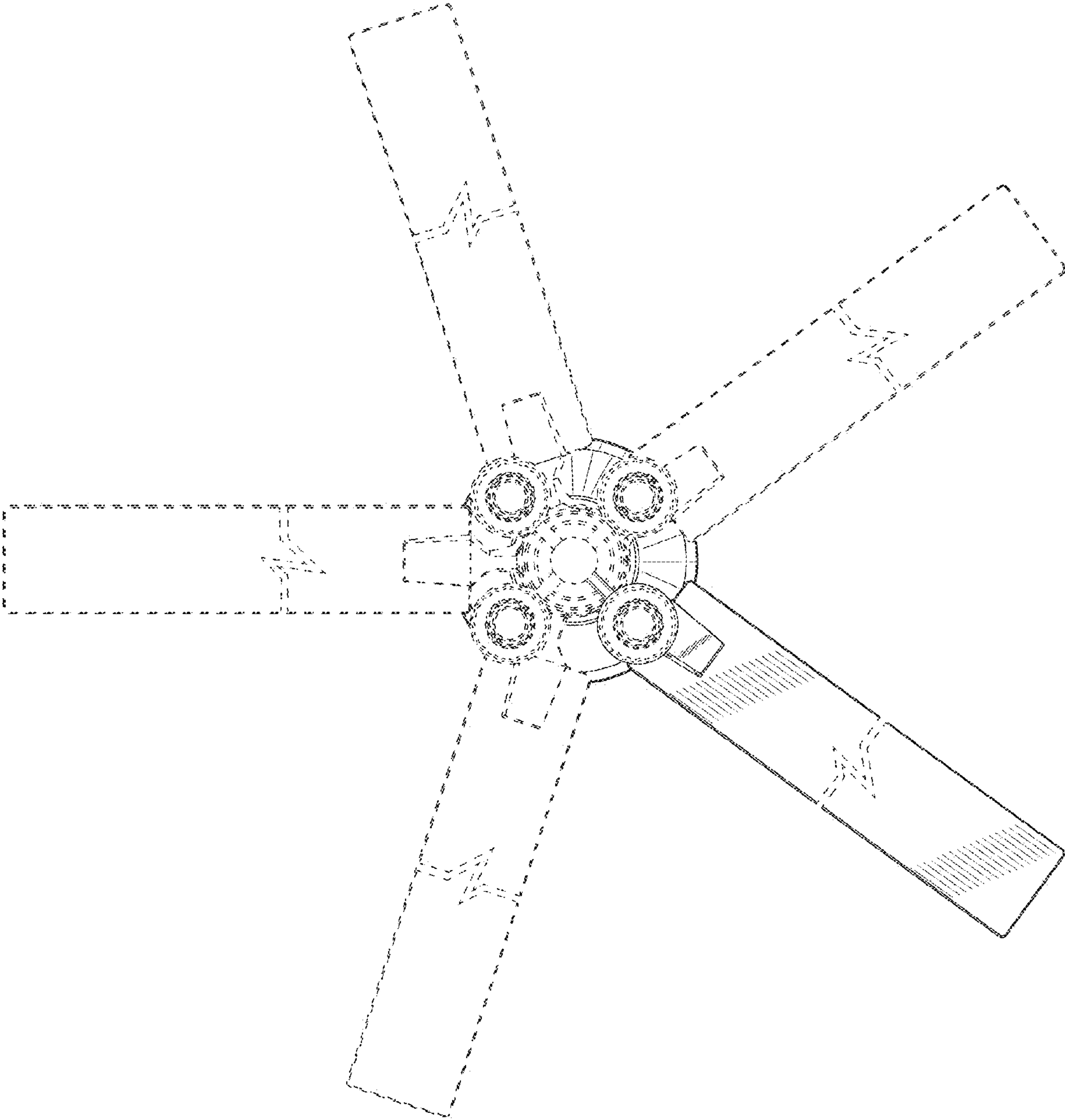


FIG. 4

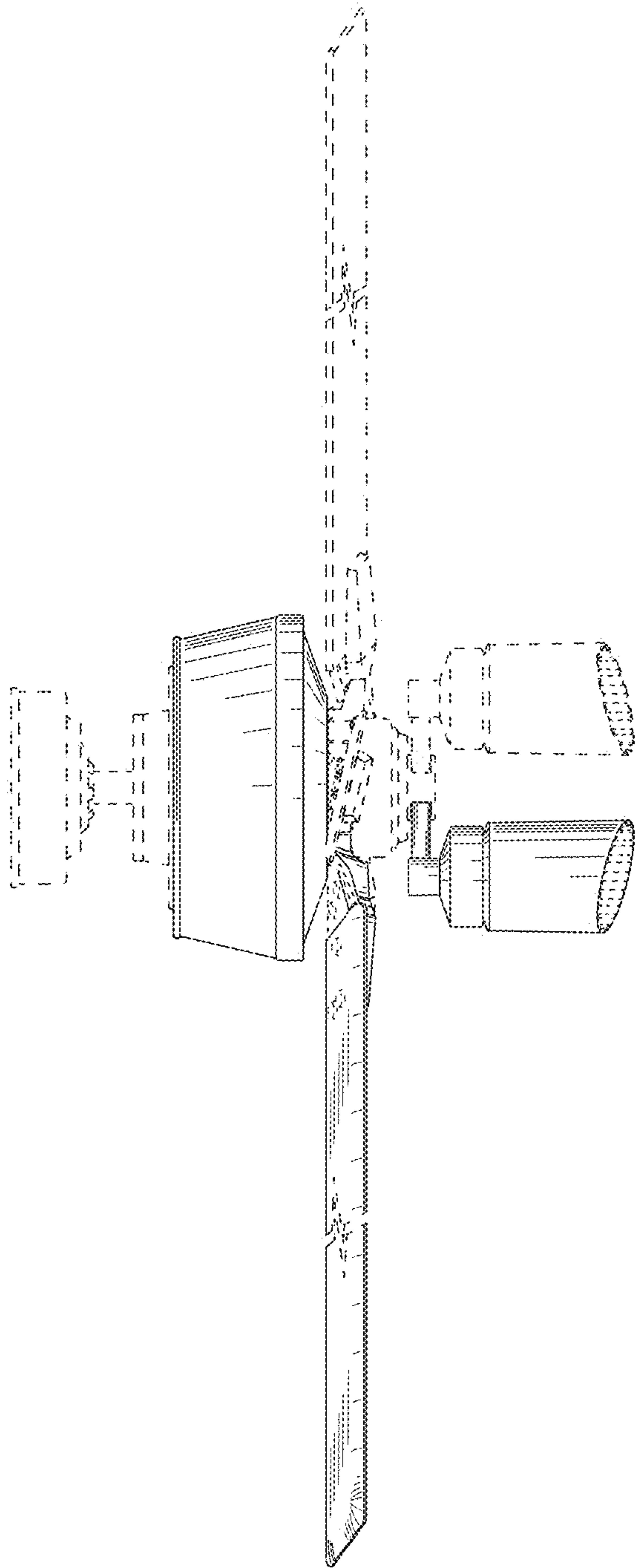


FIG. 5

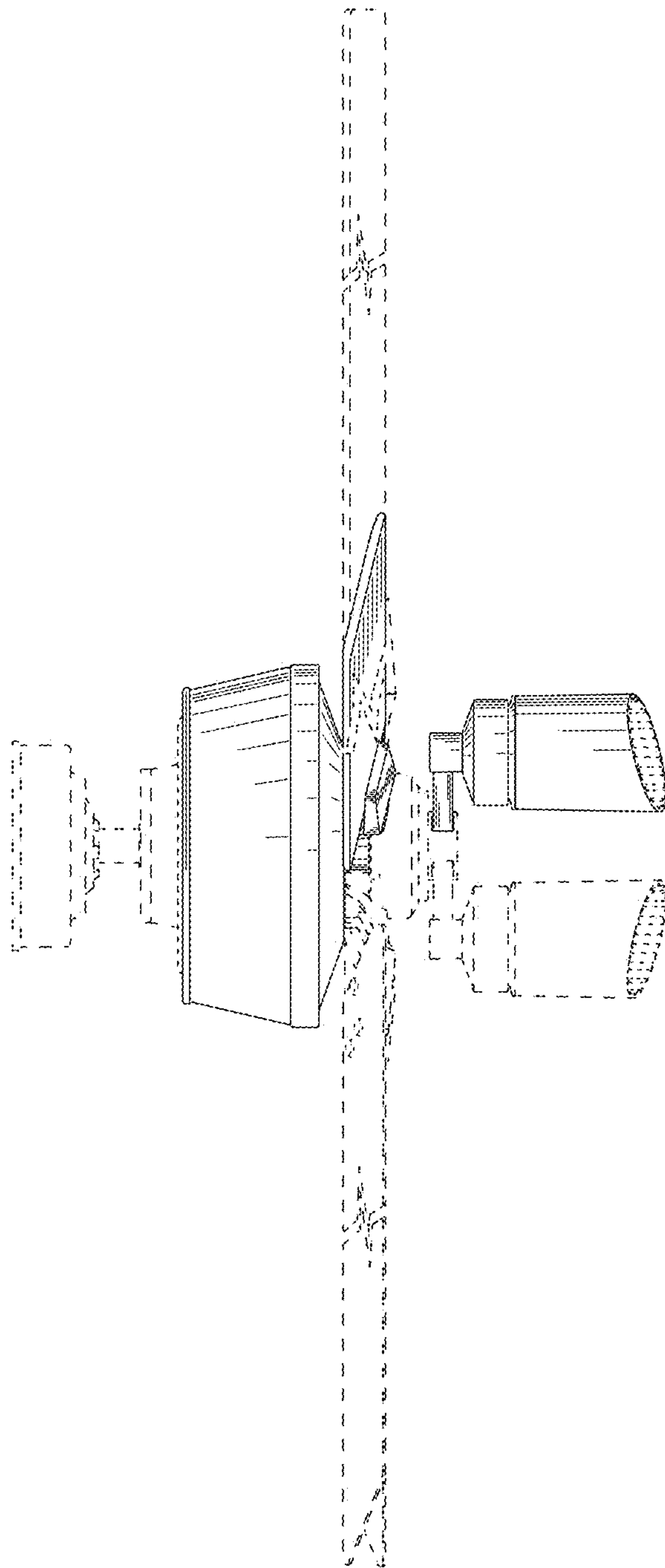


FIG. 6



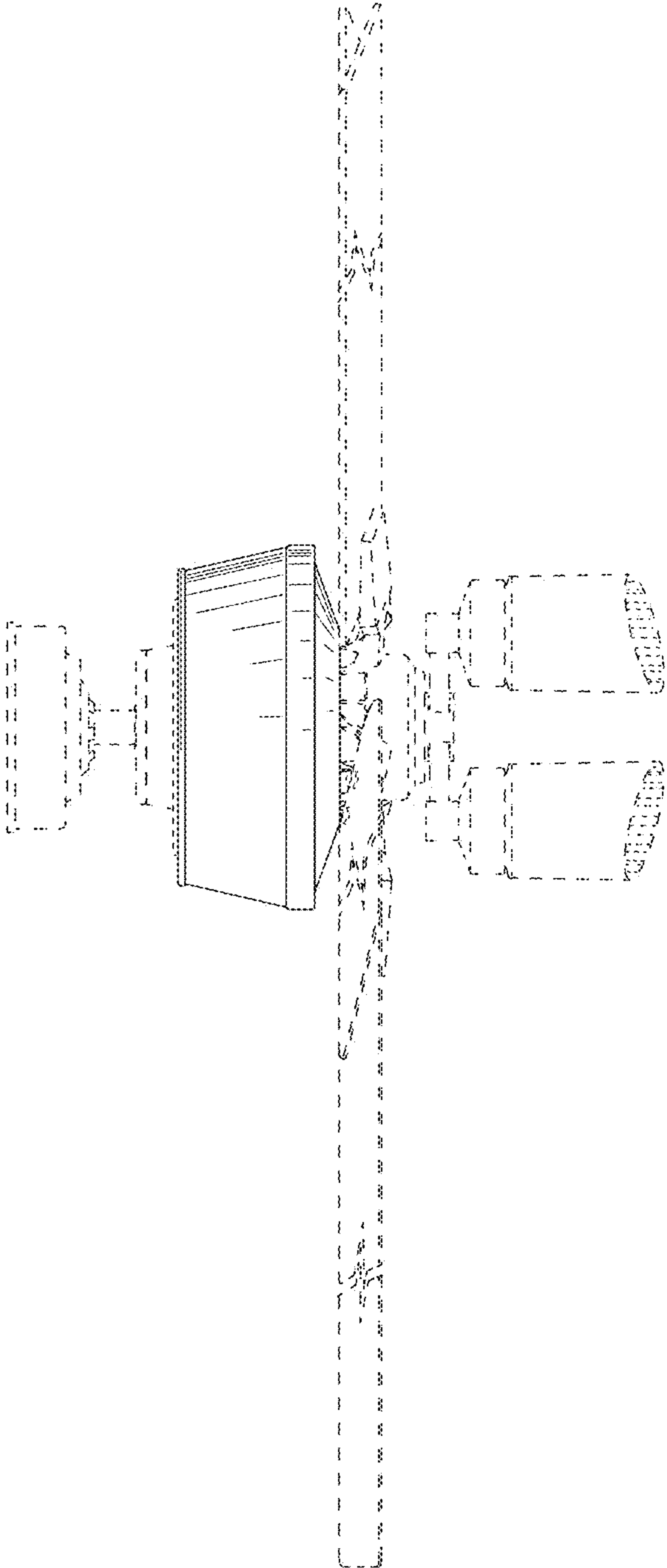


FIG. 7

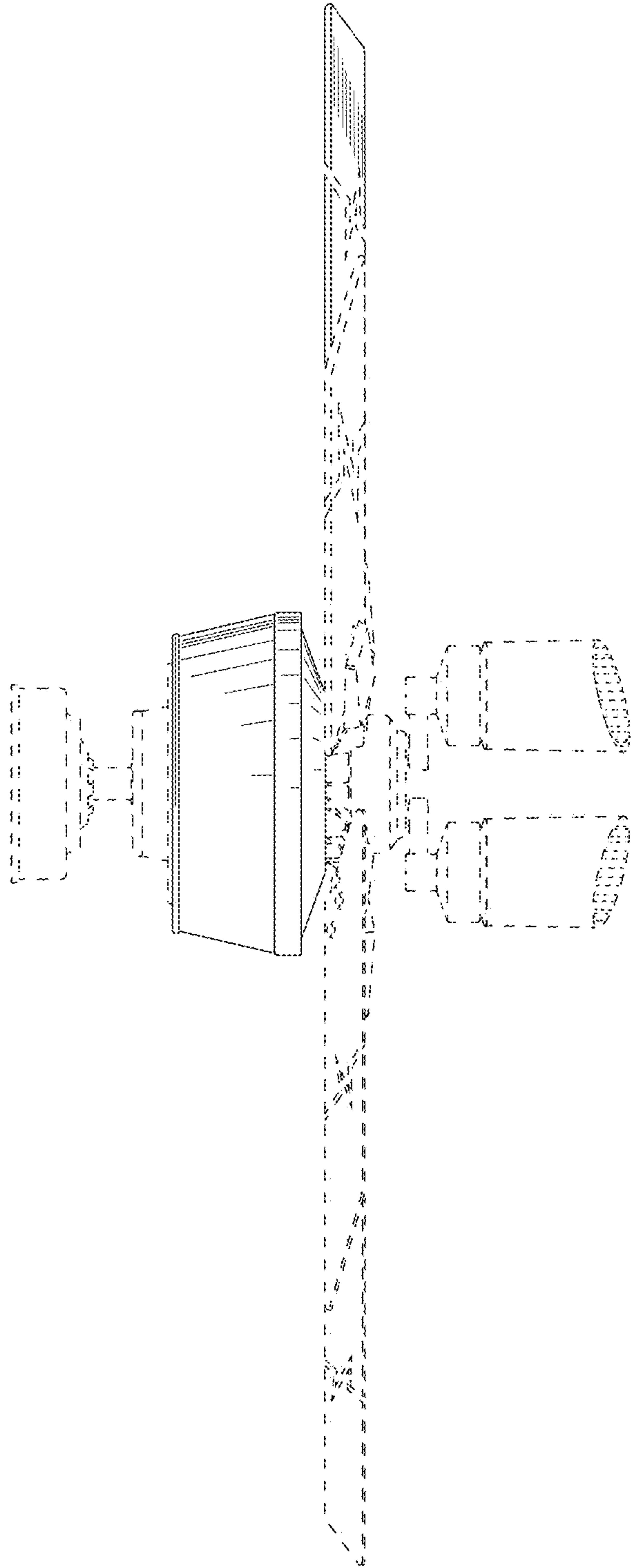


FIG. 8