



US00D952116S

(12) **United States Design Patent**
Cai

(10) **Patent No.:** **US D952,116 S**

(45) **Date of Patent:** **** May 17, 2022**

- (54) **FAN**
- (71) Applicant: **Zhuolun Cai**, Guangdong (CN)
- (72) Inventor: **Zhuolun Cai**, Guangdong (CN)
- (73) Assignee: **Guangzhou Aozhong Fan Equipment Co., Ltd.**, Guangdong (CN)

(**) Term: **15 Years**

(21) Appl. No.: **29/721,349**

(22) Filed: **Jan. 20, 2020**

(51) **LOC (13) Cl.** **23-04**

(52) **U.S. Cl.**
USPC **D23/370; D23/382**

(58) **Field of Classification Search**
 USPC D23/328, 332, 333, 370, 378–383, 385,
 D23/335–337, 341, 351, 352, 354,
 D23/411–414
 CPC .. F04D 25/084; F04D 25/086; F04D 25/0673;
 F04D 29/646
 See application file for complete search history.

(56) **References Cited**

U.S. PATENT DOCUMENTS

- D194,504 S * 2/1963 Landell et al. D23/364
- D255,489 S * 6/1980 Kanarek D23/383
- D281,272 S * 11/1985 Lynch, Jr. D23/364
- D291,243 S * 8/1987 Beavers D23/382

- D314,619 S * 2/1991 Beavers D23/383
- D443,053 S * 5/2001 Schaefer D23/328
- D672,863 S * 12/2012 Romero Carreras D23/370
- D681,184 S * 4/2013 Romero Carreras D23/370
- D703,302 S * 4/2014 Ruck D23/370
- D844,129 S * 3/2019 Lingenfelter D23/383
- D885,550 S * 5/2020 Avedon D23/370

* cited by examiner

Primary Examiner — Sharon S Oum

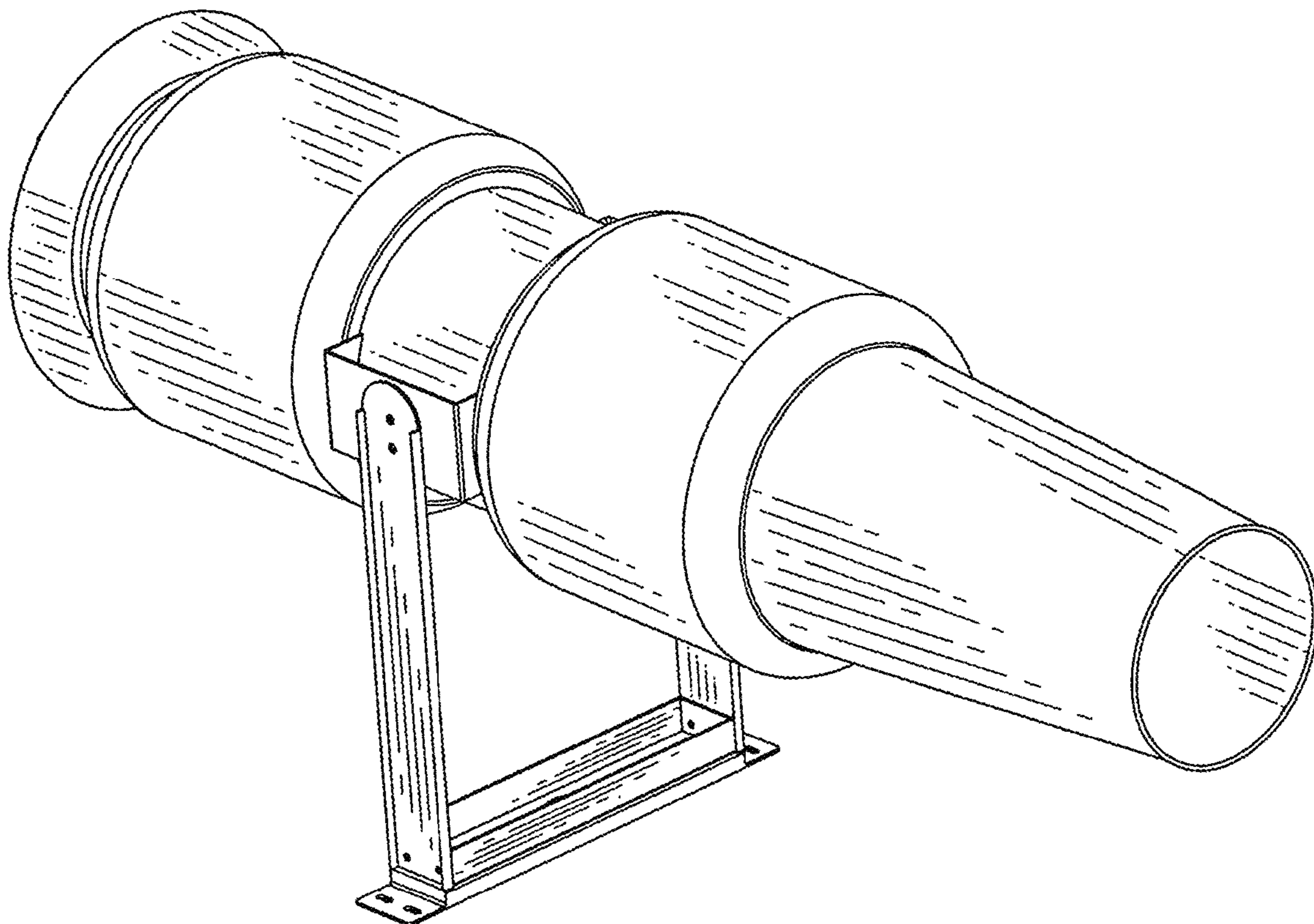
(57) **CLAIM**

The ornamental design for a fan, as shown and described.

DESCRIPTION

FIG. 1 is a rear and right side perspective view of a fan showing my new design;
 FIG. 2 is a front and left side perspective view thereof;
 FIG. 3 is a front elevation view thereof, shown enlarged in scale;
 FIG. 4 is a rear elevation view thereof, shown enlarged in scale;
 FIG. 5 is a left side elevation view thereof;
 FIG. 6 is a right side elevation view thereof;
 FIG. 7 is a top plan view thereof; and,
 FIG. 8 is a bottom plan view thereof.
 The broken lines depict portions of the fan that form no part of the claimed design.

1 Claim, 8 Drawing Sheets



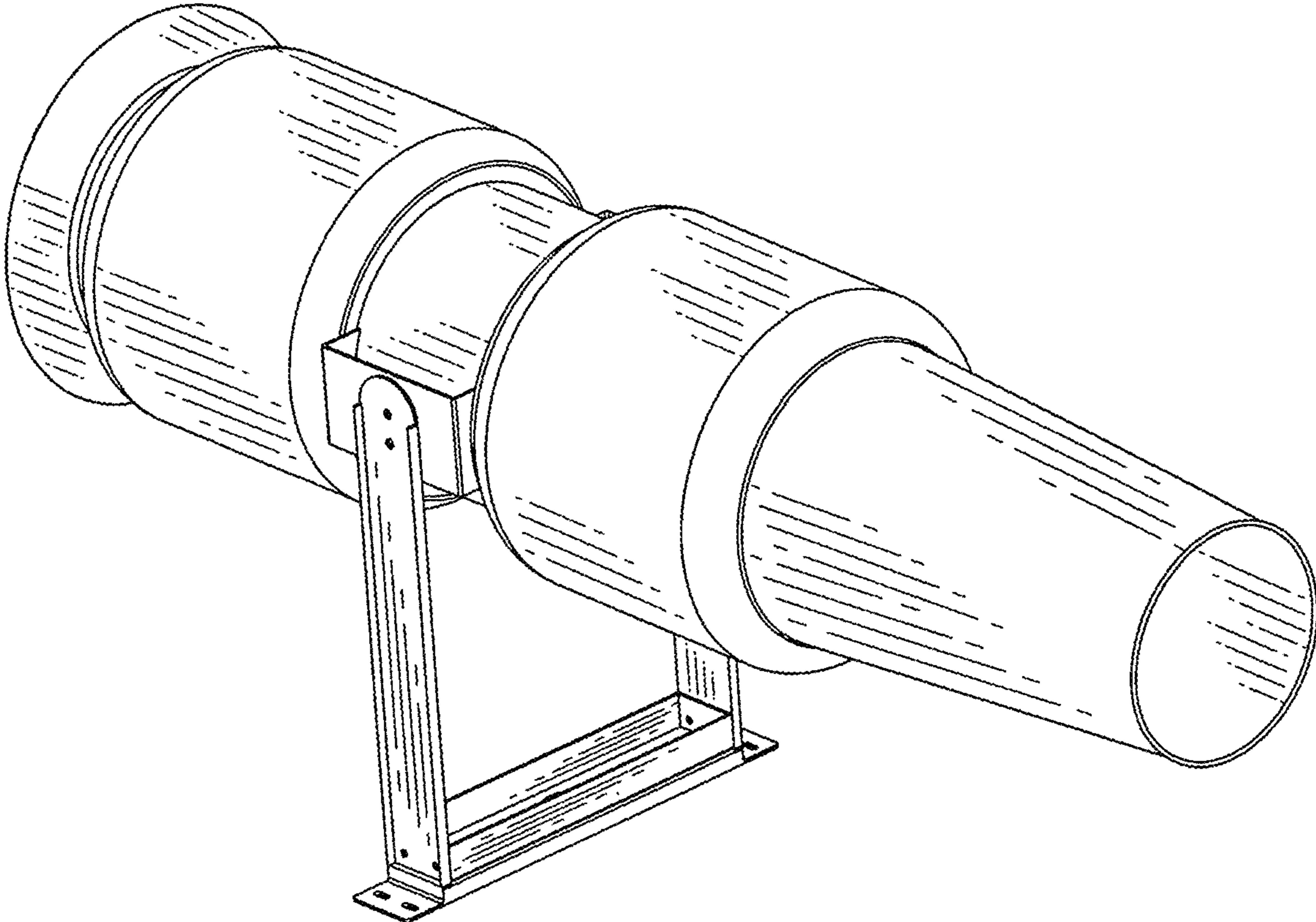


FIG. 1

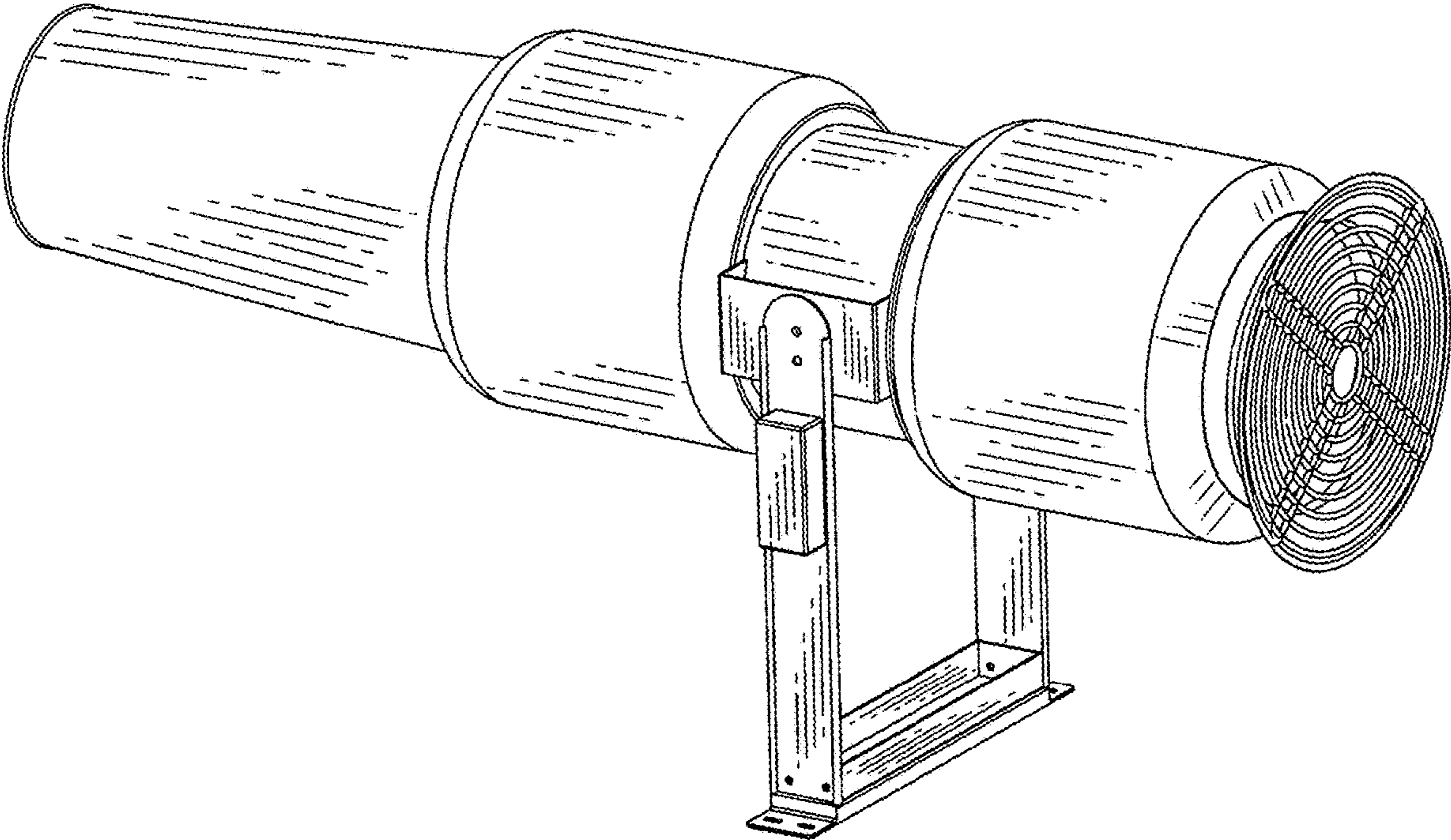


FIG. 2

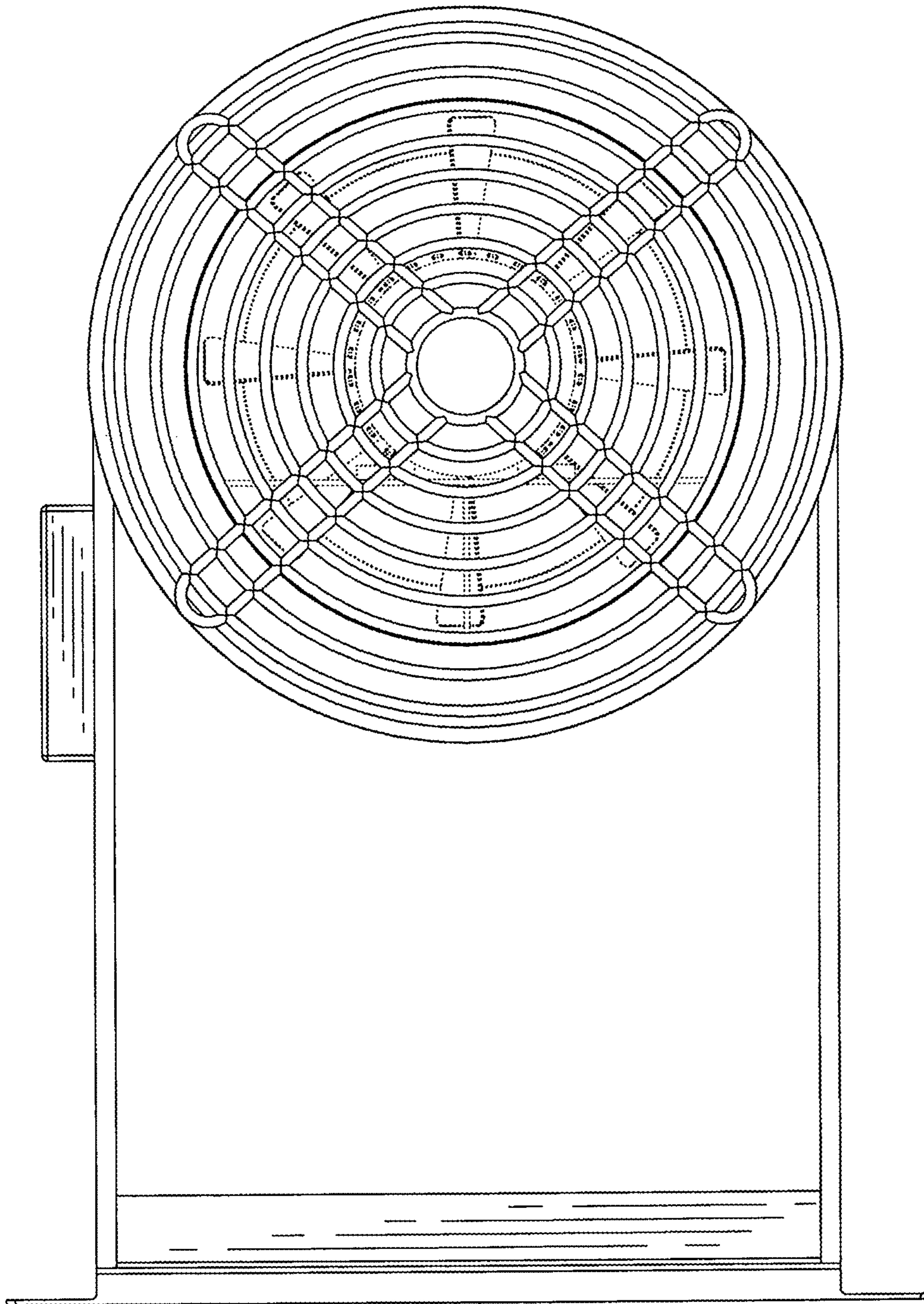


FIG. 3

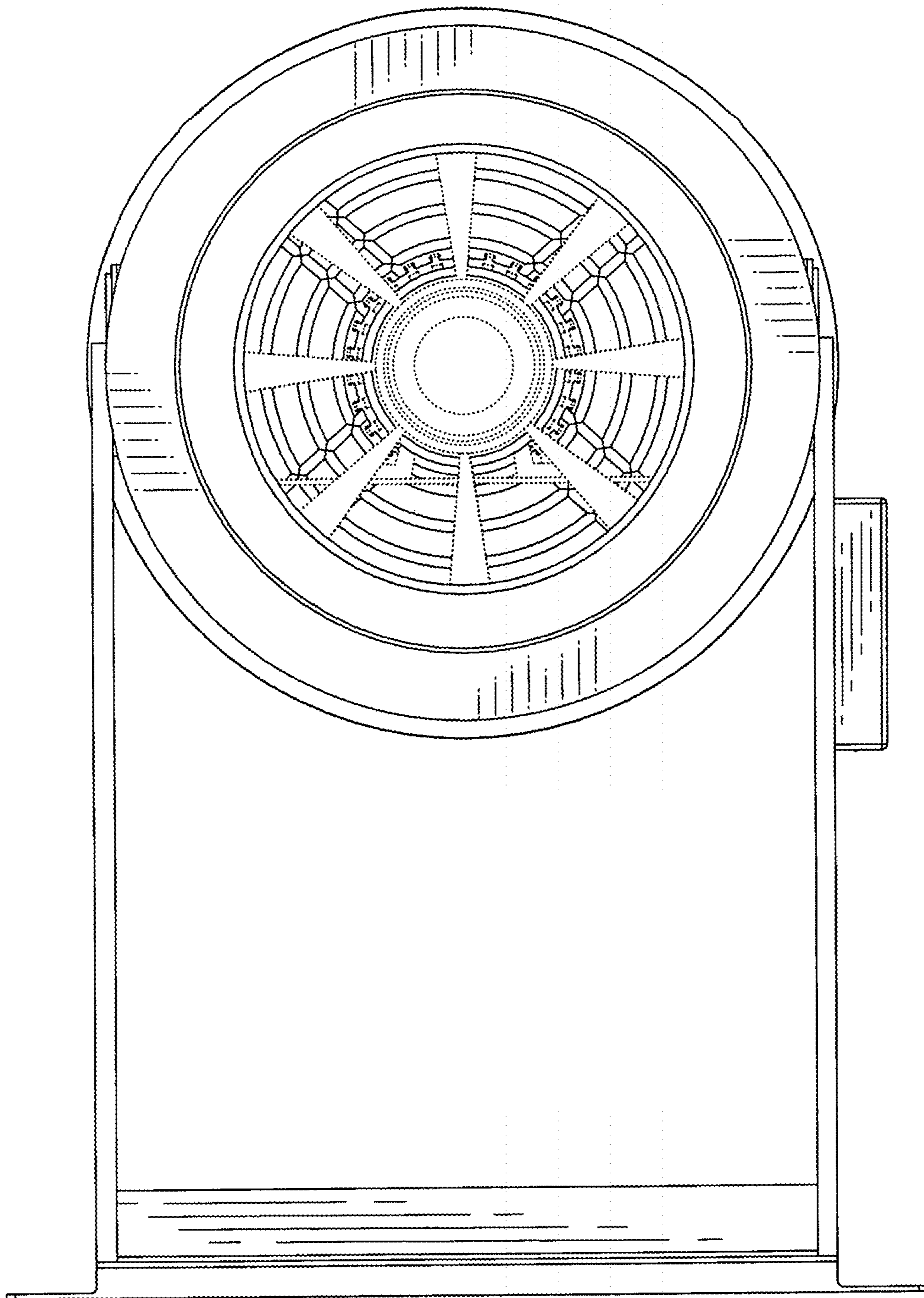


FIG. 4

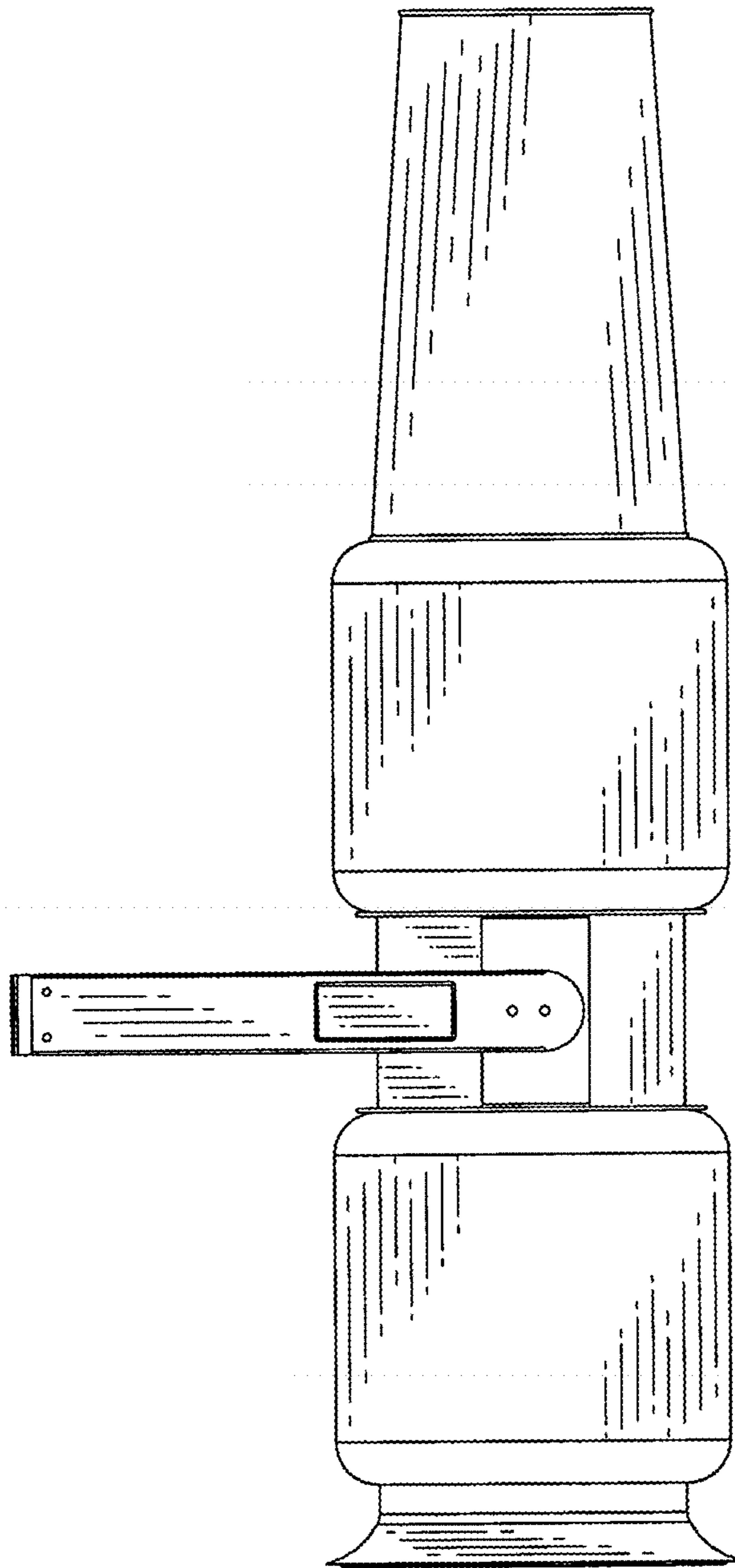


FIG. 5

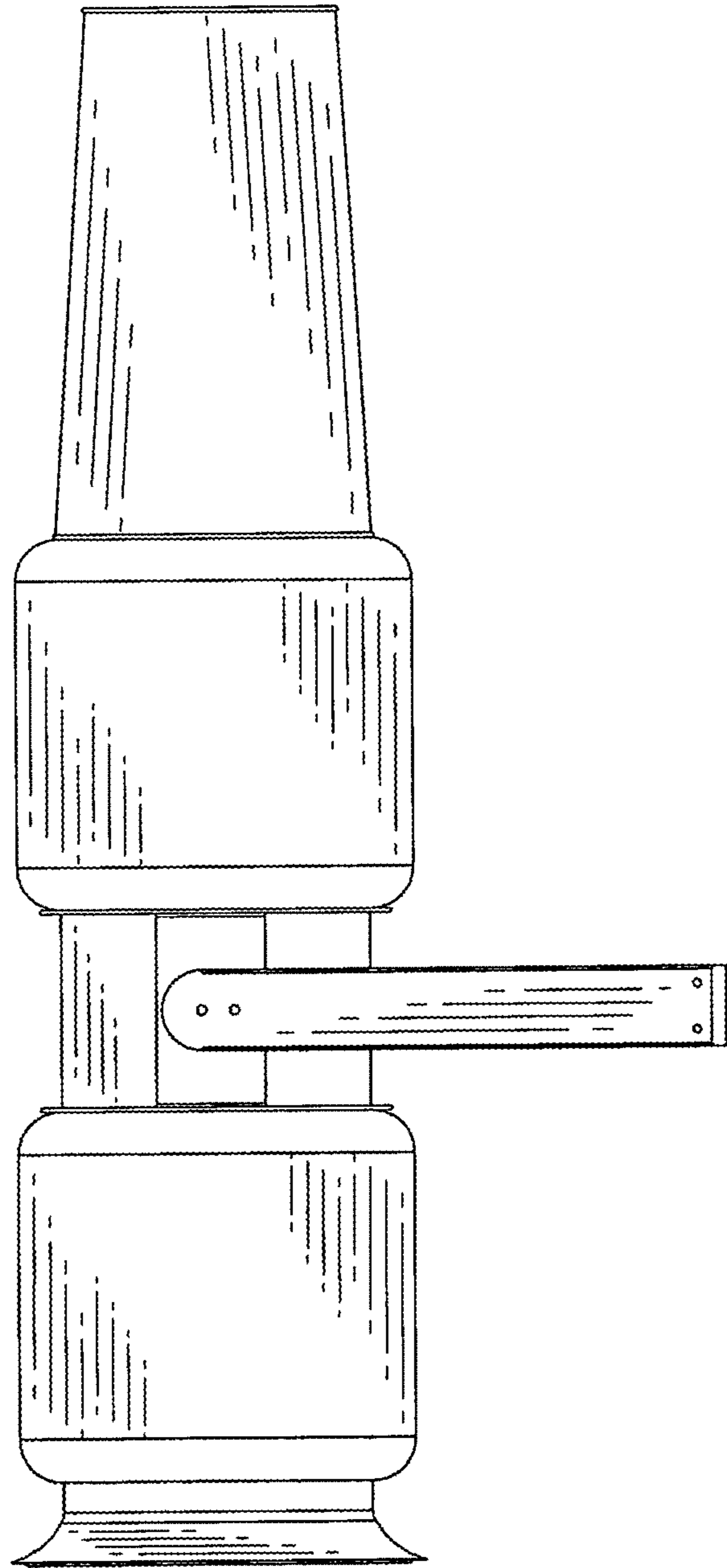


FIG. 6

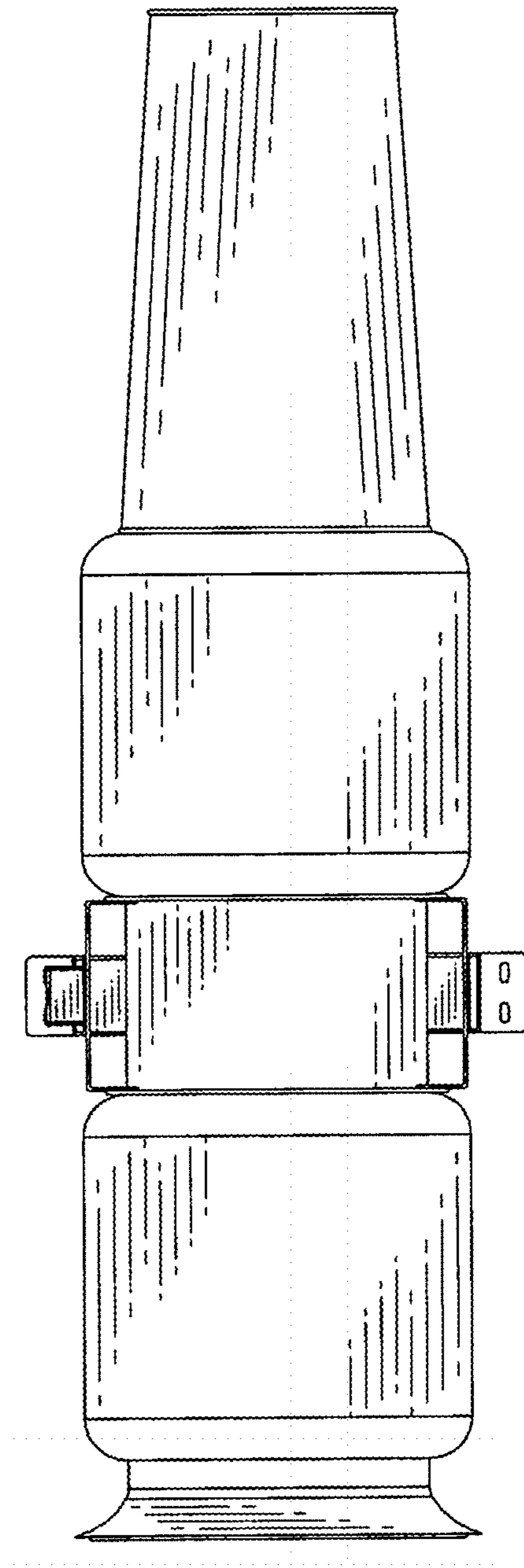


FIG. 7

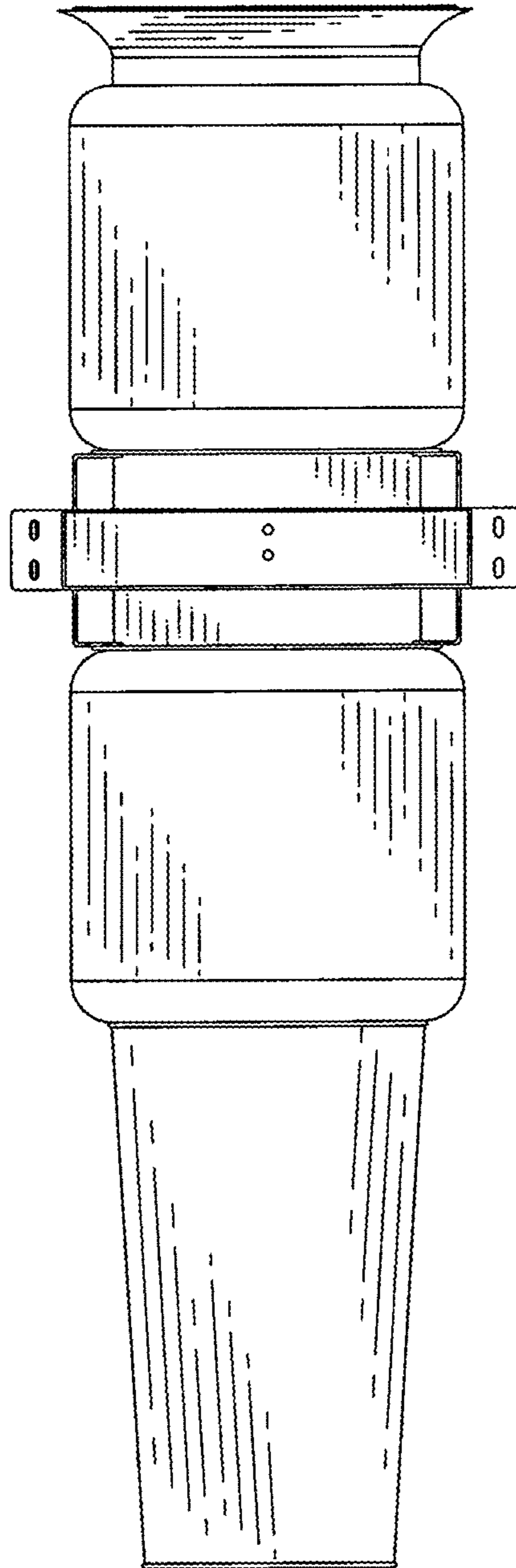


FIG. 8