



US00D952115S

(12) **United States Design Patent** (10) **Patent No.:** **US D952,115 S**
Kim et al. (45) **Date of Patent:** **** May 17, 2022**

(54) **AIR PURIFIER**

FOREIGN PATENT DOCUMENTS

(71) Applicant: **SAMSUNG ELECTRONICS CO., LTD.**, Suwon-si (KR)

CN	303379074	*	9/2015
CN	303827684	S	8/2016
CN	304409180	S	12/2017
CN	304894727	*	11/2018
CN	306205472	*	12/2020
JP	D1410831	S	4/2011
JP	D1605046	S	5/2018
KR	300994830	S	2/2019

(72) Inventors: **Tae-Han Kim**, Suwon-si (KR);
Kang-Doo Kim, Suwon-si (KR);
Seung-Mok Lee, Suwon-si (KR);
Min-Kyung Choi, Suwon-si (KR)

(73) Assignee: **SAMSUNG ELECTRONICS CO., LTD.**, Gyeonggi-Do (KR)

OTHER PUBLICATIONS

HEPA H13 Air Purifier, first available Oct. 27, 2021[online], [site visited Jan. 11, 2022]. Available from internet, URL:<<https://www.amazon.com/Purifier-Allergies-Pollen-Cleaner-Filtration/dp/B09KH3TPM2>> (Year: 2021).*

(**) Term: **15 Years**

* cited by examiner

(21) Appl. No.: **29/737,896**

(22) Filed: **Jun. 12, 2020**

(30) **Foreign Application Priority Data**

Primary Examiner — Barbara Fox

Assistant Examiner — Jamaal Rasheed

Dec. 13, 2019 (KR) 30-2019-0060613

(74) *Attorney, Agent, or Firm* — Cantor Colburn LLP

(51) **LOC (13) Cl.** **23-04**

(52) **U.S. Cl.**
USPC **D23/364**

(57) **CLAIM**

(58) **Field of Classification Search**
USPC D23/356, 359, 364–365, 378, 499
CPC F24F 1/029; F24F 1/035; F24F 1/0287;
F24F 6/06; F24F 6/14; F24F 13/06; B05B
17/06

The ornamental design for an air purifier, as shown and described.

See application file for complete search history.

DESCRIPTION

(56) **References Cited**

FIG. 1 is a front perspective view of an air purifier, showing my new design;
FIG. 2 is a front view thereof;
FIG. 3 is a rear view thereof;
FIG. 4 is a left-side view thereof;
FIG. 5 is a right-side view thereof;
FIG. 6 is a top view thereof; and,
FIG. 7 is a bottom view thereof.
The even-dash broken lines illustrating portions of the air purifier form no part of the claimed design.

U.S. PATENT DOCUMENTS

D729,365	S	*	5/2015	Yuan	D23/359
D791,297	S	*	7/2017	Ljungstrom	D23/364
D840,012	S	*	2/2019	Zhou	D23/359
D844,766	S	*	4/2019	Miao	D23/364
D877,873	S	*	3/2020	Pan	D23/364
D895,093	S	*	9/2020	Nakamura	D23/364
D921,864	S	*	6/2021	Luo	D23/356
D936,200	S	*	11/2021	Yang	D23/364
2018/0299142	A1	*	10/2018	Myeong	F24F 1/0358

1 Claim, 7 Drawing Sheets

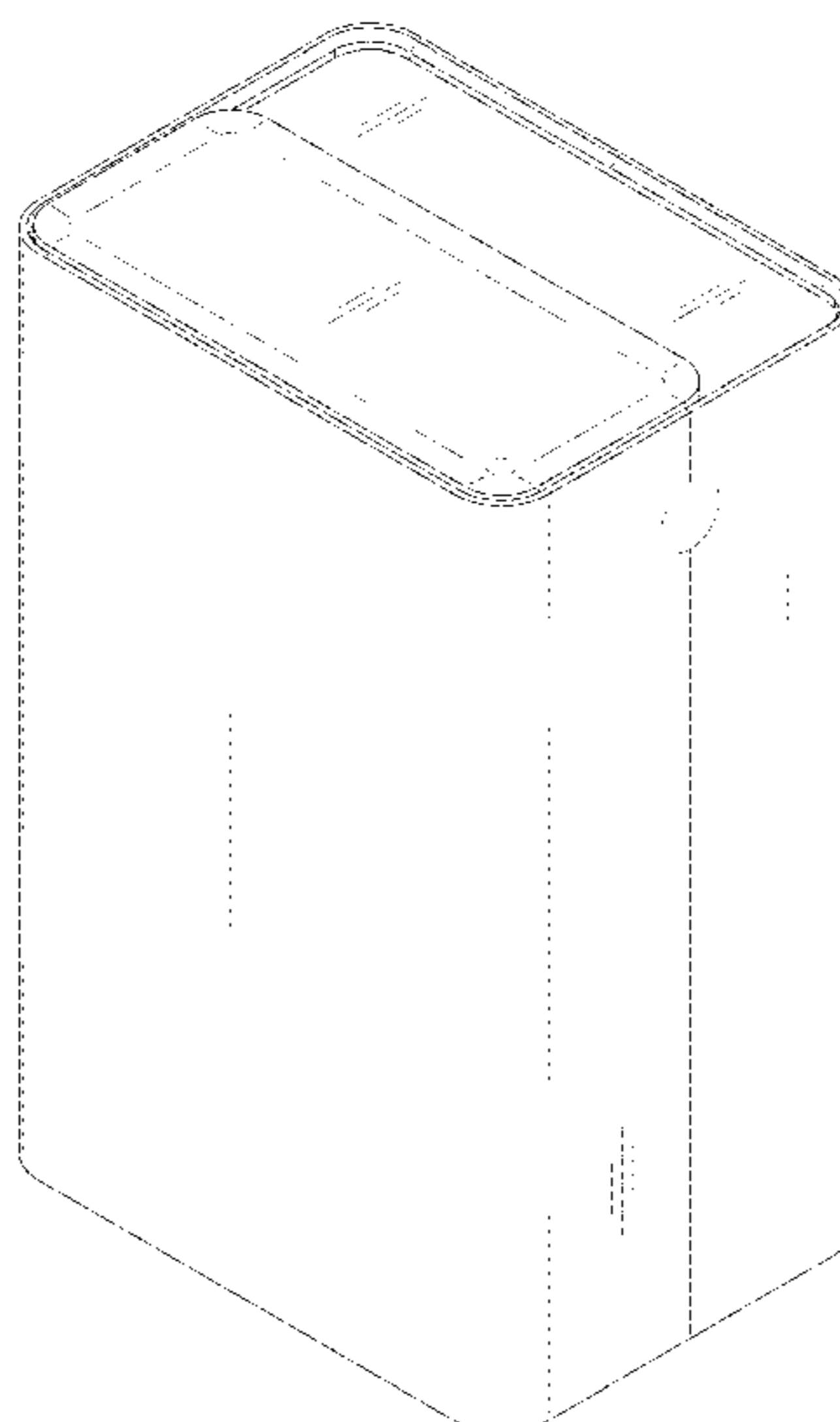


FIG. 1

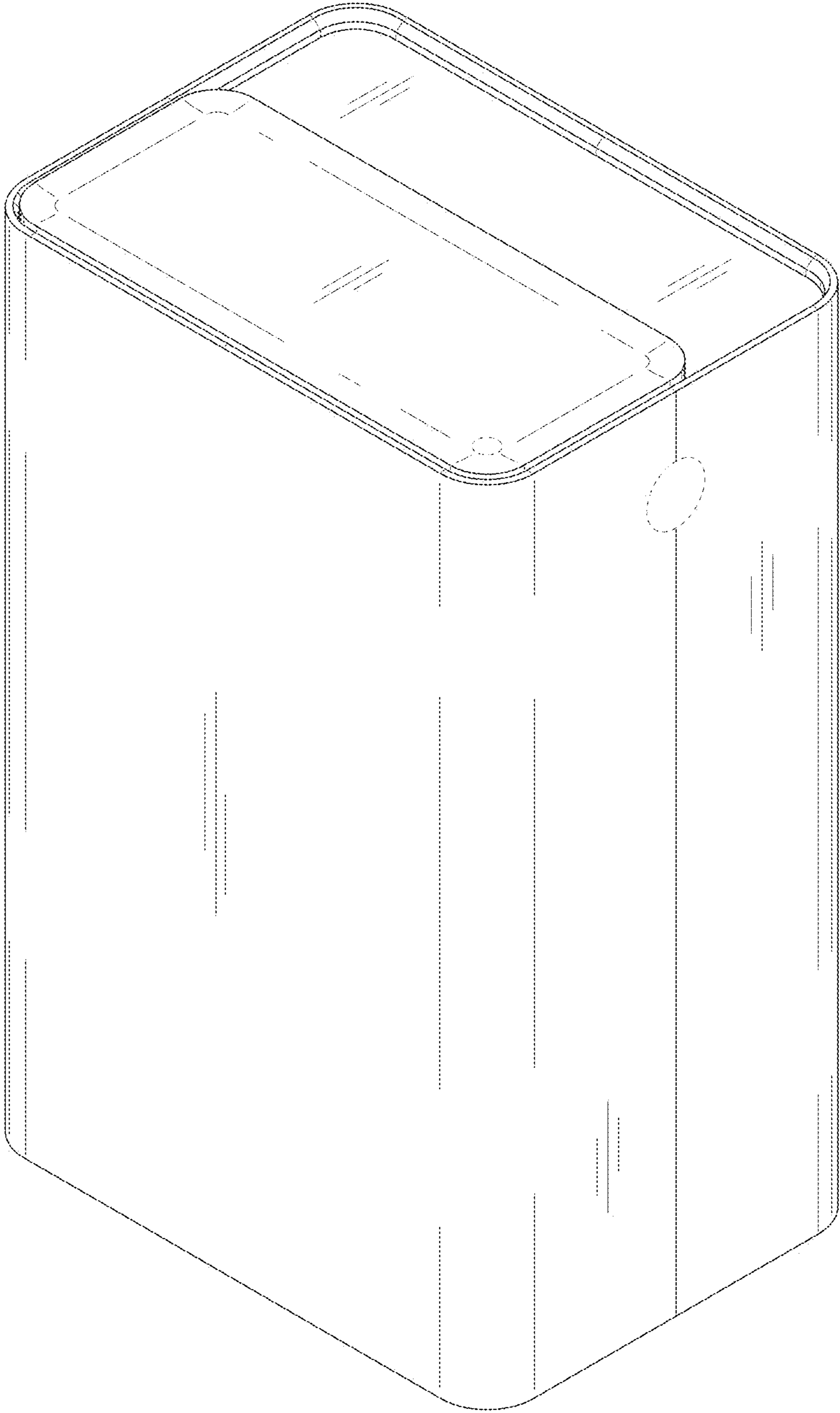


FIG. 2

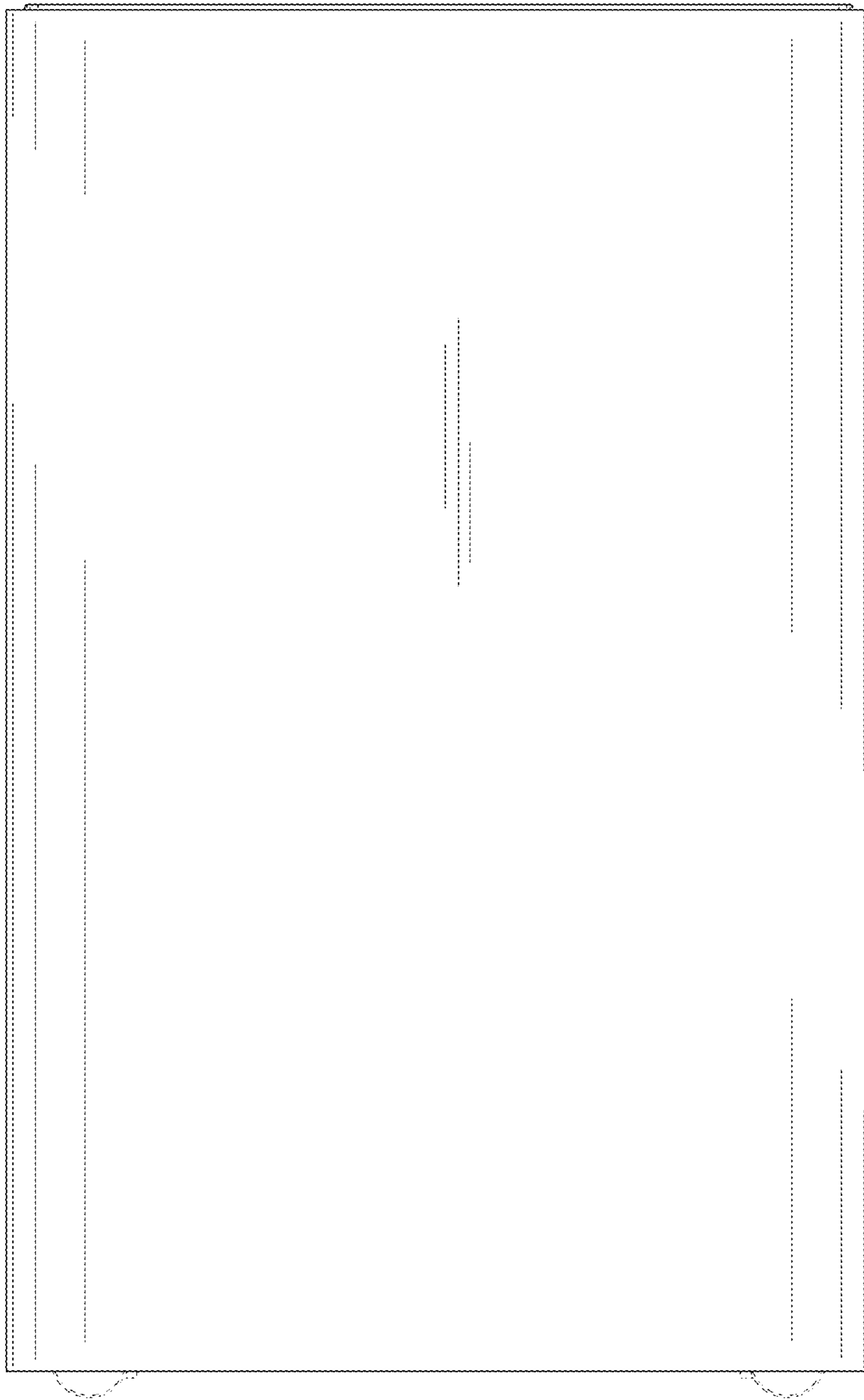


FIG. 3



FIG. 4

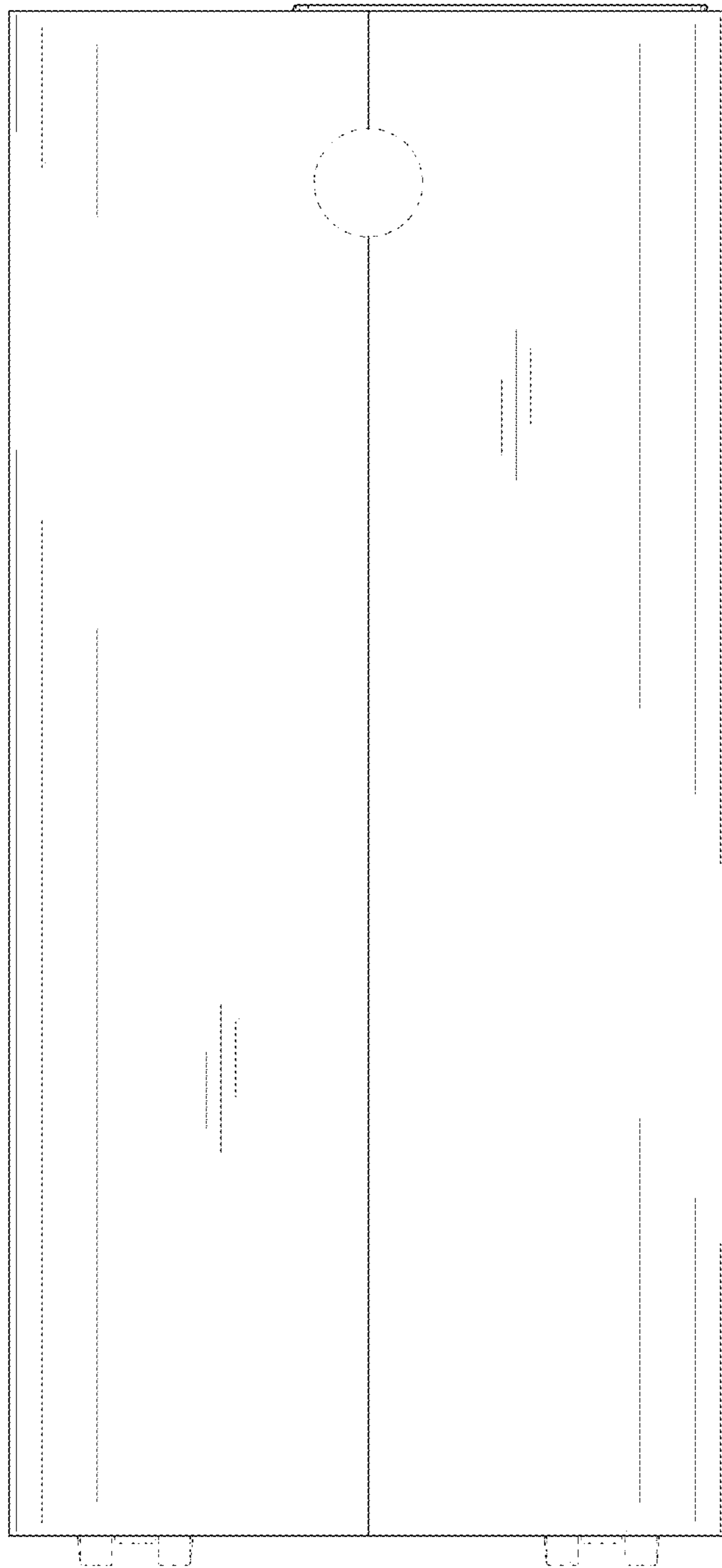


FIG. 5

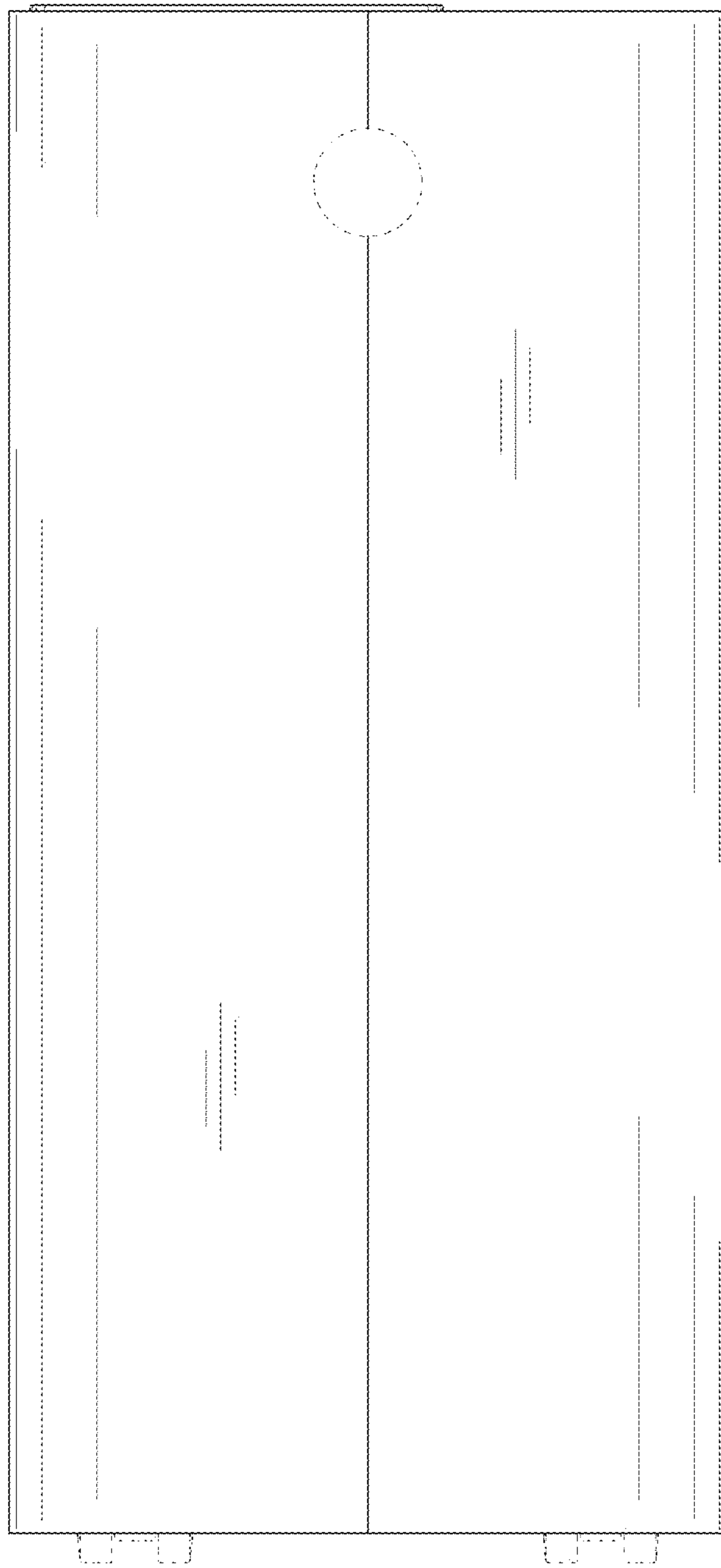


FIG. 6

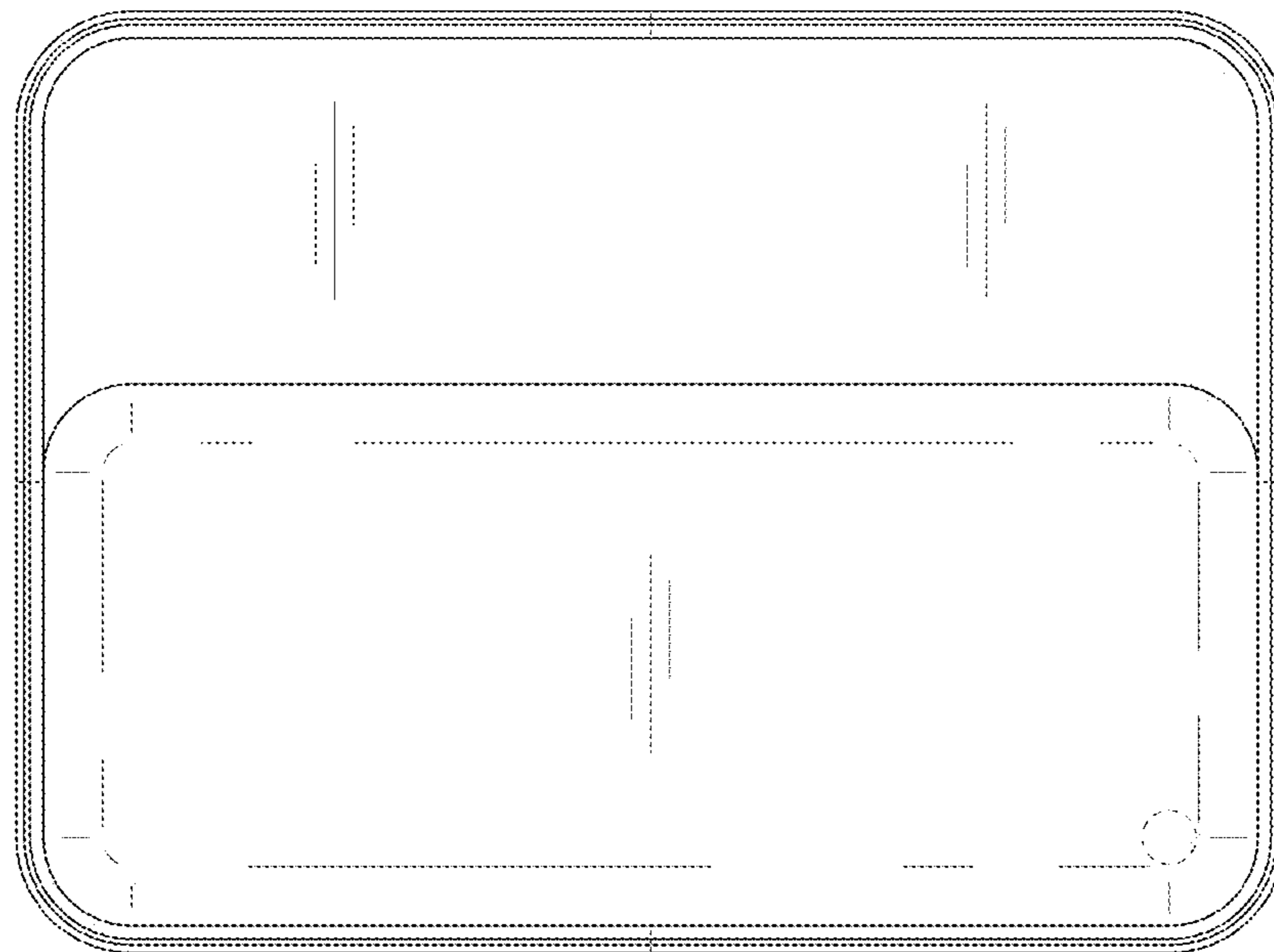


FIG. 7

