



US00D952113S

(12) **United States Design Patent** (10) **Patent No.:** **US D952,113 S**
Wang et al. (45) **Date of Patent:** **** May 17, 2022**

(54) **BRAZIER HEATER**

FOREIGN PATENT DOCUMENTS

(71) Applicant: **Jiangsu Gardensun Furnace Co., Ltd.**, Jiangsu (CN)

CN 306169427 * 6/2020

(72) Inventors: **Jianping Wang**, Jiangsu (CN); **Hailu Wang**, Jiangsu (CN); **Haiyang Zhang**, Jiangsu (CN)

OTHER PUBLICATIONS

Fire Basket, unavailable Date[online], [site visited Oct. 15, 2021]. Available from internet, URL:<<https://www.serax.com/en/firebasket-dia58-h80>> (Year: 2021).*

(73) Assignee: **Jiangsu Gardensun Furnace Co., Ltd.**, Changzhou (CN)

* cited by examiner

(**) Term: **15 Years**

Primary Examiner — Barbara Fox
Assistant Examiner — Jamaal Rasheed

(21) Appl. No.: **29/745,587**

(57) **CLAIM**

(22) Filed: **Aug. 7, 2020**

The ornamental design for a brazier heater, as shown and described.

(30) **Foreign Application Priority Data**

DESCRIPTION

Jun. 5, 2020 (CN) 202030278754.X

(51) **LOC (13) Cl.** **23-03**

(52) **U.S. Cl.**
USPC **D23/335**

(58) **Field of Classification Search**
USPC D23/314, 328, 332, 335-342, 377, 499
CPC F24H 3/04; F24H 9/006; F24H 1/22; F24F 1/02; F24C 15/00; F24C 15/30
See application file for complete search history.

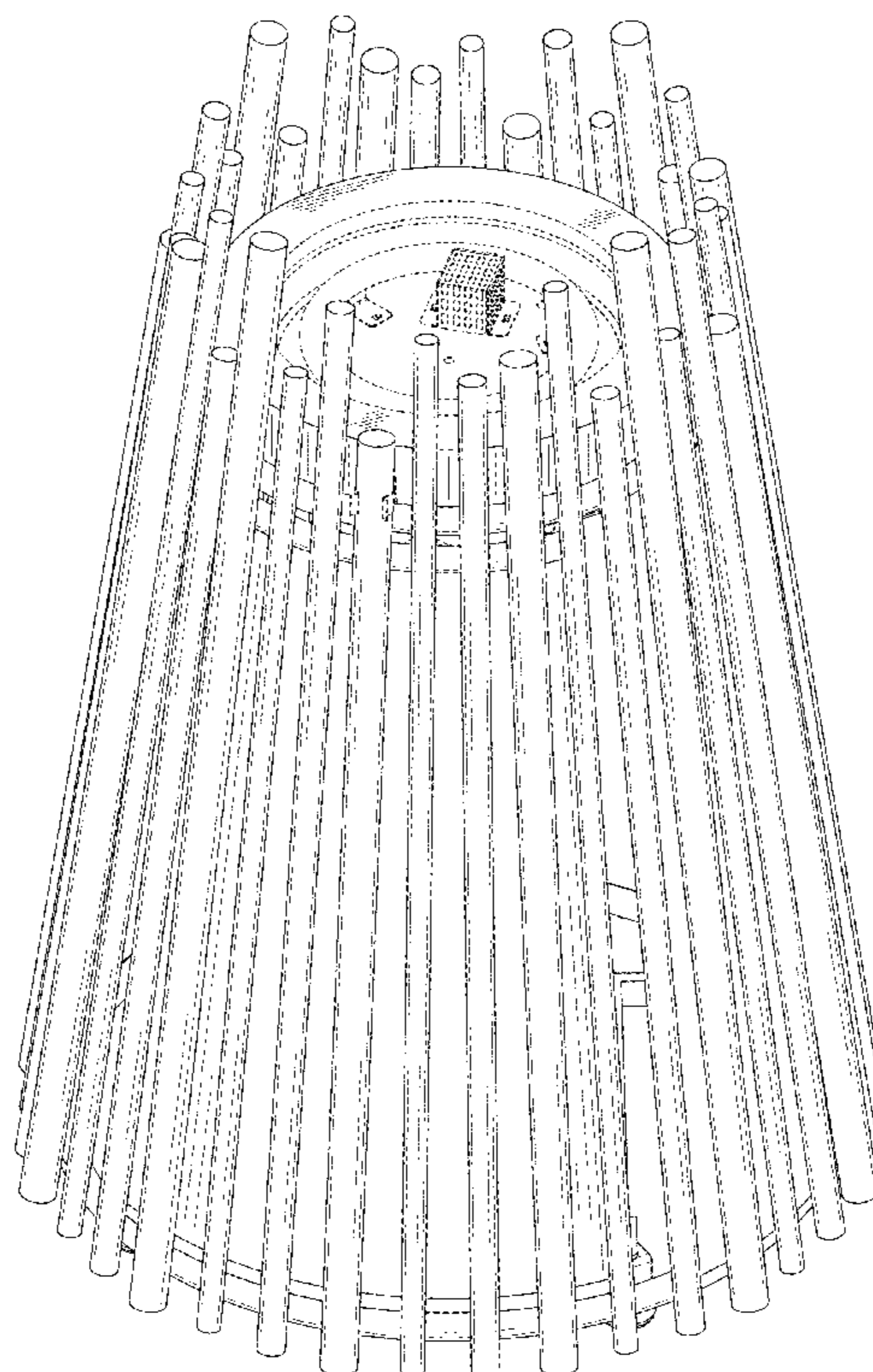
FIG. 1 is a top, front and right side perspective view of a brazier heater showing our new design;
FIG. 2 is a bottom, rear and right side perspective view thereof;
FIG. 3 is a front elevational view thereof;
FIG. 4 is a rear elevational view thereof;
FIG. 5 is a left side view thereof;
FIG. 6 is a right side view thereof;
FIG. 7 is a top plan view thereof;
FIG. 8 is a bottom plan view thereof; and,
FIG. 9 is a top, front and right side perspective view showing the brazier heater in an open state.
The broken lines in the drawings illustrate portions of the brazier heater which form no part of the claimed design.

(56) **References Cited**

U.S. PATENT DOCUMENTS

D251,500 S * 4/1979 Aigner D13/179
D275,883 S * 10/1984 Nakamura D23/338

1 Claim, 9 Drawing Sheets



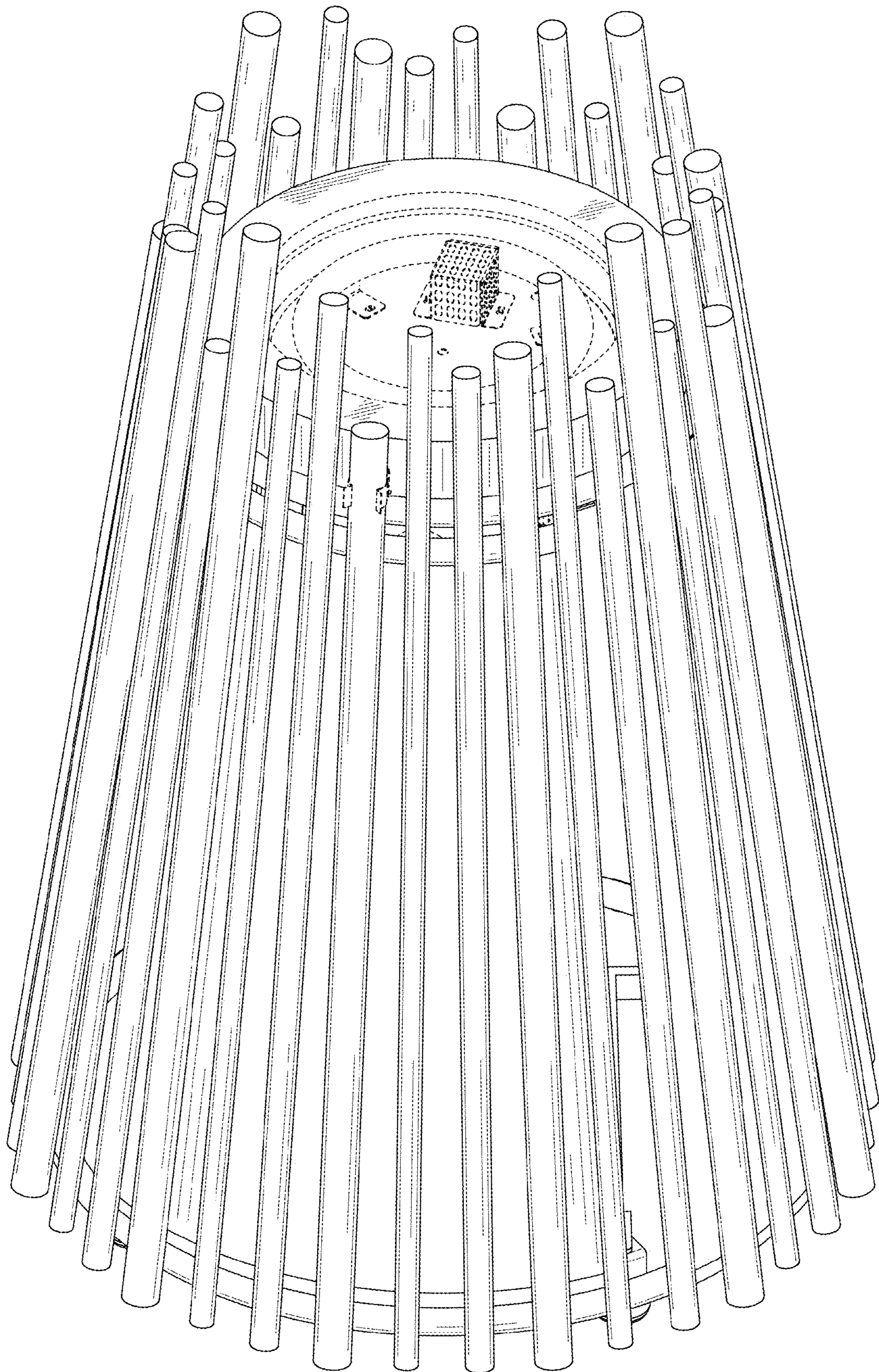


FIG. 1

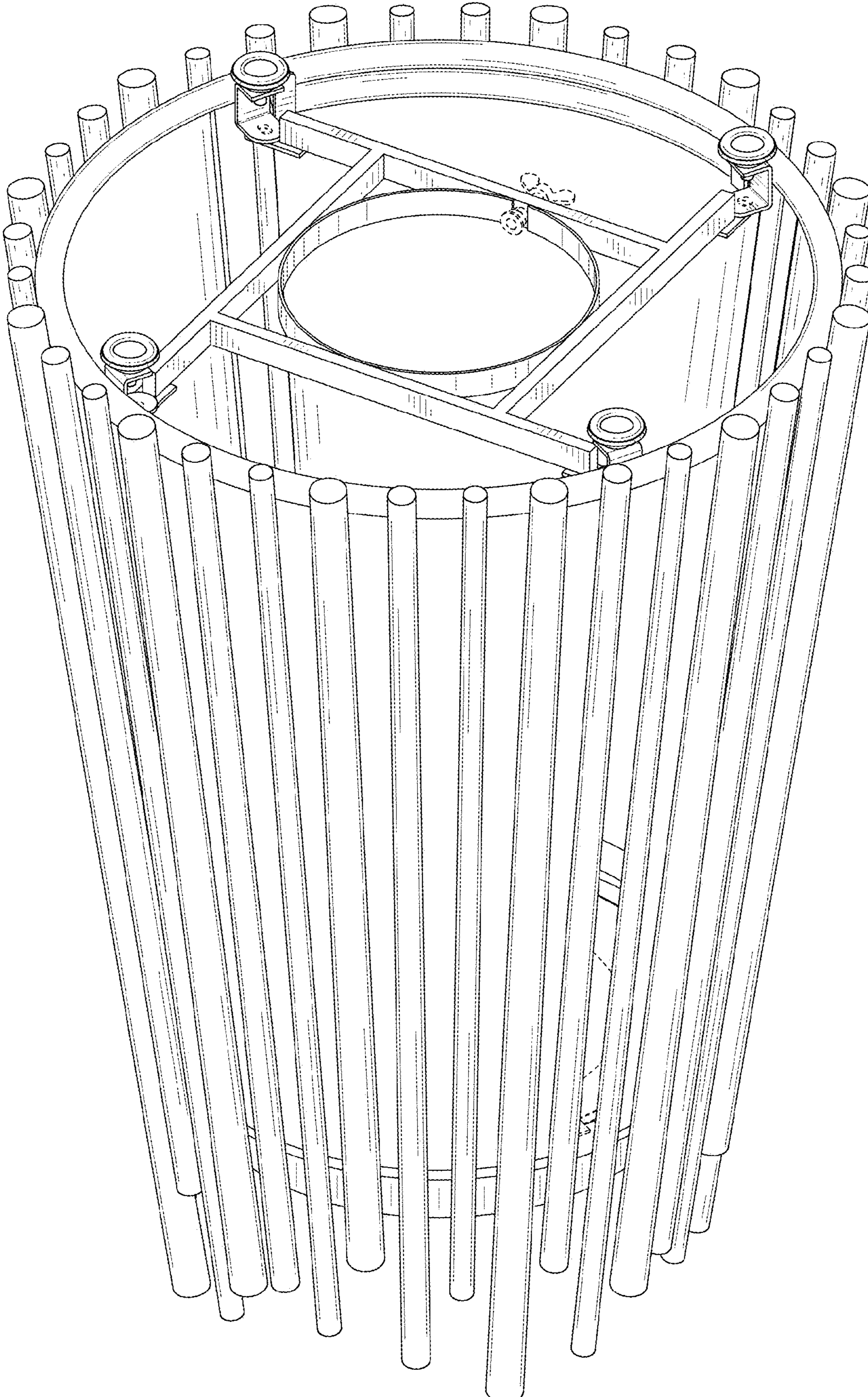


FIG. 2

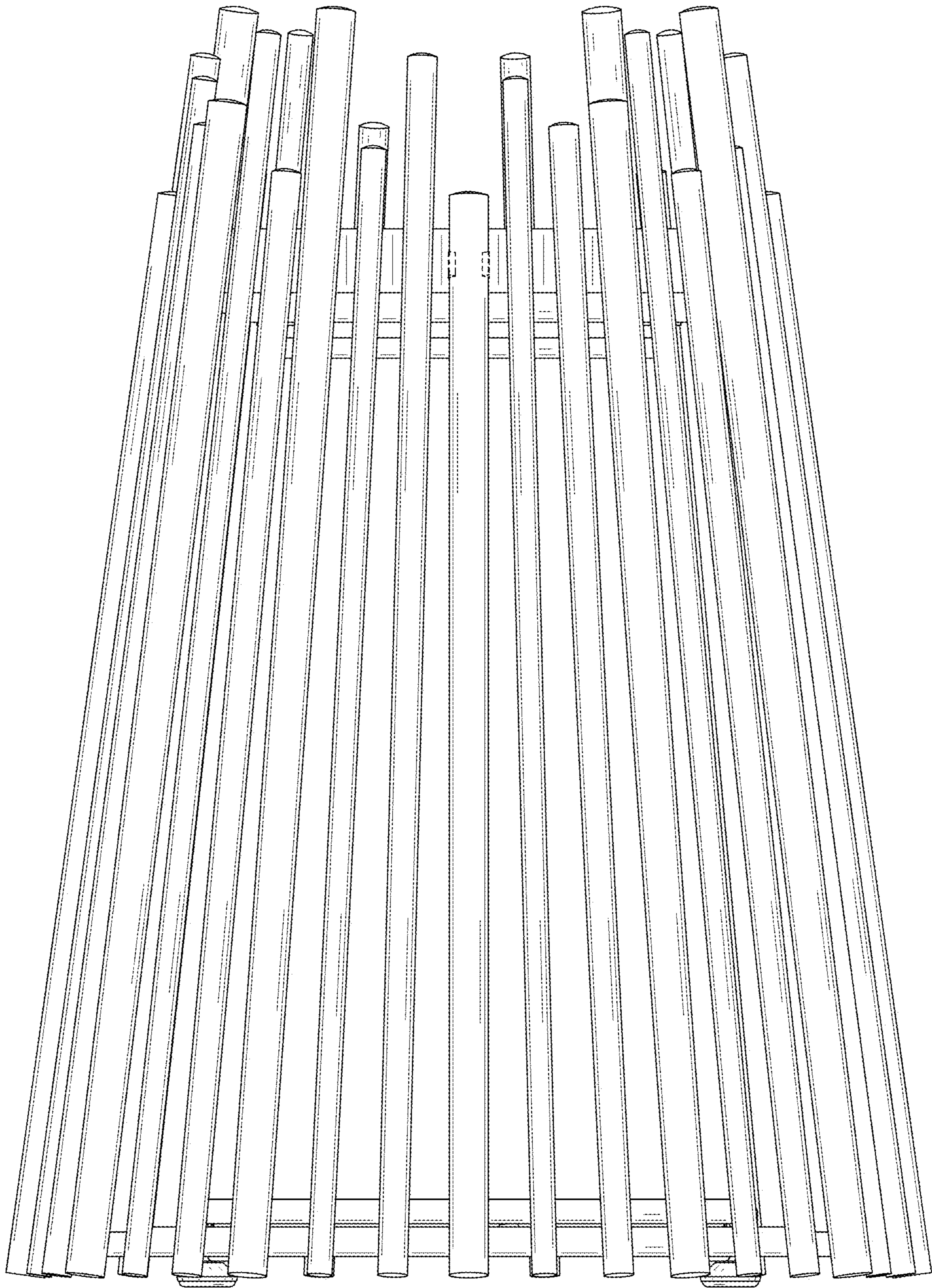


FIG. 3

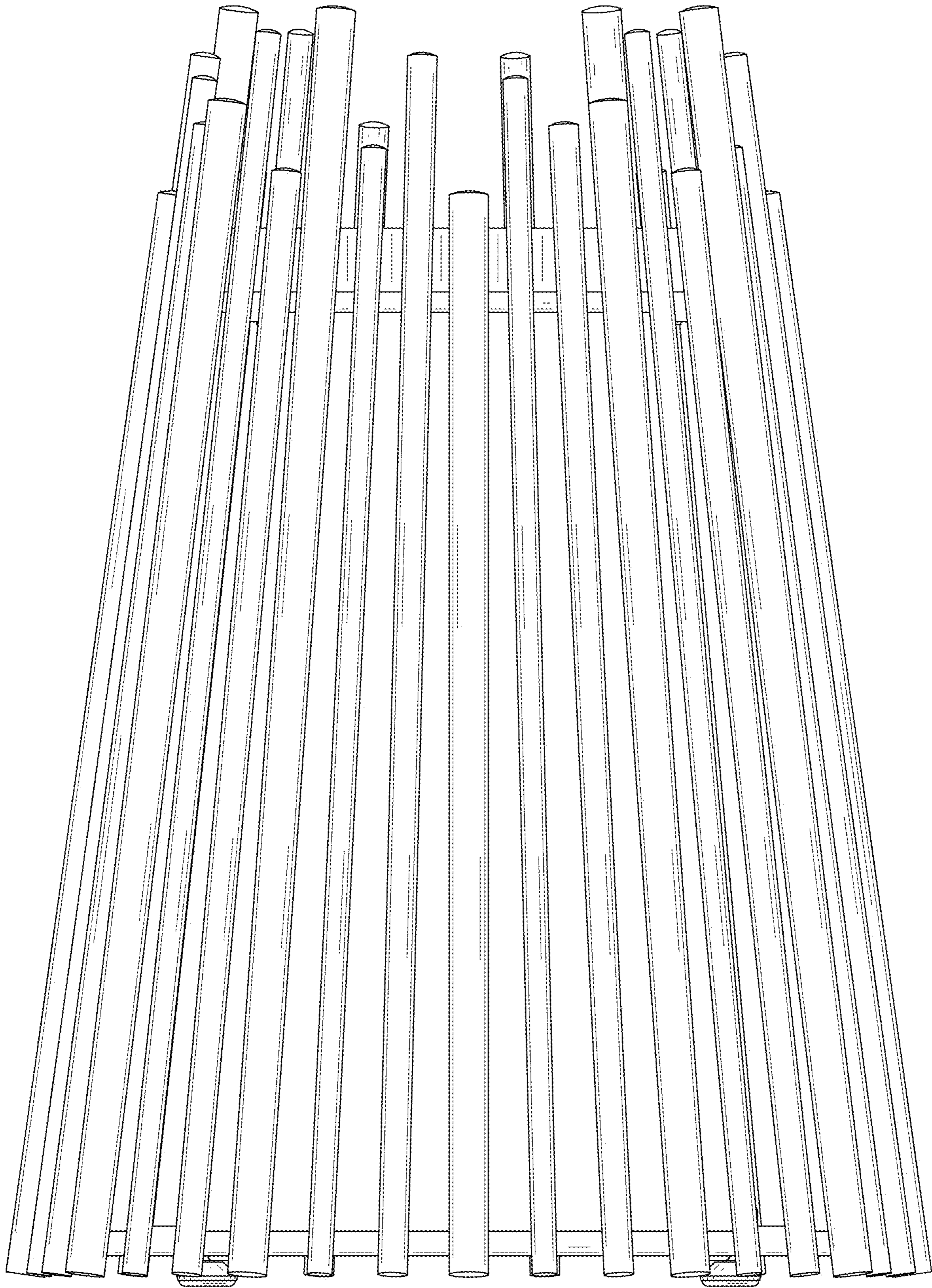


FIG. 4

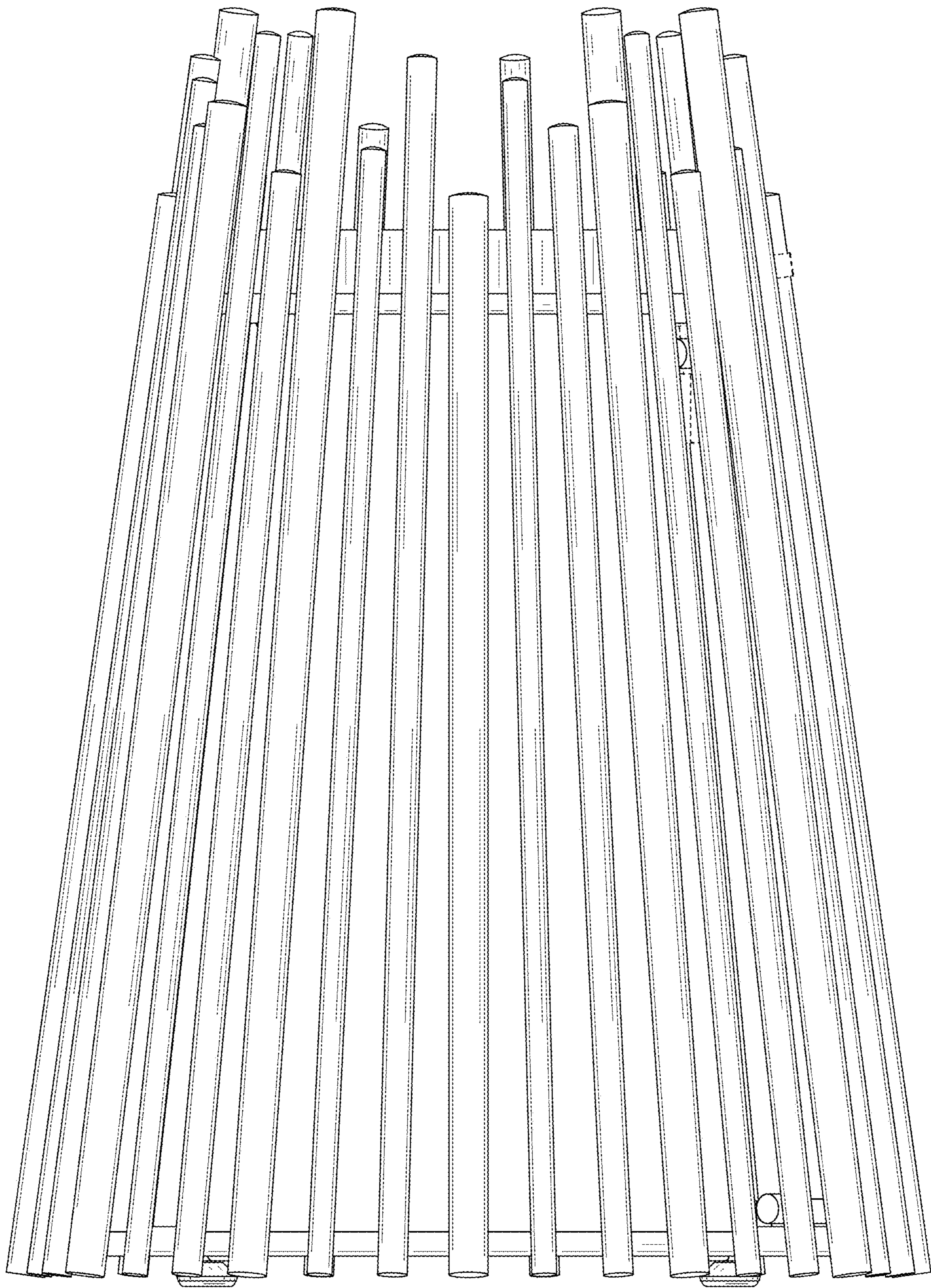


FIG. 5

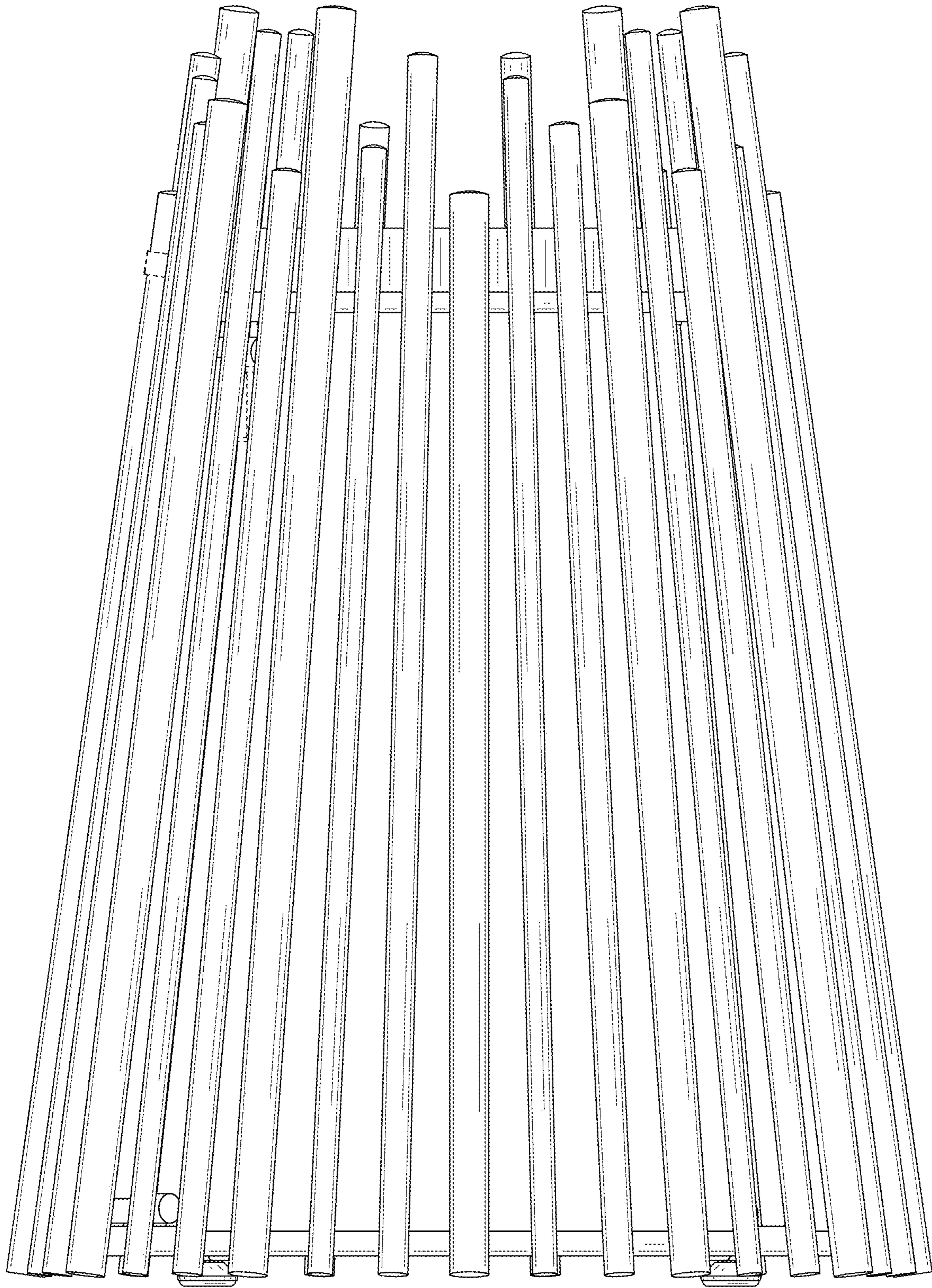


FIG. 6

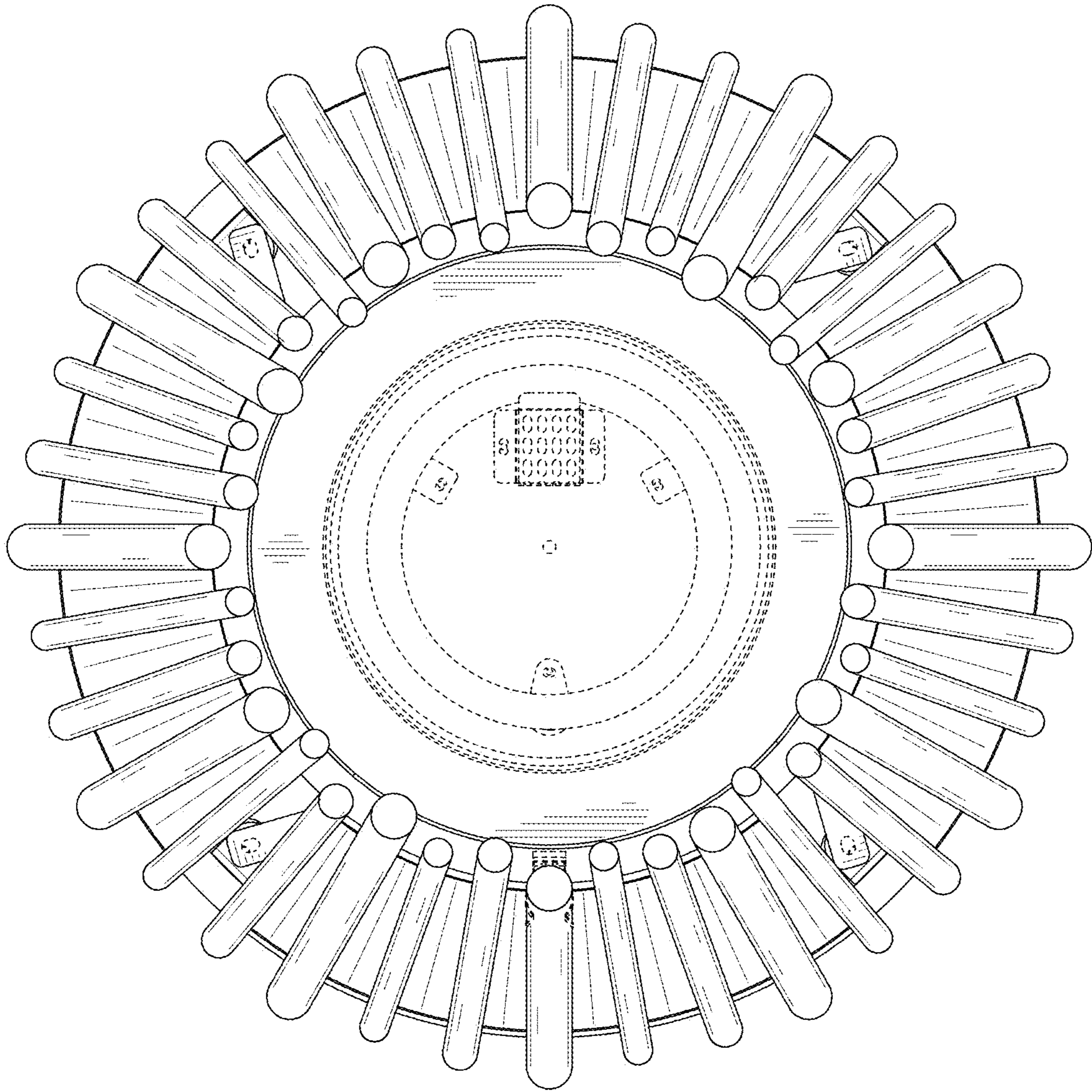


FIG. 7

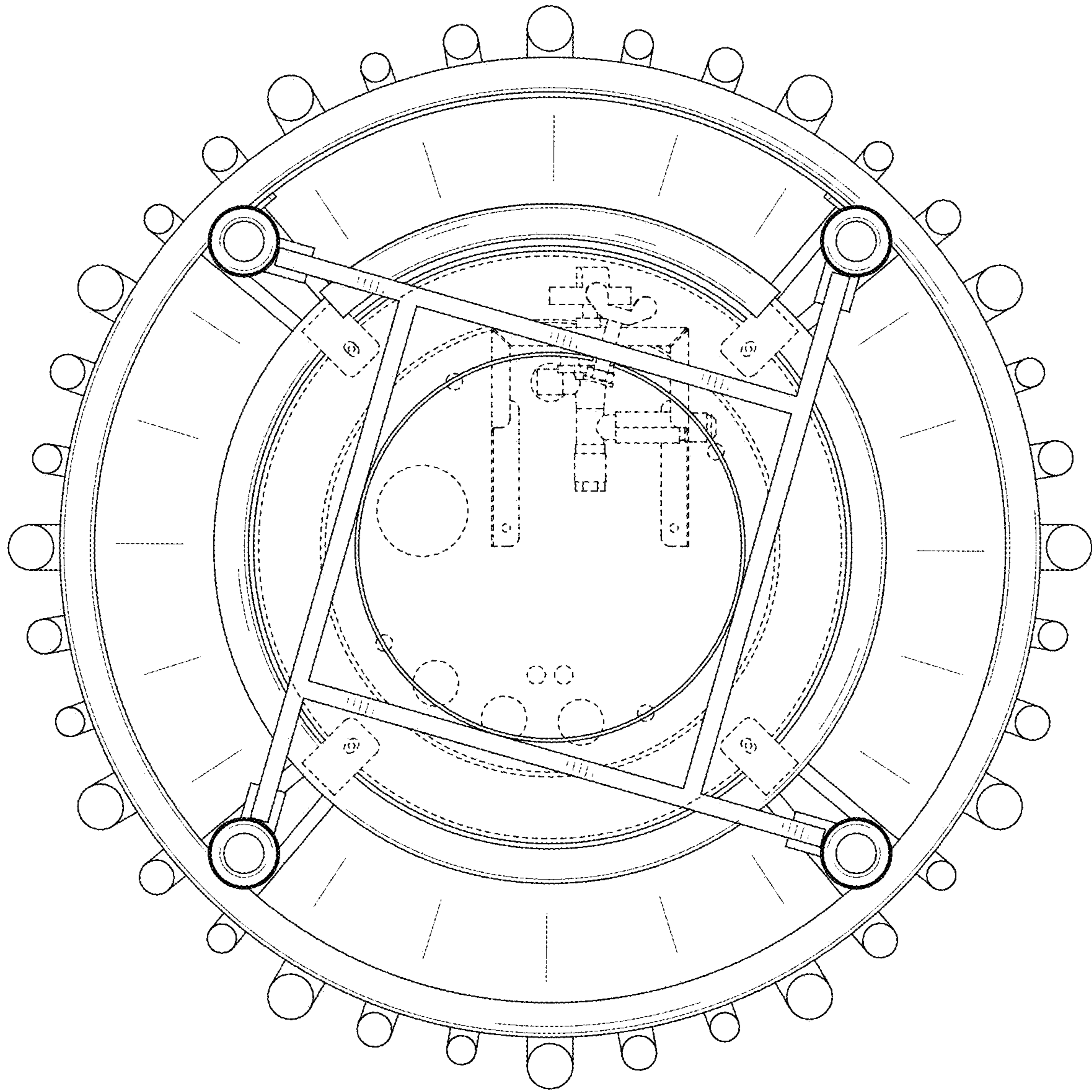


FIG. 8

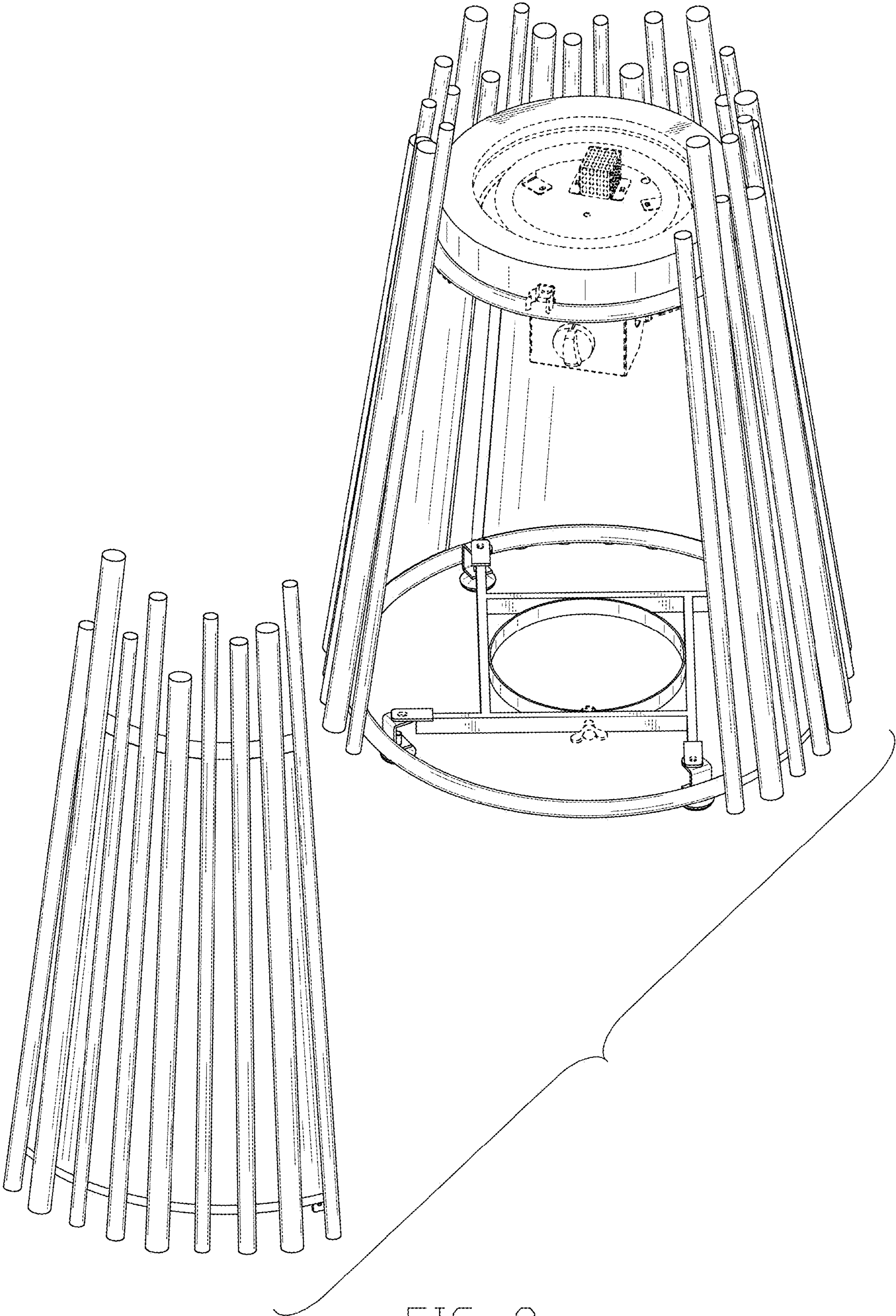


FIG. 9