



US00D952111S

(12) **United States Design Patent**
Svengalis

(10) **Patent No.:** **US D952,111 S**

(45) **Date of Patent:** **** May 17, 2022**

(54) **WINDSHIELD DEICER HOUSING OUTLET PLATE**

(71) Applicant: **SBCD ENTERPRISES LLC**, Los Angeles, CA (US)

(72) Inventor: **David Svengalis**, Los Angeles, CA (US)

(73) Assignee: **SBCD Enterprises LLC**, Los Angeles, CA (US)

(**) Term: **15 Years**

(21) Appl. No.: **29/744,176**

(22) Filed: **Jul. 28, 2020**

Related U.S. Application Data

(60) Division of application No. 29/688,847, filed on Apr. 24, 2019, now Pat. No. Des. 893,966, which is a continuation-in-part of application No. 16/393,813, filed on Apr. 24, 2019.

(51) **LOC (13) Cl.** **12-16**

(52) **U.S. Cl.**
USPC **D23/326; D8/29.2**

(58) **Field of Classification Search**
USPC D8/14, 29.1, 29.2, 30, 51; D12/155;
D23/324, 326
CPC .. H05B 3/84; H05B 1/0236; H05B 2203/031;
H05B 2203/014; H05B 2203/016; D06F
53/045
See application file for complete search history.

(56) **References Cited**

U.S. PATENT DOCUMENTS

2,206,174 A * 7/1940 Falk D06F 53/045
211/119.1
2,490,154 A * 12/1949 Pearson F16G 11/12
211/119.15

2,865,514 A * 12/1958 Goodman D06F 53/045
211/119.15
2,872,047 A * 2/1959 Ostlund D06F 53/045
211/119.15
2,914,188 A * 11/1959 Hansen D06F 53/045
211/119.15
2,989,267 A * 6/1961 Mehl D06F 53/045
242/384.7
3,096,884 A * 7/1963 Leshner D06F 53/045
211/119.15
3,173,548 A * 3/1965 Hesener D06F 53/045
211/119.15
3,454,300 A * 7/1969 Barhorst B60J 11/025
296/95.1
3,477,660 A * 11/1969 Garnett D06F 53/045
242/379
3,584,745 A * 6/1971 Wrightson D06F 53/045
211/119.15

(Continued)

Primary Examiner — Philip S Hyder

(74) *Attorney, Agent, or Firm* — Fulwider Patton LLP

(57) **CLAIM**

I, claim the ornamental design for a windshield deicer, as shown and described.

DESCRIPTION

FIG. 1 is a top perspective view of a retractable deicer having a housing outlet plate incorporating the present invention;

FIG. 2 is a bottom perspective view of the retractable deicer device shown in FIG. 1;

FIG. 3 is a left hand in view thereof;

FIG. 4 is a back end view thereof;

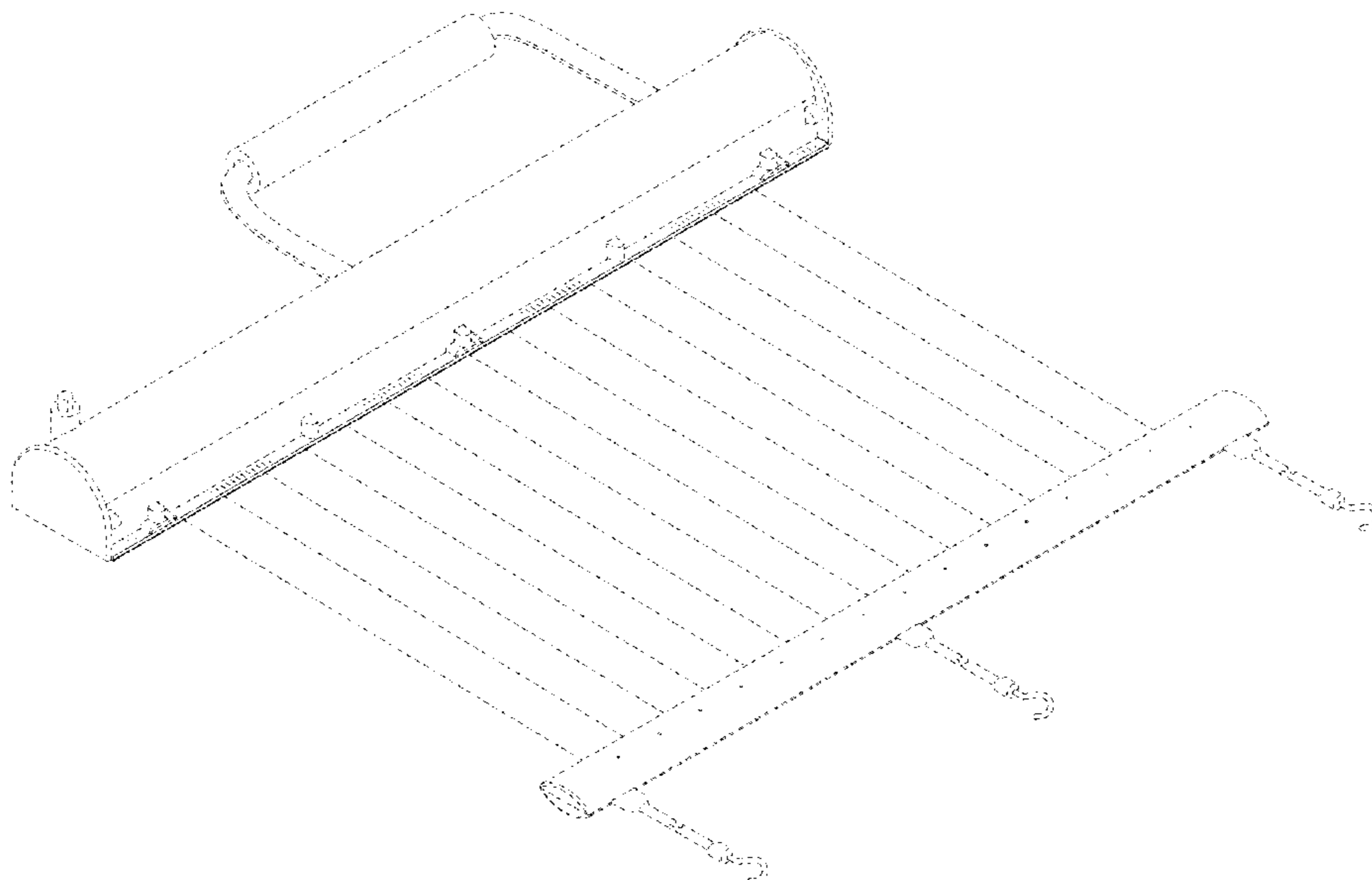
FIG. 5 is a front end view thereof;

FIG. 6 is a bottom view thereof; and,

FIG. 7 is a top view thereof.

The broken line structure is provided for purposes of environment and forms no part of the claimed design.

1 Claim, 5 Drawing Sheets



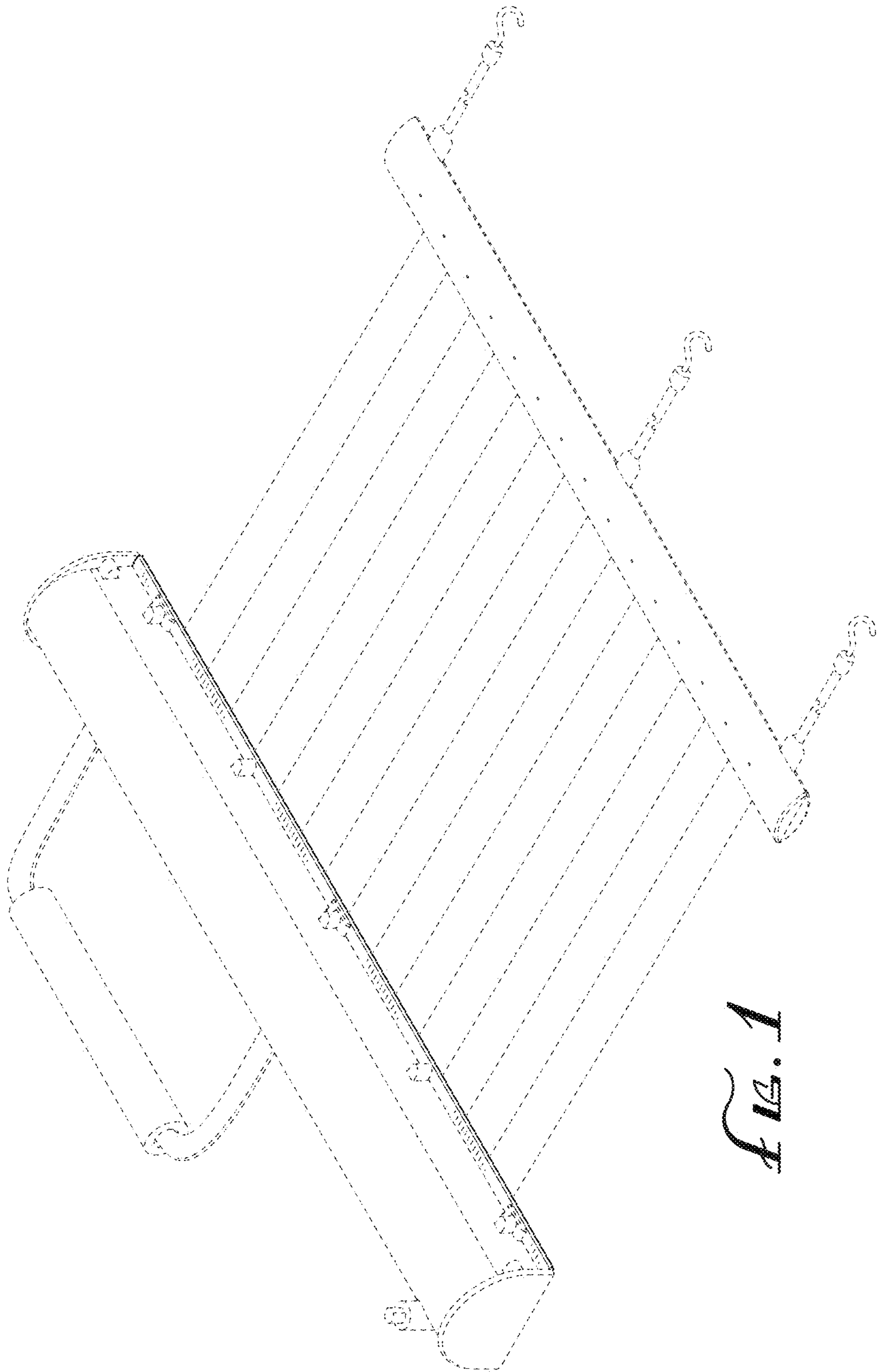
(56)

References Cited

U.S. PATENT DOCUMENTS

3,627,142 A * 12/1971 Steiner D06F 57/12
211/119.1
3,964,780 A * 6/1976 Naidu B60J 11/08
150/168
4,488,033 A * 12/1984 Trachtenberg H05B 3/84
156/574
4,940,317 A * 7/1990 Reuben A47G 1/02
219/219
4,971,848 A * 11/1990 Ruelle H05B 3/84
428/38
5,016,762 A * 5/1991 Tsabar D06F 53/045
160/265
D332,486 S * 1/1993 Cabral D23/326
5,615,924 A * 4/1997 Owen B60J 11/025
160/370.22
D397,834 S * 9/1998 Ho D32/60
6,237,781 B1 * 5/2001 Dahl B62H 3/12
211/17
8,087,712 B2 * 1/2012 Svengalis B26D 1/553
296/96.15
8,656,632 B1 * 2/2014 Mercier A01K 91/18
43/27.4

* cited by examiner



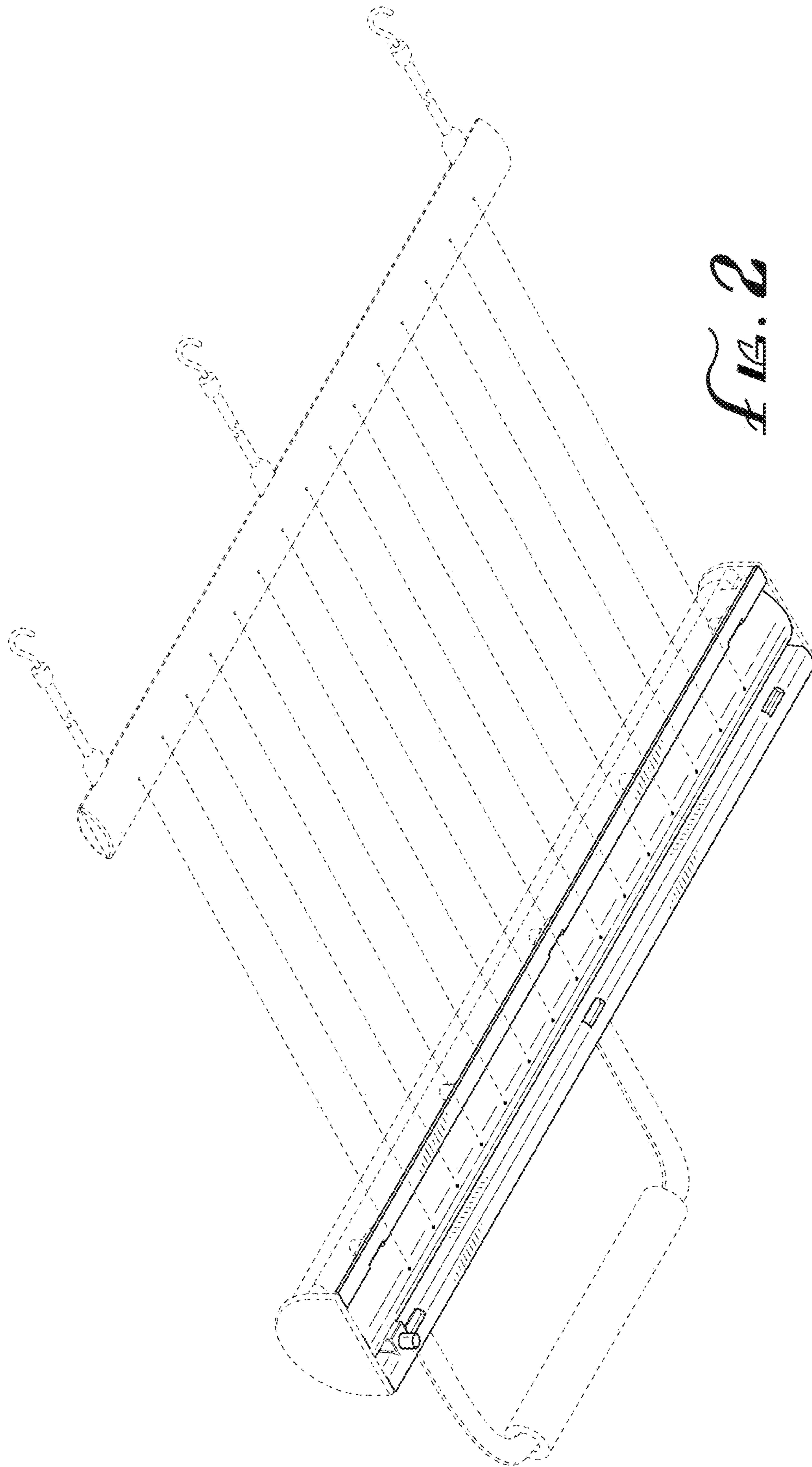


FIG. 2

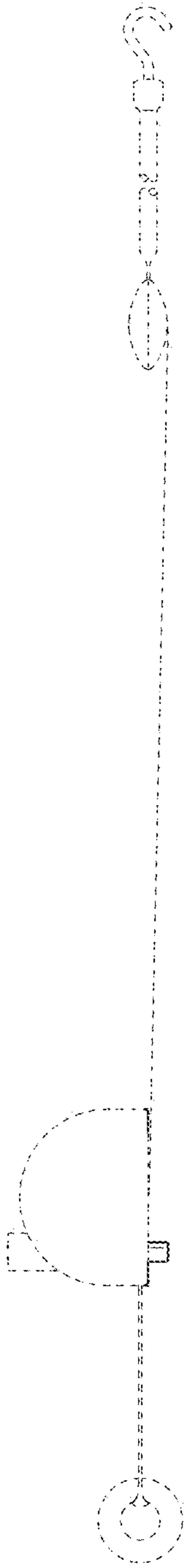


FIG. 3

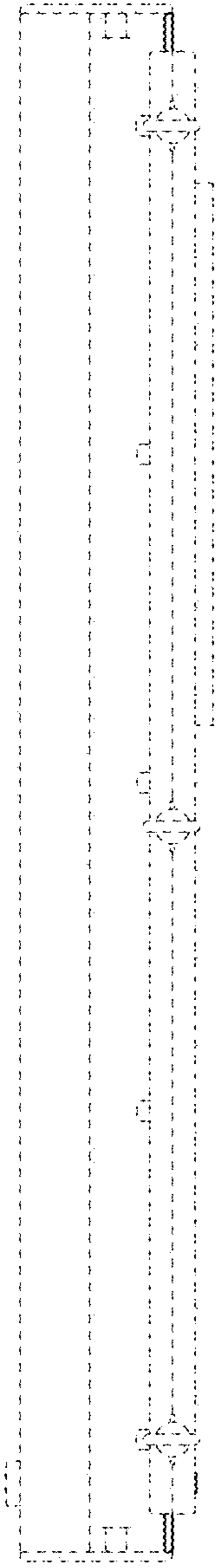


FIG. 4

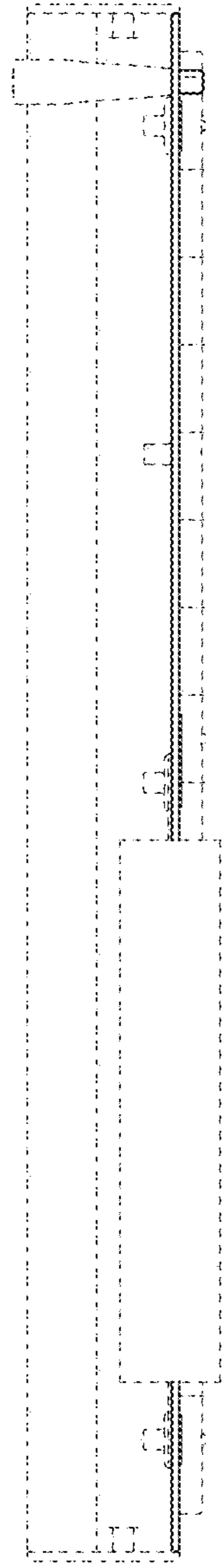


FIG. 5

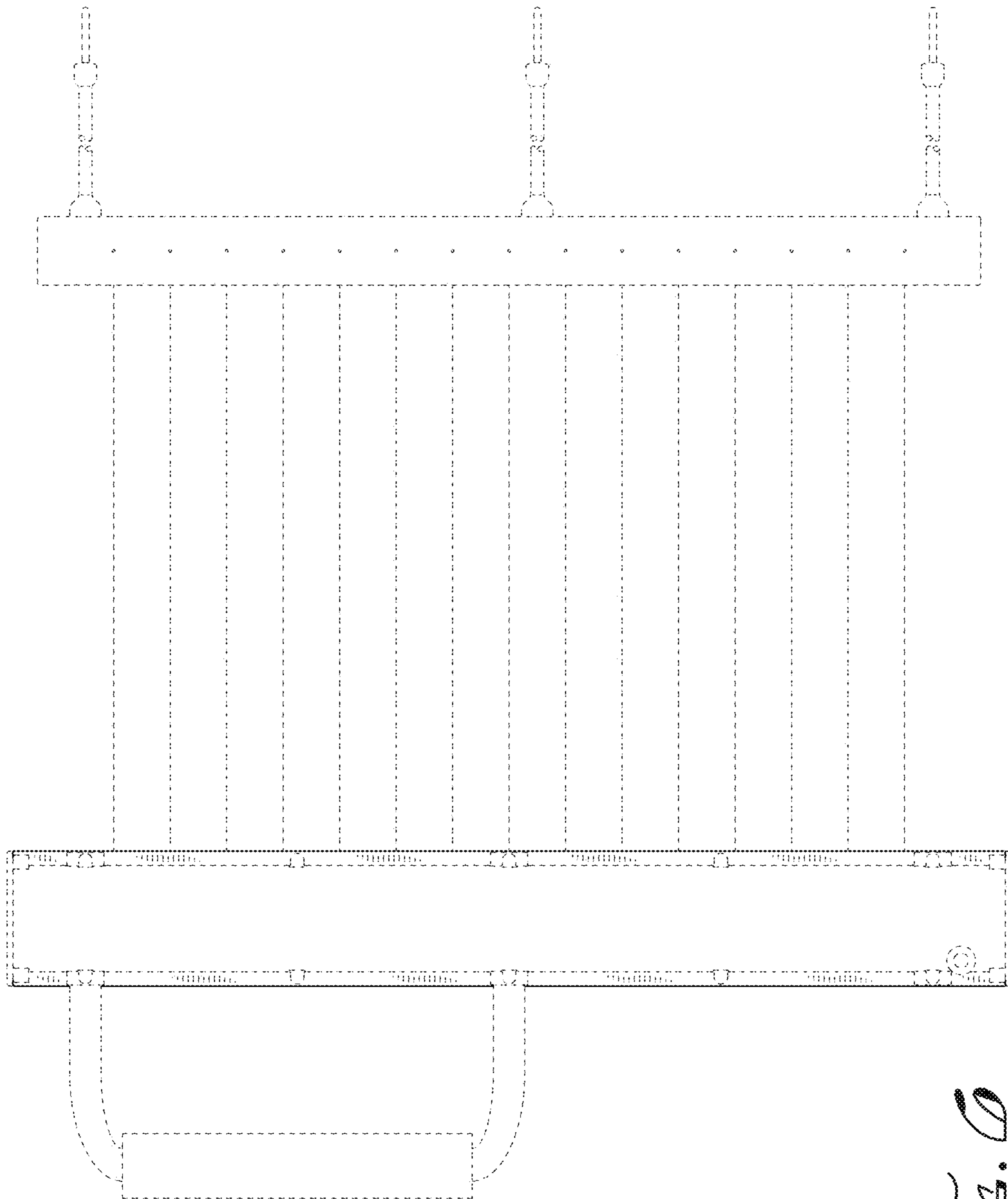


FIG. 10

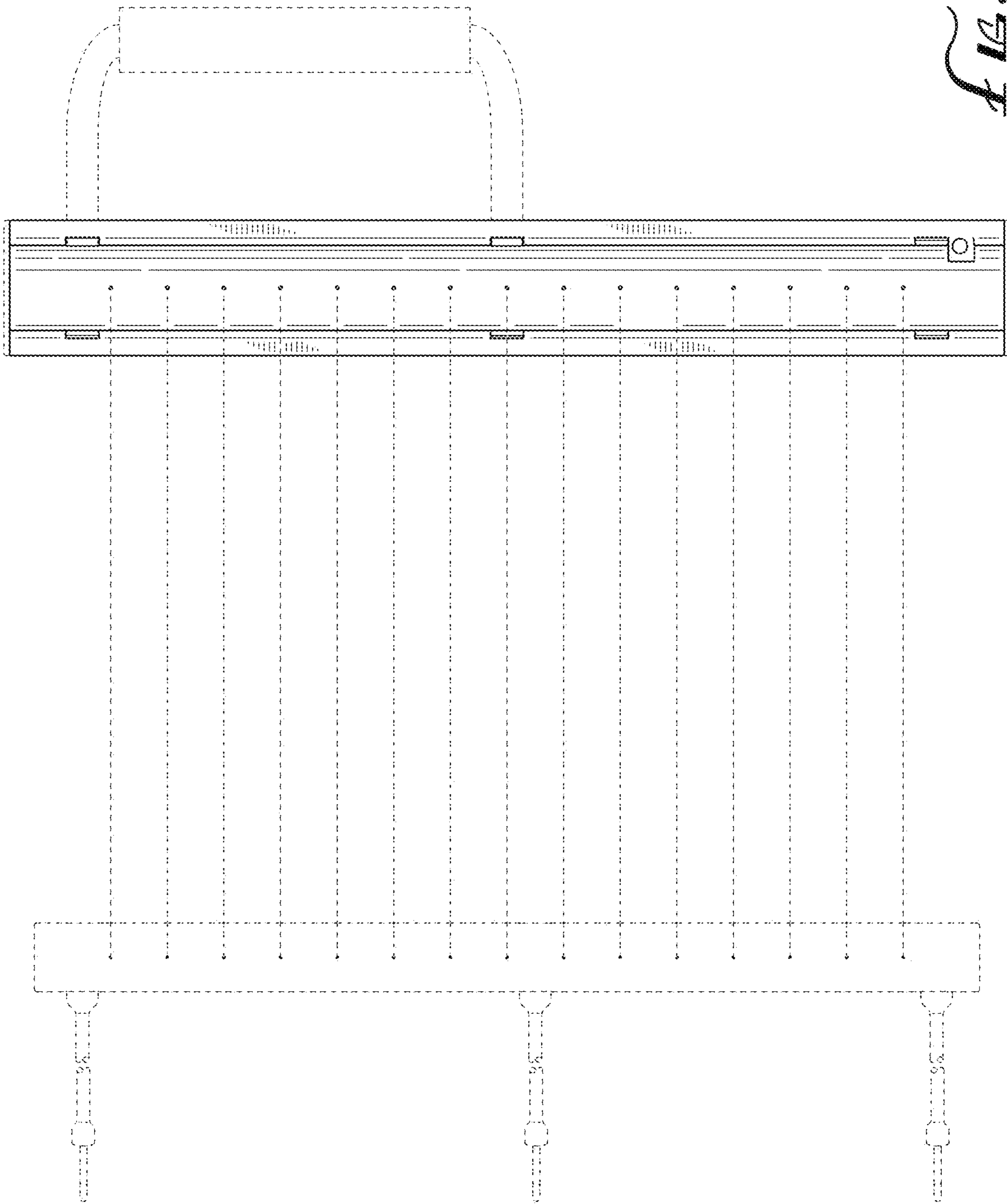


FIG. 7