



US00D952109S

(12) **United States Design Patent**
Sun

(10) **Patent No.:** **US D952,109 S**

(45) **Date of Patent:** **** May 17, 2022**

(54) **TOILET LID**

(71) Applicant: **Moen Incorporated**, North Olmsted,
OH (US)

(72) Inventor: **Xinyu Sun**, Shanghai (CN)

(73) Assignee: **FB Global Plumbing Group LLC**,
North Olmsted, OH (US)

(**) Term: **15 Years**

(21) Appl. No.: **29/716,426**

(22) Filed: **Dec. 10, 2019**

(51) **LOC (13) Cl.** **23-02**

(52) **U.S. Cl.**
USPC **D23/311**

(58) **Field of Classification Search**
USPC D23/295–296, 300–301, 311–312
See application file for complete search history.

(56) **References Cited**

U.S. PATENT DOCUMENTS

D382,946 S	8/1997	Kawamura et al.	
D484,223 S	12/2003	Tani et al.	
D603,488 S	11/2009	Maruhashi	
D608,426 S	1/2010	Ando et al.	
D610,241 S	2/2010	Giovannoni	
D620,566 S	7/2010	Ogata et al.	
D639,399 S	6/2011	Takeuchi et al.	
D688,359 S *	8/2013	Ogata	D23/311
D747,449 S *	1/2016	Inomoto	D23/311

D810,898 S *	2/2018	Tsudoku	D23/295
D819,793 S *	6/2018	Yoo	D23/311
D826,387 S *	8/2018	Masuda	D23/311
D844,761 S *	4/2019	Nakabayashi	D23/311

* cited by examiner

Primary Examiner — Robert A Delehanty

(74) *Attorney, Agent, or Firm* — Calfee, Halter &
Griswold LLP

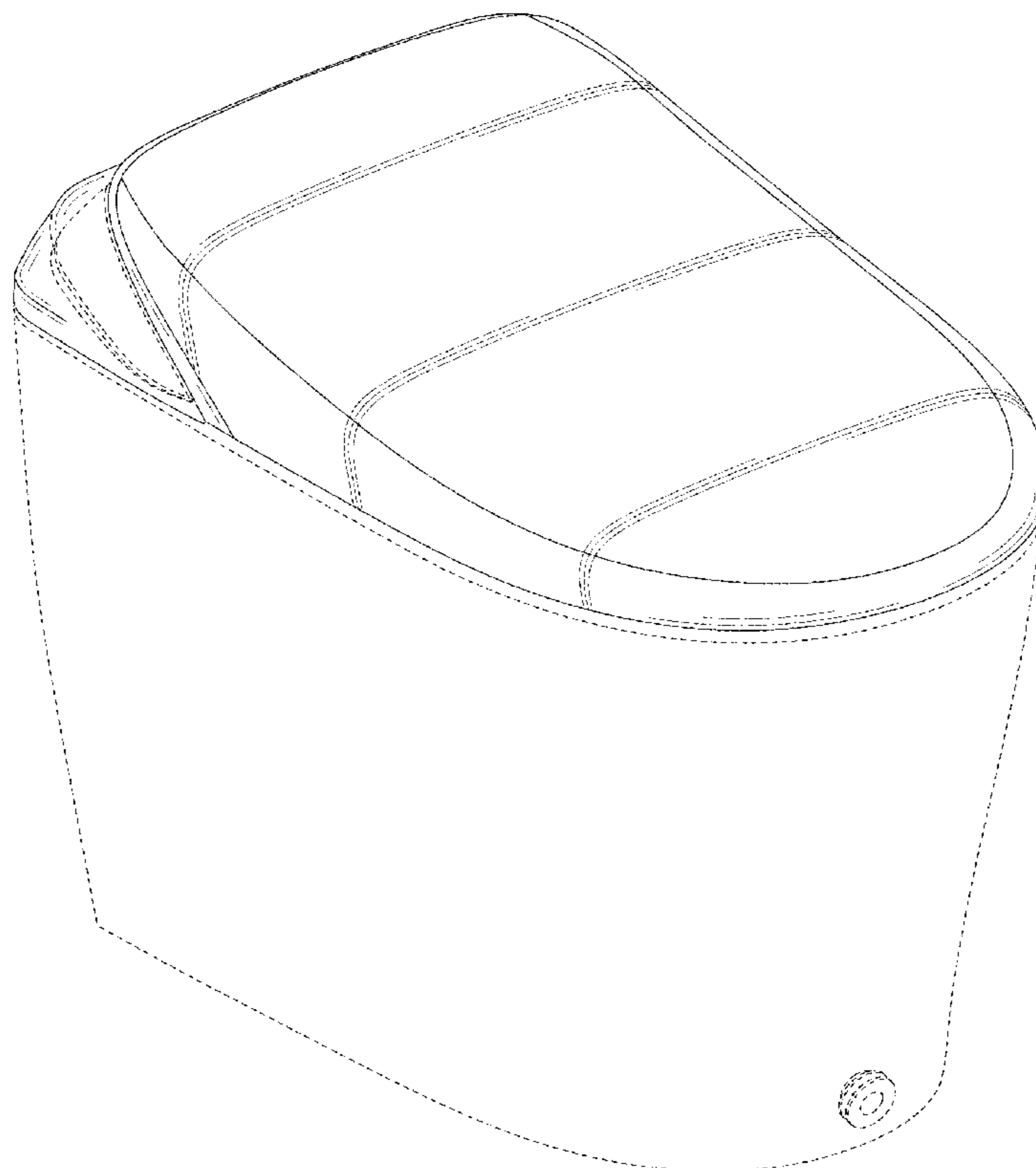
(57) **CLAIM**

The ornamental design for a toilet lid, as shown and described.

DESCRIPTION

FIG. 1 is a front left perspective view of a toilet lid of the new design;
 FIG. 2 is a front right perspective view of the toilet lid of FIG. 1;
 FIG. 3 is a front elevational view of the toilet lid of FIG. 1;
 FIG. 4 is a left side elevational view of the toilet lid of FIG. 1;
 FIG. 5 is a right side elevational view of the toilet lid of FIG. 1; and,
 FIG. 6 is a top plan view of the toilet lid of FIG. 1.
 The portions of the Figures shown in broken lines are not part of the claimed design and are for illustration only.

1 Claim, 6 Drawing Sheets



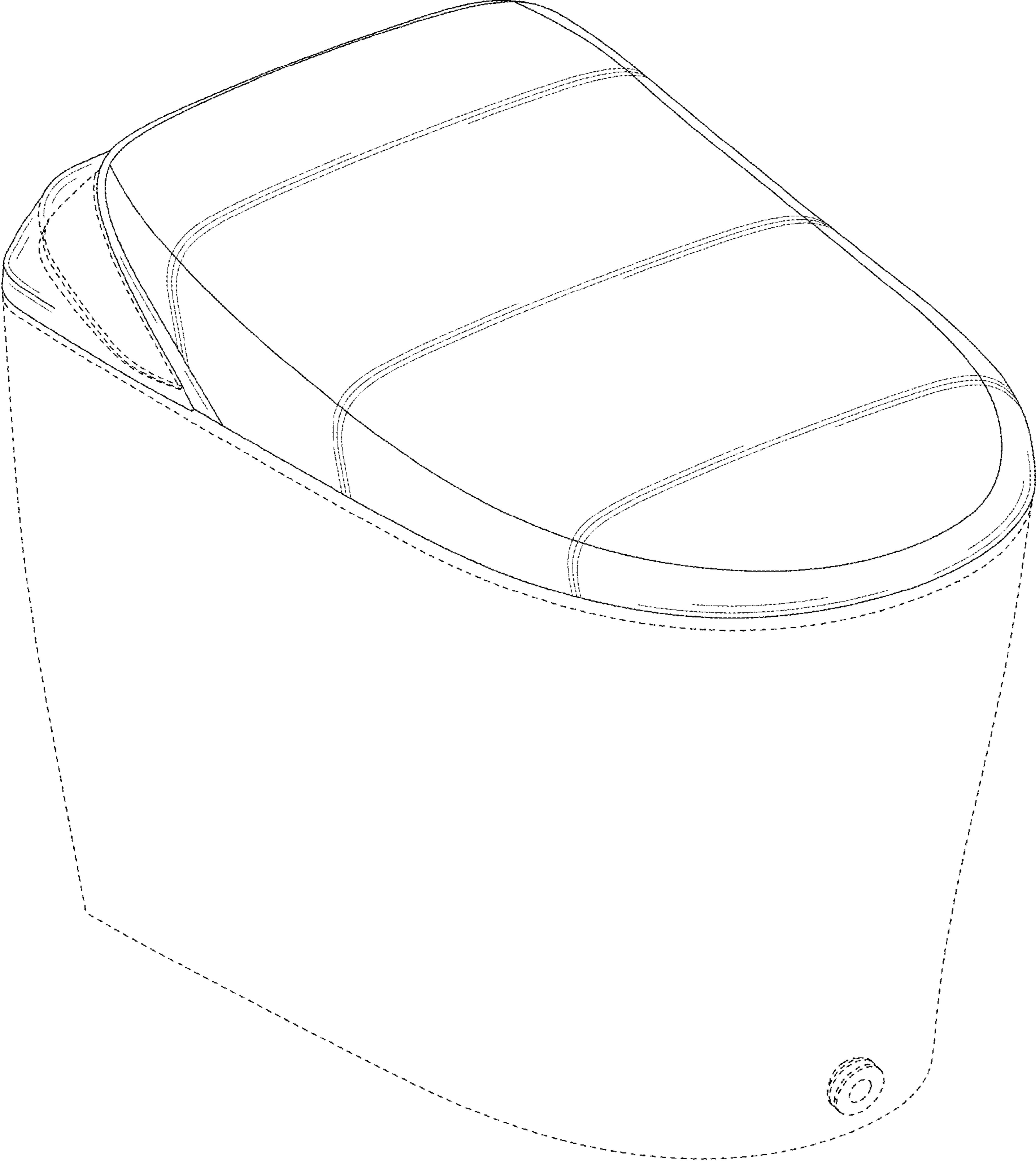


FIG. 1

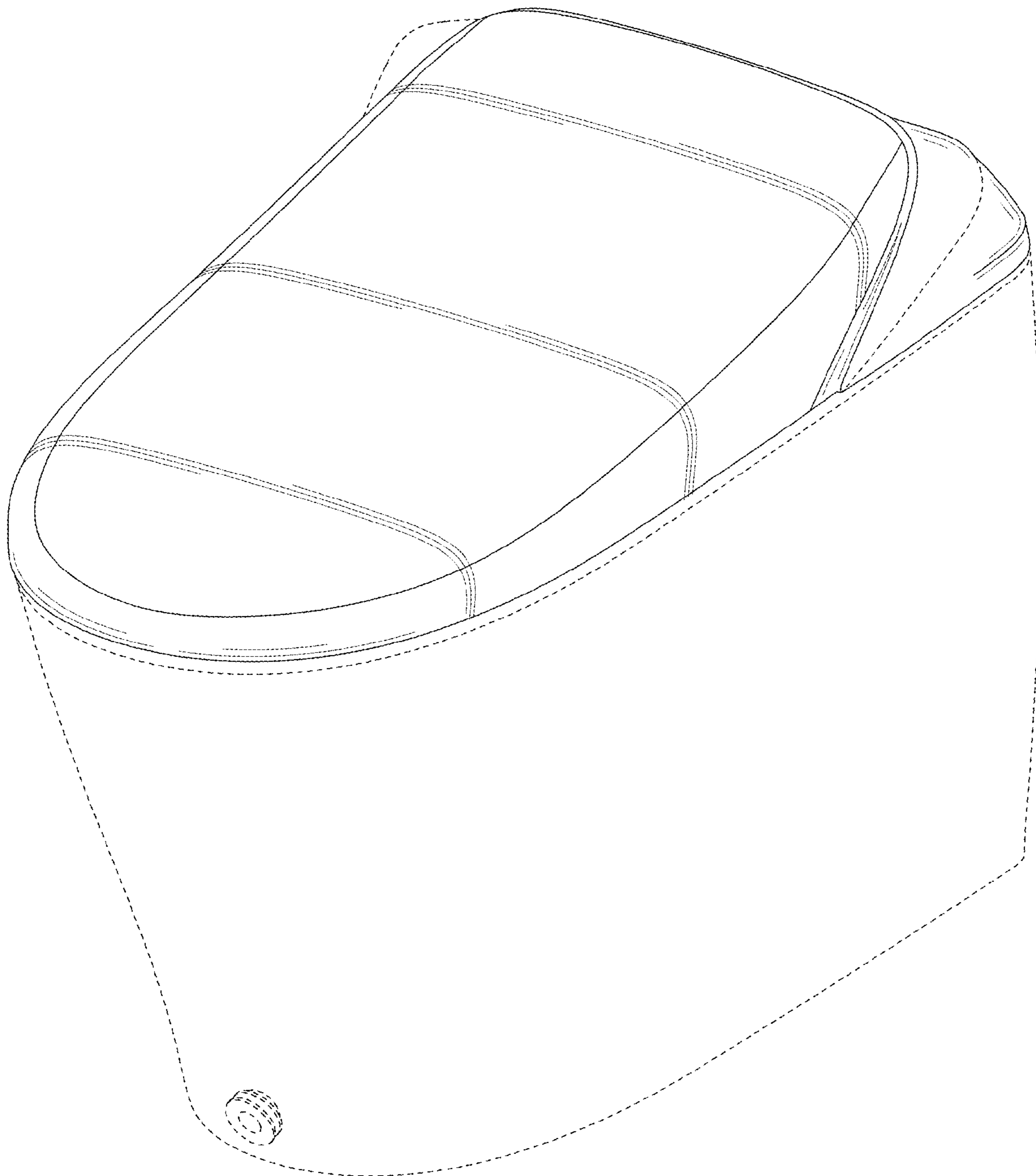


FIG. 2

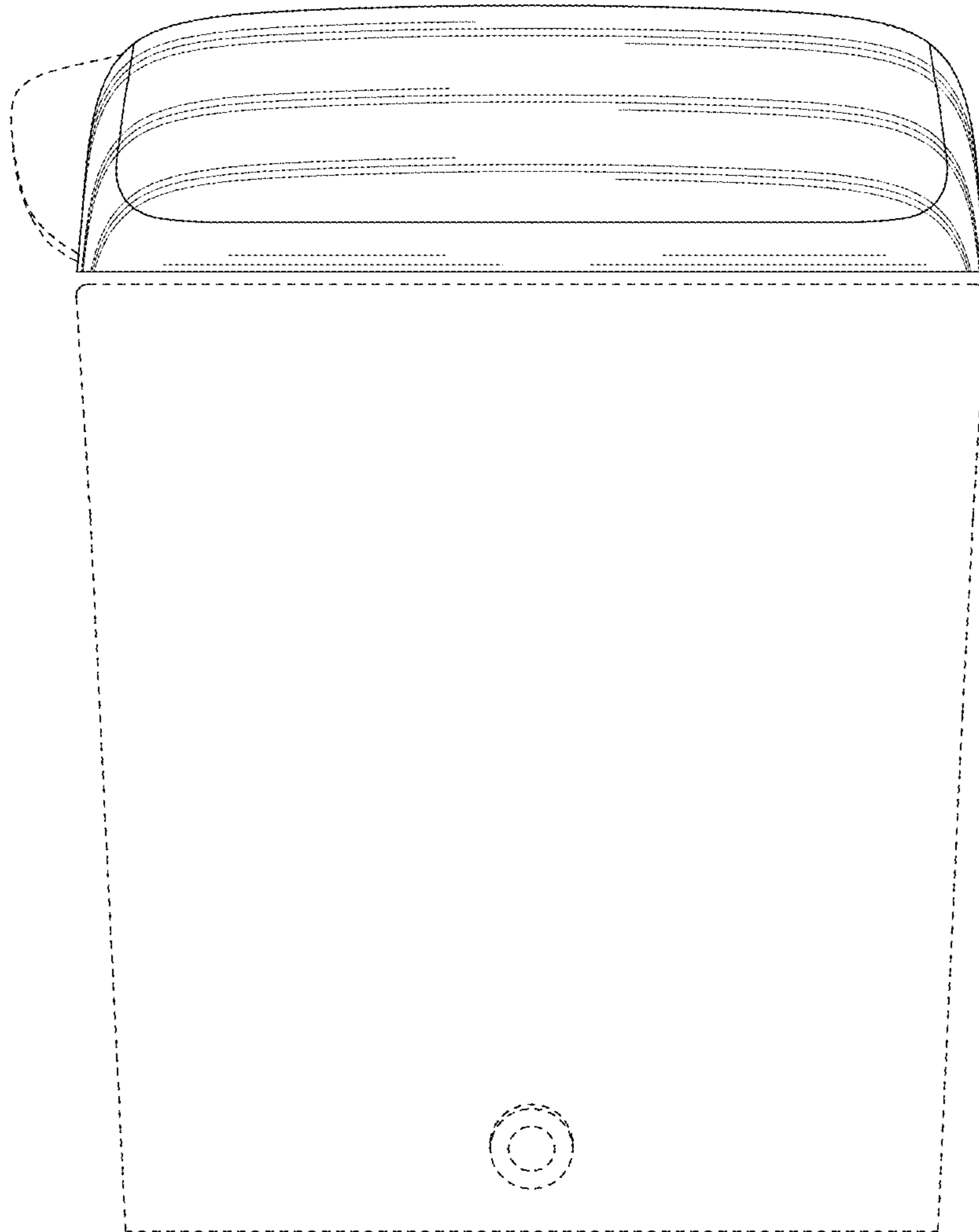


FIG. 3

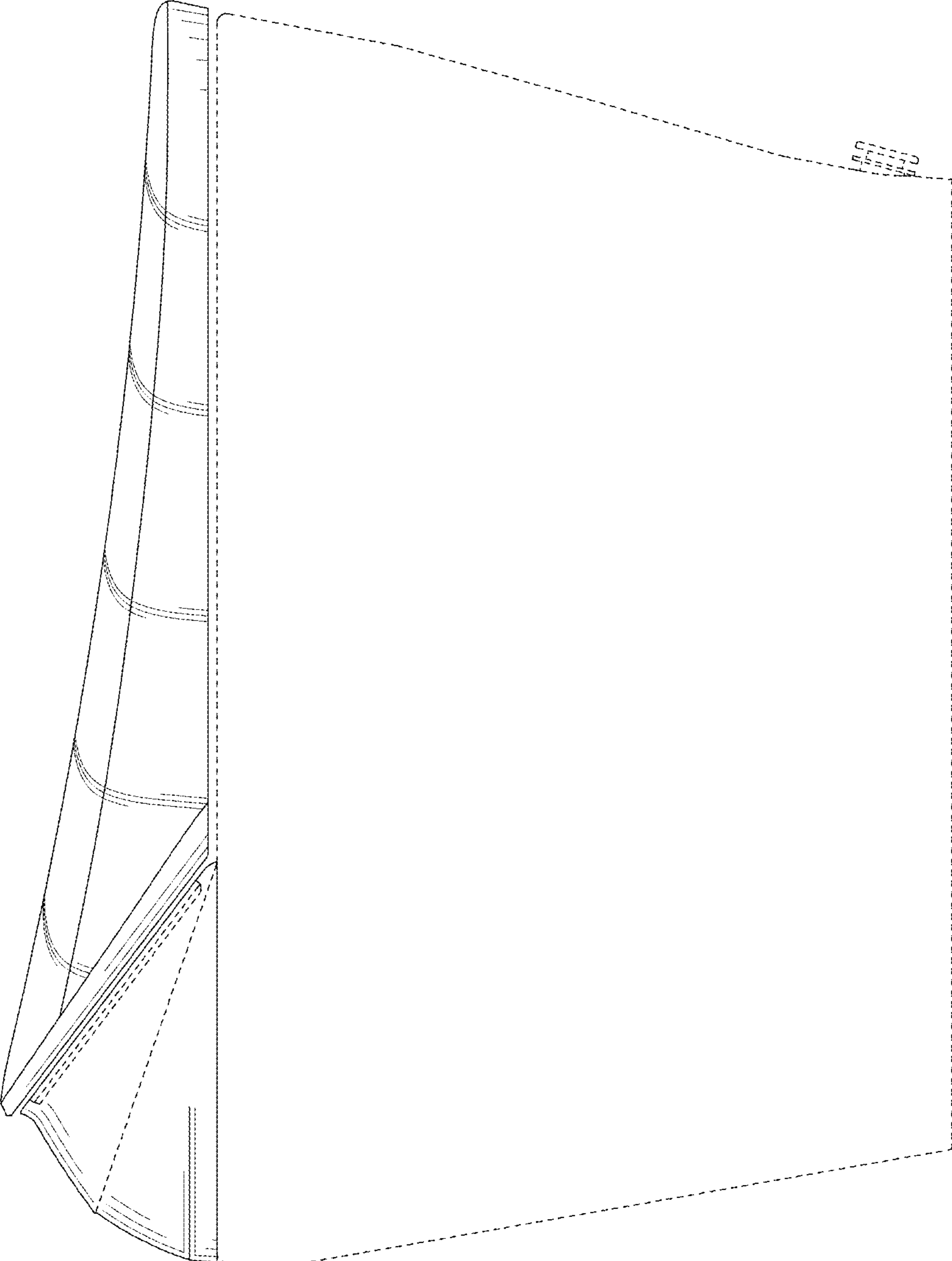


FIG. 4

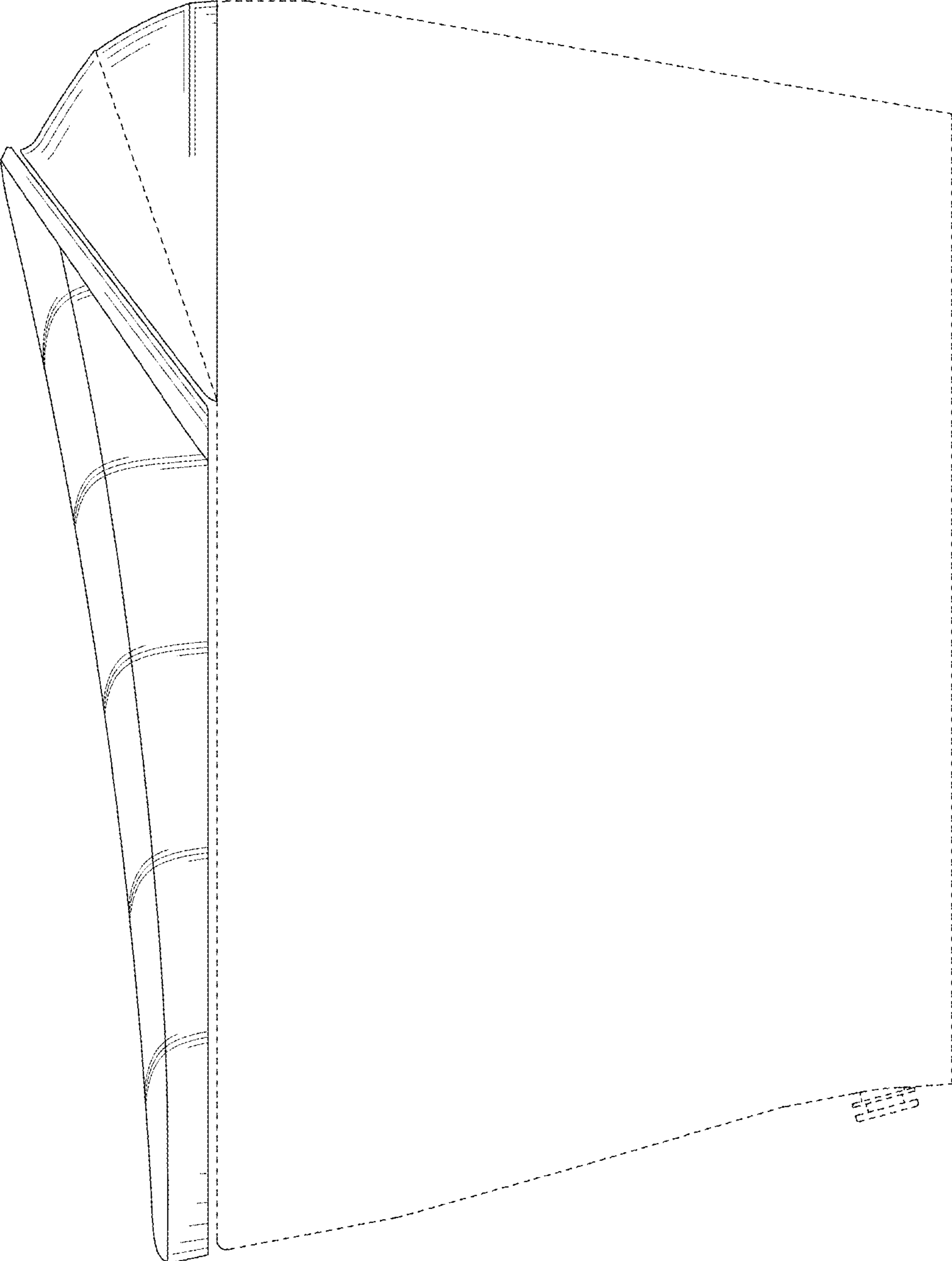


FIG. 5

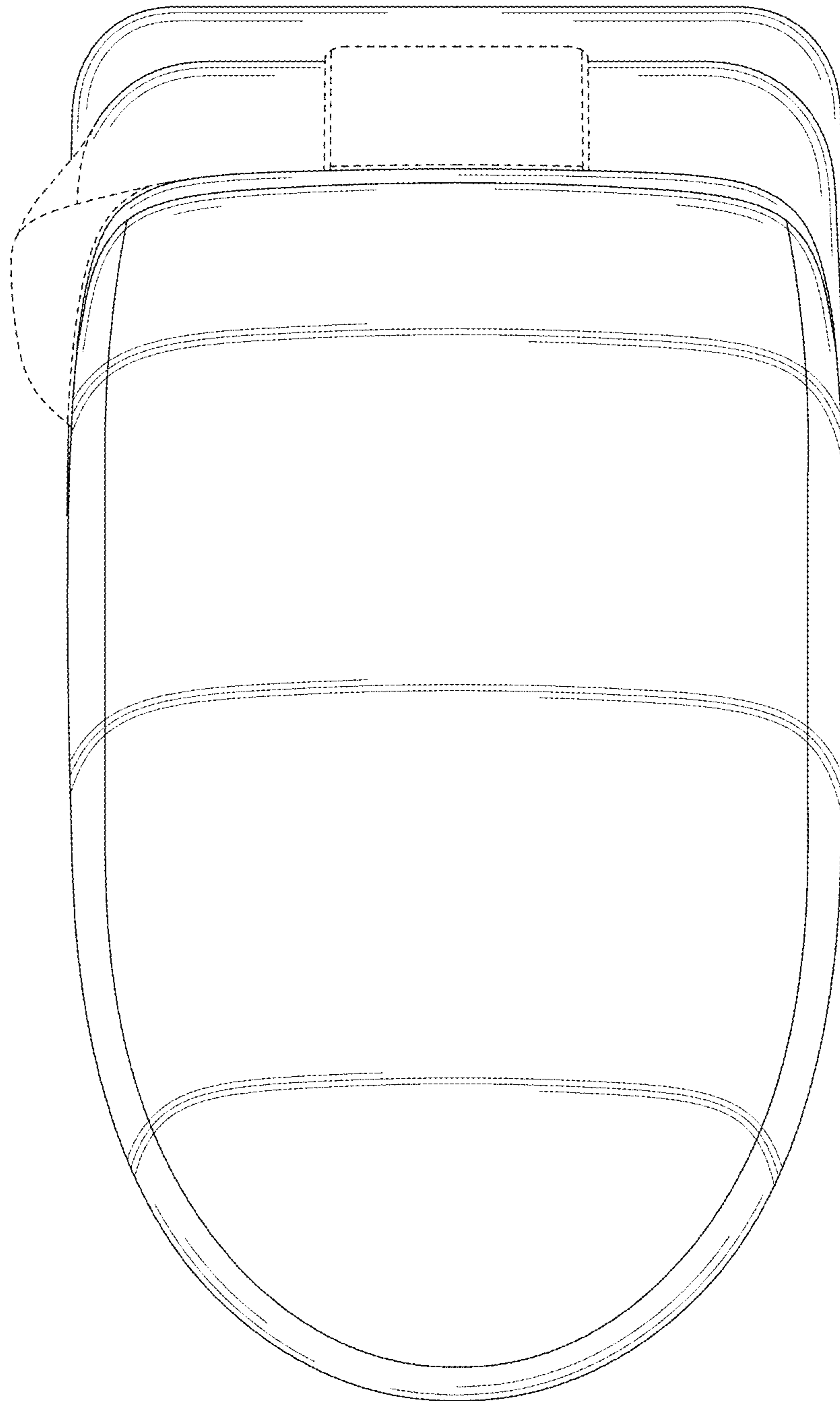


FIG. 6