



US00D952108S

(12) **United States Design Patent** (10) **Patent No.:** **US D952,108 S**
Bélanger (45) **Date of Patent:** **** May 17, 2022**

(54) **BATHTUB**

FOREIGN PATENT DOCUMENTS

(71) Applicant: **Wet Manufacturing Inc.**, Saint-Bruno (CA)

CN 305373399 * 1/2019
CN 305699505 * 9/2019

(72) Inventor: **Pierre Bélanger**, Saint-Bruno (CA)

OTHER PUBLICATIONS

(73) Assignee: **Wet Manufacturing Inc.**, Saint-Bruno (CA)

BLB 01 Lab collection, announced Date unavailable[online], [site visited Jul. 15, 2021]. Available from internet, URL:<https://wetstyle.ca/product/blb01-01/> (Year: 2021).*

(**) Term: **15 Years**

ARIEL Platinum PW1547032RW1 Whirlpool Bathtub, first available Nov. 7, 2017[online], [site visited Jul. 15, 2021]. Available from internet, URL:<https://www.amazon.com/ARIEL-Platinum-PW1547032RW1-Whirlpool-Bathtub/dp/B0777S6N72/> (Year: 2017).*

(21) Appl. No.: **29/718,718**

(22) Filed: **Dec. 27, 2019**

(51) **LOC (13) Cl.** **23-01**

* cited by examiner

(52) **U.S. Cl.**
USPC **D23/277**

Primary Examiner — Barbara Fox

(58) **Field of Classification Search**
USPC ... D23/277–279, 280.1, 280.2, 280.3, 280.4,
D23/304–307

Assistant Examiner — Jamaal Rasheed

CPC A47K 3/02; A47K 3/006; A47K 3/022
See application file for complete search history.

(74) *Attorney, Agent, or Firm* — Hodgson Russ LLP

(56) **References Cited**

(57) **CLAIM**

The ornamental design for a bathtub, as shown and described.

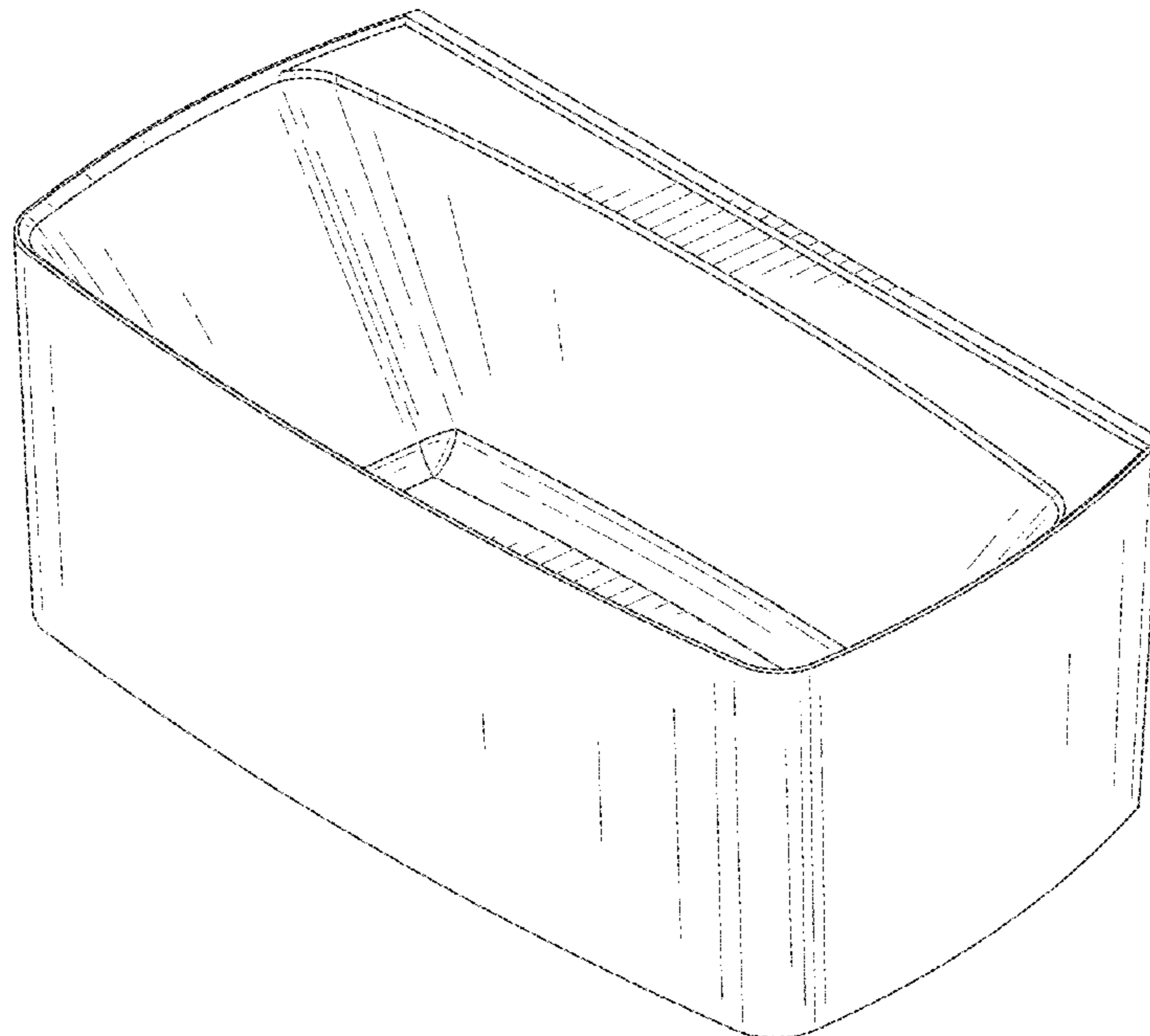
U.S. PATENT DOCUMENTS

DESCRIPTION

- D77,917 S * 3/1929 Selligman D23/277
- D98,051 S * 1/1936 Callahan D23/277
- 4,890,341 A * 1/1990 Forbes A47K 3/006
4/555
- D633,602 S * 3/2011 Miura D23/280.1
- D711,517 S * 8/2014 Newson D23/280.1
- D724,706 S * 3/2015 Meneghello D23/277
- D747,446 S * 1/2016 Yoshioka D23/277
- D826,384 S * 8/2018 Bowen D23/277
- D827,790 S * 9/2018 Bowen D23/277
- D834,157 S * 11/2018 L’Henaff D23/277
- D886,959 S * 6/2020 Bucher D23/277
- 2008/0072375 A1 * 3/2008 Stewart A61H 33/005
4/584

FIG. 1 is top plan view of a bathtub;
FIG. 2 is a left side elevation view thereof;
FIG. 3 is a front elevation view thereof;
FIG. 4 is a front-top-left side perspective view thereof;
FIG. 5 is a rear-top-right side perspective view thereof;
FIG. 6 is another front-top-left side perspective view thereof;
FIG. 7 is a top-left side perspective view thereof; and,
FIG. 8 is a rear-top-left side perspective view thereof.

1 Claim, 6 Drawing Sheets



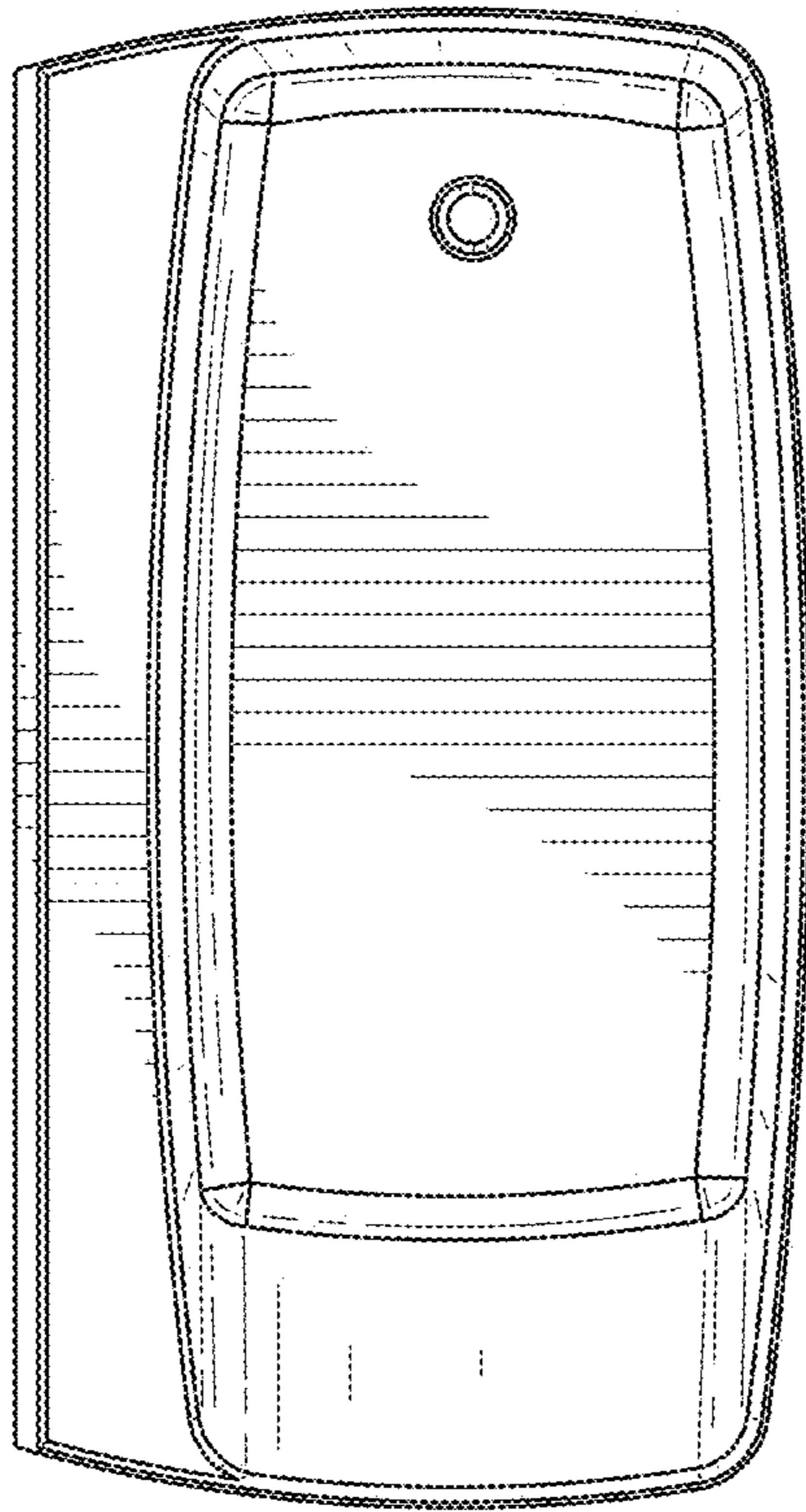


FIG. 1

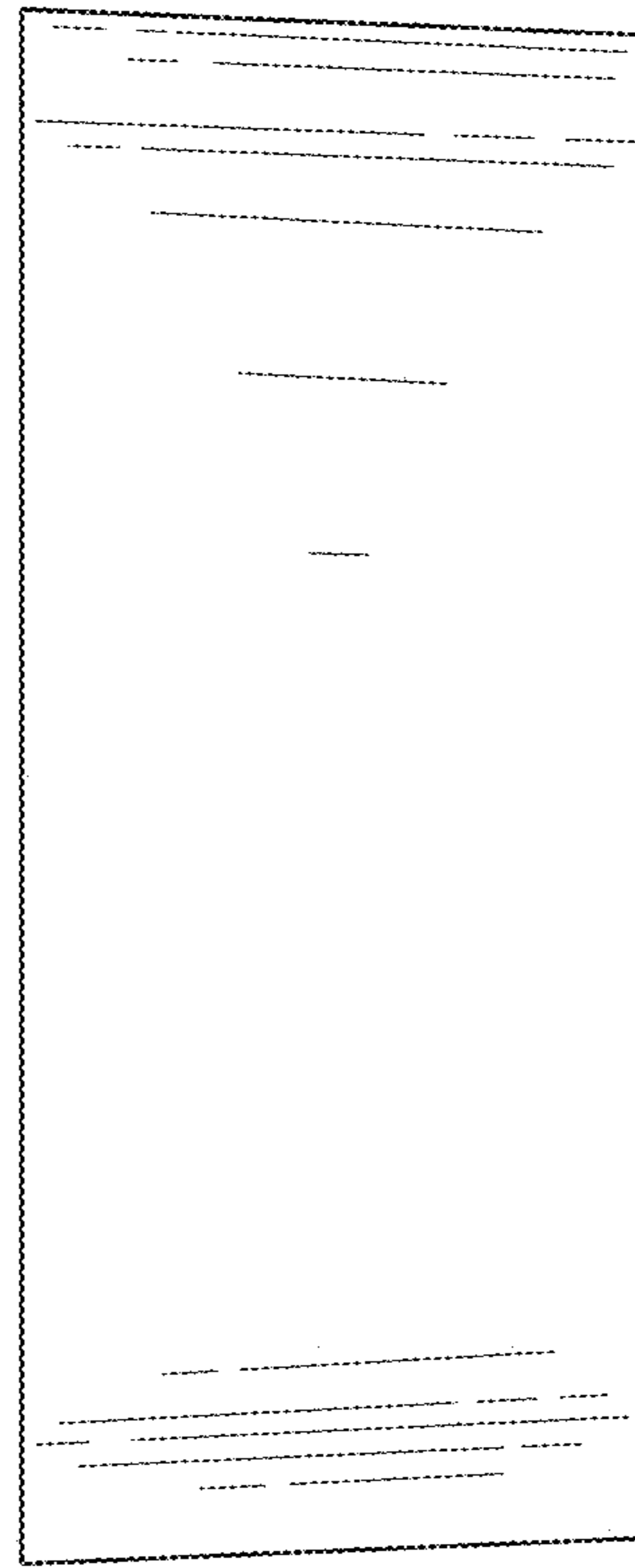


FIG. 2

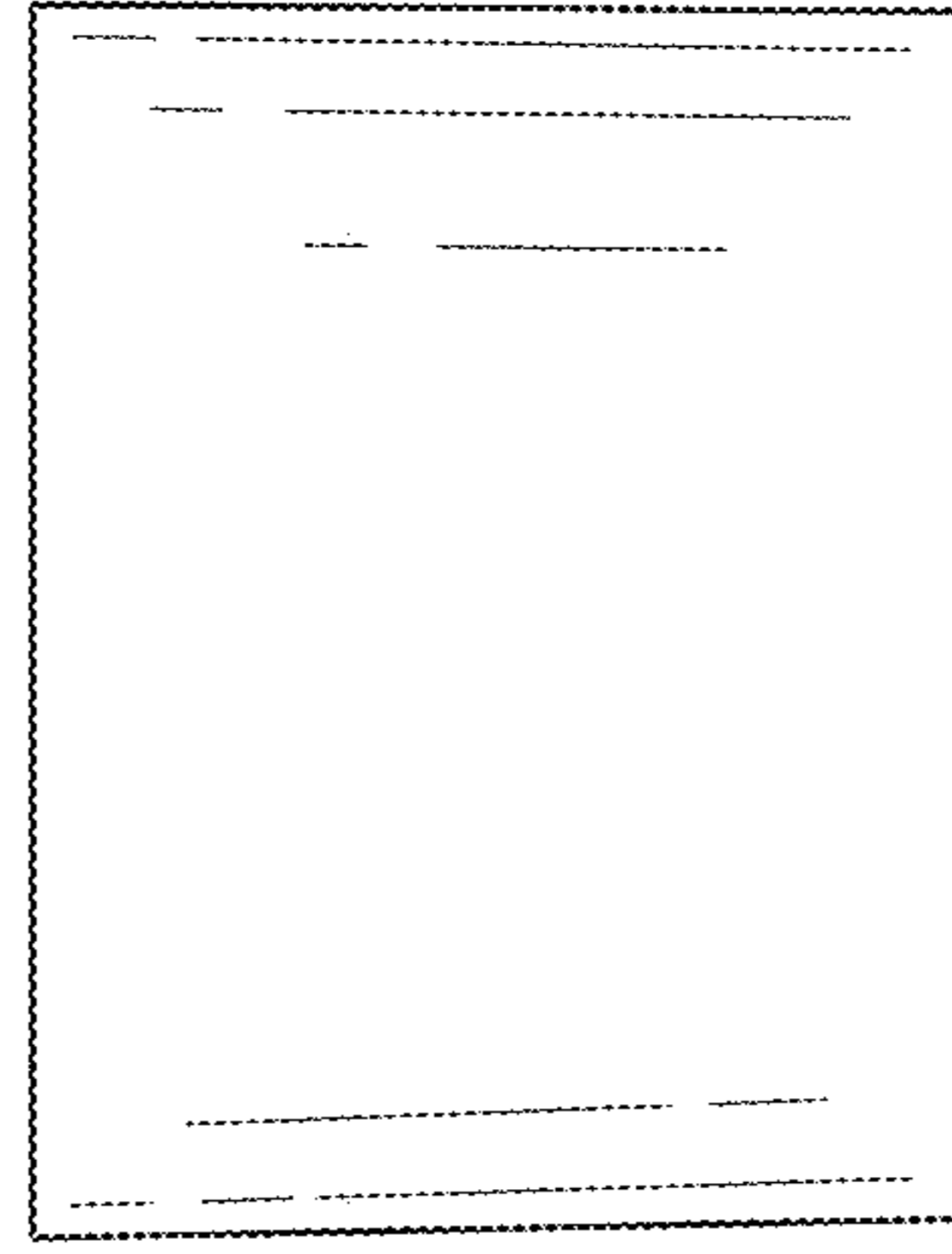


FIG. 3

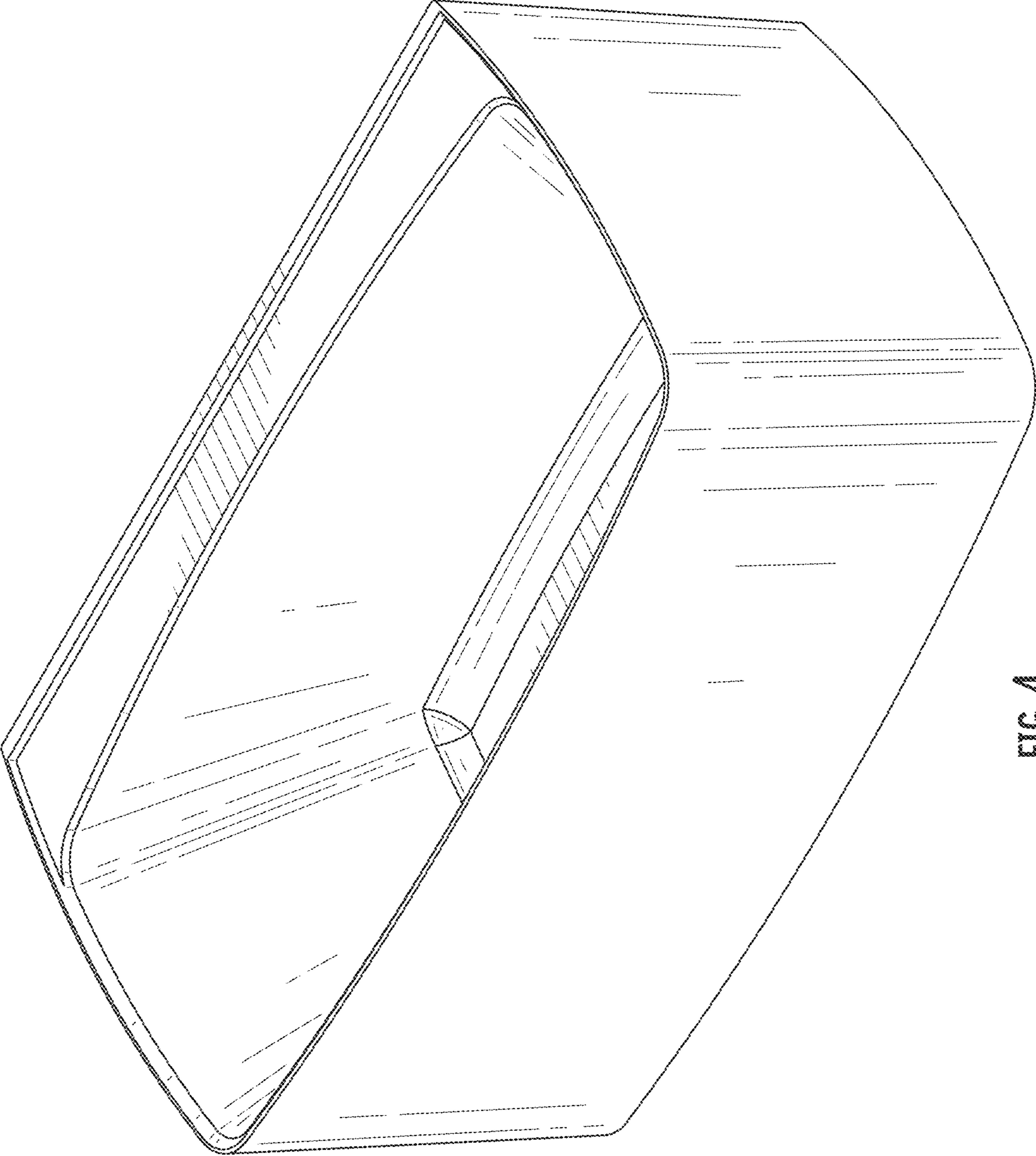


FIG. 4

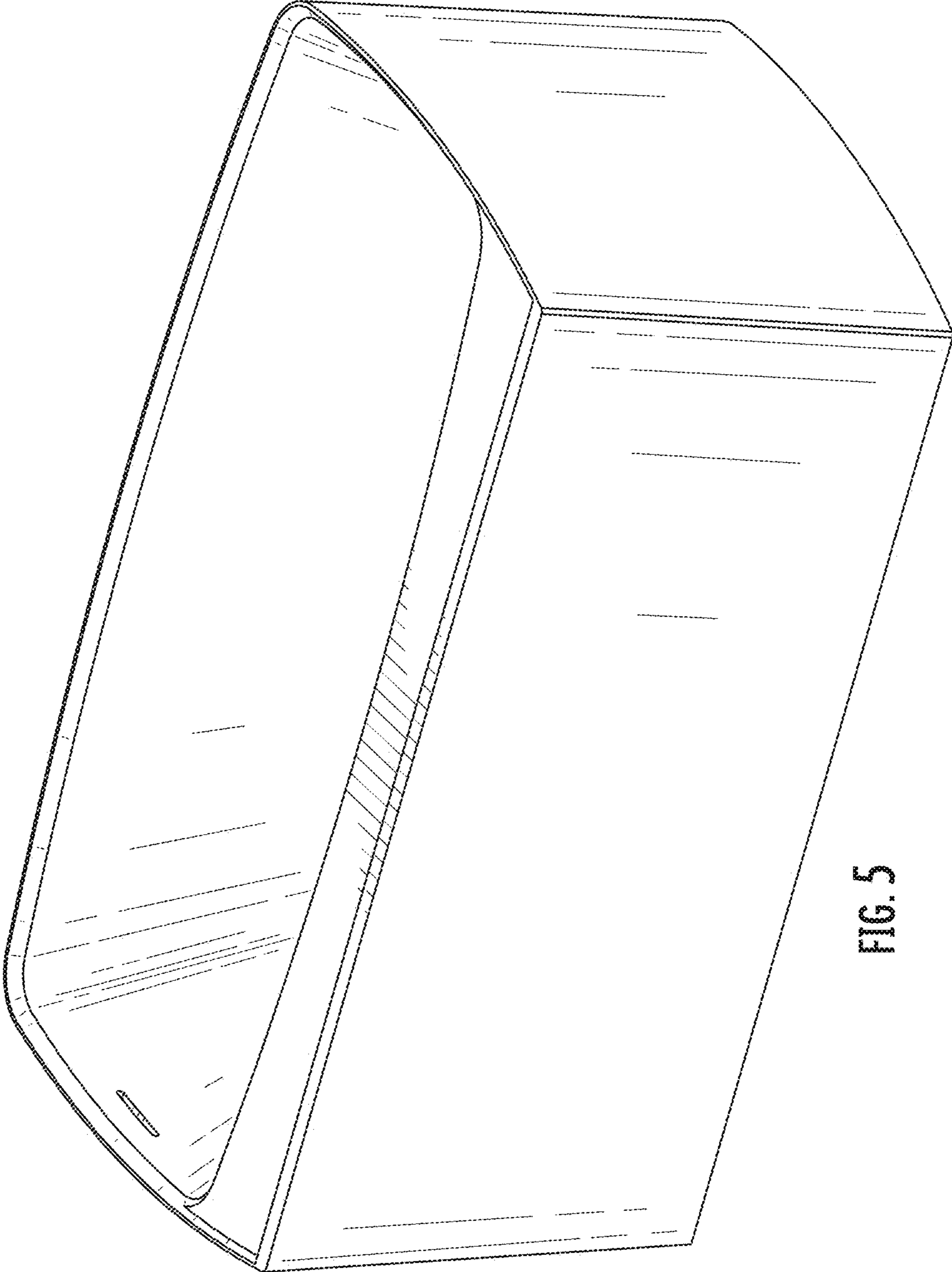


FIG. 5

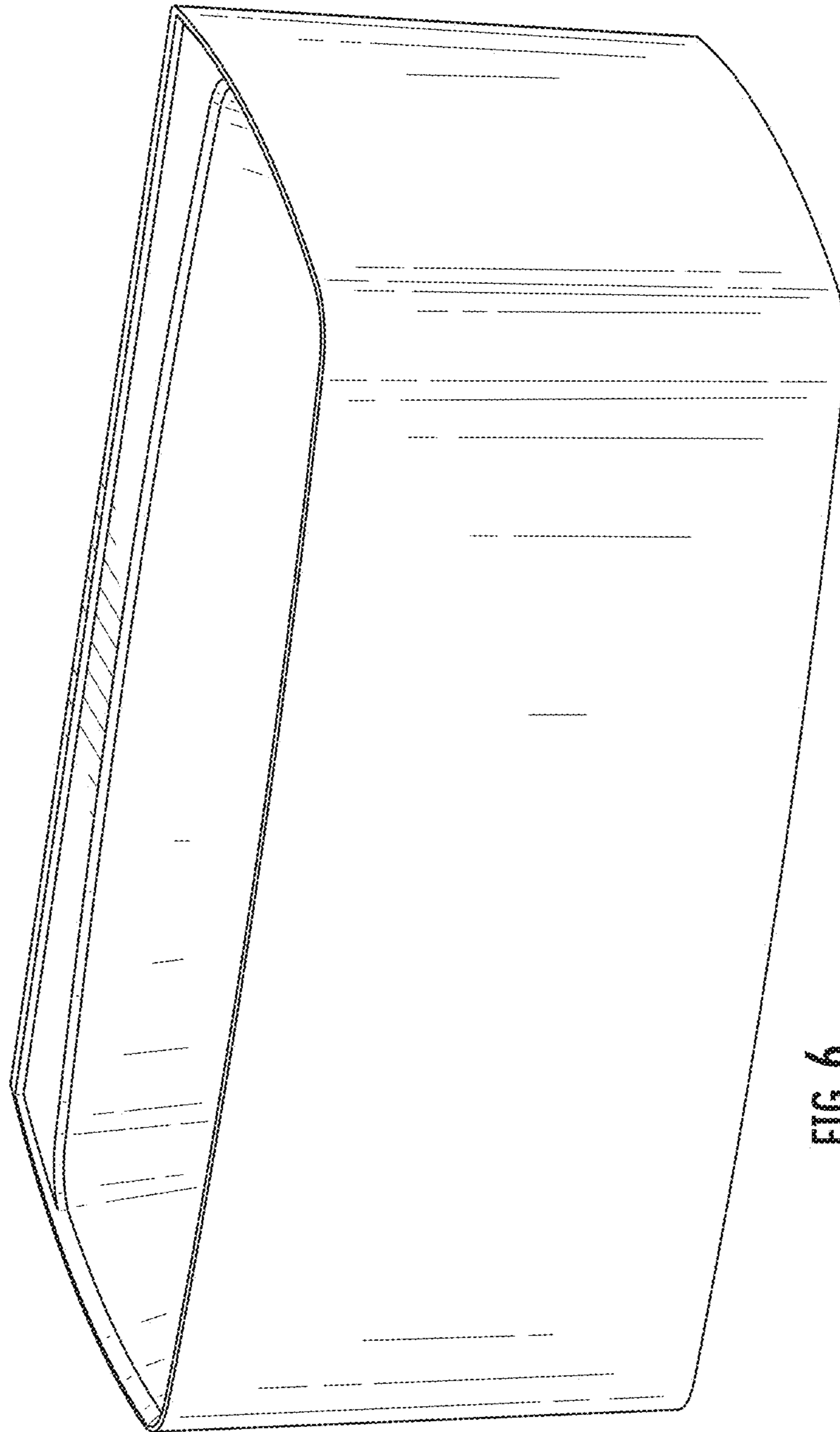


FIG. 6

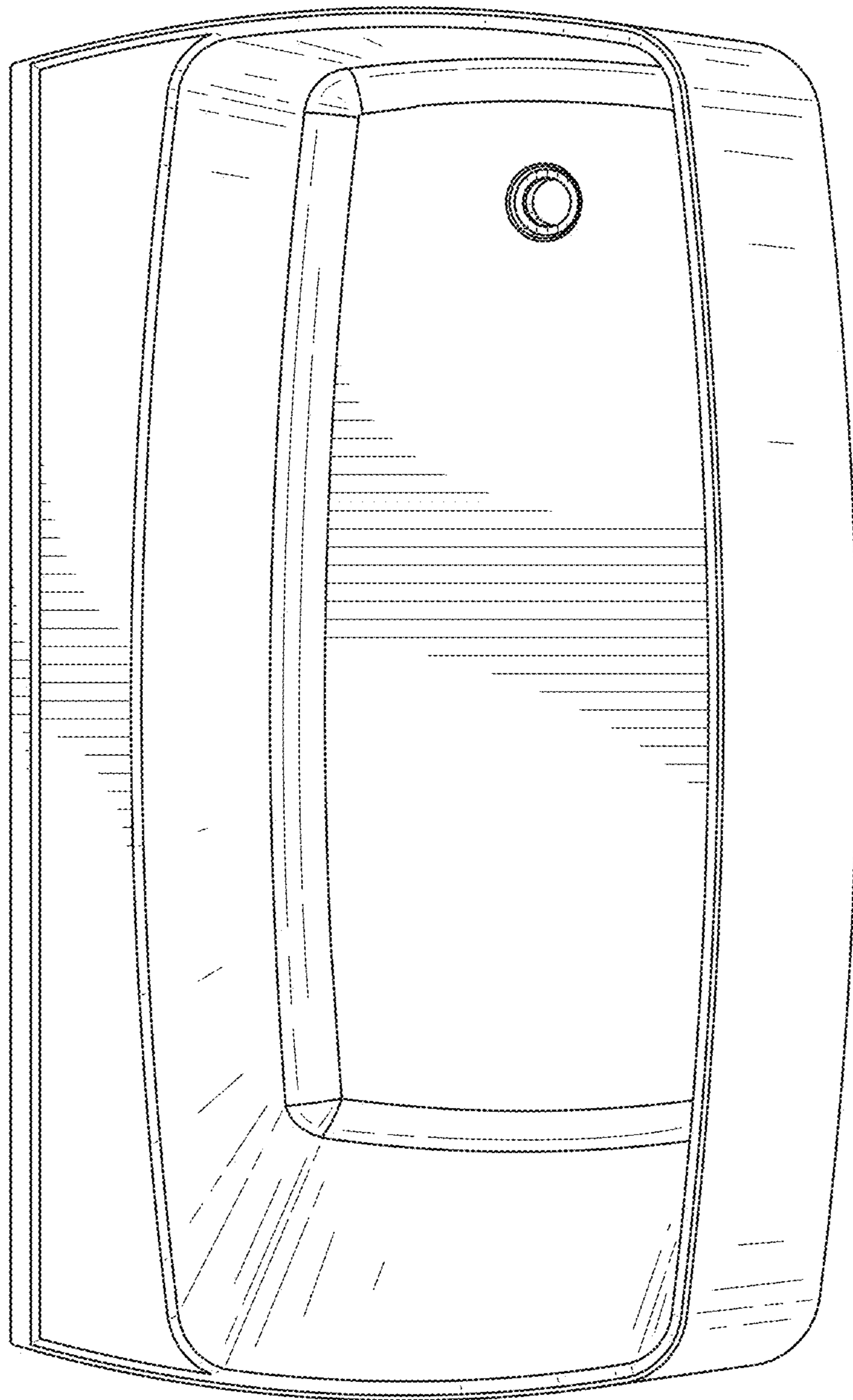


FIG. 7

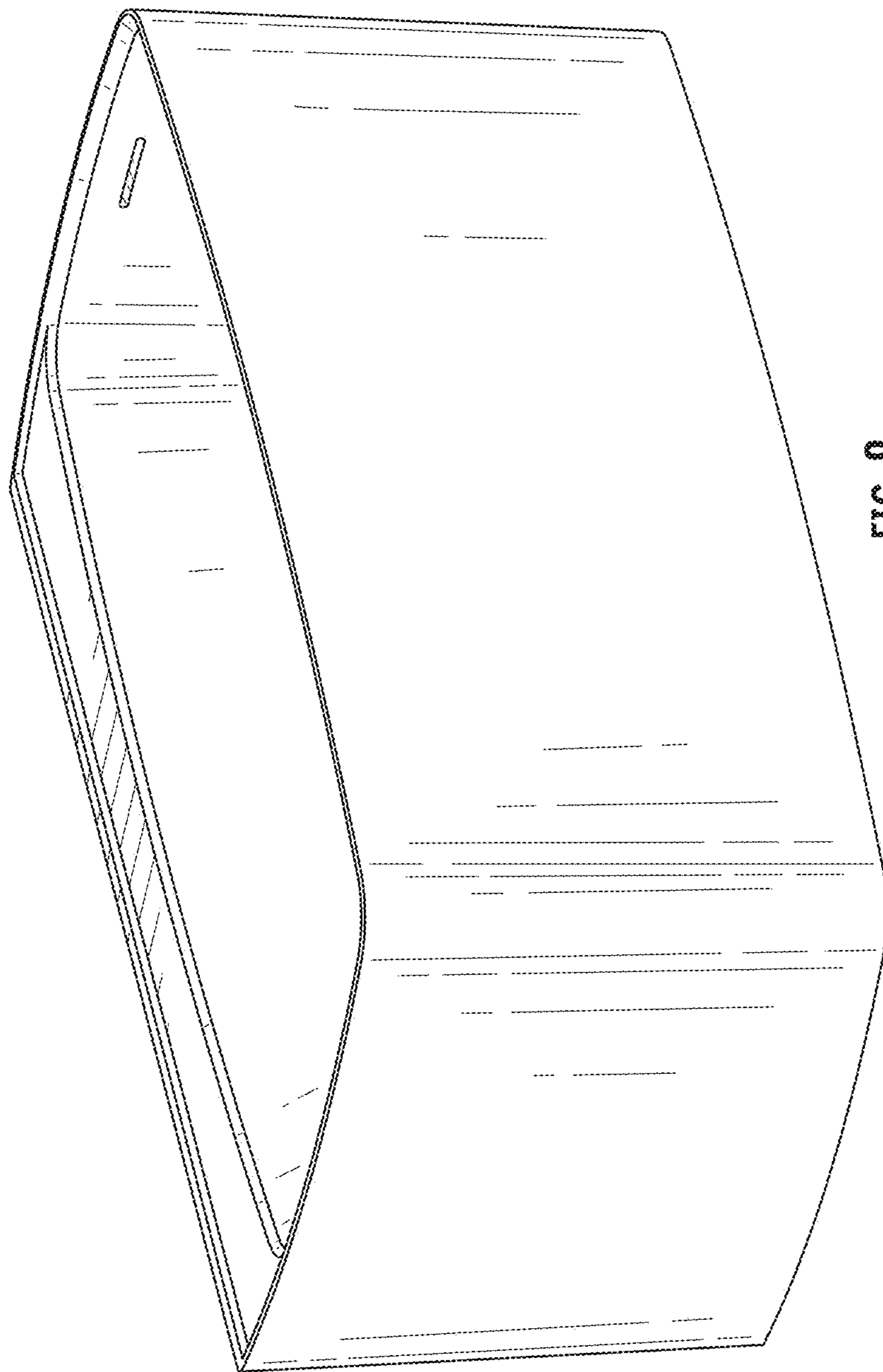


FIG. 8