



US00D952107S

(12) **United States Design Patent** (10) **Patent No.:** **US D952,107 S**  
**Chandler** (45) **Date of Patent:** **\*\* May 17, 2022**

- (54) **BACKFLOW PREVENTER**
- (71) Applicant: **Vista Water Group, LLC**, Ashland, OH (US)
- (72) Inventor: **James W. Chandler**, Ashland, OH (US)
- (73) Assignee: **VISTA WATER GROUP, LLC**, Ashland, OH (US)
- (\*\*) Term: **15 Years**
- (21) Appl. No.: **29/762,181**
- (22) Filed: **Dec. 15, 2020**
- (51) **LOC (13) Cl.** ..... **23-01**
- (52) **U.S. Cl.**  
USPC ..... **D23/259**; D23/262; D23/233; D24/176; D24/129
- (58) **Field of Classification Search**  
USPC ..... D23/213, 226, 245, 259, 262, 266, 206, D23/233, 263, 265, 234-237, 258; D24/108, 112-113, 129, 133, 135, D24/137-138, 141, 127, 176-177, 180, D24/182; 285/239, 305, 308, 316-318, 285/322, 83, 275, 277, 148.14, 148.21, 285/268, 148.2, 179, 53, 148.19, 148.22, 285/235; 137/614.04, 149.6, 515, 798; D8/14.1, 45, 382; D13/154-156  
CPC ..... F16L 11/00; F16L 37/0985; F16L 33/30; F16L 55/1157; F16L 37/32; F16K 27/0209; F16K 31/12  
See application file for complete search history.

- D600,211 S \* 9/2009 Strickland, Jr. .... D13/133
- D600,212 S \* 9/2009 Strickland, Jr. .... D13/133
- 9,777,850 B1 \* 10/2017 Handley ..... F16K 27/0209
- D871,544 S \* 12/2019 Sisk ..... D23/237
- D872,232 S \* 1/2020 Sisk ..... D23/237
- D872,233 S \* 1/2020 Sisk ..... D23/237
- D872,843 S \* 1/2020 Stoffa, Sr. .... D23/262

(Continued)

**OTHER PUBLICATIONS**

VistaCheck Dual Check Backflow Preventers; Vista Water Group; Website Copyright Date 2021; Visited Online Dec. 14, 2021; <https://vistawatergroup.com/vistacheck-dual-check-backflow-preventers> (Year: 2021).\*

(Continued)

*Primary Examiner* — Amy C Wierenga

(74) *Attorney, Agent, or Firm* — Ralph E. Jocke; Walker & Jocke

(57) **CLAIM**

The ornamental design for a backflow preventer, as shown and described.

**DESCRIPTION**

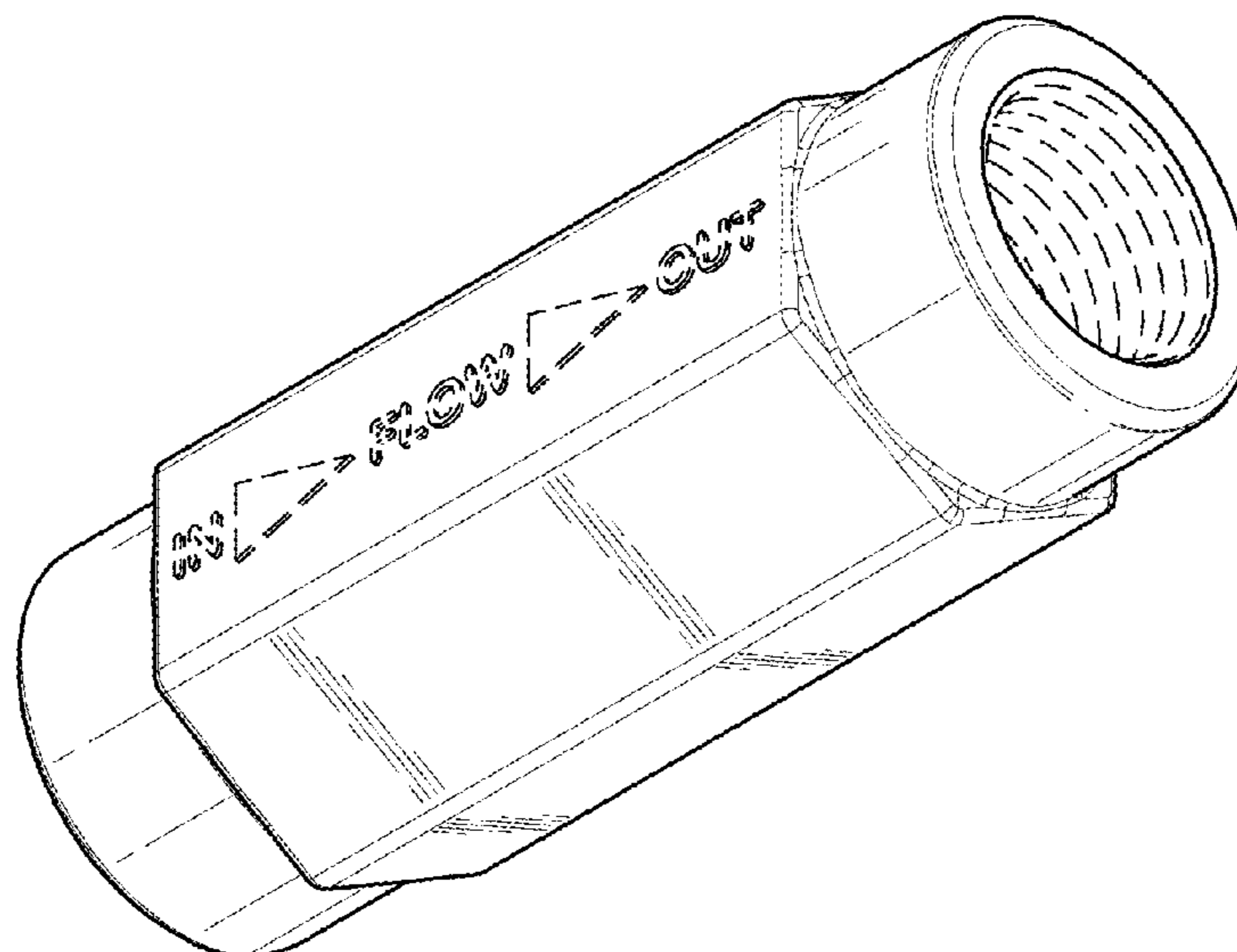
FIG. 1 is a front left bottom perspective view of the backflow preventer showing my new design;  
FIG. 2 is a front top left perspective view thereof;  
FIG. 3 is a front right bottom perspective view thereof;  
FIG. 4 is a front top right perspective view thereof;  
FIG. 5 is a left side view thereof;  
FIG. 6 is a top view thereof;  
FIG. 7 is a right side view thereof;  
FIG. 8 is a bottom view thereof;  
FIG. 9 is a back view thereof; and,  
FIG. 10 is a front view thereof.

The broken lines shown in the drawings represent portions of the backflow preventer that form no part of the claimed design.

**1 Claim, 5 Drawing Sheets**

(56) **References Cited**  
U.S. PATENT DOCUMENTS

- 3,936,078 A \* 2/1976 Wallyn ..... F16L 27/107 285/49
- D260,280 S \* 8/1981 Campbell ..... D23/237
- D301,722 S \* 6/1989 Sachs ..... D20/22



(56)

**References Cited**

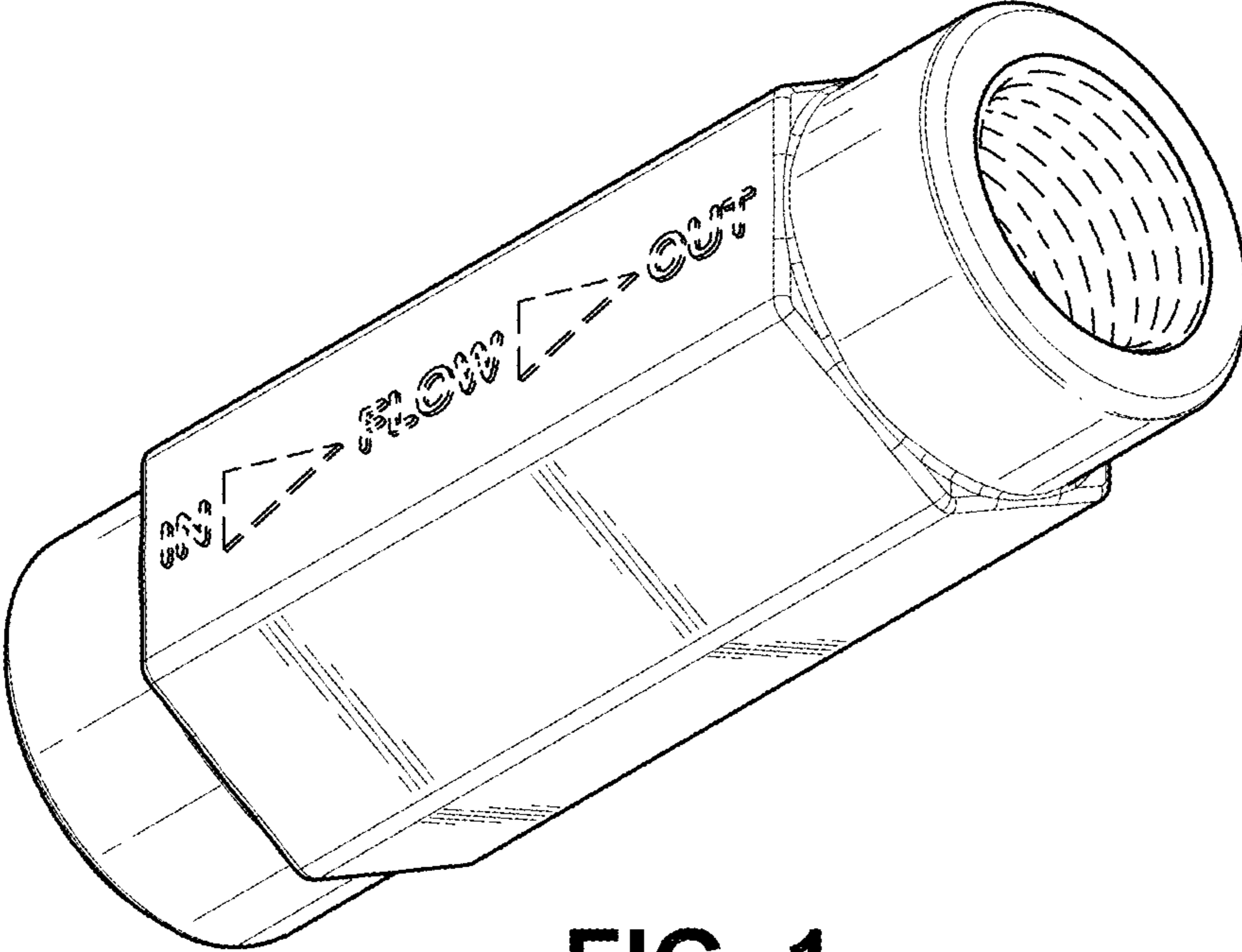
U.S. PATENT DOCUMENTS

2019/0242777 A1\* 8/2019 Young ..... F16K 17/30  
2019/0293330 A1\* 9/2019 Danielson ..... F25B 45/00

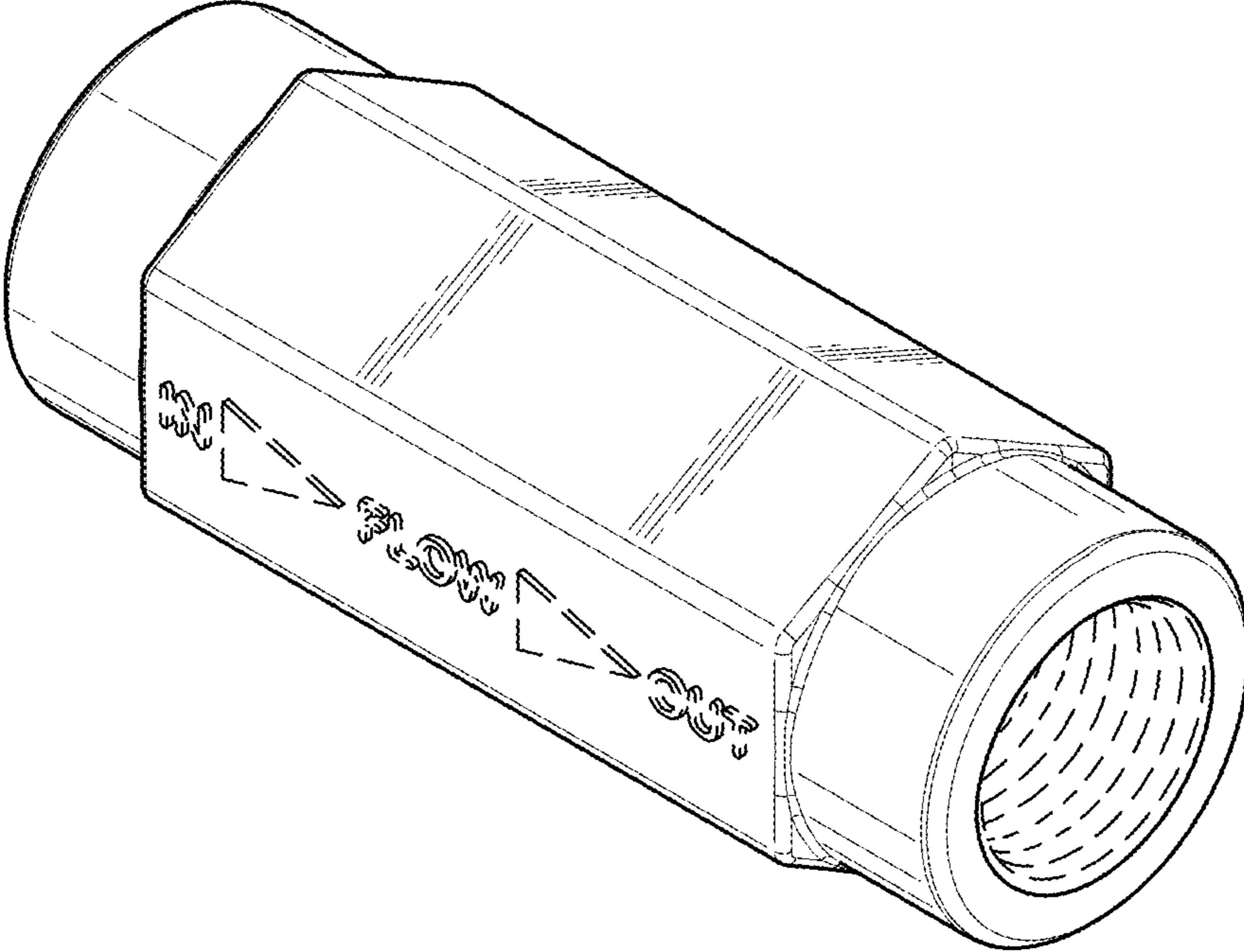
OTHER PUBLICATIONS

BFV-SE Saliva Ejector Backflow Valve; Henry Schein Dental  
Website Copyright Date 2021; Visited Online Dec. 14, 2021;  
[https://www.henryschein.com/us-en/dental/p/evacuation-products/  
evacuation-accessories/backflow-valve-f-saliva/7050049](https://www.henryschein.com/us-en/dental/p/evacuation-products/evacuation-accessories/backflow-valve-f-saliva/7050049) (Year: 2021).\*

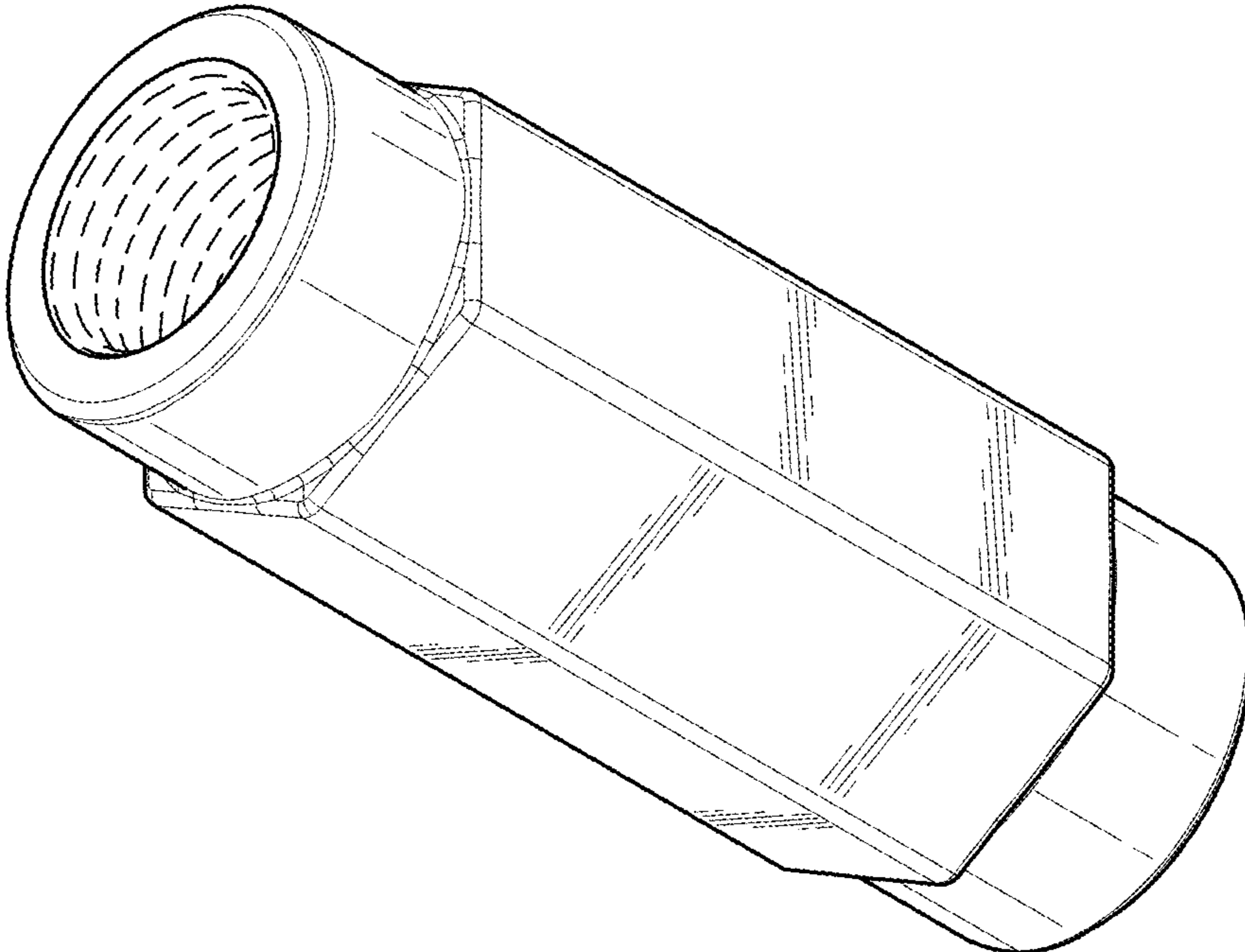
\* cited by examiner



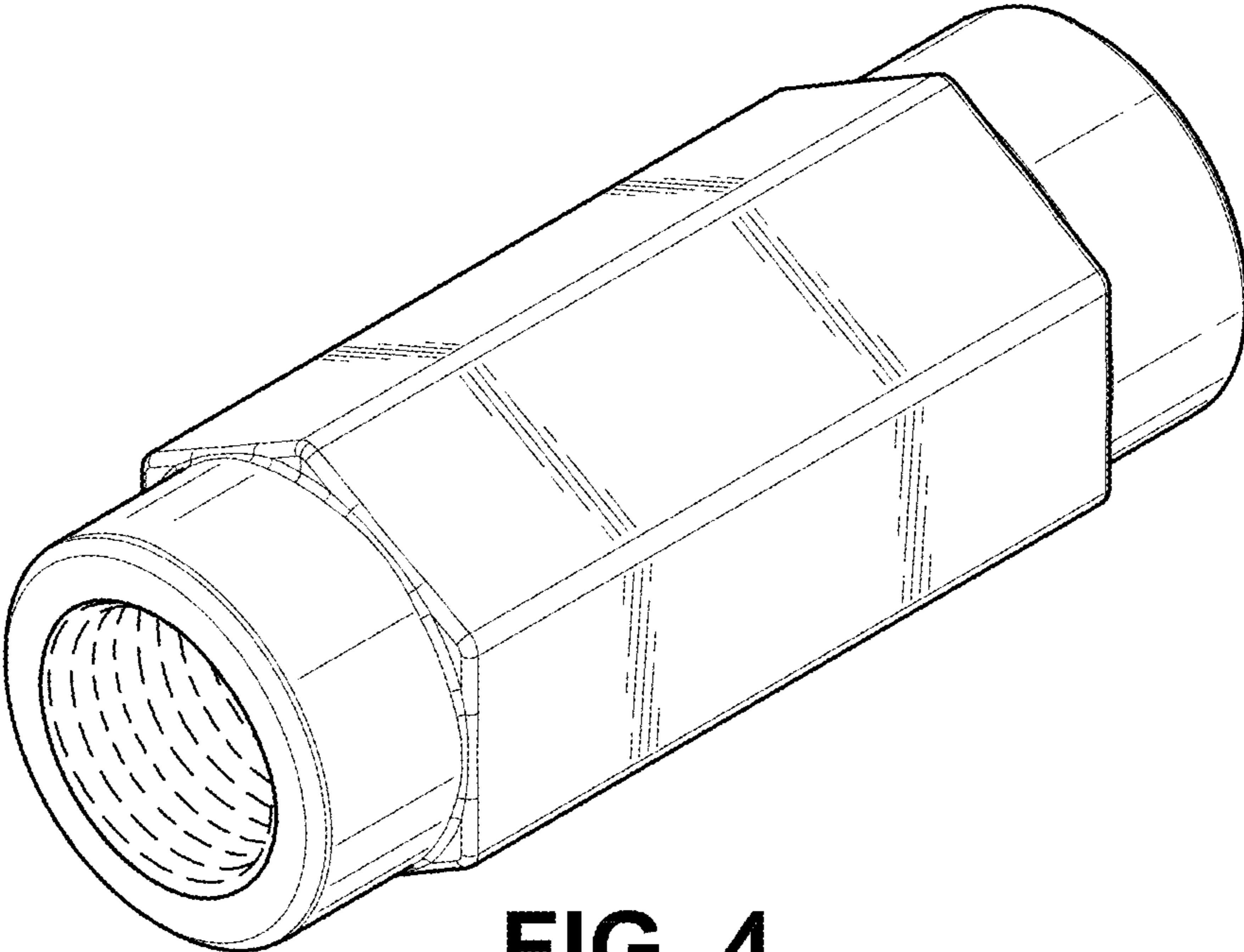
**FIG. 1**



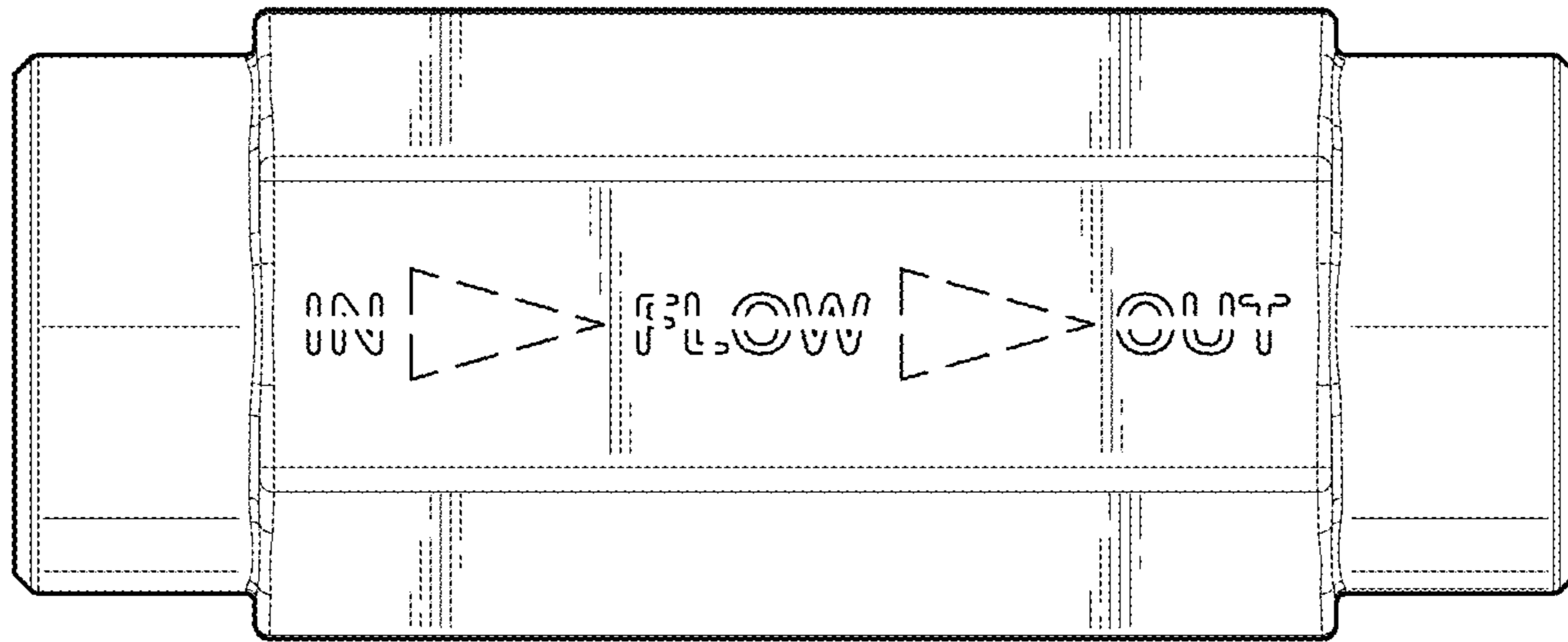
**FIG. 2**



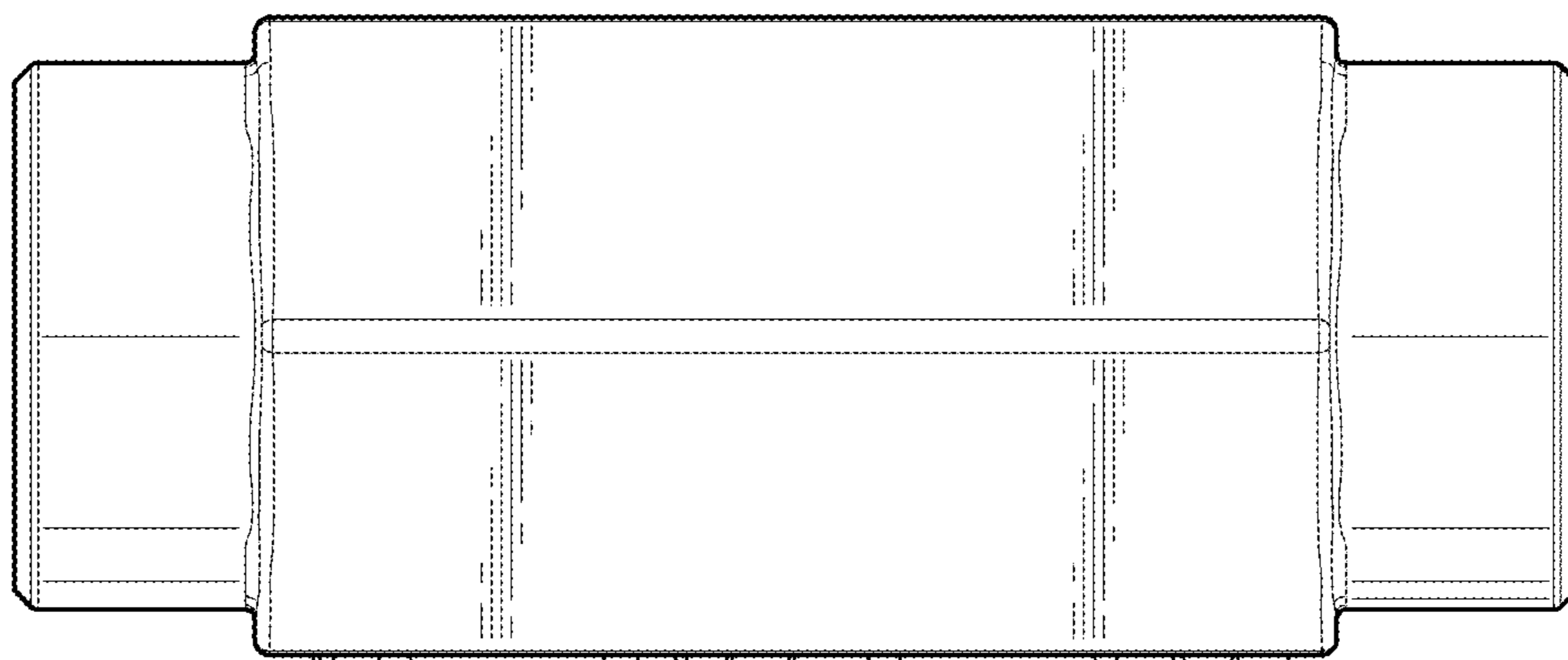
**FIG. 3**



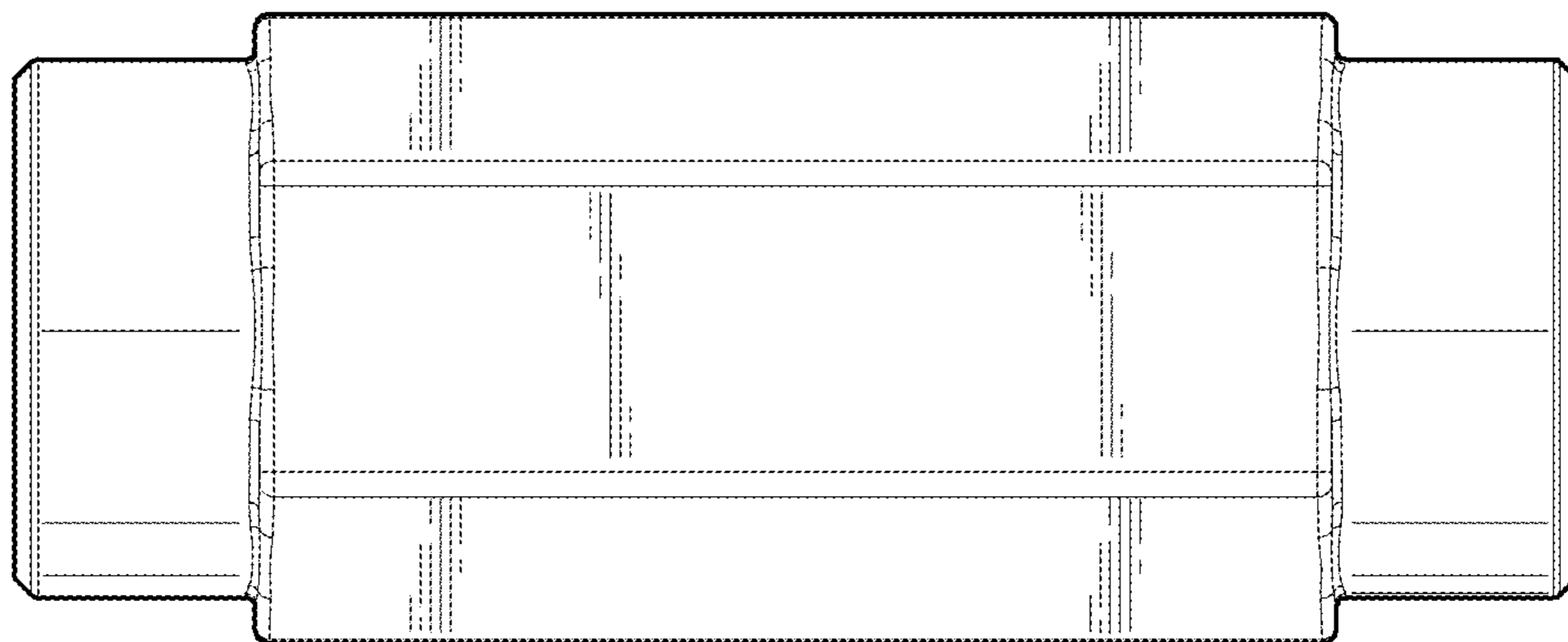
**FIG. 4**



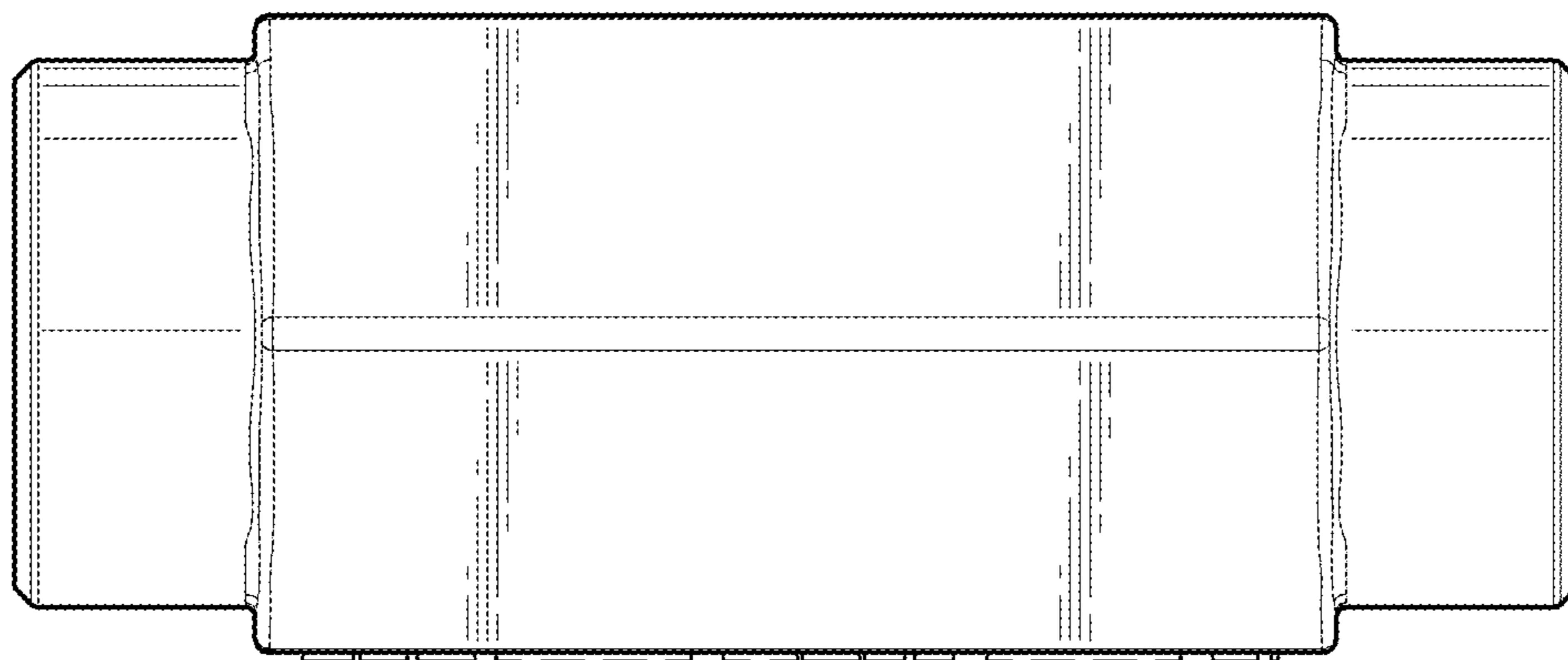
**FIG. 5**



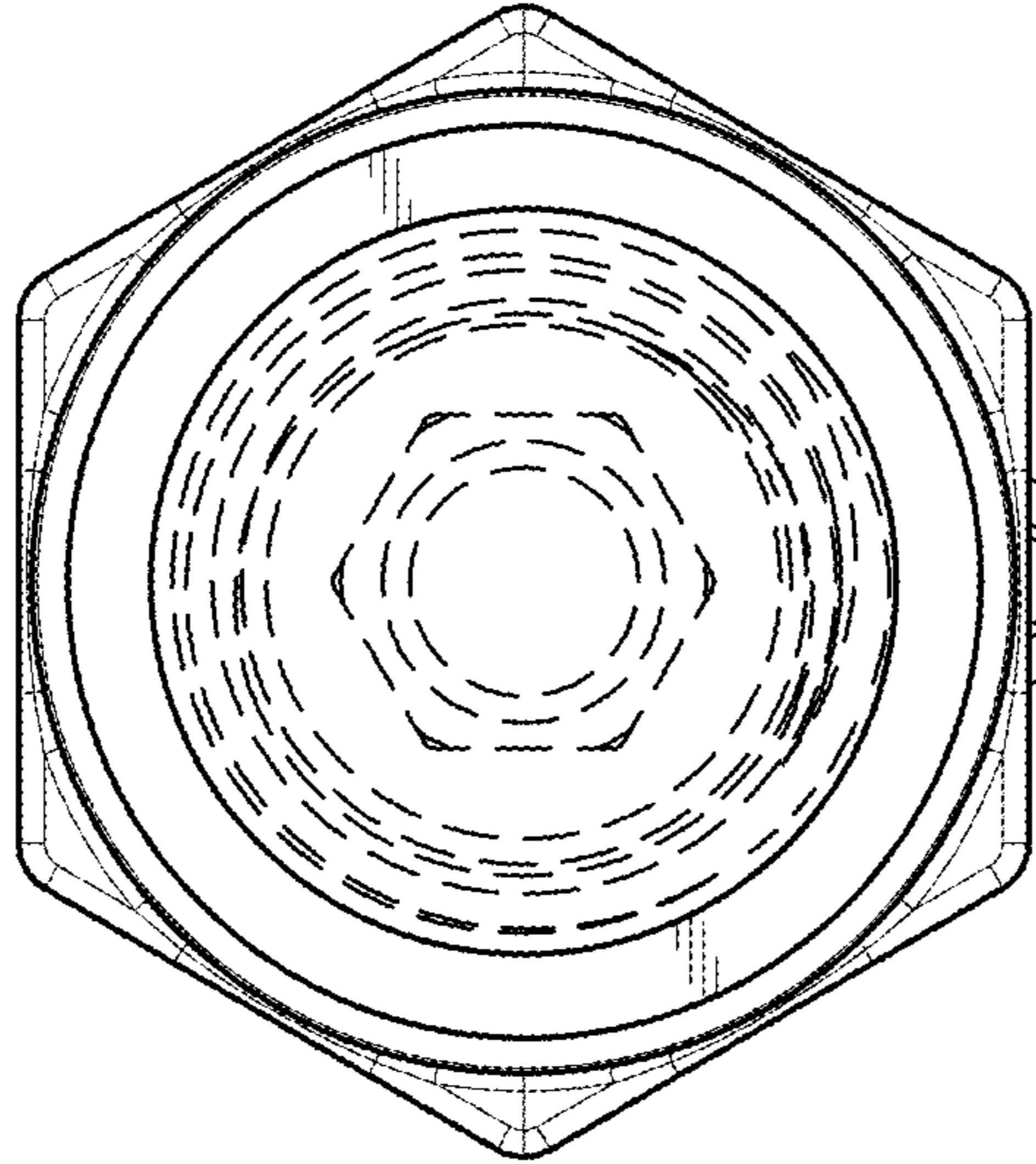
**FIG. 6**



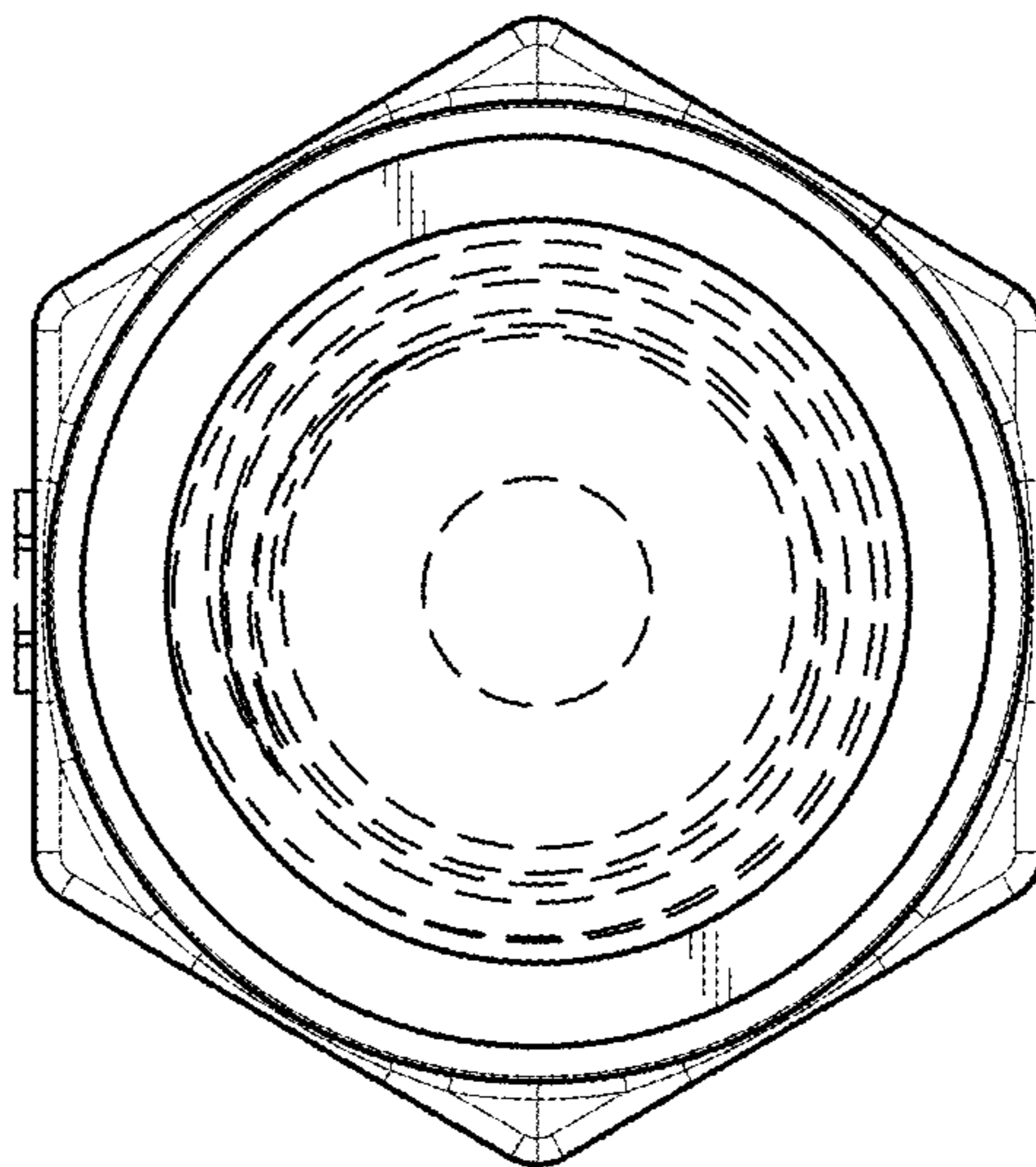
**FIG. 7**



**FIG. 8**



**FIG. 9**



**FIG. 10**