



US00D952106S

(12) **United States Design Patent** (10) **Patent No.:** **US D952,106 S**
Park (45) **Date of Patent:** **** *May 17, 2022**

(54) **FAUCET SPOUT**
(71) Applicant: **DELTA FAUCET COMPANY,**
Indianapolis, IN (US)
(72) Inventor: **Maris Park,** McCordsville, IN (US)
(73) Assignee: **DELTA FAUCET COMPANY,**
Indianapolis, IN (US)
(*) Notice: This patent is subject to a terminal disclaimer.
(**) Term: **15 Years**
(21) Appl. No.: **29/719,530**
(22) Filed: **Jan. 6, 2020**
(51) **LOC (13) Cl.** **23-01**
(52) **U.S. Cl.**
USPC **D23/255**
(58) **Field of Classification Search**
USPC D23/257, 249, 254, 259, 255, 233, 234,
D23/235, 236, 237, 238, 239, 240, 241,
D23/242, 243, 244, 245, 246, 247, 248,
D23/250, 251, 252, 253, 256
CPC E03C 1/01; E03C 1/0409; E03C 1/025;
E03C 1/0408; Y10T 137/5339; Y10T
137/6014; Y10T 137/6021
See application file for complete search history.

D613,822 S * 4/2010 Hanna D23/242
D619,221 S * 7/2010 Kulig D23/242
D639,394 S * 6/2011 Citterio D23/238
D652,899 S * 1/2012 Citterio D23/255
D767,730 S * 9/2016 Eads D23/252
D828,510 S * 9/2018 Zeisel D23/238
D831,166 S * 10/2018 Garuti D23/255

FOREIGN PATENT DOCUMENTS

CN 201730238878 * 6/2017

OTHER PUBLICATIONS

Brizo, Litze Collection Single Handle Bar Faucet, posted Feb. 4, 2017, [online], [visited Jun. 2, 2021]. Internet, <URL: https://media.brizo.com/SpecSheet/BSP-K-61043LF_A.pdf> (Year: 2017).*

(Continued)

Primary Examiner — Samantha Wood
(74) *Attorney, Agent, or Firm* — Nirav D. Parikh; Edgar A. Zarins

(57) **CLAIM**

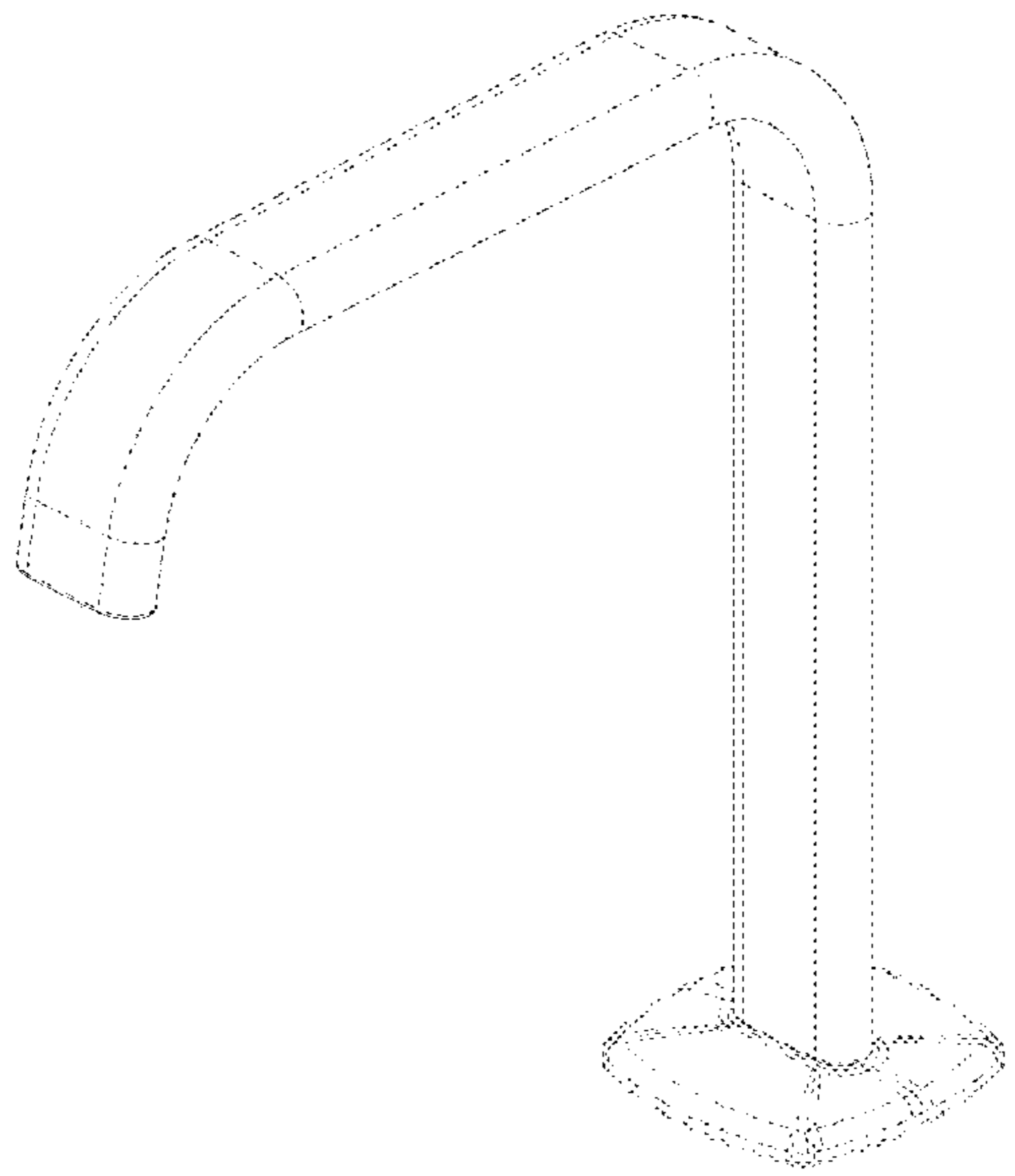
The ornamental design for a faucet spout, as shown and described.

DESCRIPTION

FIG. 1 is a front perspective view of a faucet spout showing my new design;
FIG. 2 is a rear perspective view thereof;
FIG. 3 is a front elevational view thereof;
FIG. 4 is a left side view thereof;
FIG. 5 is a rear elevational view thereof;
FIG. 6 is a right side view thereof;
FIG. 7 is a top plan view thereof; and,
FIG. 8 is a bottom plan view thereof.
The broken lines are included for the purposes of illustrating portions of the article and form no part of the claimed design.

1 Claim, 4 Drawing Sheets

(56) **References Cited**
U.S. PATENT DOCUMENTS
3,593,961 A * 7/1971 Stewart F16K 31/58
251/349
D479,583 S * 9/2003 Citterio D23/241
D479,740 S * 9/2003 Citterio D23/242
D482,102 S * 11/2003 Wettstein D23/238
D512,484 S * 12/2005 Pains D23/238
D529,586 S * 10/2006 Kulig D23/242
D553,714 S * 10/2007 Demmer D23/238



(56)

References Cited

OTHER PUBLICATIONS

Architonic, Andrew | Single-lever mixer for kitchen by rvb, launched 2015, [online], [visited Jun. 2, 2021]. Internet, <URL: <https://www.architonic.com/en/product/rvb-andrew-single-lever-mixer-for-kitchen/1499636>> (Year: 2015).*

Amazon, KunMai Antique Brass Kitchen Sink, posted Dec. 27, 2016, [online], [visited Jun. 2, 2021]. Internet, <URL: <https://www.amazon.co.uk/KunMai-Antique-Single-Kitchen-Swiveling/dp/B01N9LL4BL/ref>> (Year: 2016).*

Residential Products Online, Belgium Faucet Brand debuts innovative faucet line, posted Jul. 10, 2017, [online], [visited Jun. 3, 2021]. Internet, <URL: <https://www.residentialproductsonline.com/belgium-faucet-brand-debuts-innovative-faucet-line>> (Year: 2017).*

RVB, Andrew Design catalogue, created Feb. 4, 2016, [online], [visited Jun. 4, 2021]. Internet, <URL: <https://www.rvb.be/docs/andrew.pdf>> (Year: 2016).*

* cited by examiner

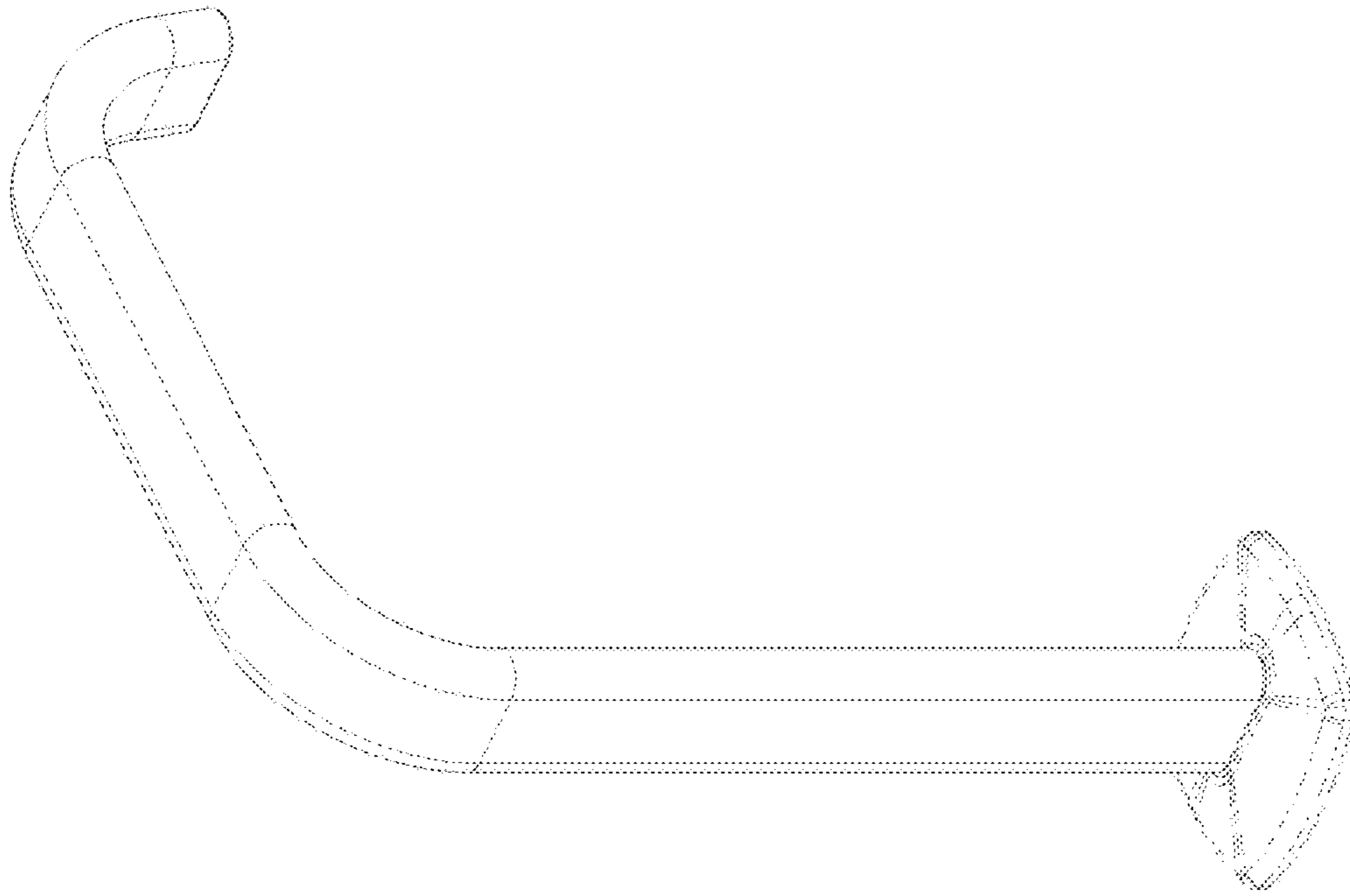


FIG. 2

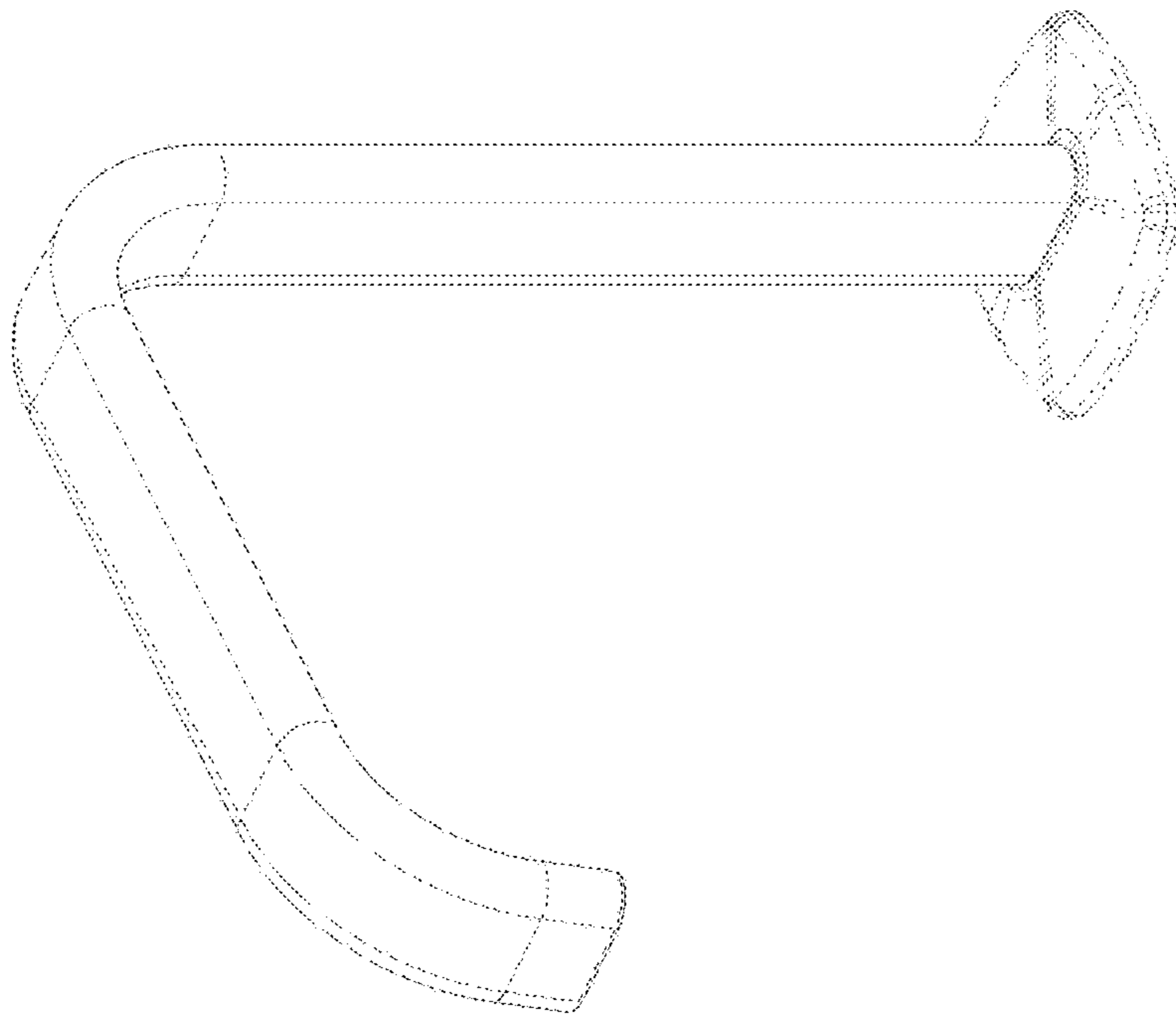


FIG. 1

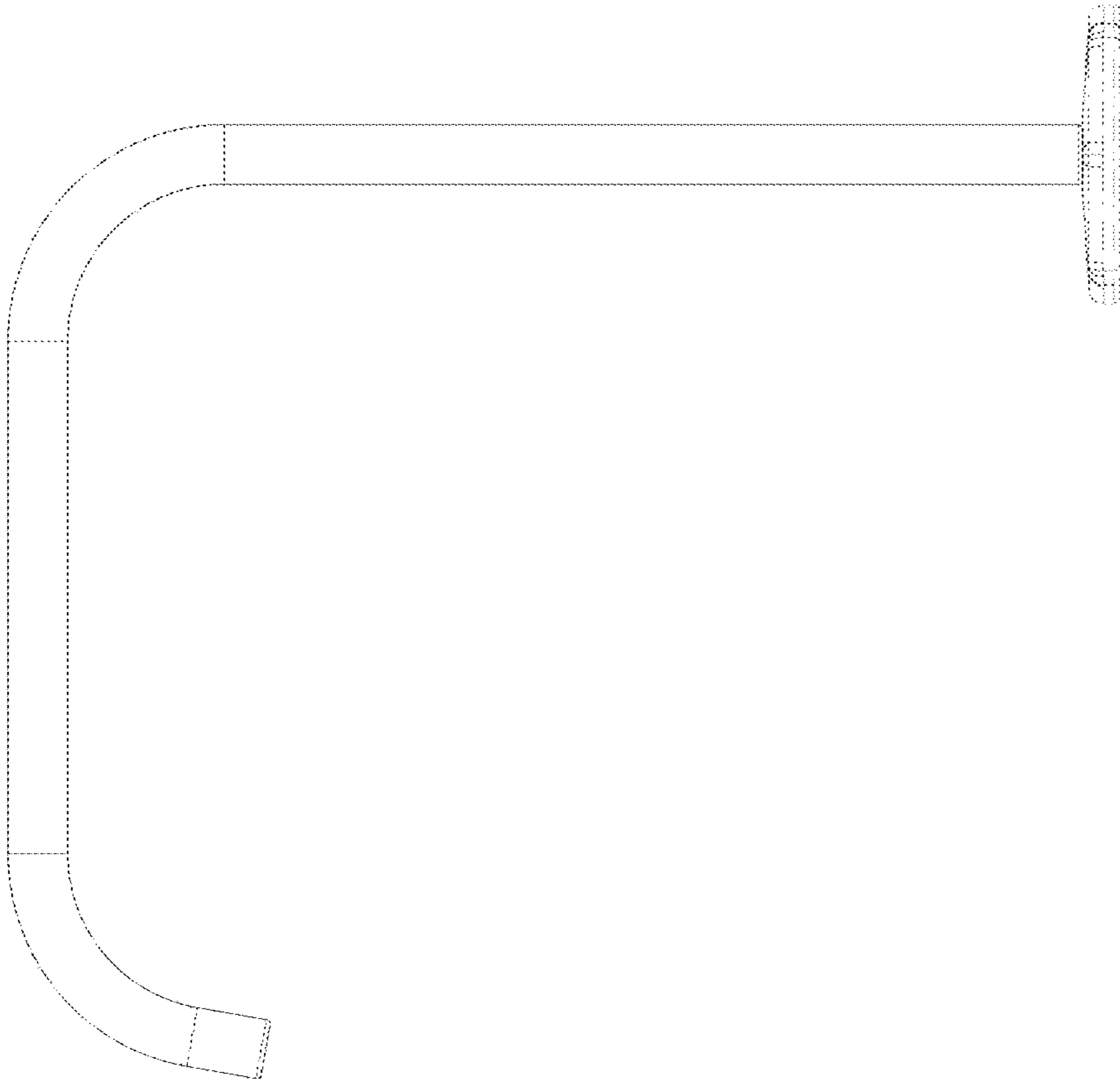


FIG- 4



FIG- 3

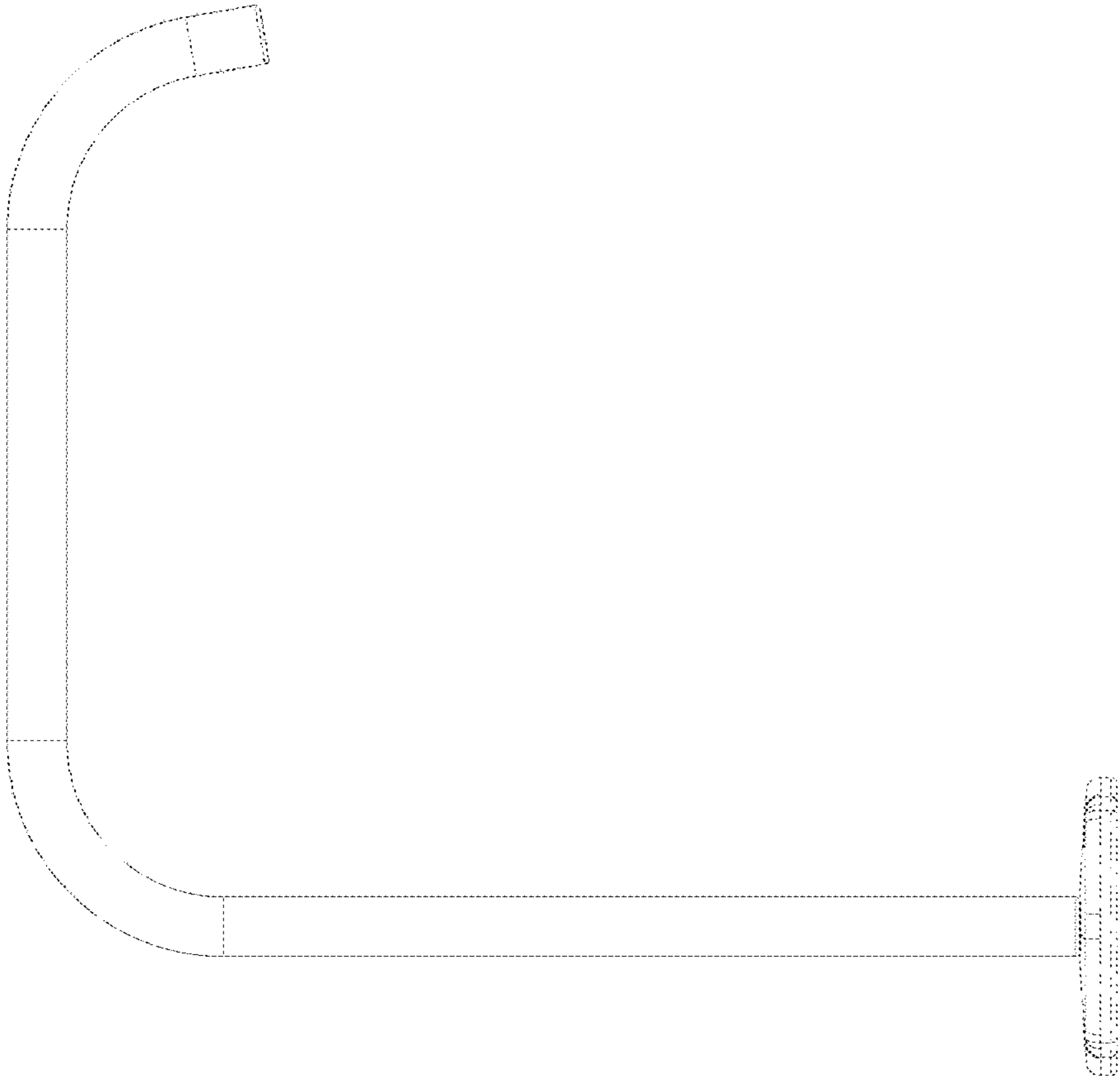


FIG- 6



FIG- 5



FIG. 8



FIG. 7