



US00D952104S

(12) **United States Design Patent** (10) **Patent No.:** **US D952,104 S**
Stoler (45) **Date of Patent:** **** May 17, 2022**

- (54) **FAUCET**
- (71) Applicant: **DELTA FAUCET COMPANY,**
Indianapolis, IN (US)
- (72) Inventor: **Benjamin Stoler,** Carmel, IN (US)
- (73) Assignee: **DELTA FAUCET COMPANY,**
Indianapolis, IN (US)
- (**) Term: **15 Years**
- (21) Appl. No.: **29/746,404**
- (22) Filed: **Aug. 13, 2020**
- (51) **LOC (13) Cl.** **23-01**
- (52) **U.S. Cl.**
USPC **D23/238**
- (58) **Field of Classification Search**
USPC D23/257, 249, 254, 259, 255, 233, 234,
D23/235, 236, 237, 238, 240, 241, 242,
D23/243, 244, 245, 246, 247, 248, 250,
D23/251, 252, 253, 256
CPC E03C 1/01; E03C 1/0409; E03C 1/025;
E03C 1/0408; E03C 1/04; E03C 1/0401;
E03C 1/0402; E03C 1/0405; E03C
1/0412; Y10T 137/5339; Y10T 137/6014;
Y10T 137/6021
See application file for complete search history.

D718,840 S	*	12/2014	Garland	D23/252
D822,170 S	*	7/2018	Haug	D23/238
D863,506 S	*	10/2019	Hayner	D23/238
D871,547 S	*	12/2019	Eads	D23/238

FOREIGN PATENT DOCUMENTS

CN 201830066856 * 2/2018

OTHER PUBLICATIONS

Amazon, WEWE Single Handle High Arc Kitchen Faucet, posted Jun. 15, 2016, [online], [visited Sep. 20, 2021]. Internet, <URL: <https://www.amazon.co.uk/WEWE-Single-Fuction-Sprayer-Kitchen/dp/B01H3OMH7Y/ref>> (Year: 2016).*

Amazon, Hazmemejor Kitchen Sink Tap swivel faucet, posted Aug. 7, 2019, [online], [visited Sep. 20, 2021]. Internet, <URL: <https://www.amazon.co.uk/Kitchen-Mixer-Tap-Modern-Rotation/dp/B07W6LNCYS/ref>> (Year: 2019).*

* cited by examiner

Primary Examiner — Samantha Wood
(74) *Attorney, Agent, or Firm* — Nirav D. Parikh; Edgar A. Zarins

(57) **CLAIM**

The ornamental design for a faucet, as shown and described.

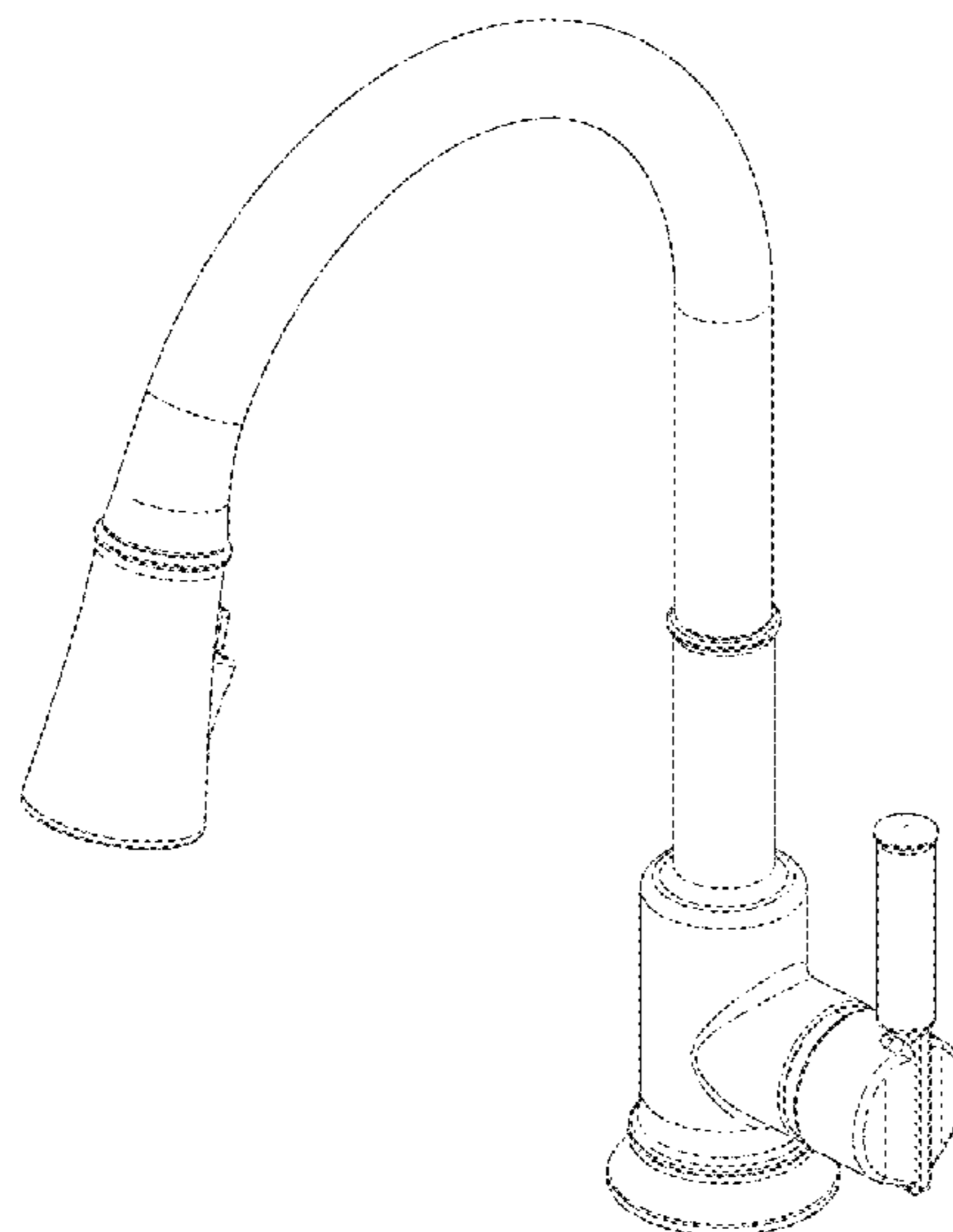
DESCRIPTION

FIG. 1 is a front perspective view of a faucet showing my new design;
FIG. 2 is a rear perspective view thereof;
FIG. 3 is a front elevational view thereof;
FIG. 4 is a left side elevational view thereof;
FIG. 5 is a rear elevational view thereof;
FIG. 6 is a right side elevational view thereof;
FIG. 7 is a top plan view thereof; and,
FIG. 8 is a bottom plan view thereof.
The broken lines shown in the figures depict portions of the faucet body that forms no part of the claimed design.

1 Claim, 4 Drawing Sheets

(56) **References Cited**
U.S. PATENT DOCUMENTS

D533,634 S	*	12/2006	Lord	D23/238
D540,914 S	*	4/2007	Haug	D23/235
D611,124 S	*	3/2010	Schoenherr	D23/238
D635,220 S	*	3/2011	Rubin	D23/238
D635,221 S	*	3/2011	Rubin	D23/238
D636,064 S	*	4/2011	Schoenherr	D23/255
D676,529 S	*	2/2013	Lord	D23/252
D697,588 S	*	1/2014	Schoenherr	D23/238
D706,398 S	*	6/2014	Flowers	D23/238
D713,936 S	*	9/2014	Antoniello	D23/241



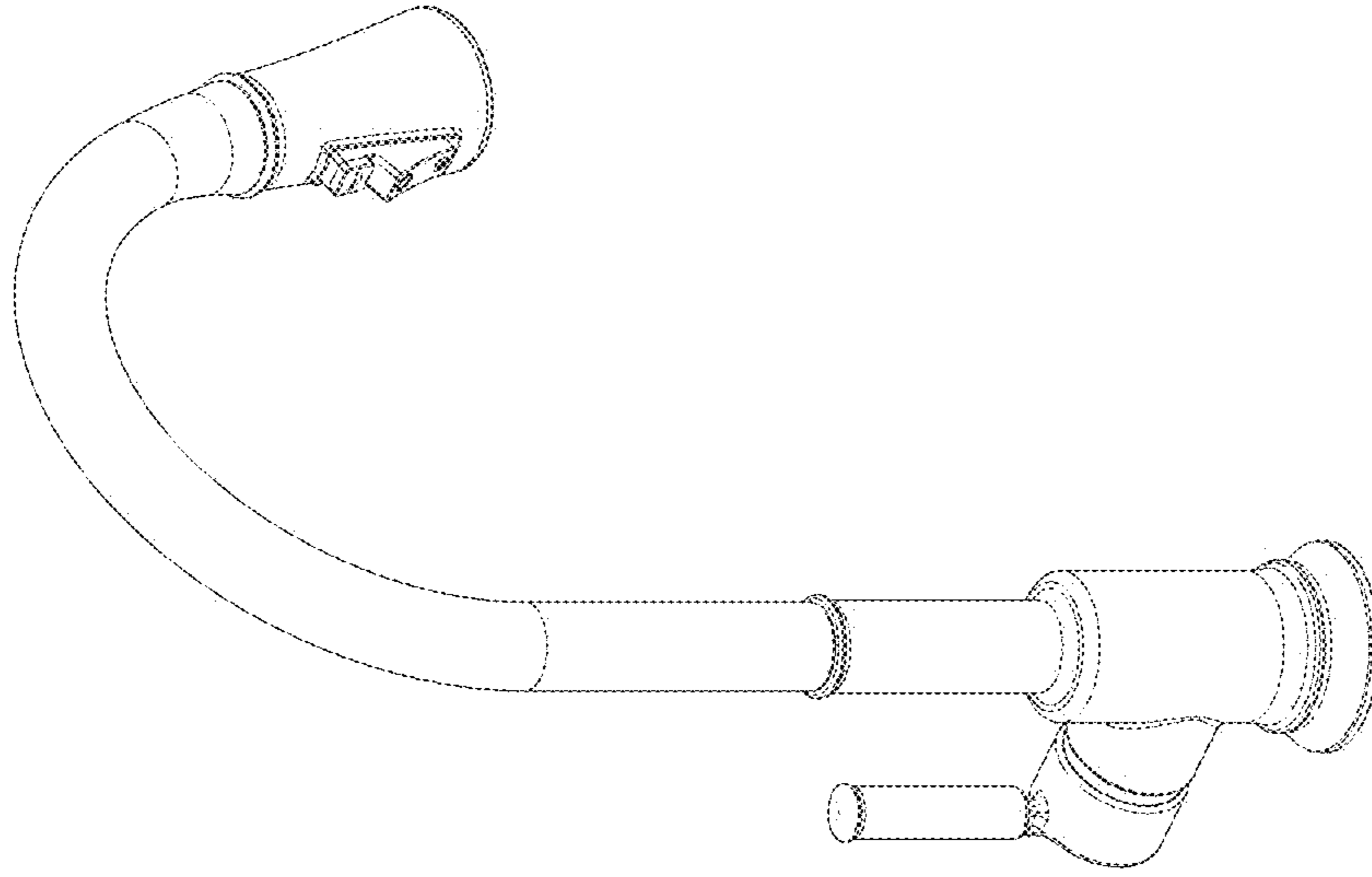


FIG - 2

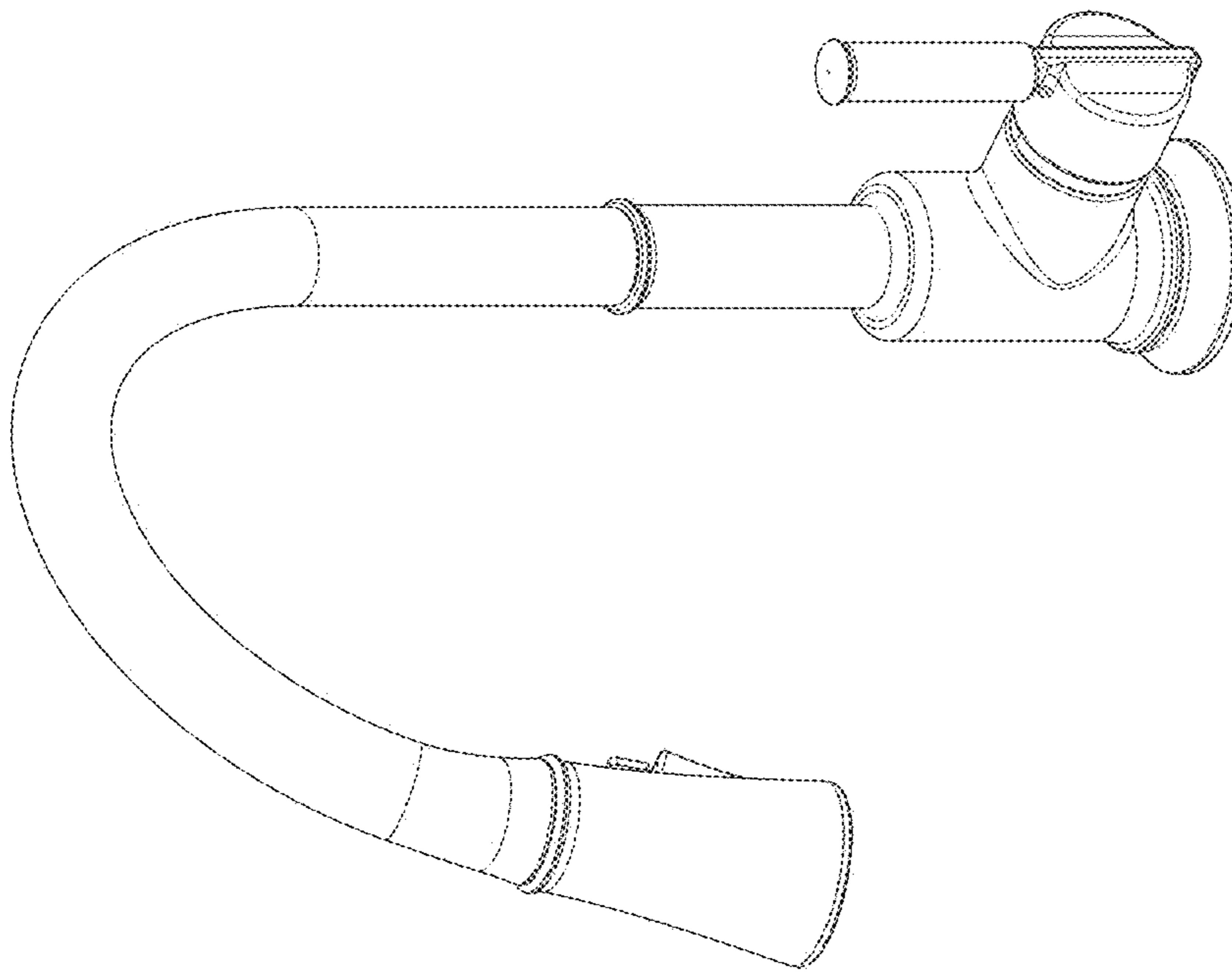


FIG - 1

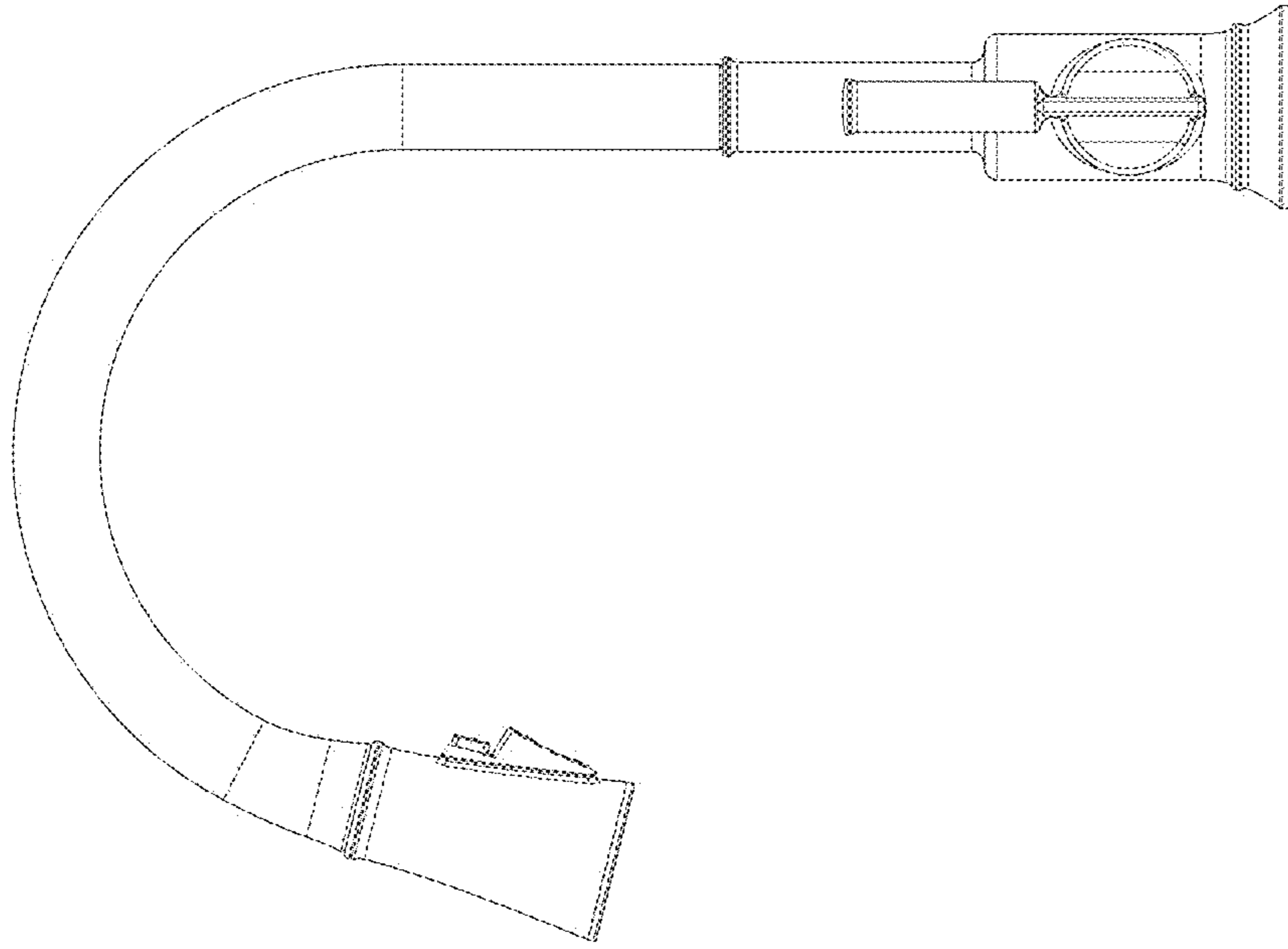


FIG - 4

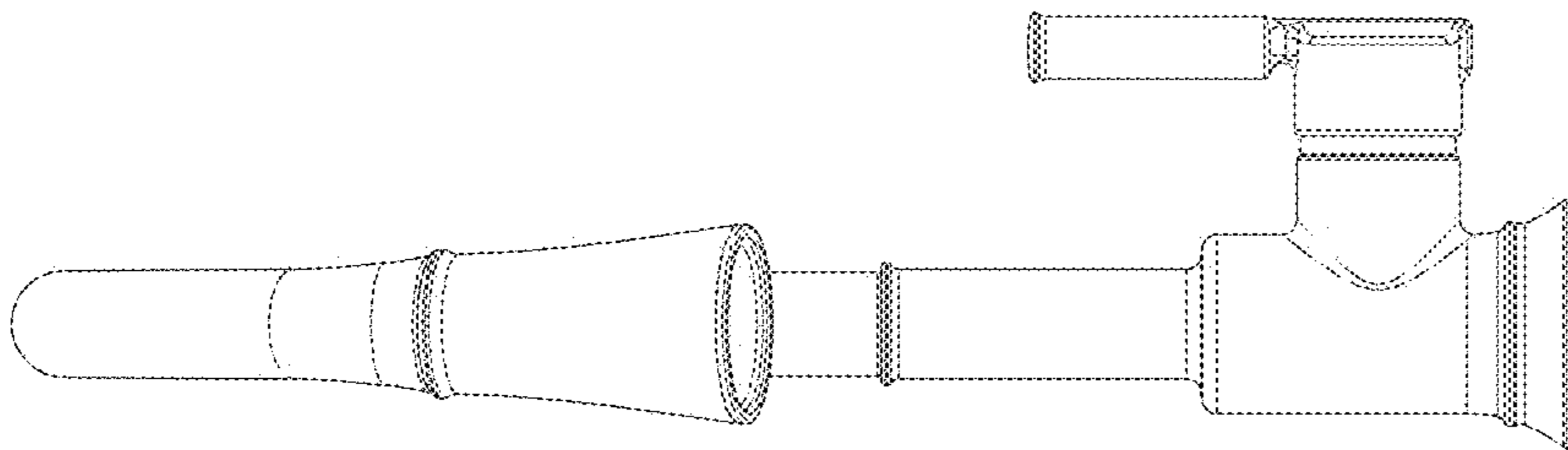


FIG - 3

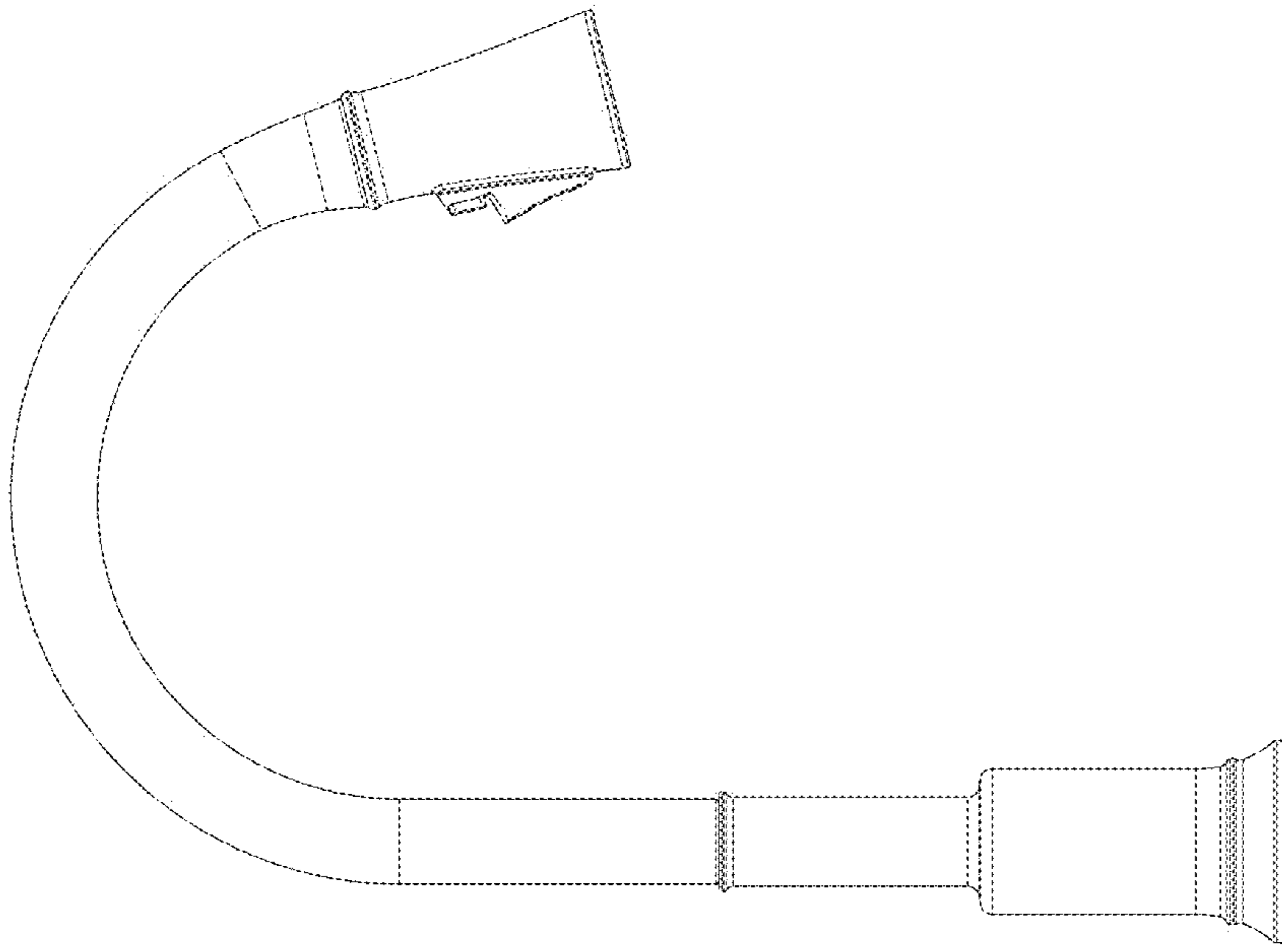


FIG - 6

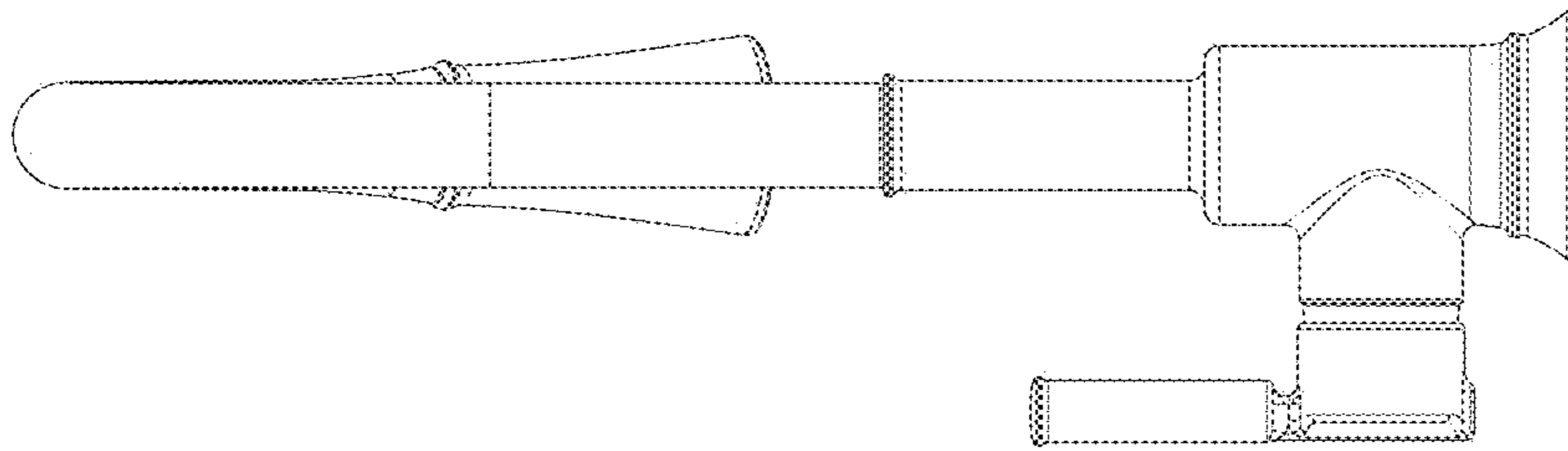


FIG - 5

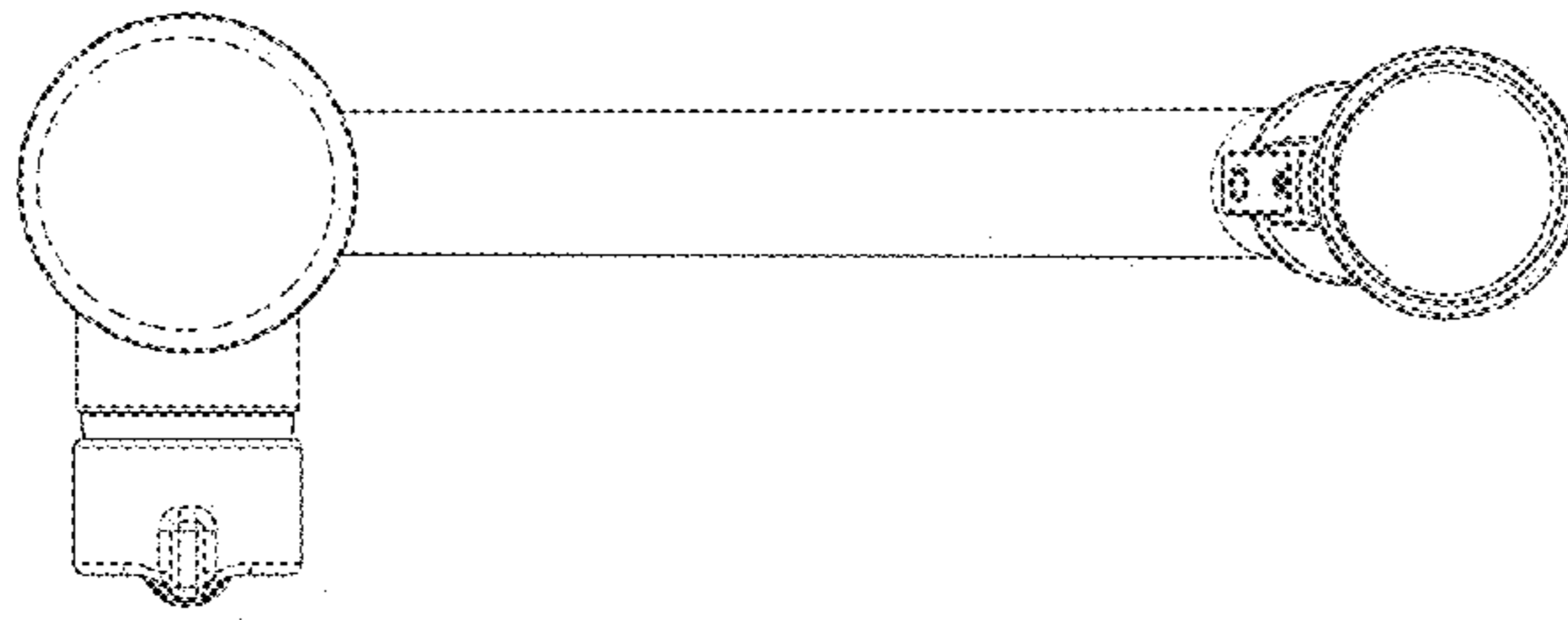


FIG - 8

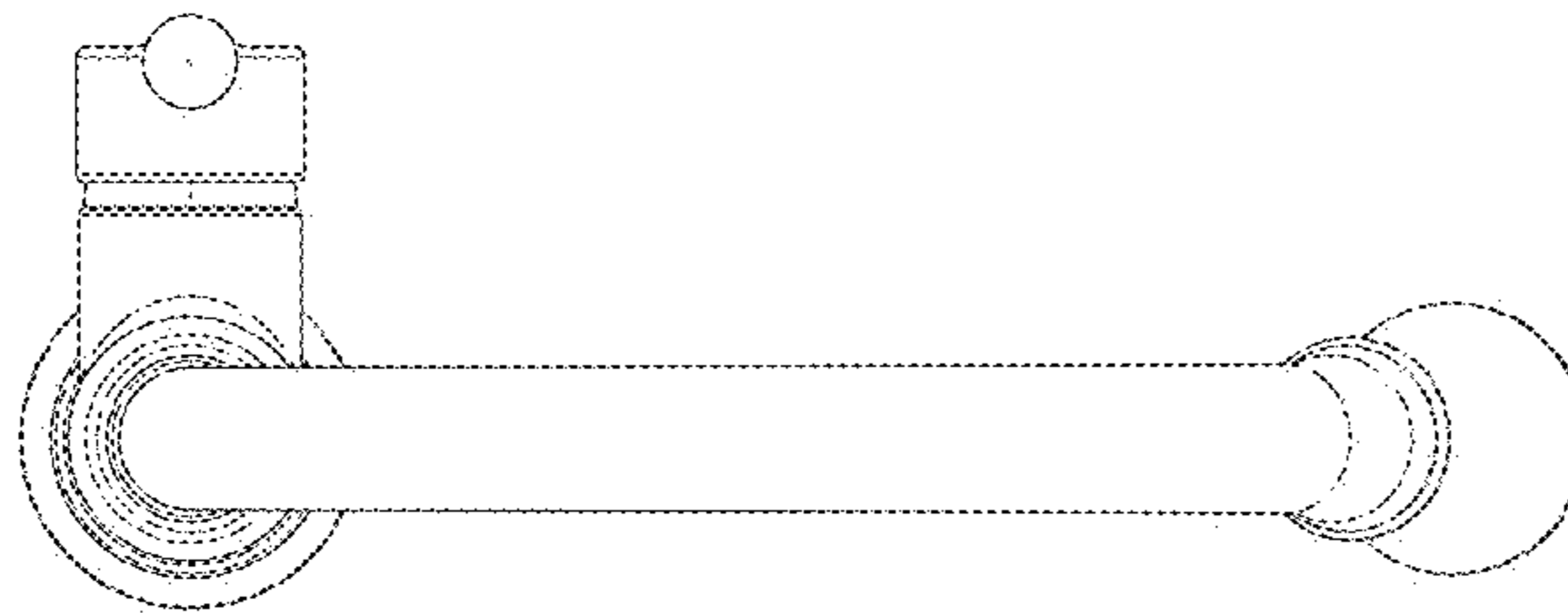


FIG - 7