



US00D952103S

(12) **United States Design Patent** (10) **Patent No.:** **US D952,103 S**  
**Stoler** (45) **Date of Patent:** **\*\* May 17, 2022**

- (54) **FAUCET BODY**
- (71) Applicant: **DELTA FAUCET COMPANY**,  
Indianapolis, IN (US)
- (72) Inventor: **Benjamin Stoler**, Carmel, IN (US)
- (73) Assignee: **DELTA FAUCET COMPANY**,  
Indianapolis, IN (US)
- (\*\*) Term: **15 Years**
- (21) Appl. No.: **29/746,356**
- (22) Filed: **Aug. 13, 2020**
- (51) **LOC (13) Cl.** ..... **23-01**
- (52) **U.S. Cl.**  
USPC ..... **D23/238**
- (58) **Field of Classification Search**  
USPC ..... D23/257, 259, 249, 234–238, 240–248,  
D23/250–256  
CPC ..... E03C 1/01; E03C 1/0409; E03C 1/025;  
E03C 1/0408; E03C 1/04; E03C 1/0401;  
E03C 1/0402; E03C 1/0405; E03C  
1/0412; Y10T 137/5339; Y10T 137/6014;  
Y10T 137/6021  
See application file for complete search history.

(56) **References Cited**  
U.S. PATENT DOCUMENTS

D344,127 S *	2/1994	Carr	.....	D23/238
D373,177 S *	8/1996	Jans	.....	D23/238
D390,919 S *	2/1998	Lobermeier	.....	D23/238
D397,423 S *	8/1998	Short	.....	D23/238
D406,877 S *	3/1999	Esche	.....	D23/243
D461,875 S *	8/2002	Gottwald	.....	D23/238
D476,720 S *	7/2003	Hanna	.....	D23/238
D584,800 S *	1/2009	Zhang	.....	D23/238

D614,265 S *	4/2010	Downey	.....	D23/255
D828,513 S *	9/2018	Rashid	.....	D23/238
D875,216 S *	2/2020	Tentler	.....	D23/238

FOREIGN PATENT DOCUMENTS

CN	201030248757	*	7/2010
CN	201430041437	*	3/2014

OTHER PUBLICATIONS

Amazon, APPASO Gold Kitchen Faucet with Pull Down Sprayer, posted Sep. 4, 2019, [online], [visited Oct. 21, 2021]. Internet, <URL: <https://www.amazon.co.uk/Kitchen-Pull-Down-Magnetic-Champagne-APPASO/dp/B07X8WRMG1/ref?th=1>> (Year: 2019).\*

\* cited by examiner

*Primary Examiner* — Samantha Wood

(74) *Attorney, Agent, or Firm* — Nirav D. Parikh; Edgar A. Zarins

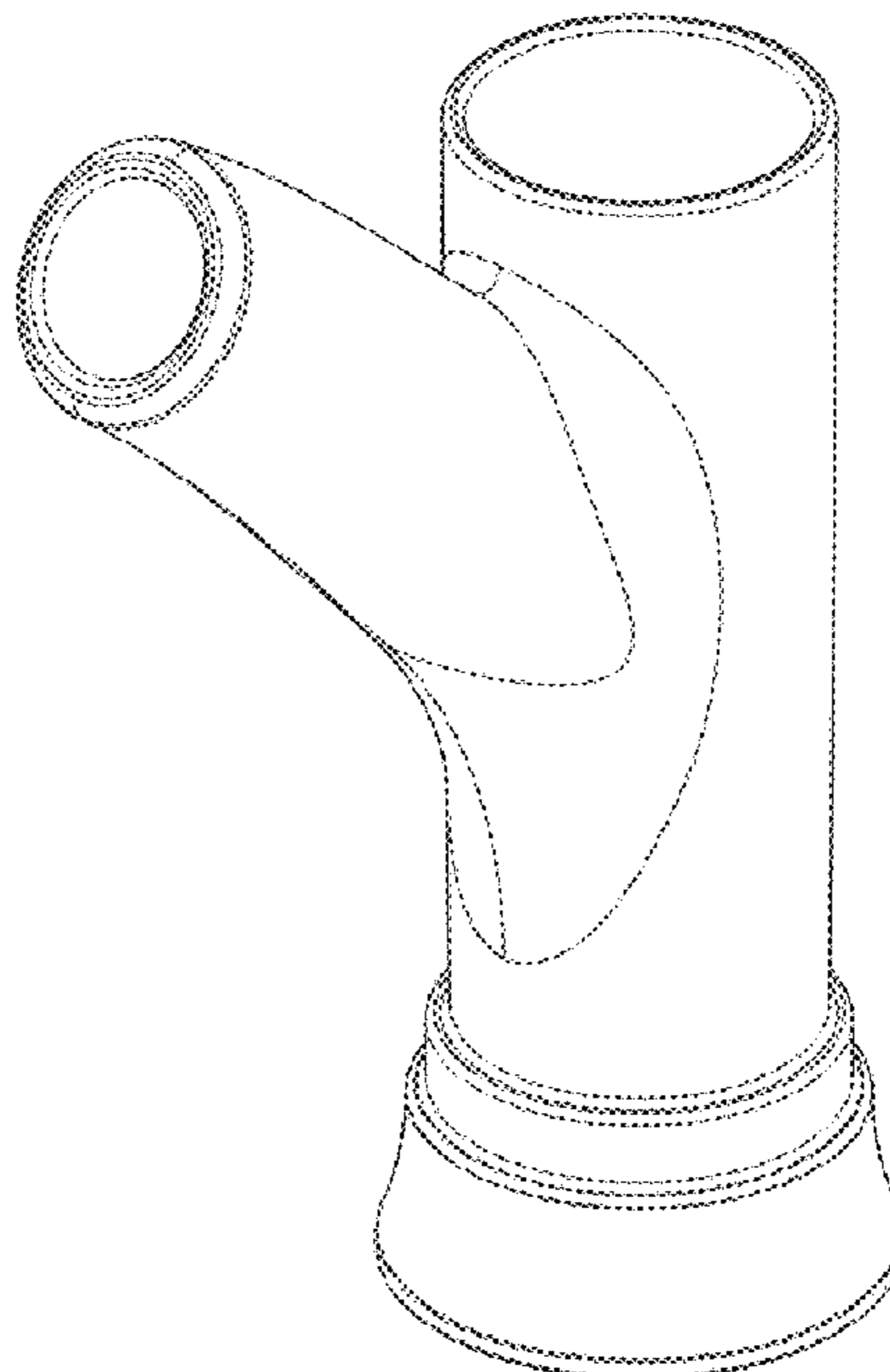
(57) **CLAIM**

The ornamental design for a faucet body, as shown and described.

**DESCRIPTION**

FIG. 1 is a front perspective view of a faucet body showing my new design;  
FIG. 2 is rear perspective view thereof;  
FIG. 3 is a front elevational view thereof;  
FIG. 4 is a left side view thereof;  
FIG. 5 is a rear view thereof;  
FIG. 6 is a right side view thereof;  
FIG. 7 is a top plan view thereof; and,  
FIG. 8 is a bottom view thereof.  
The broken lines shown in the figures depict portions of the faucet body that forms no part of the claimed design.

**1 Claim, 4 Drawing Sheets**



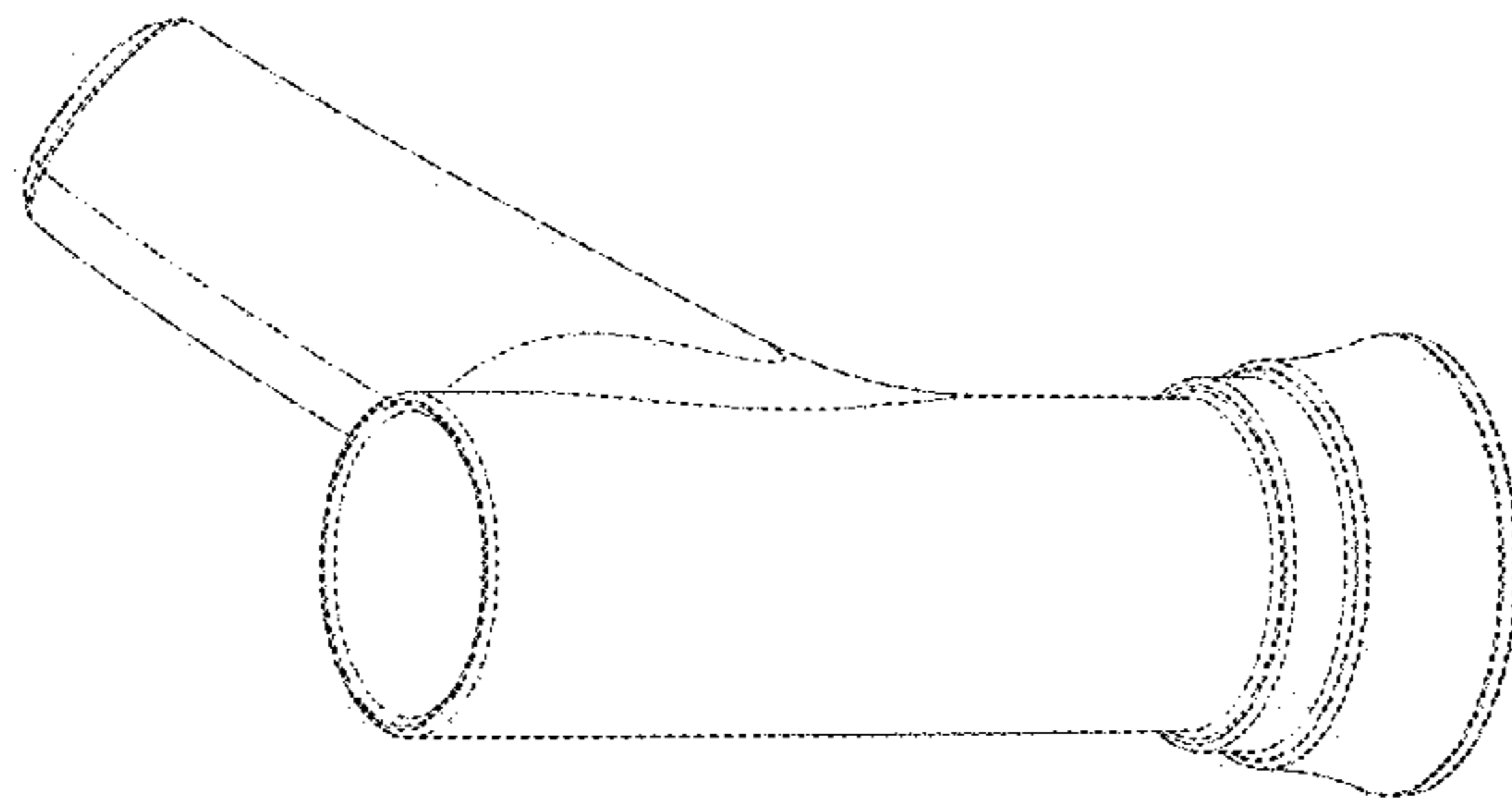


FIG - 2

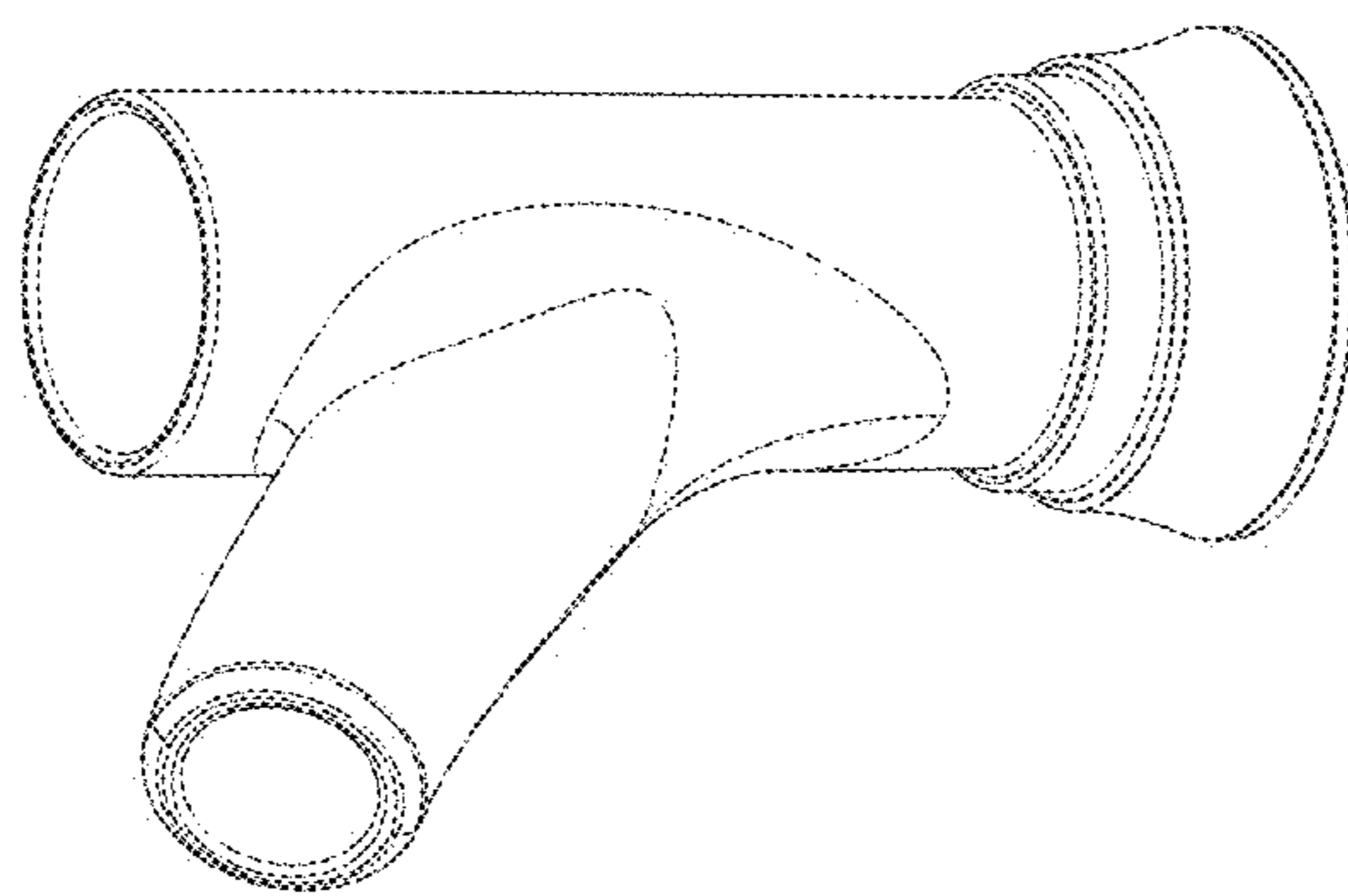


FIG - 1

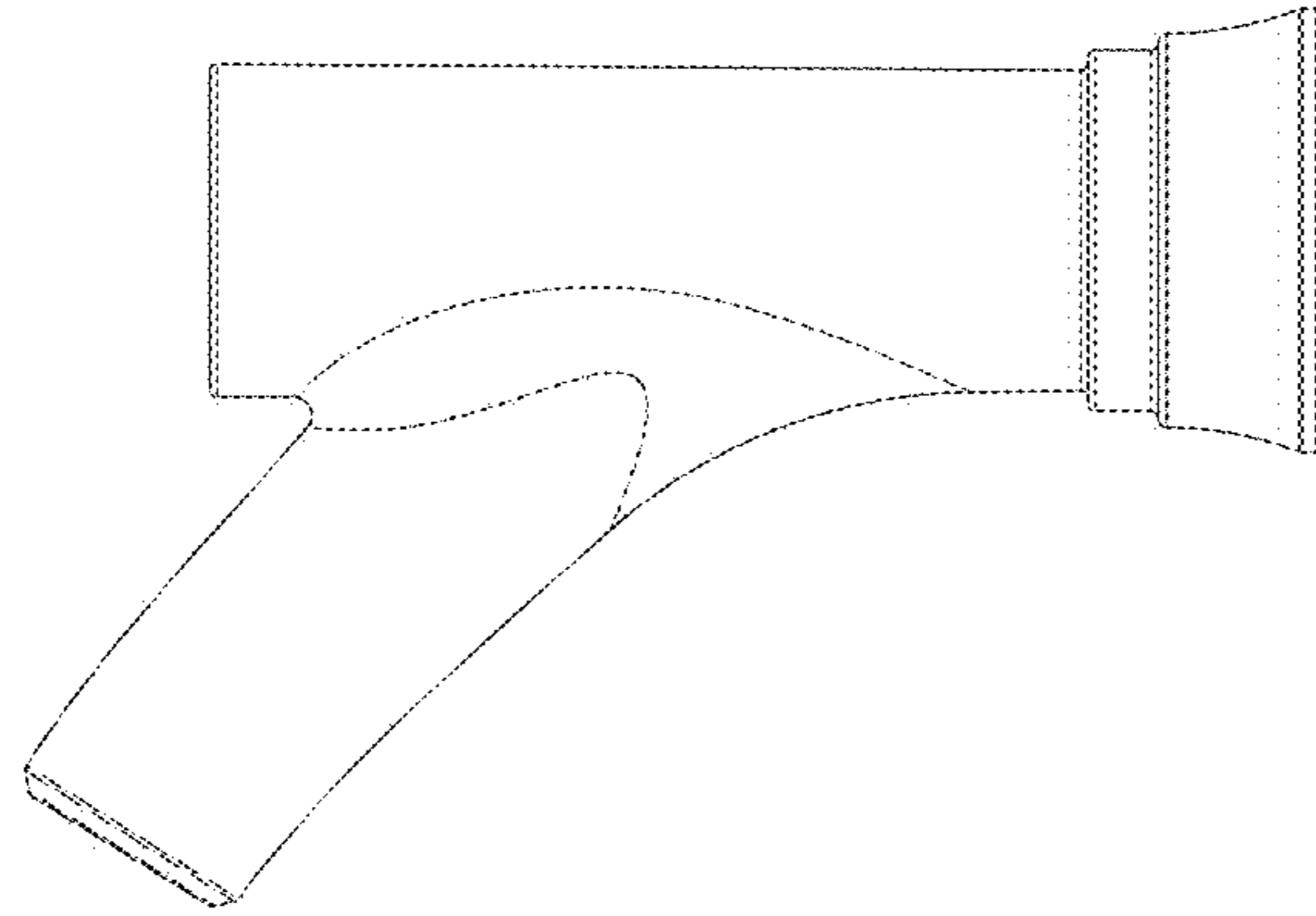


FIG - 4

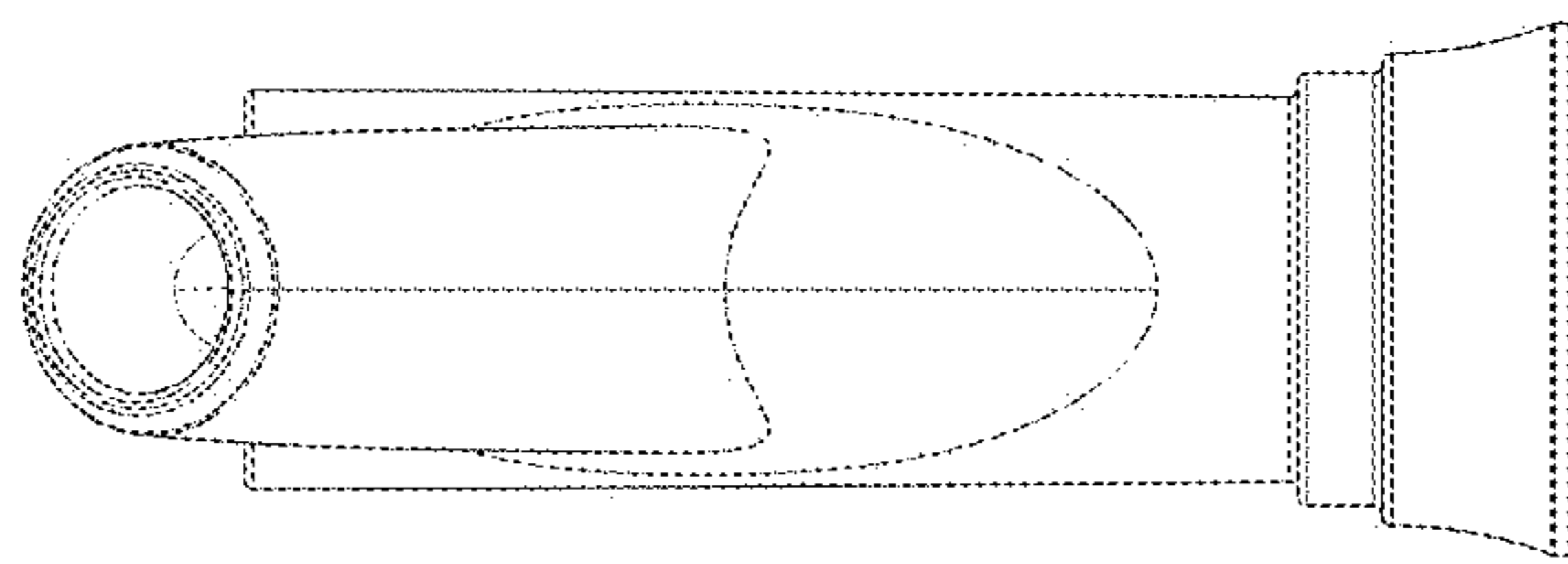


FIG - 3

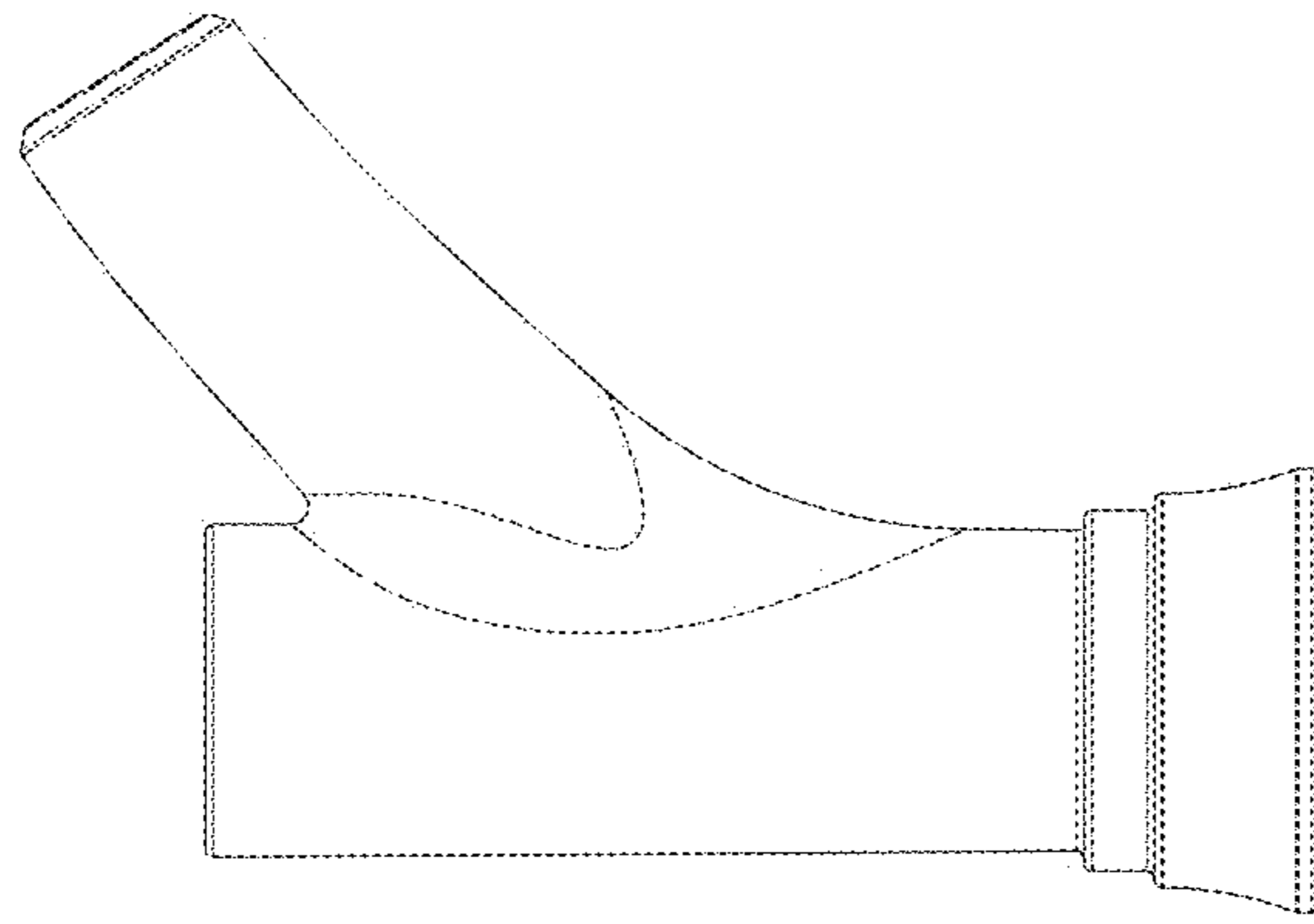


FIG - 6

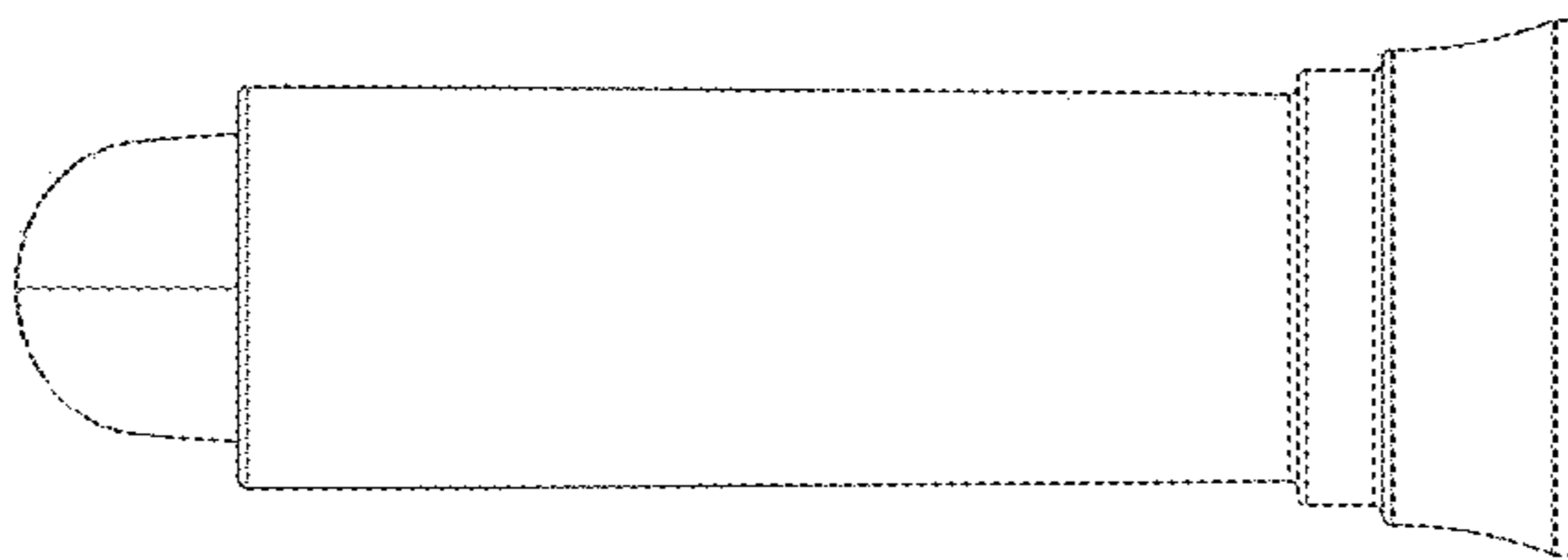


FIG - 5

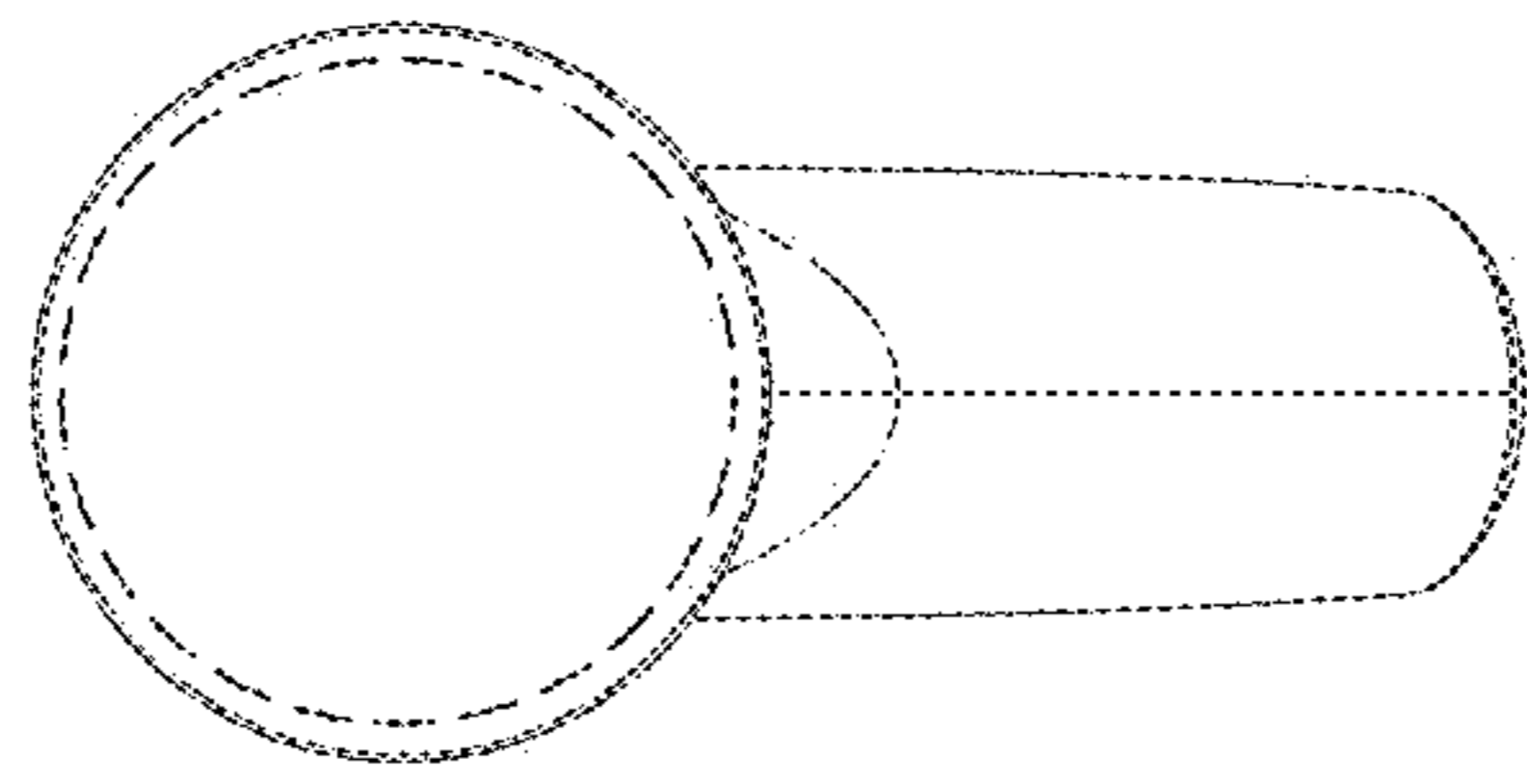


FIG - 8

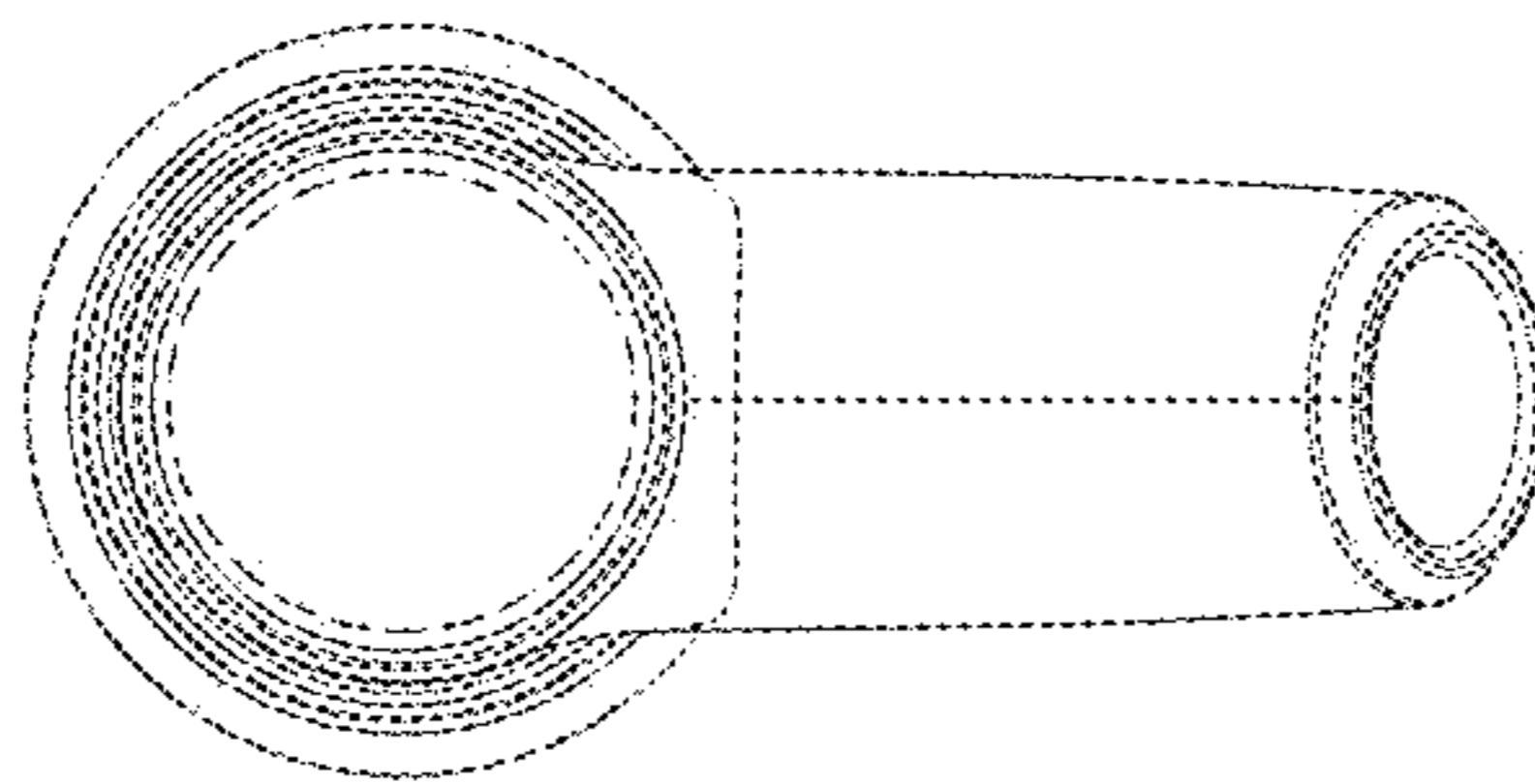


FIG - 7