



US00D952102S

(12) **United States Design Patent** (10) **Patent No.:** **US D952,102 S**
Upadhyaya (45) **Date of Patent:** **** May 17, 2022**

(54) **FAUCET BODY**
(71) Applicant: **DELTA FAUCET COMPANY,**
Indianapolis, IN (US)
(72) Inventor: **Alexandra Upadhyaya,** Midlothian, VA
(US)
(73) Assignee: **DELTA FAUCET COMPANY,**
Indianapolis, IN (US)
(**) Term: **15 Years**
(21) Appl. No.: **29/736,962**
(22) Filed: **Jun. 4, 2020**
(51) **LOC (13) Cl.** **23-01**
(52) **U.S. Cl.**
USPC **D23/238**
(58) **Field of Classification Search**
USPC D23/257, 259, 249, 234–238, 240–248,
D23/250–256
CPC E03C 1/01; E03C 1/0409; E03C 1/025;
E03C 1/0408; E03C 1/04; E03C 1/0401;
E03C 1/0402; E03C 1/0405; E03C
1/0412; Y10T 137/5339; Y10T 137/6014;
Y10T 137/6021
See application file for complete search history.

(56) **References Cited**

U.S. PATENT DOCUMENTS

D696,386 S * 12/2013 Schoenherr D23/238
D723,664 S * 3/2015 Pony D23/238
D737,936 S * 9/2015 Pony D23/238
D754,821 S * 4/2016 Bahler D23/238

D867,532 S * 11/2019 Liao D23/238
D868,938 S * 12/2019 Tentler D23/238
D876,588 S * 2/2020 Garland D23/238
D877,297 S * 3/2020 Tentler D23/238

FOREIGN PATENT DOCUMENTS

CN 201830677259.9 * 11/2018

OTHER PUBLICATIONS

Lowes, Delta Lenta Spotshield Kitchen Faucet, [online], [visited Jan. 14, 2022]. Internet, <URL: <https://www.lowes.com/pd/Delta-Faucet-Lenta-Spotshield-Stainless-1-Handle-Deck-Mount-Pull-Down-Handle-Lever-Residential-Kitchen-Faucet/1002848774>> (Year: 2022).*

* cited by examiner

Primary Examiner — Samantha Wood

(74) *Attorney, Agent, or Firm* — Nirav D. Parikh; Edgar A. Zarins

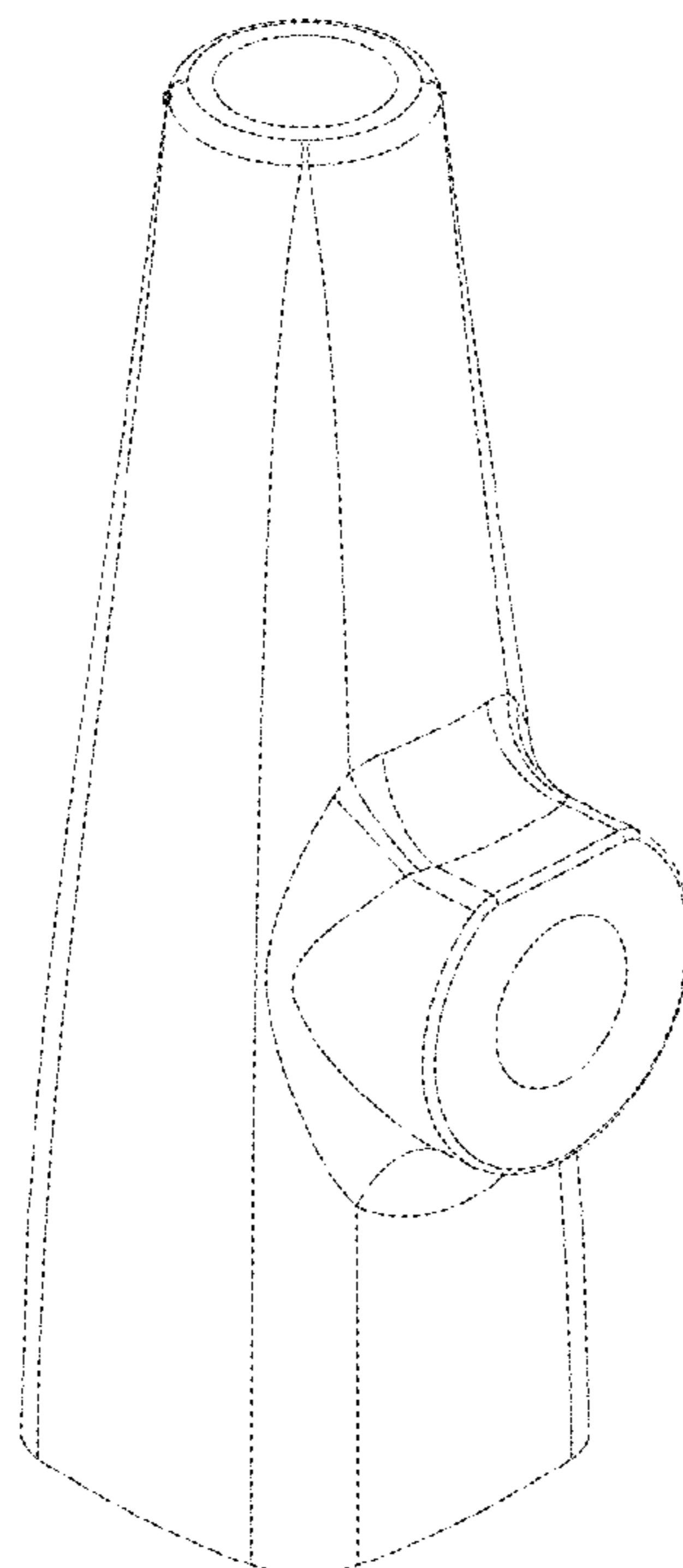
(57) **CLAIM**

The ornamental design for a faucet body, as shown and described.

DESCRIPTION

FIG. 1 is a front perspective view of a faucet body showing my new design;
FIG. 2 is a rear perspective view thereof;
FIG. 3 is a front elevational view thereof;
FIG. 4 is a left side view thereof;
FIG. 5 is a rear view thereof;
FIG. 6 is a right side view thereof;
FIG. 7 is a top plan view thereof; and,
FIG. 8 is a bottom view thereof.

1 Claim, 4 Drawing Sheets



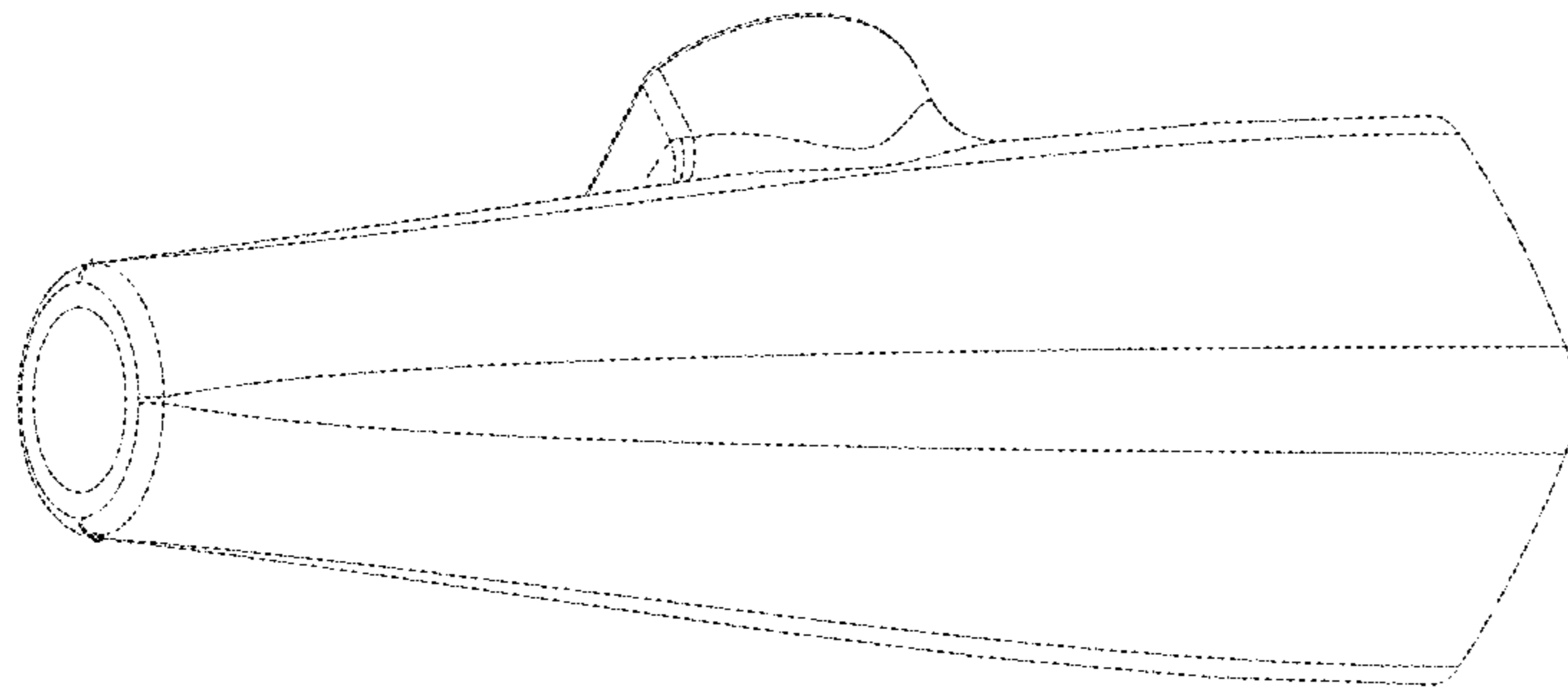


FIG-2

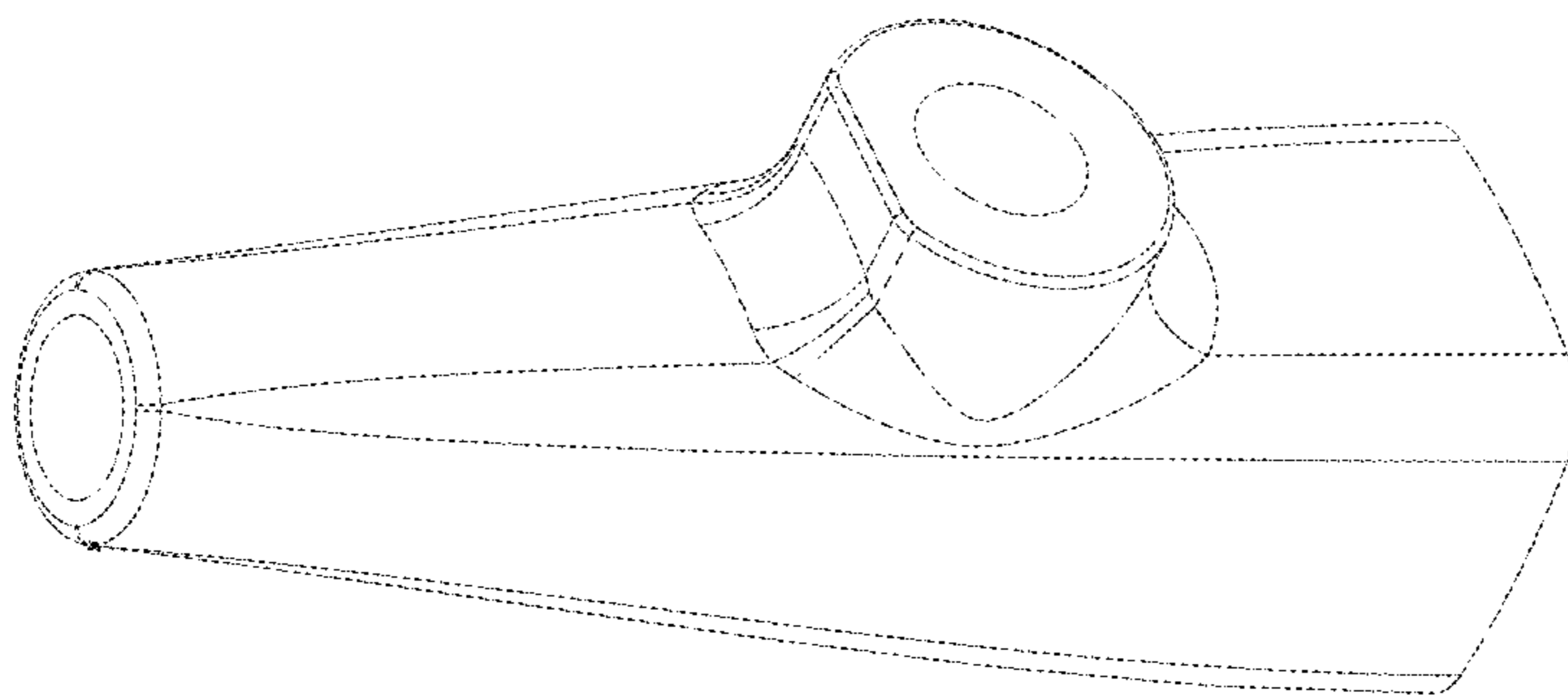


FIG-1

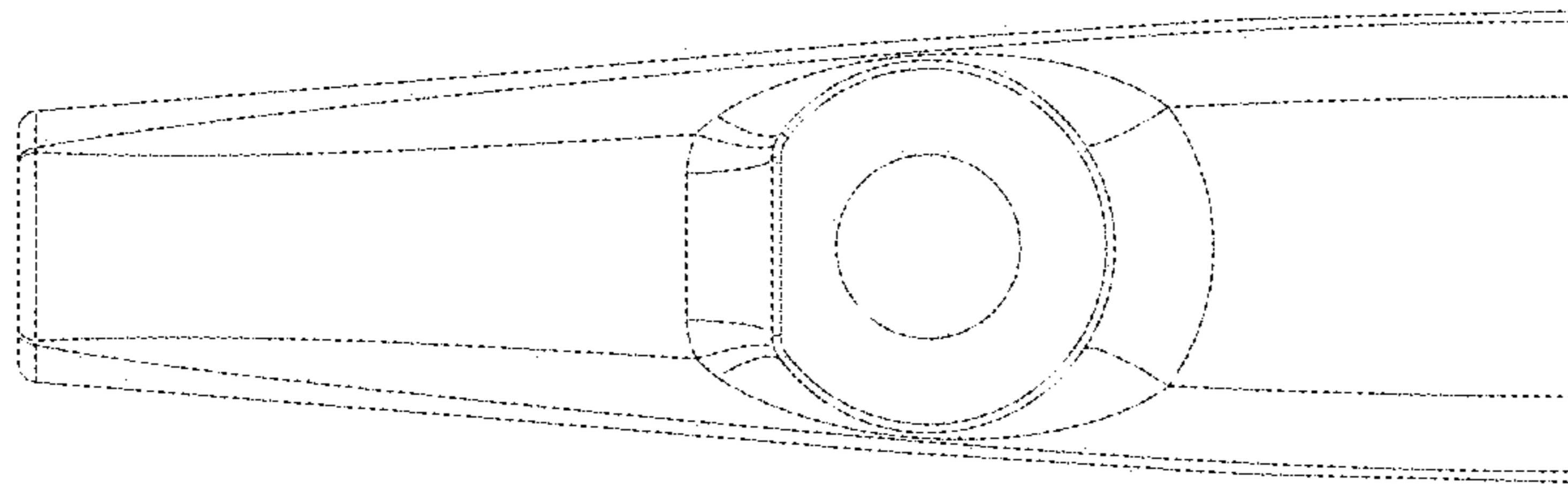


FIG-4

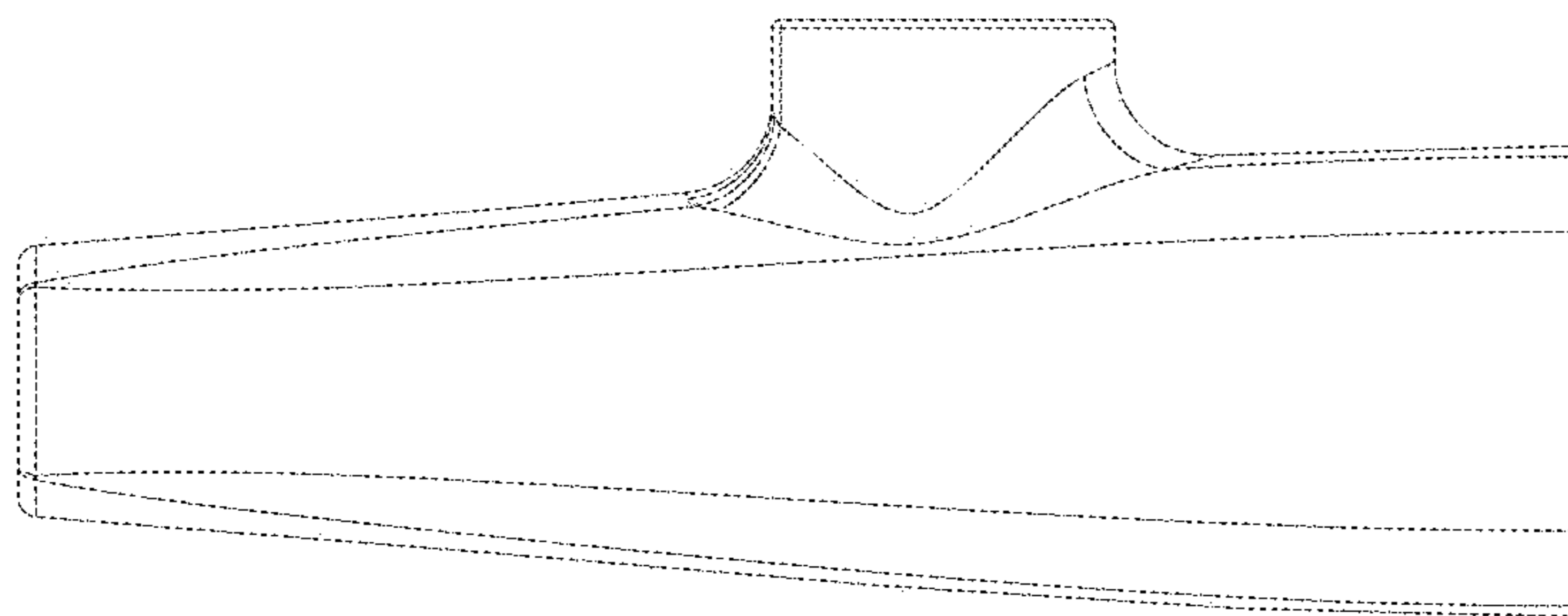


FIG-3

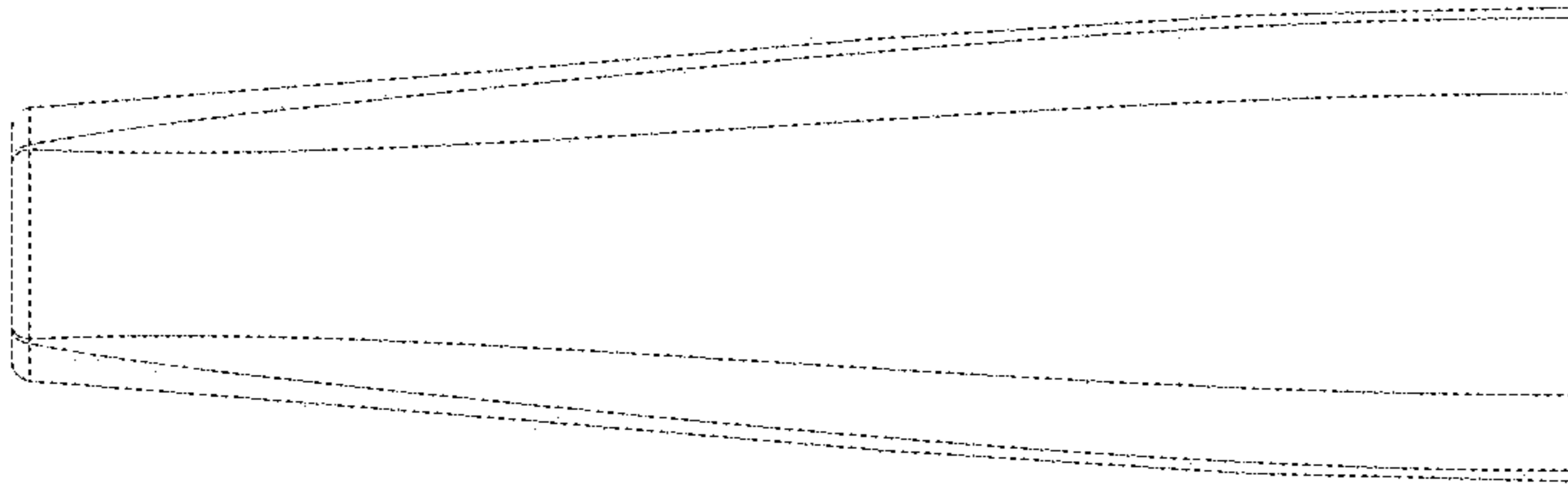


FIG-6

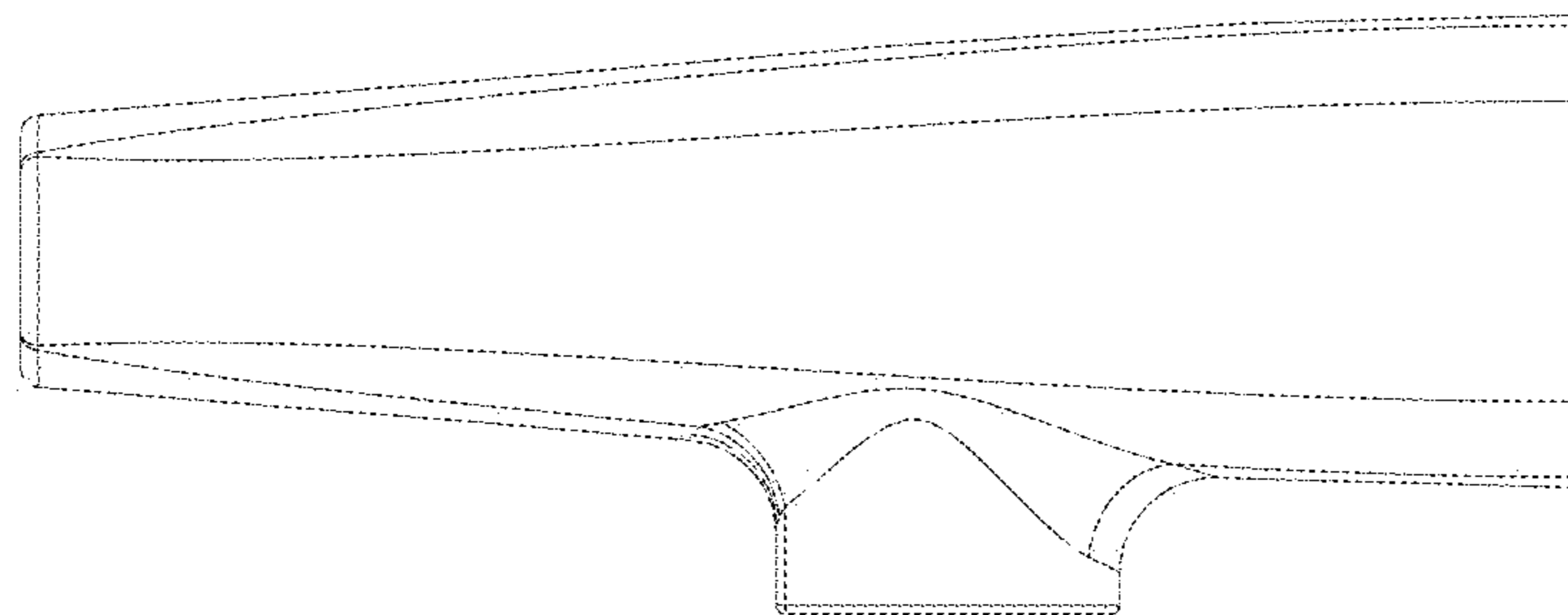


FIG-5

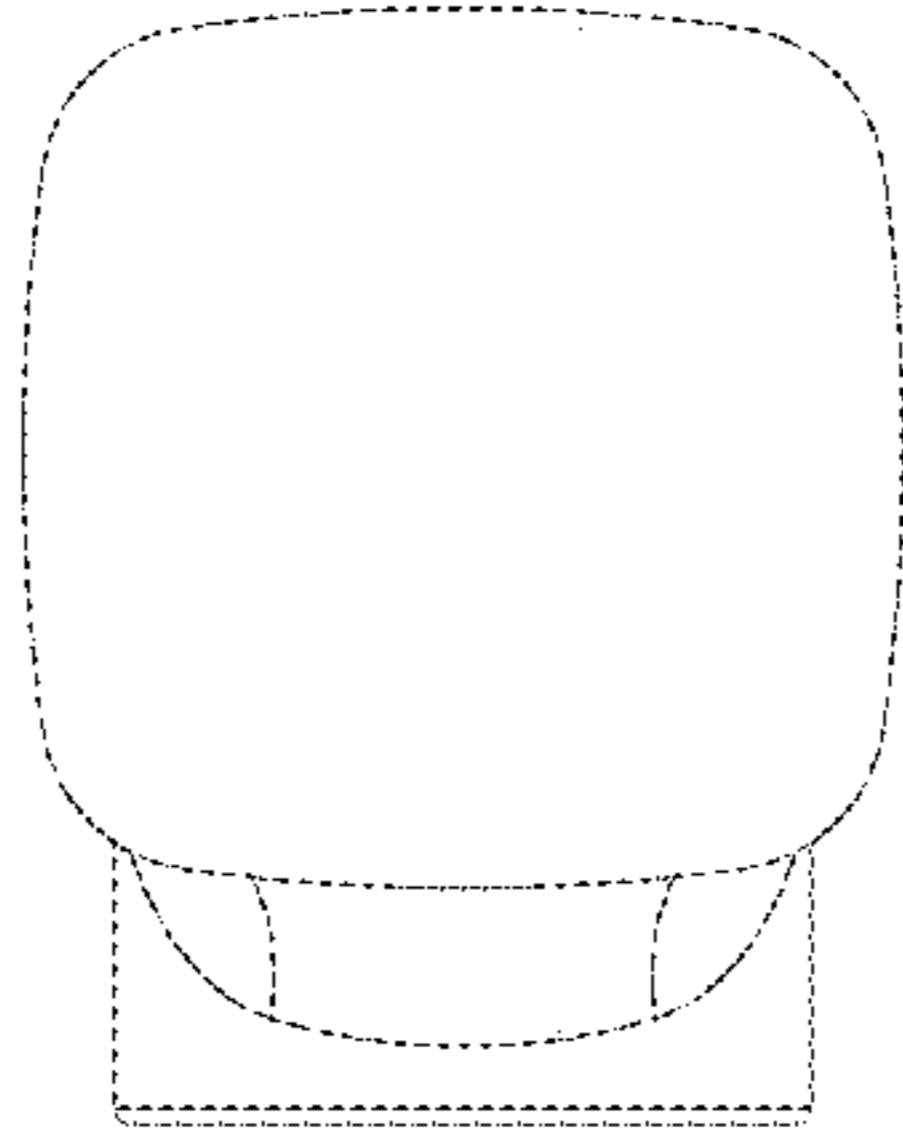


FIG-8

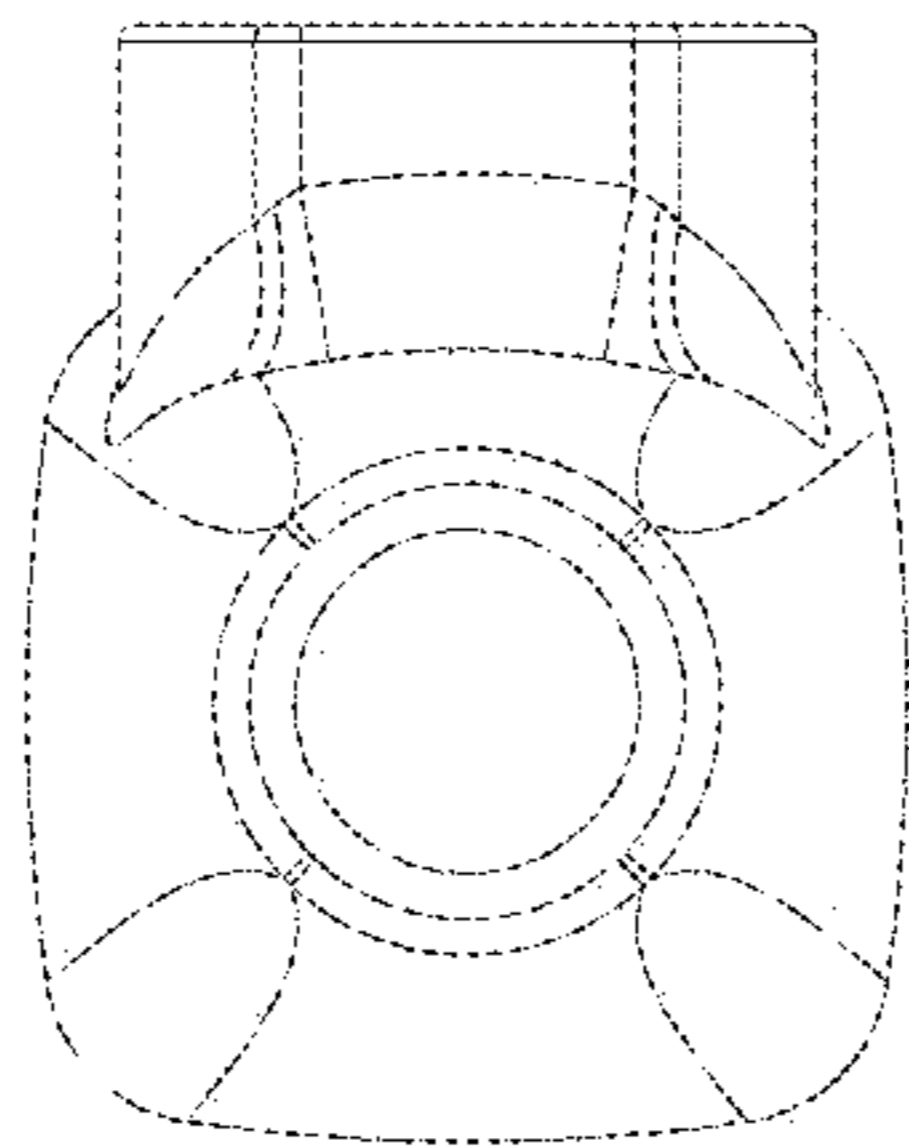


FIG-7