



US00D952100S

(12) **United States Design Patent** (10) **Patent No.:** **US D952,100 S**
Hoeptner, III (45) **Date of Patent:** **** May 17, 2022**

(54) **SUPPLY VALVE ASSEMBLY FOR A HYDRANT**

(71) Applicant: **Herbert W Hoeptner, III**, Gilroy, CA (US)

(72) Inventor: **Herbert W Hoeptner, III**, Gilroy, CA (US)

(**) Term: **15 Years**

(21) Appl. No.: **29/726,142**

(22) Filed: **Feb. 28, 2020**

Related U.S. Application Data

(63) Continuation of application No. 16/774,237, filed on Jan. 28, 2020, now Pat. No. 11,180,906, which is a continuation of application No. 15/936,931, filed on Mar. 27, 2018, now Pat. No. 10,550,551.

(51) **LOC (13) Cl.** **23-01**

(52) **U.S. Cl.**
USPC **D23/234**

(58) **Field of Classification Search**
USPC D23/233–235, 237, 241–249; 137/71; 251/293
CPC E03B 9/04; E03B 9/14; E03B 9/02; E03B 9/08; E03B 2009/022; F16K 27/006; F16K 15/18; F16K 15/1821; F16K 17/06; F16K 15/026; F15B 13/024; F15B 2211/50518; F15B 13/025; F15B 2211/329

See application file for complete search history.

(56) **References Cited**

U.S. PATENT DOCUMENTS

D256,607 S *	8/1980	Carlin	D23/245
7,021,327 B2 *	4/2006	Creel	E03B 9/04
			251/293
7,156,119 B2 *	1/2007	Freunddahl	F16K 17/40
			137/71
11,156,303 B2 *	10/2021	Allen	F16K 15/038
2016/0265197 A1 *	9/2016	Kitchen	F16K 17/40

* cited by examiner

Primary Examiner — Gino Colan

(74) *Attorney, Agent, or Firm* — Intellectual Innovations Legal Advisors

(57) **CLAIM**

The ornamental design for a supply valve assembly for a hydrant, as shown and described.

DESCRIPTION

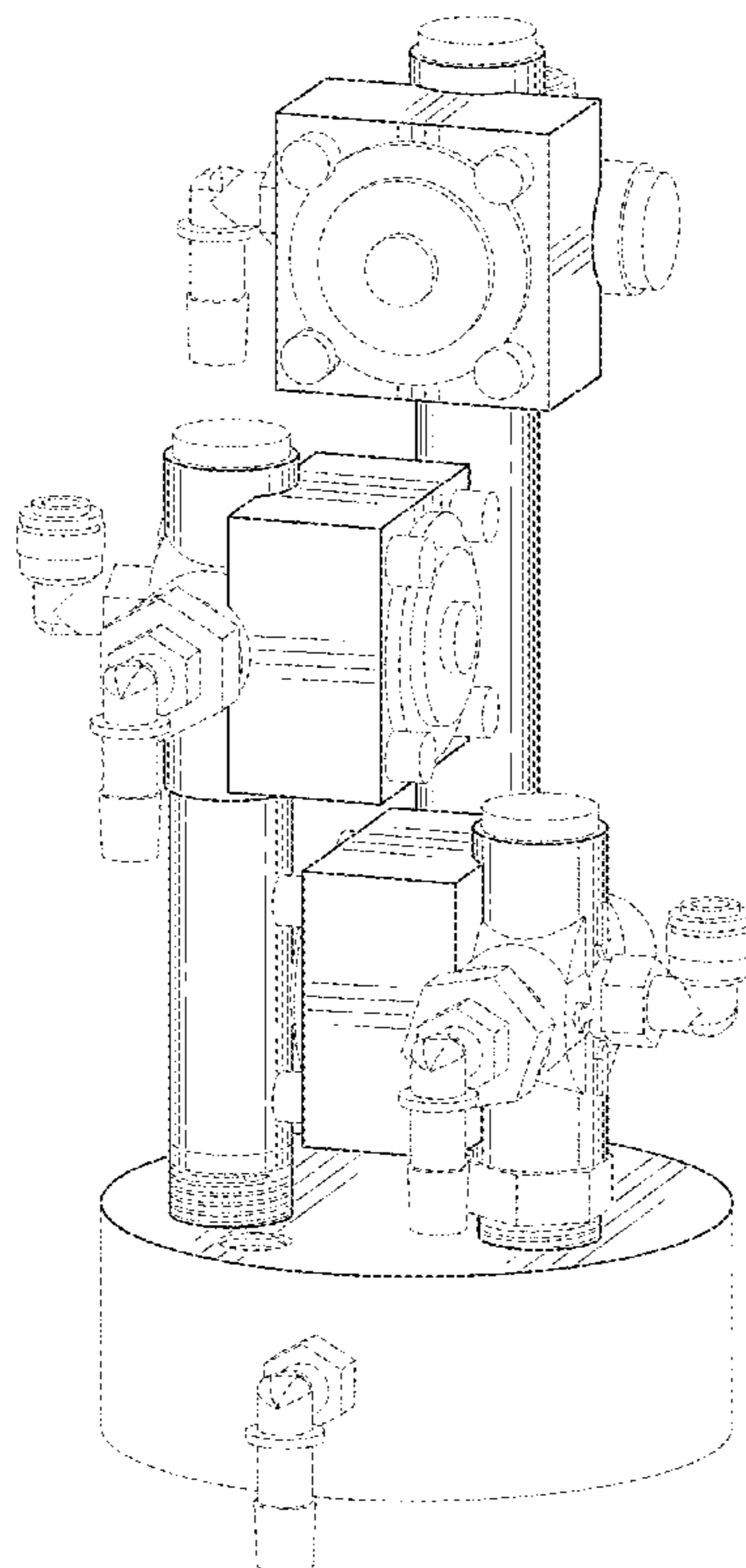
FIG. 1 shows a first perspective view of a supply valve assembly for a hydrant.

FIG. 2 shows a second perspective view of the supply valve assembly for a hydrant of FIG. 1; and,

FIG. 3 shows a top view of the supply valve assembly for a hydrant of FIG. 1.

The broken lines in FIGS. 1-3 illustrate the environment of the supply valve assembly for a hydrant and form no part of the claimed invention.

1 Claim, 3 Drawing Sheets



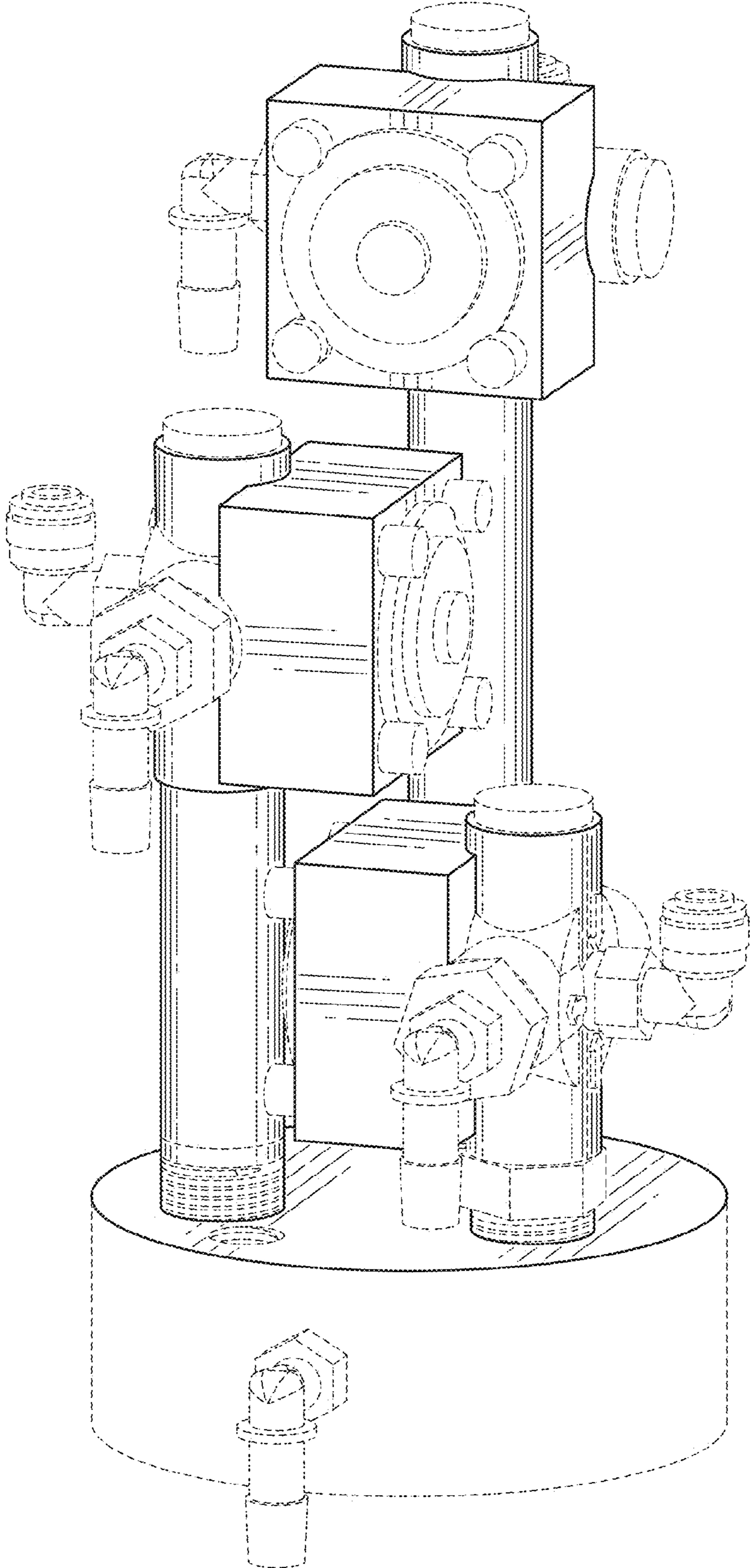


FIG. 1

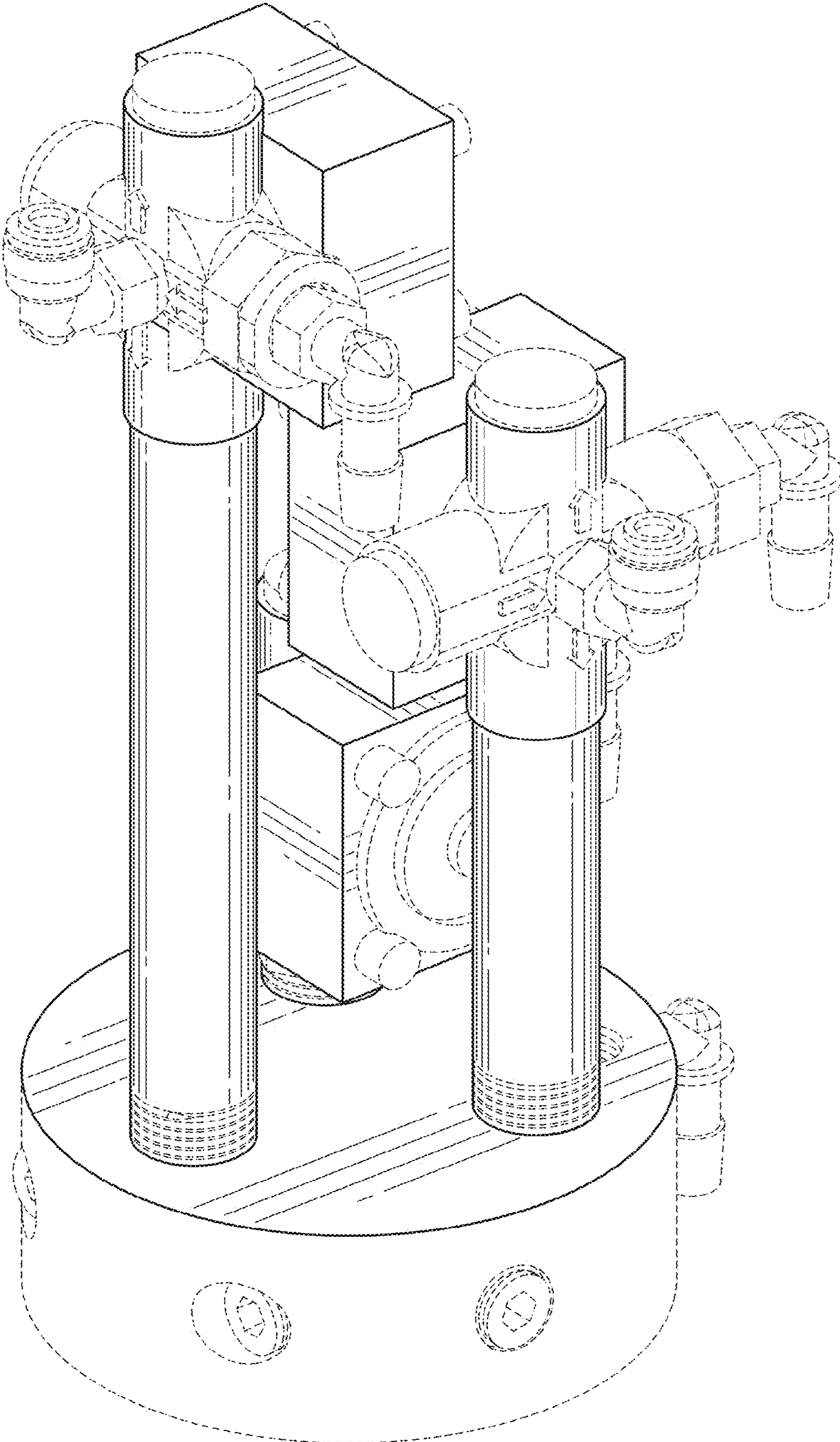


FIG. 2

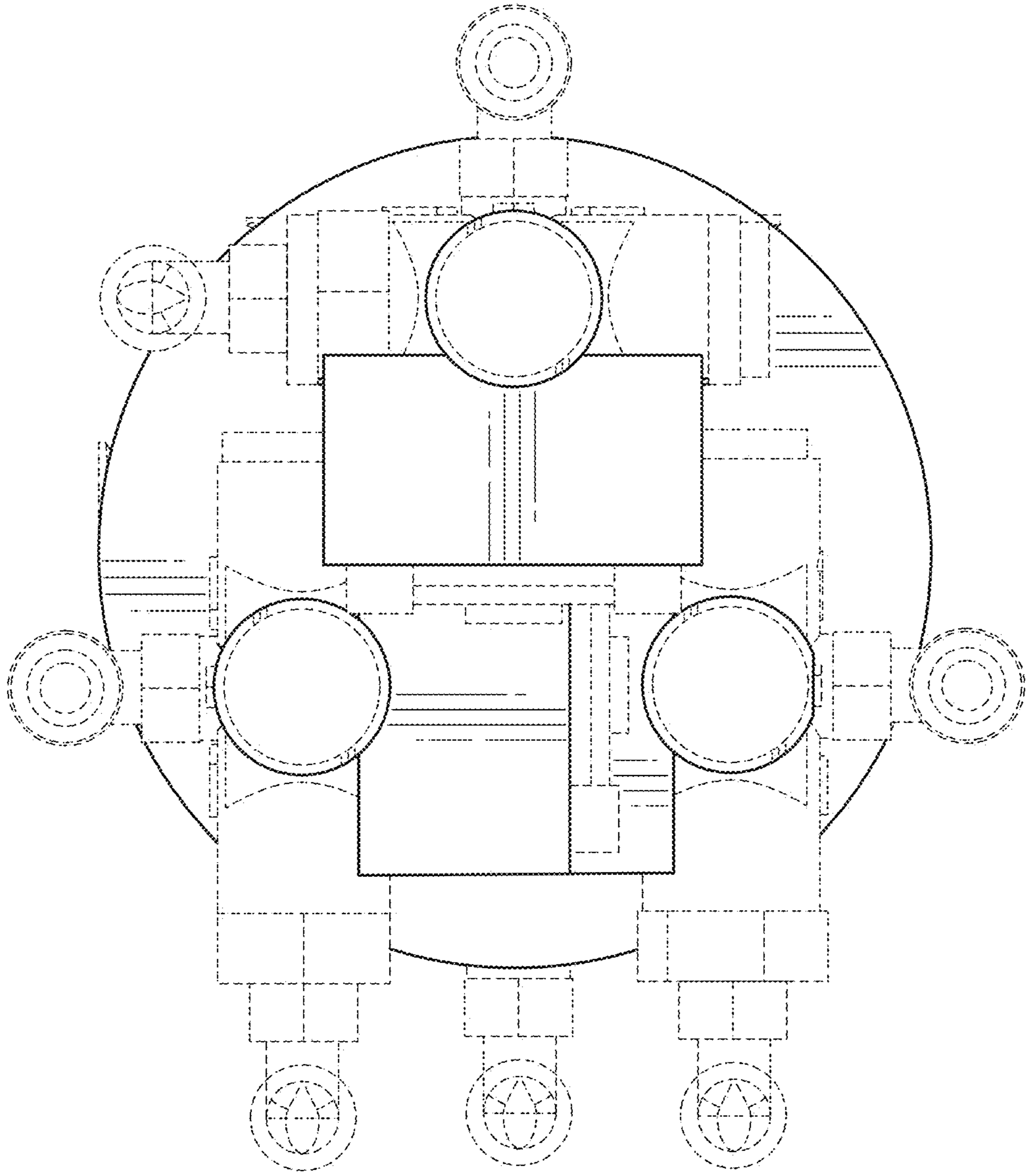


FIG. 3