



US00D952097S

(12) **United States Design Patent**  
**Kang**

(10) **Patent No.:** **US D952,097 S**

(45) **Date of Patent:** **\*\* May 17, 2022**

(54) **PAINT SPRAYING POT LID**

(71) Applicant: **Yuyao Yufeng Scutcheon Plastic Factory, Yuyao (CN)**

(72) Inventor: **Zuze Kang, Yuyao (CN)**

(\*\*) Term: **15 Years**

(21) Appl. No.: **29/753,081**

(22) Filed: **Sep. 30, 2020**

(30) **Foreign Application Priority Data**

Jul. 14, 2020 (CN) ..... 202030379867.9

(51) **LOC (13) Cl.** ..... **23-01**

(52) **U.S. Cl.**  
USPC ..... **D23/202**

(58) **Field of Classification Search**  
USPC ..... D9/435, 439, 440, 442-449, 450, 454,  
D9/531, 682-694, 723, 575; D7/321,  
D7/391, 392, 392.1, 396.2, 507, 509-511,  
D7/523, 608, 900; D6/515; D23/202,  
D23/207, 208, 225

CPC .... B65D 83/205; B65D 83/206; B65D 83/40;  
B65D 2543/00046; A47G 19/2272; B05B  
9/08; B05B 7/2408; B05B 7/2405; B05B  
7/241; B05B 7/2421

See application file for complete search history.

(56) **References Cited**

**U.S. PATENT DOCUMENTS**

- 1,395,965 A \* 11/1921 McLean ..... B05B 7/0012  
222/630
- 2,037,240 A \* 4/1936 Johnson ..... B05B 7/2408  
292/256.65
- 3,083,883 A \* 4/1963 Glidden ..... B05B 7/2408  
222/567
- D200,960 S \* 4/1965 Belnart ..... D23/225
- D217,609 S \* 5/1970 Vicknair ..... D23/303
- 3,942,680 A \* 3/1976 Seeley ..... B05B 7/2408  
220/324
- D474,528 S \* 5/2003 Huang ..... D23/225

- 6,595,441 B2 \* 7/2003 Petrie ..... B05B 7/2478  
239/345
- 7,410,106 B2 \* 8/2008 Escoto, Jr. .... B05B 7/241  
239/347
- D582,767 S \* 12/2008 Batton ..... D9/447

(Continued)

**OTHER PUBLICATIONS**

PPS Cup, Jul. 16, 2016, PPS System Chinese Supplier, URL: <https://medium.com/@aqsiq/pps-system-chinese-supplier-6563a10a36e> (Year: 2016).\*

*Primary Examiner* — Brett Miller  
*Assistant Examiner* — Rani J Abdallah

(57) **CLAIM**

The ornamental design for a paint spraying pot lid, as shown and described.

**DESCRIPTION**

FIG. 1 is a front and top perspective view of a paint spraying pot lid, showing my new design;  
 FIG. 2 is a rear and bottom perspective view thereof;  
 FIG. 3 is a front elevational view thereof;  
 FIG. 4 is a rear elevational view thereof;  
 FIG. 5 is a left side elevational view thereof;  
 FIG. 6 is a right side elevational view thereof;  
 FIG. 7 is a top plan view thereof;  
 FIG. 8 is a bottom plan view thereof;  
 FIG. 9 is an enlarged view of a portion labeled, 'FIG. 9' in FIG. 1; and,  
 FIG. 10 is an enlarged view of a portion labeled, 'FIG. 10' in FIG. 2.  
 The dash dot dash lines in FIGS. 1, 2, 9 and 10 are for the purpose of depicting the cut line of the enlarged view and form no part of the claim. The dashed broken lines in the figures illustrate portions of the article that form no part of the claimed design.

**1 Claim, 10 Drawing Sheets**

FIG. 9

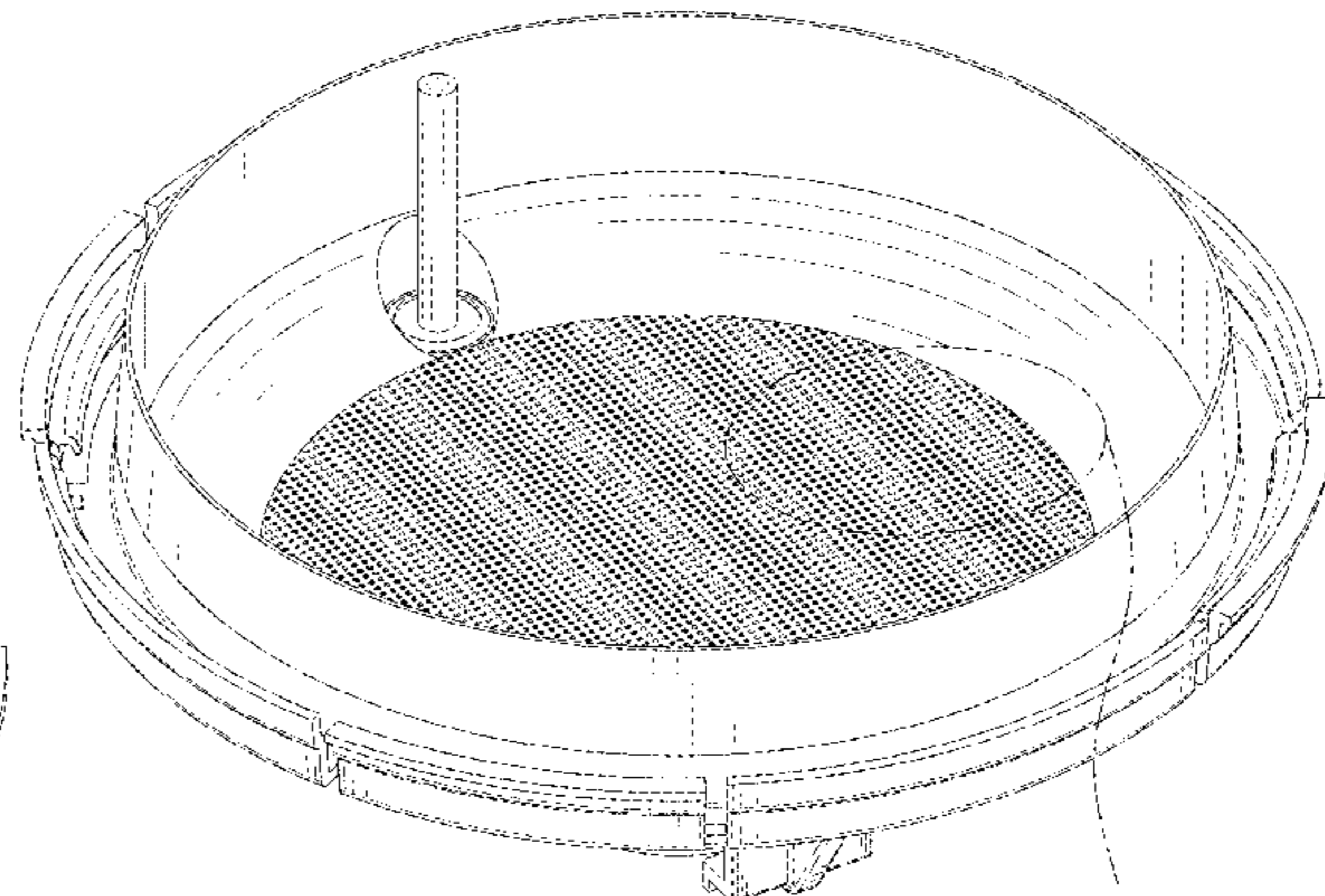
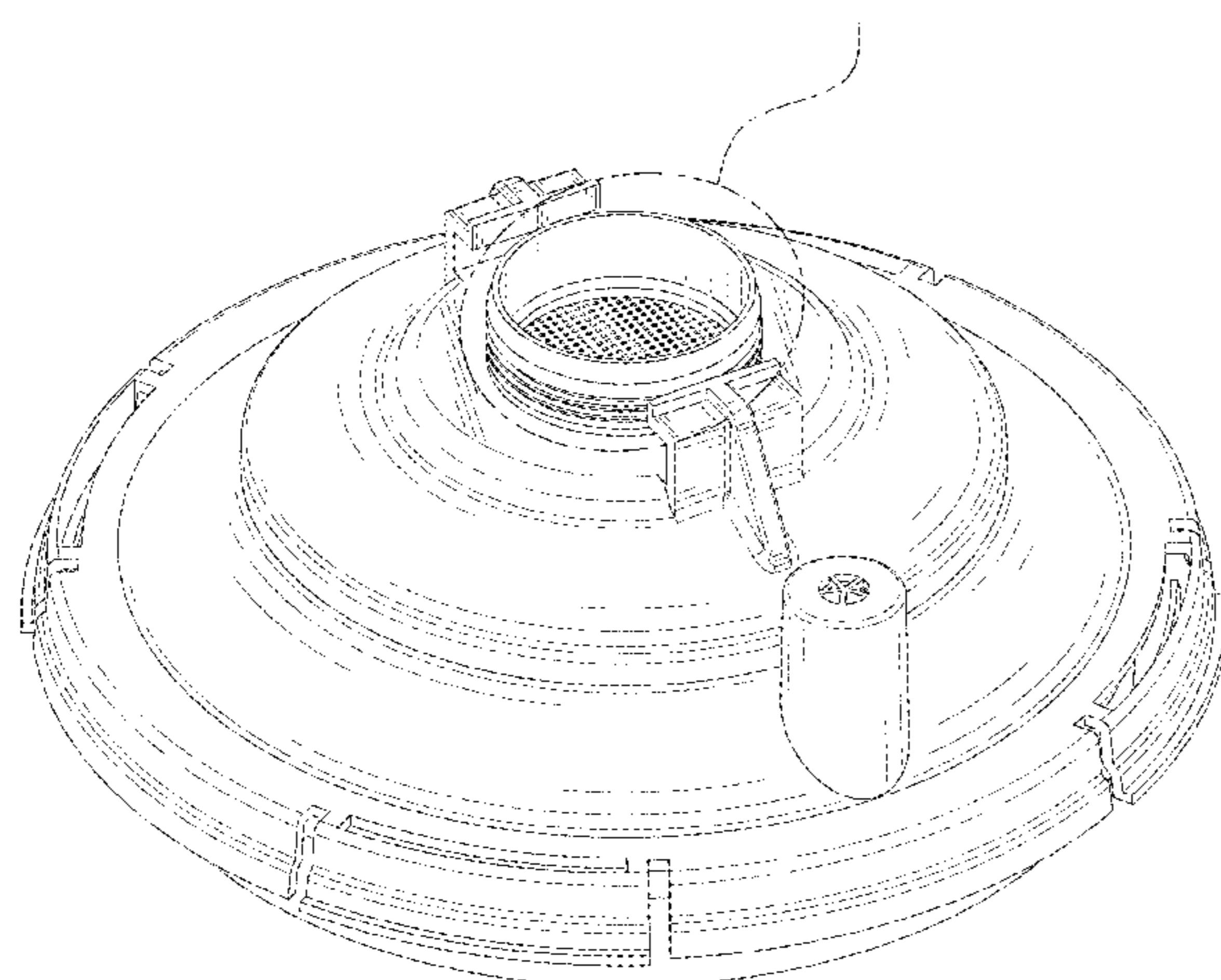


FIG. 10

(56)

References Cited

U.S. PATENT DOCUMENTS

D642,863 S \* 8/2011 Tobias ..... D7/510  
 D692,530 S \* 10/2013 Gehrung ..... D23/225  
 D697,583 S \* 1/2014 Schmon ..... D23/225  
 D751,394 S \* 3/2016 Chartier ..... D9/440  
 D793,530 S \* 8/2017 Hegdahl ..... D23/225  
 D840,801 S \* 2/2019 Yajko, Jr. .... D9/447  
 D916,231 S \* 4/2021 Xiao ..... D23/202  
 D916,232 S \* 4/2021 Xiao ..... D23/202  
 D918,340 S \* 5/2021 Zheng ..... D23/225  
 D937,968 S \* 12/2021 Hegdahl ..... D23/209  
 2006/0102550 A1 \* 5/2006 Joseph ..... B05B 7/2408  
 210/464  
 2006/0196891 A1 \* 9/2006 Gerson ..... B05B 7/2408  
 222/386.5  
 2008/0011879 A1 \* 1/2008 Gerson ..... B05B 7/2478  
 239/337  
 2008/0223087 A1 \* 9/2008 Veldman ..... D06F 19/00  
 68/171  
 2010/0288772 A1 \* 11/2010 Wambeke ..... B05B 7/2408  
 220/373  
 2011/0174901 A1 \* 7/2011 Dettlaff ..... B05B 7/2478  
 239/345

2012/0000992 A1 \* 1/2012 Shih ..... B05B 7/2408  
 239/302  
 2012/0273583 A1 \* 11/2012 Gerson ..... B05B 7/2481  
 239/1  
 2012/0280062 A1 \* 11/2012 Pellegrino ..... B05B 7/2408  
 239/302  
 2013/0221130 A1 \* 8/2013 Joseph ..... B05B 7/2478  
 239/340  
 2014/0103143 A1 \* 4/2014 Lin ..... B05B 7/2478  
 239/379  
 2014/0203098 A1 \* 7/2014 Bierie ..... B05B 7/2478  
 239/1  
 2015/0108135 A1 \* 4/2015 Hanna ..... B05B 7/2408  
 220/495.06  
 2016/0052002 A1 \* 2/2016 Schulz ..... B05B 7/2408  
 239/302  
 2016/0303594 A1 \* 10/2016 Nyaribo ..... B05B 7/2408  
 2017/0203887 A1 \* 7/2017 Hegdahl ..... B05B 7/2481  
 2019/0009289 A1 \* 1/2019 Pitera ..... B05B 7/2408  
 2019/0009290 A1 \* 1/2019 Hegdahl ..... B05B 7/2478  
 2019/0176174 A1 \* 6/2019 Ebertowski ..... B05B 7/2408  
 2020/0346824 A1 \* 11/2020 Smitshoek ..... B05B 7/2408  
 2021/0039122 A1 \* 2/2021 Hegdahl ..... B05B 7/2478  
 2021/0078024 A1 \* 3/2021 Hegdahl ..... B05B 7/2478

\* cited by examiner

FIG. 9

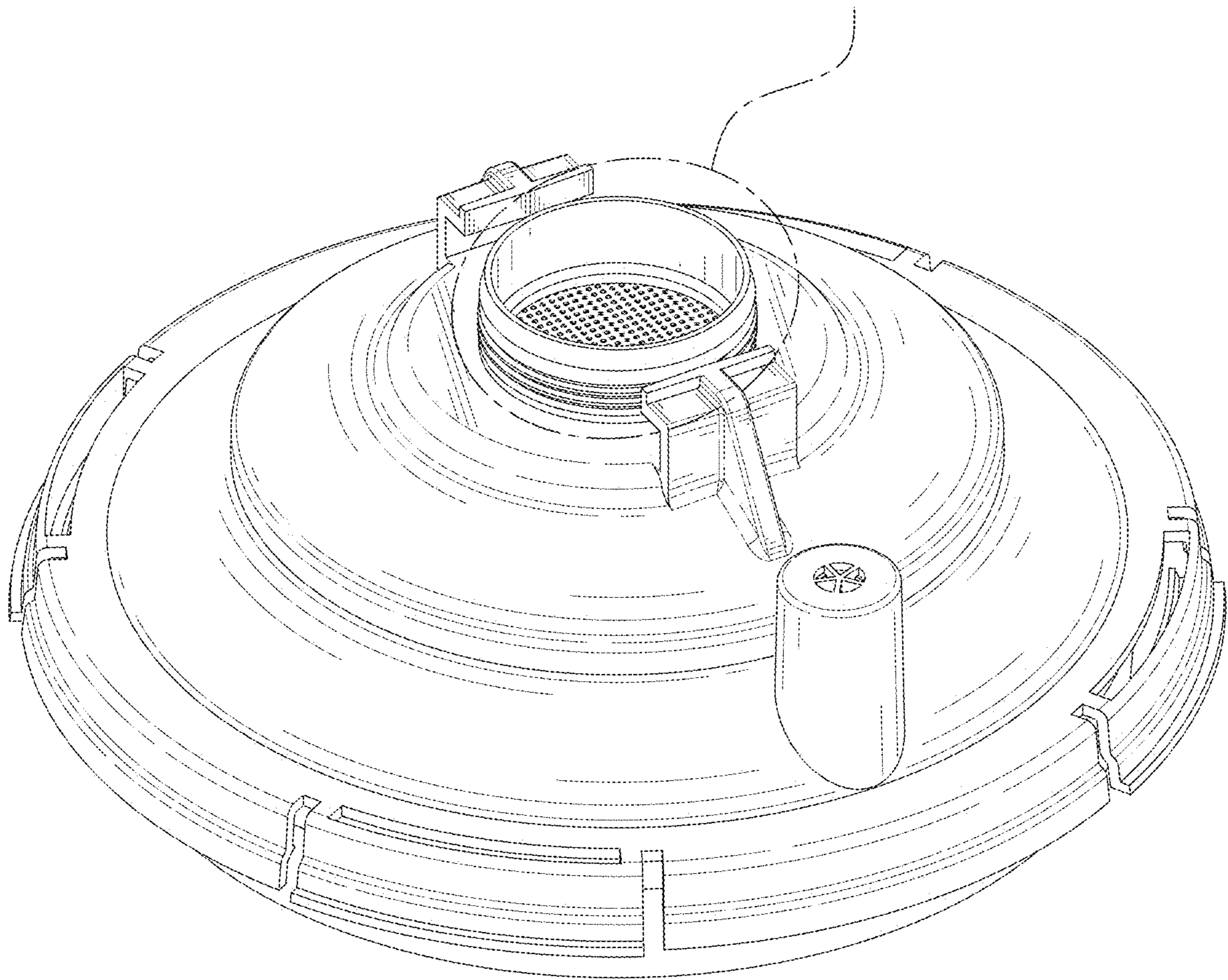


FIG. 1

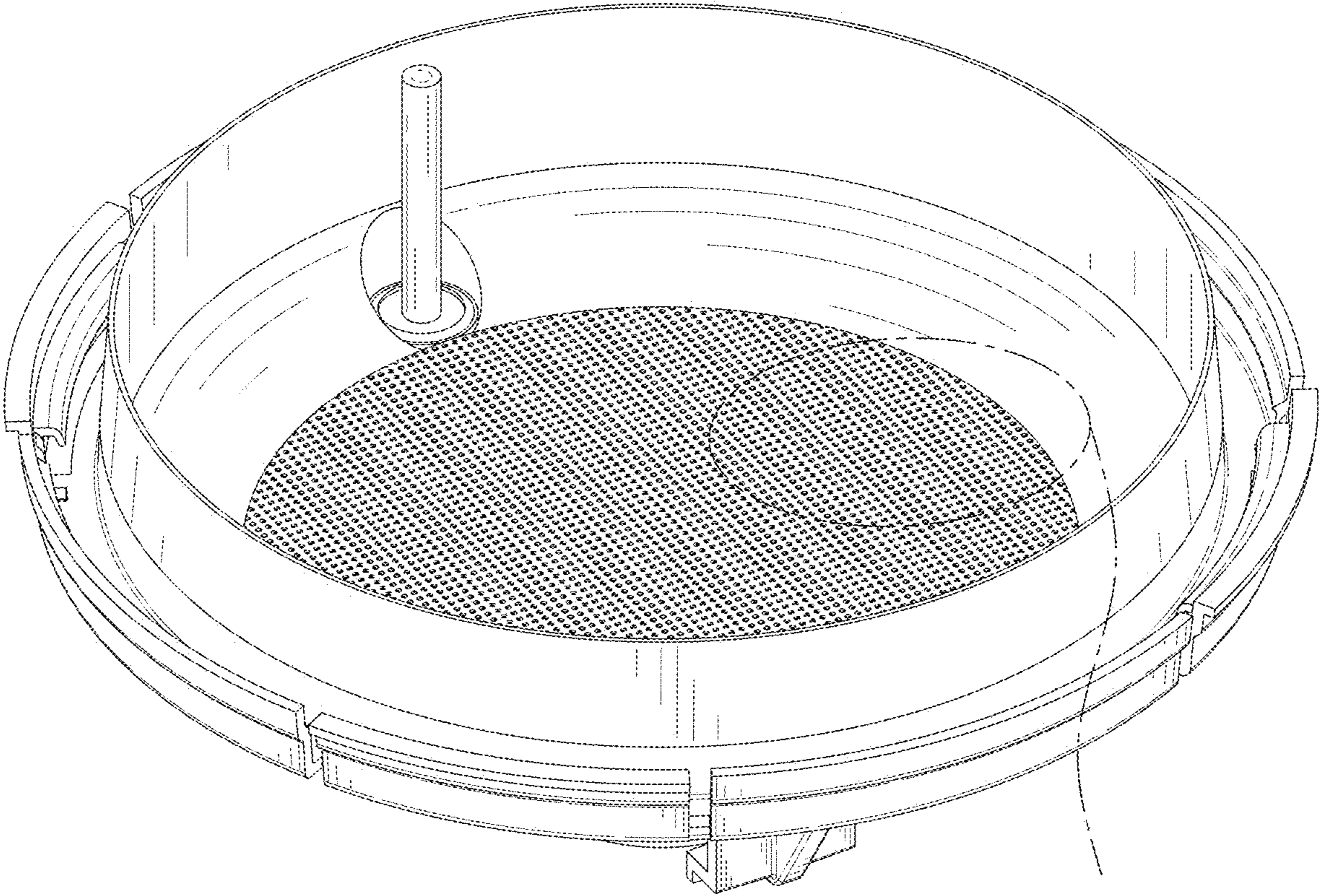


FIG. 10

FIG. 2

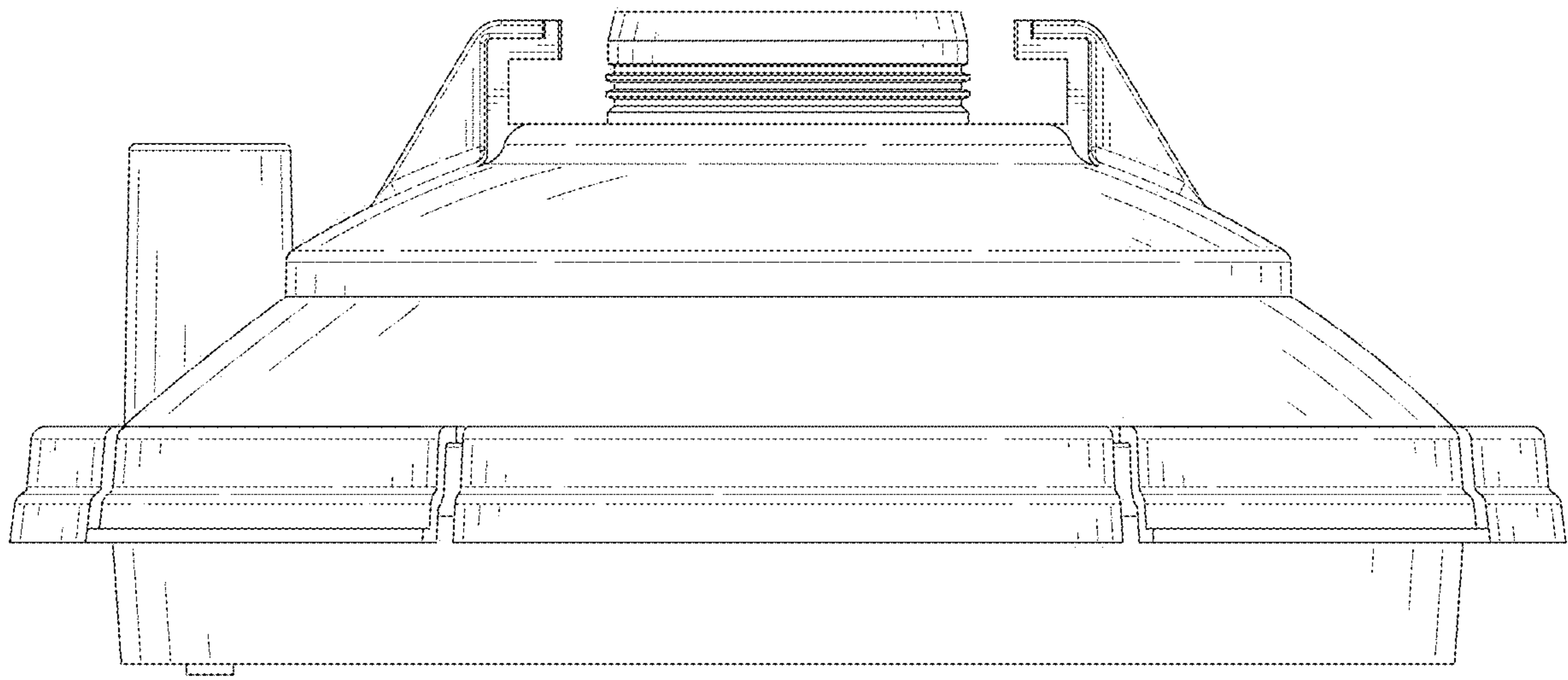


FIG. 3

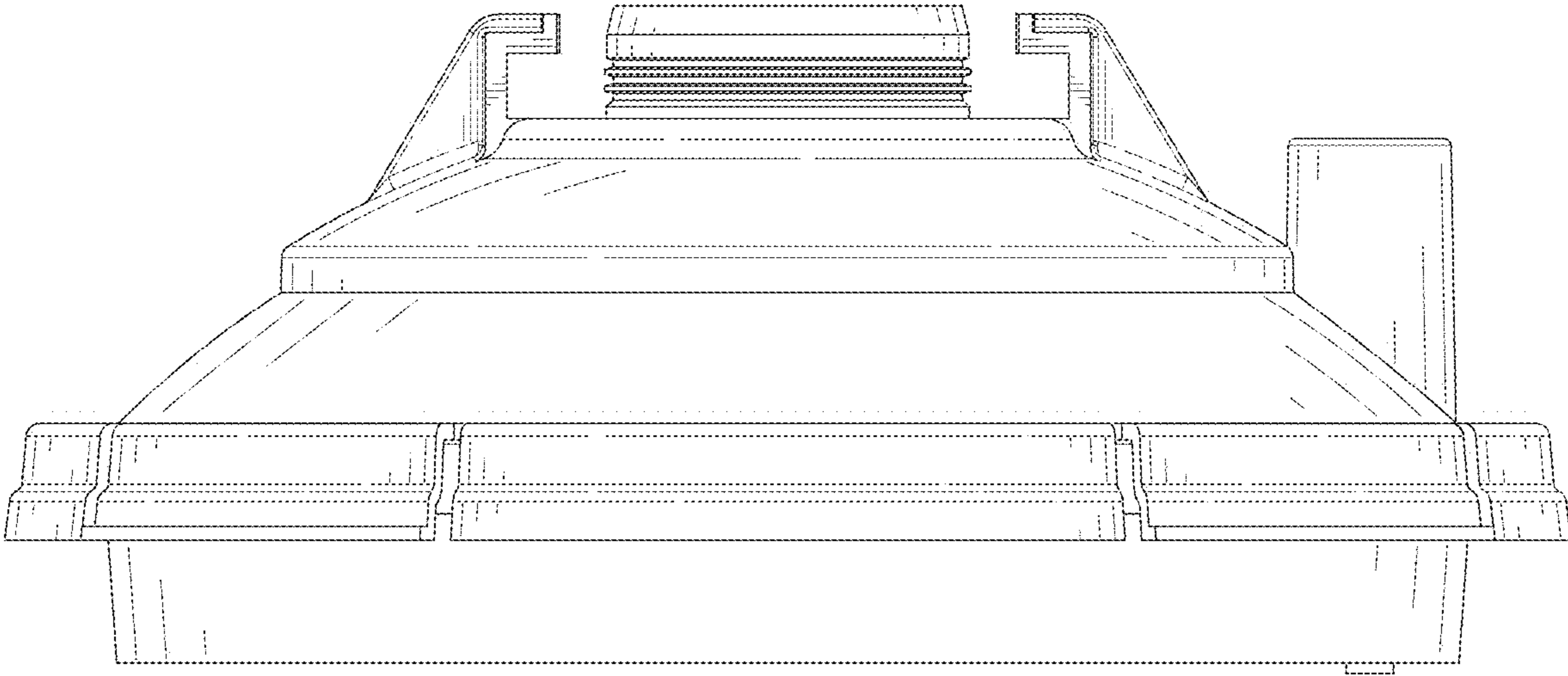


FIG. 4

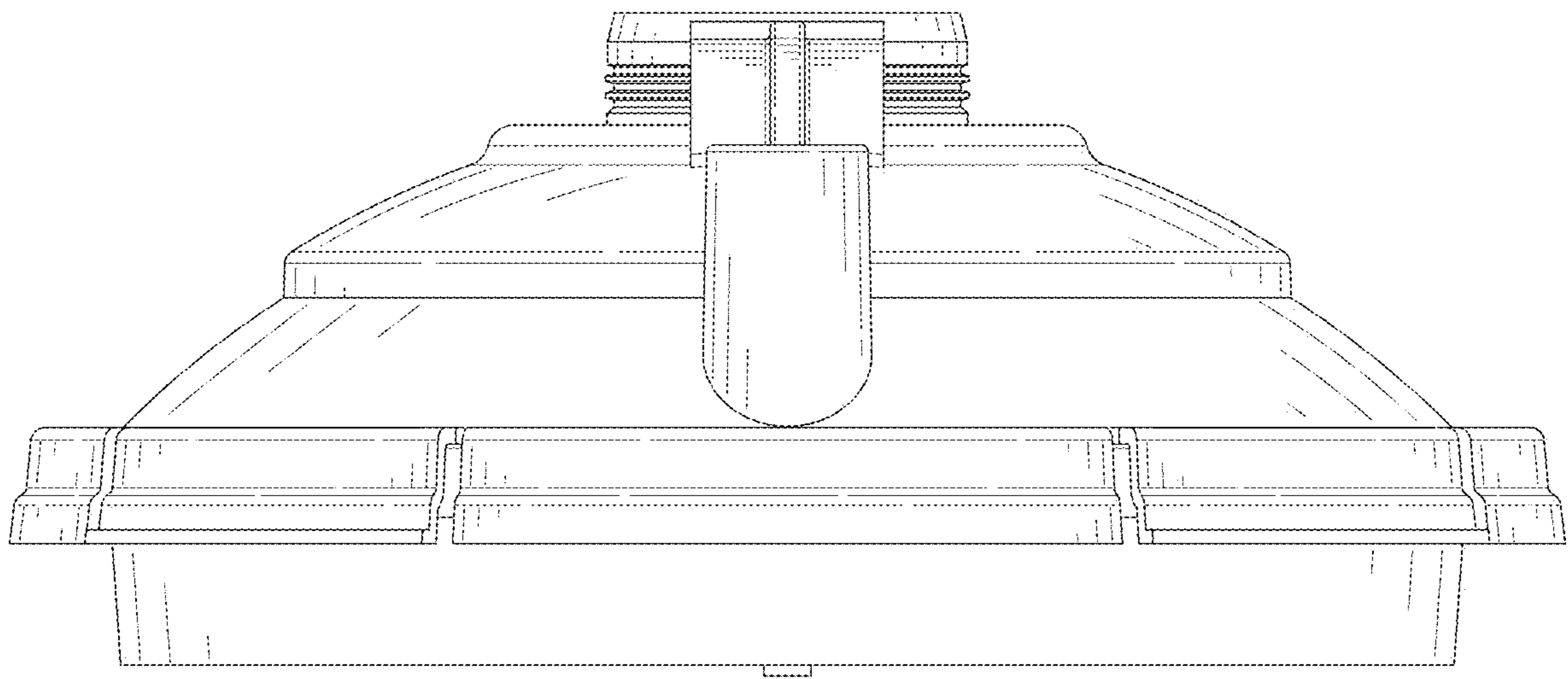


FIG. 5

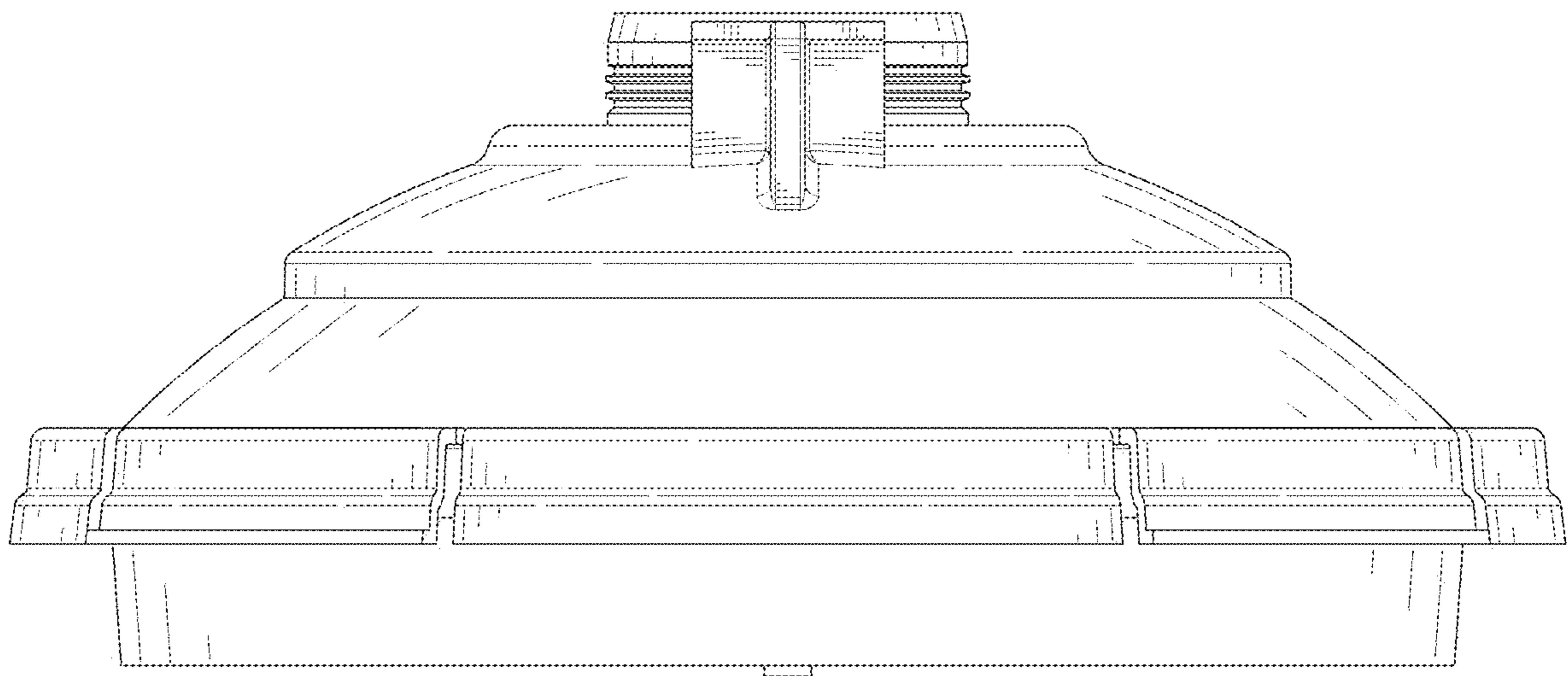


FIG. 6



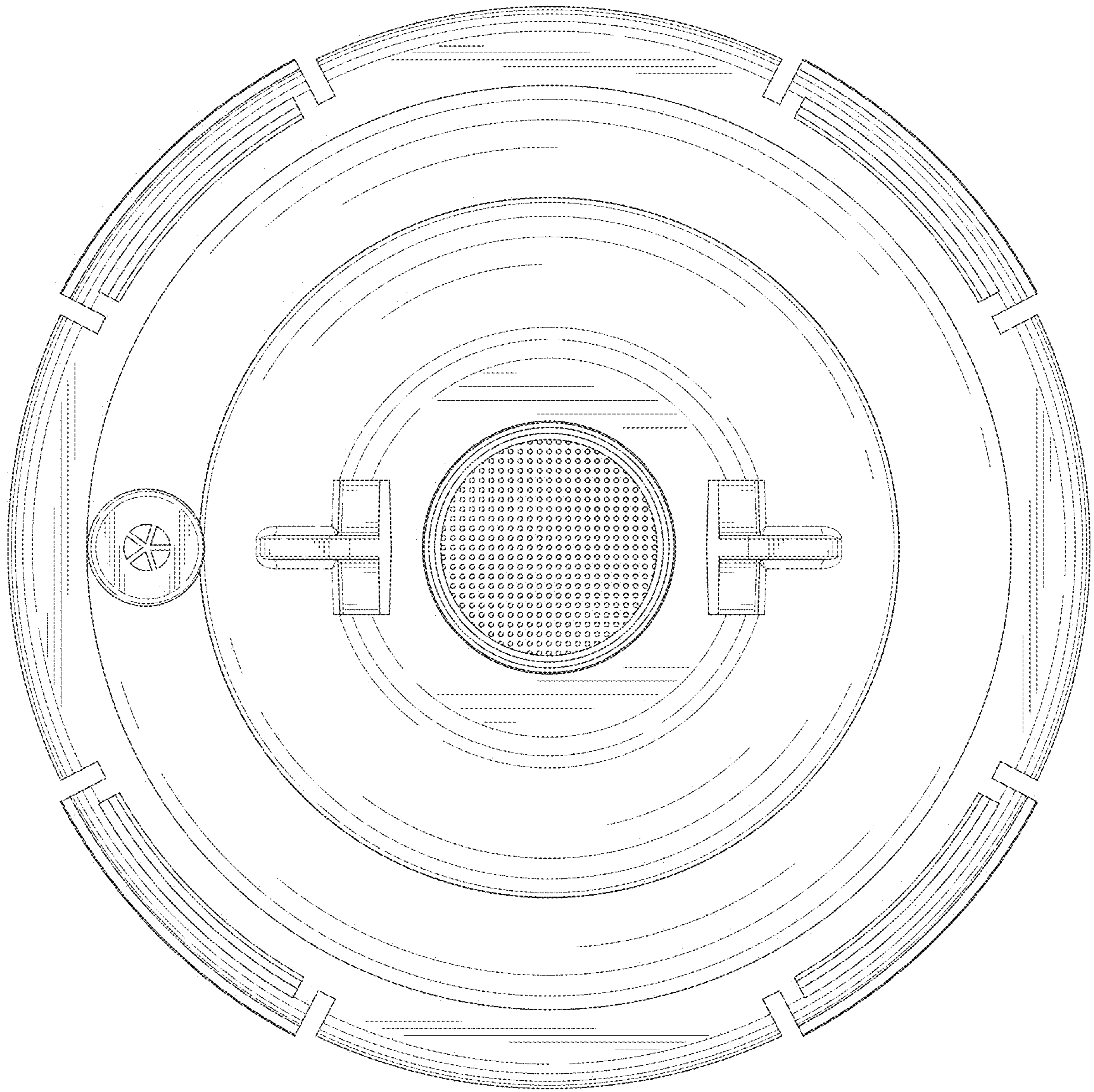


FIG. 7

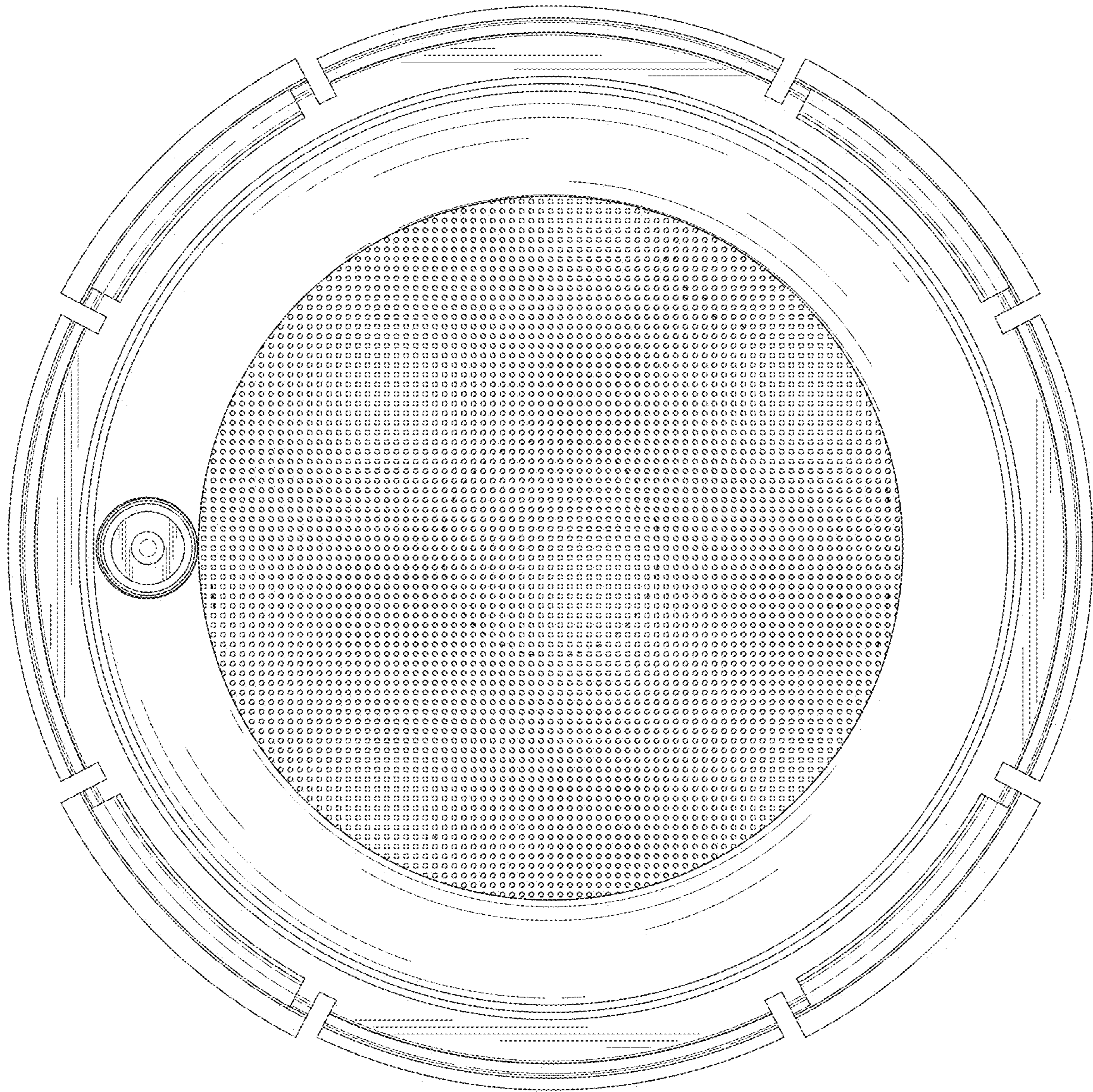


FIG. 8

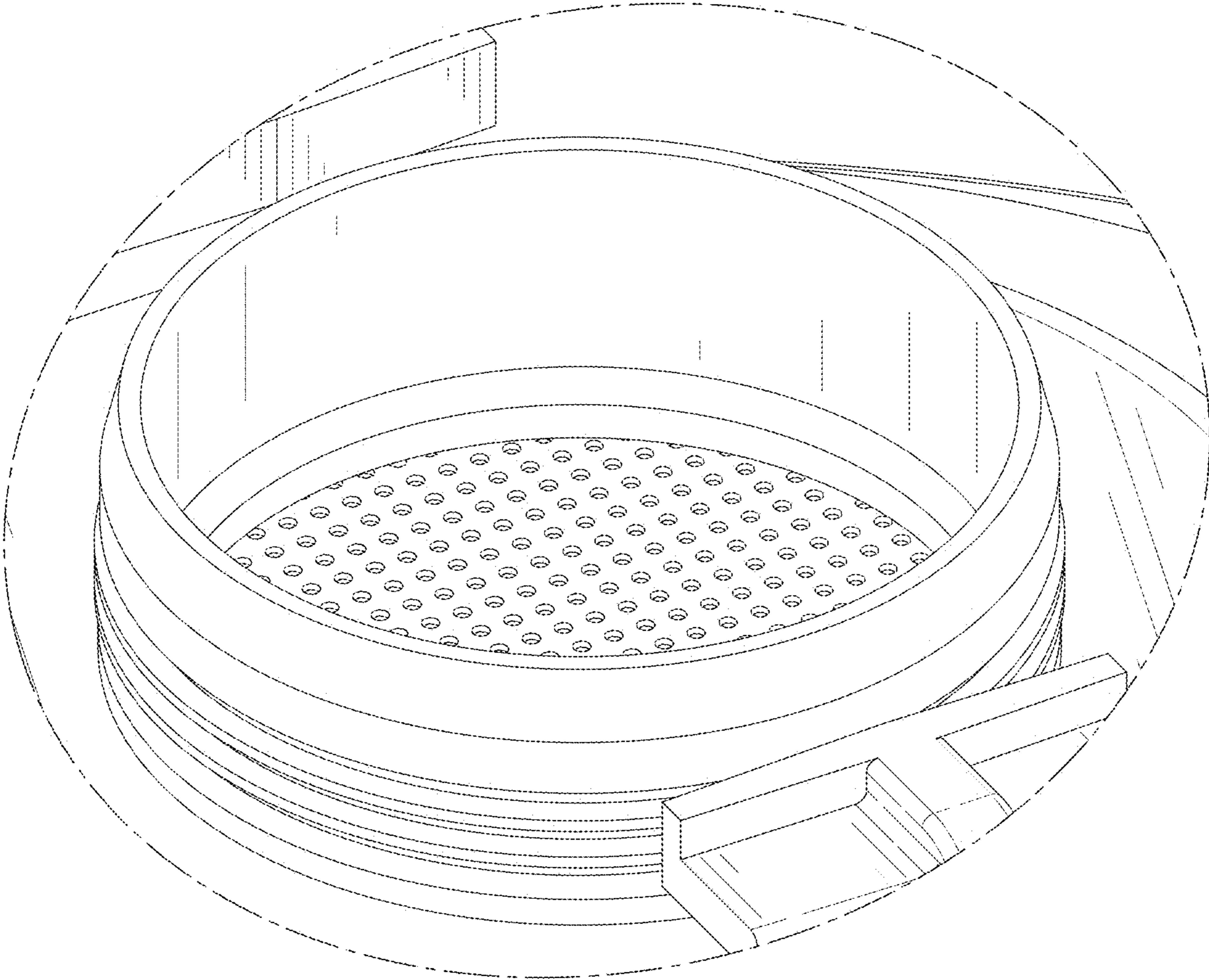


FIG. 9

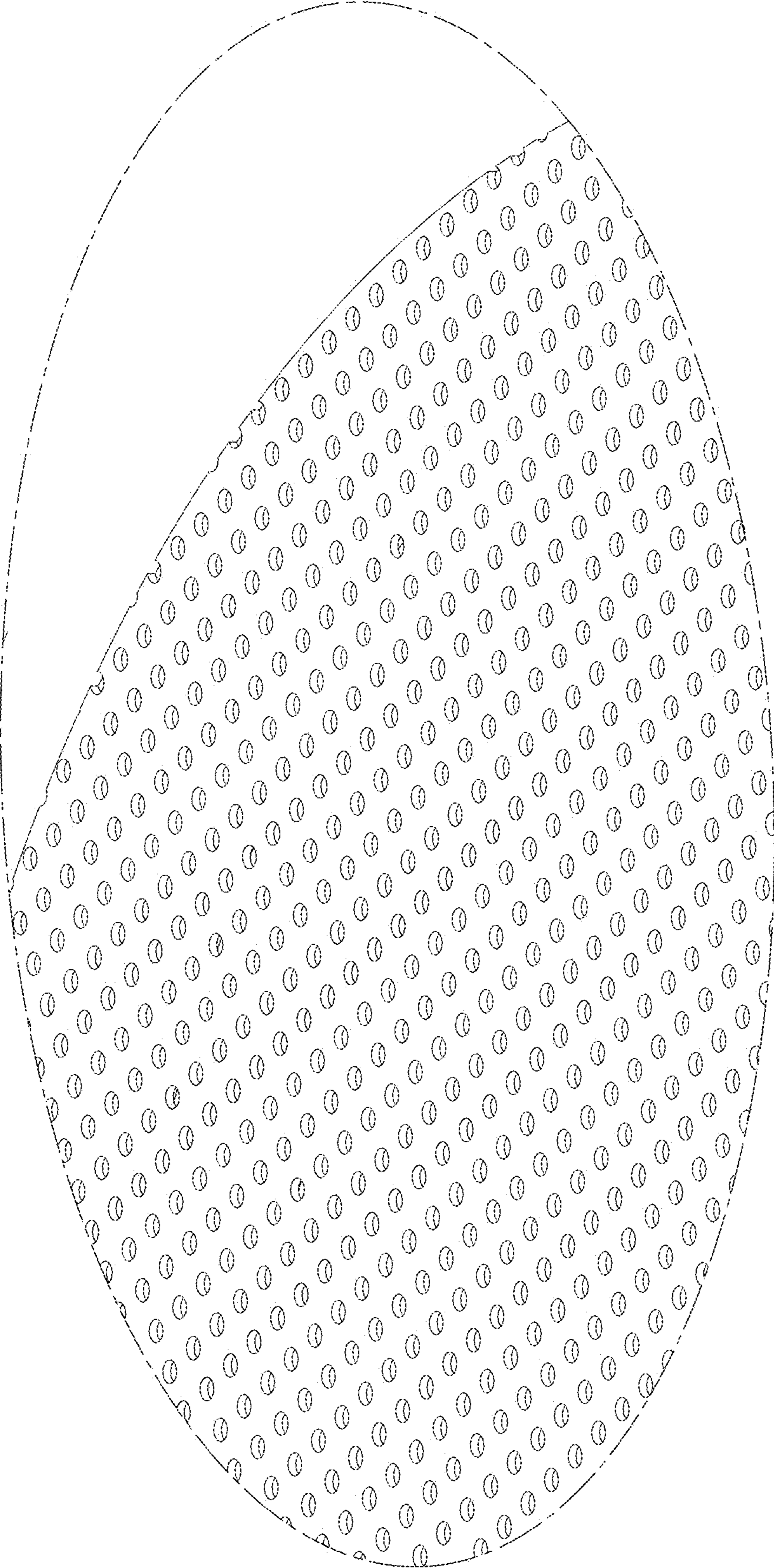


FIG. 10