



US00D952095S

(12) **United States Design Patent**
Dixon et al.

(10) **Patent No.:** **US D952,095 S**
(45) **Date of Patent:** **** May 17, 2022**

- (54) **MAGAZINE CAP**
- (71) Applicant: **Rhino Chokes & Gun Works, LLC**,
Clearwater, FL (US)
- (72) Inventors: **Thomas Dixon**, Clearwater, FL (US);
Matthew Dixon, Clearwater, FL (US)
- (73) Assignee: **Rhino Chokes & Gun Works, LLC**,
Clearwater, FL (US)
- (**) Term: **15 Years**
- (21) Appl. No.: **29/767,419**
- (22) Filed: **Jan. 22, 2021**
- (51) **LOC (13) Cl.** **22-01**
- (52) **U.S. Cl.**
USPC **D22/108**
- (58) **Field of Classification Search**
USPC D22/100, 103, 108, 109, 110, 199;
D16/130
CPC . F41G 11/003; F41G 1/14; F41G 1/38; F41G
1/16; F41G 1/02; F41G 1/06; F41A
23/005; F41C 23/16
See application file for complete search history.

(56) **References Cited**

U.S. PATENT DOCUMENTS

2,620,581	A *	12/1952	Fiorini	F41A 9/72 42/49.01
4,310,982	A *	1/1982	Kast	F41A 9/72 42/75.02
4,912,868	A *	4/1990	Thompson	F41C 9/08 42/51
5,303,859	A *	4/1994	Jenkin	F41C 23/02 224/664
D478,146	S *	8/2003	Wygant	D22/108
6,722,076	B2 *	4/2004	Nielsen	F41G 1/35 362/110
7,062,875	B1 *	6/2006	Stevens	F41A 11/00 42/77

8,418,393	B1 *	4/2013	Powers	F41A 9/72 42/106
9,080,833	B1 *	7/2015	Williford	F41G 1/35
9,080,834	B1 *	7/2015	Williford	F41A 9/72
9,080,835	B1 *	7/2015	Williford	F41A 9/72
9,080,836	B1 *	7/2015	Williford	F41G 11/001
9,175,924	B1 *	11/2015	Williford	F41G 1/345
D792,549	S *	7/2017	McKillips	D22/108
D860,372	S *	9/2019	Riley	D22/108

(Continued)

OTHER PUBLICATIONS

“Installing a Shotgun Mag Extension” [online]. Dr. John Woods. [Published on Dec. 20, 2016], Retrieved from the Internet: <<https://www.alloutdoor.com/2016/12/20/installing-shotgun-mag-extension/>>.*

(Continued)

Primary Examiner — Mojtaba Tehrani

(74) *Attorney, Agent, or Firm* — Larson & Larson, P.A.;
Justin P. Miller; Frank Liebenow

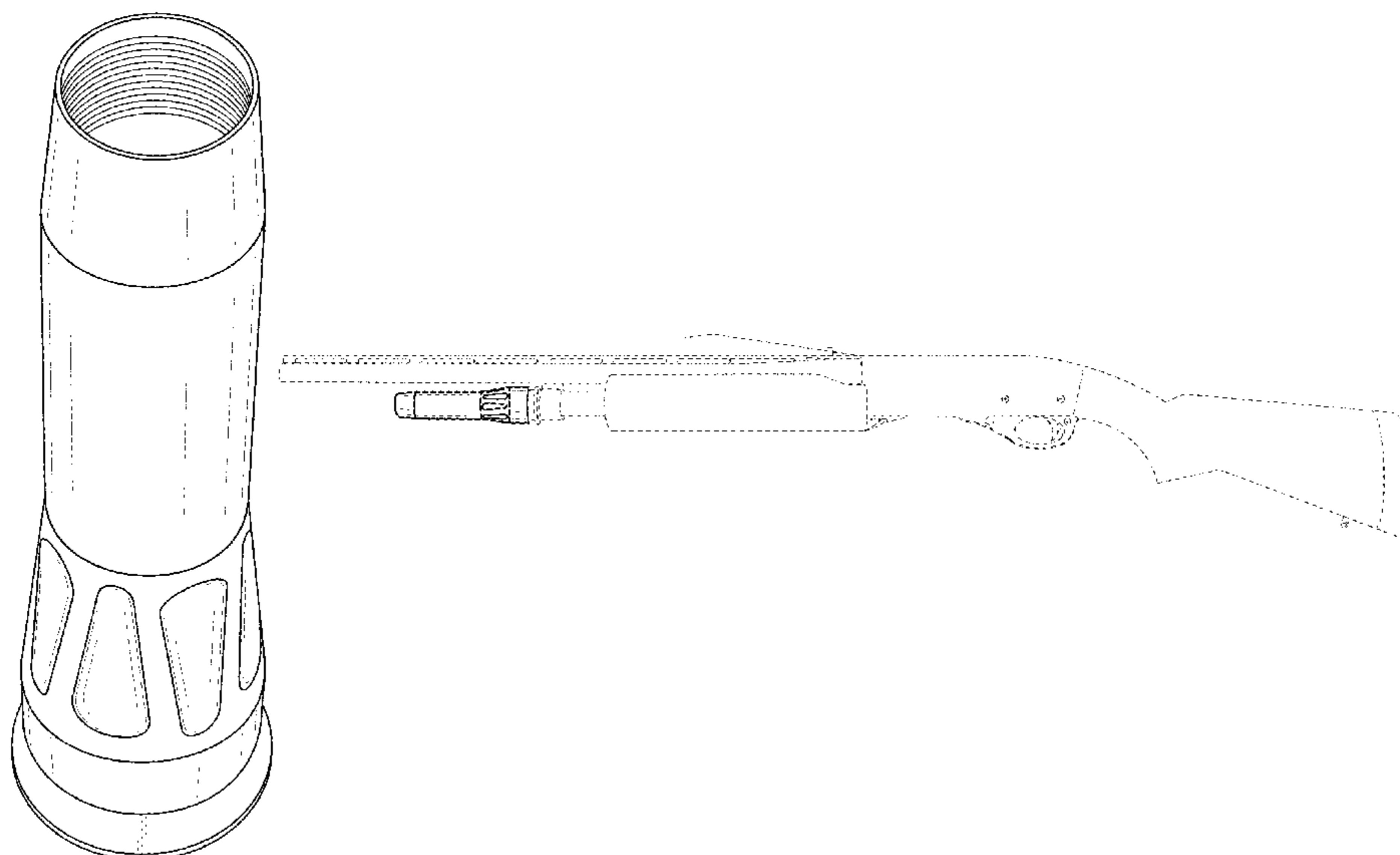
(57) **CLAIM**

We claim the ornamental design for a magazine cap, as shown and described.

DESCRIPTION

FIG. 1 is a perspective view of a magazine cap showing our new design;
 FIG. 2 is a second perspective view thereof;
 FIG. 3 is a right-side elevation view thereof, the left-side, front, and back being identical;
 FIG. 4 is a top plan view thereof;
 FIG. 5 is a bottom plan view thereof; and,
 FIG. 6 is a perspective view of the magazine cap attached to the firearm.
 The broken lines showing portions of the firearm are included for the purpose of illustrating environmental structure and form no part of the claimed design.

1 Claim, 6 Drawing Sheets



(56)

References Cited

U.S. PATENT DOCUMENTS

10,563,957 B1 * 2/2020 Hamilton F41G 1/35
2004/0045209 A1 * 3/2004 Nielsen F41G 1/35
42/146

OTHER PUBLICATIONS

“Magazine Extension Basic Kit—Stoeger” [online], moaprecisionllc.com. Retrieved from the Internet: <<https://moaprecisionllc.com/product/magazine-extension-performance-kit-stoeger-copy/#configuration>> (Year: 2022).*

“New Shotgun Magazine Tube Mounted Light Concept from Holosun” [online]. Matt. [Published on Jan. 4, 2018], Retrieved from the Internet: <<https://jerkthetrigger.com/2018/01/04/new-shotgun-magazine-tube-mounted-light-concept-from-holosun/>>.*

* cited by examiner

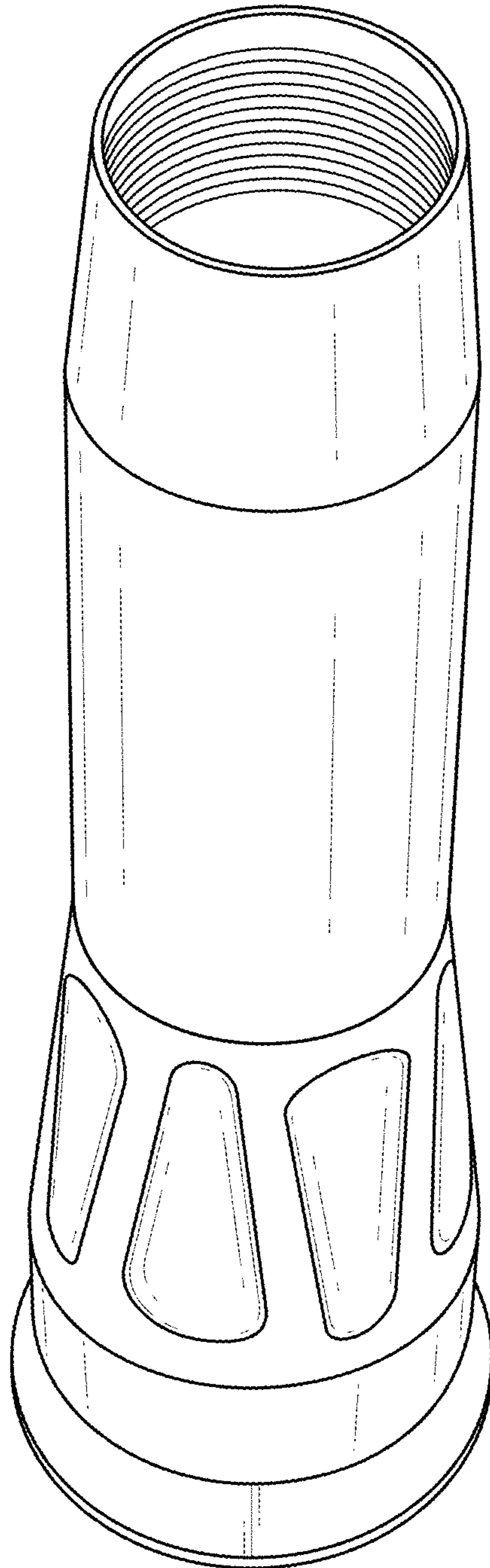


FIG. 1

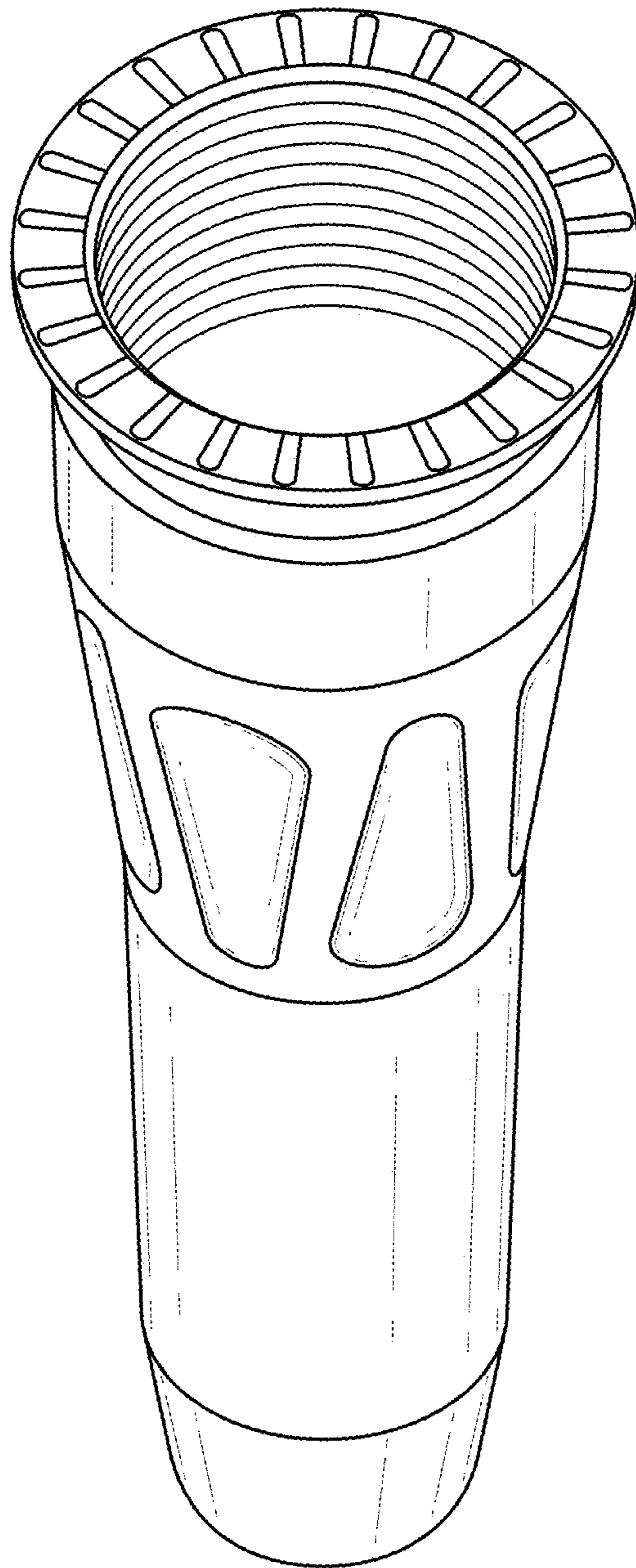


FIG. 2

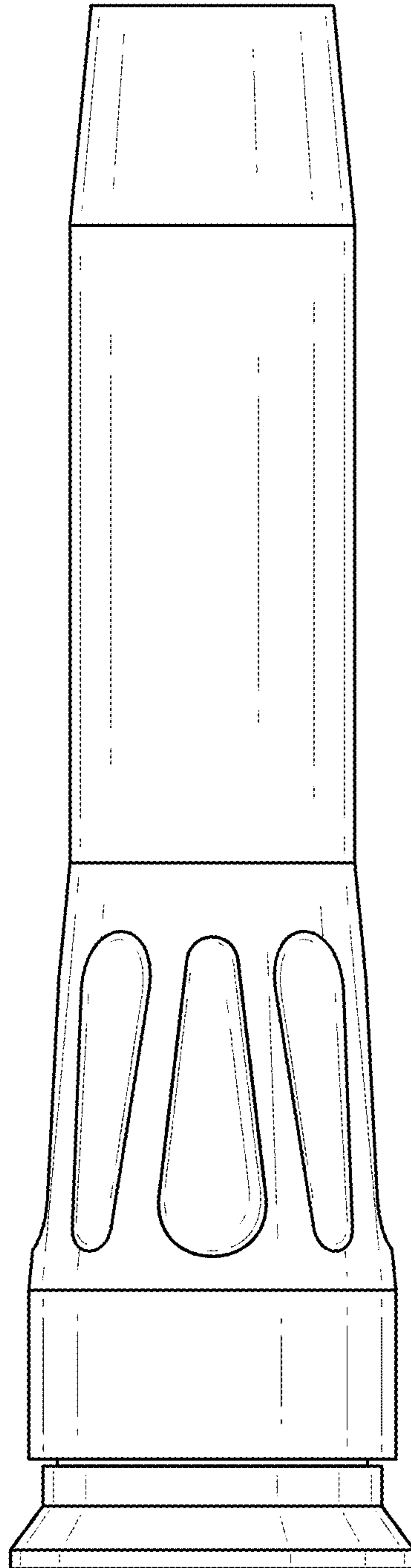


FIG. 3

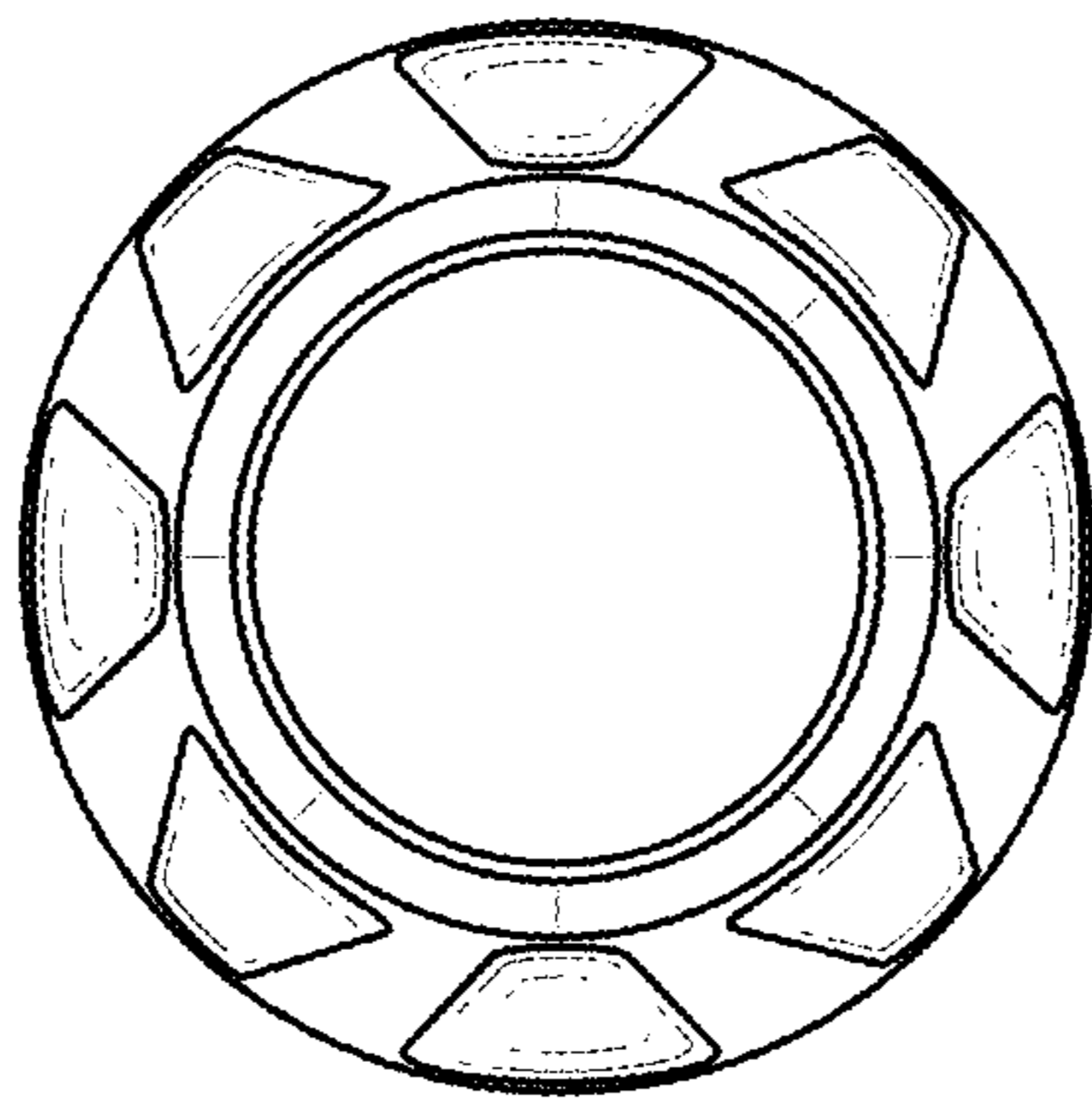


FIG. 4

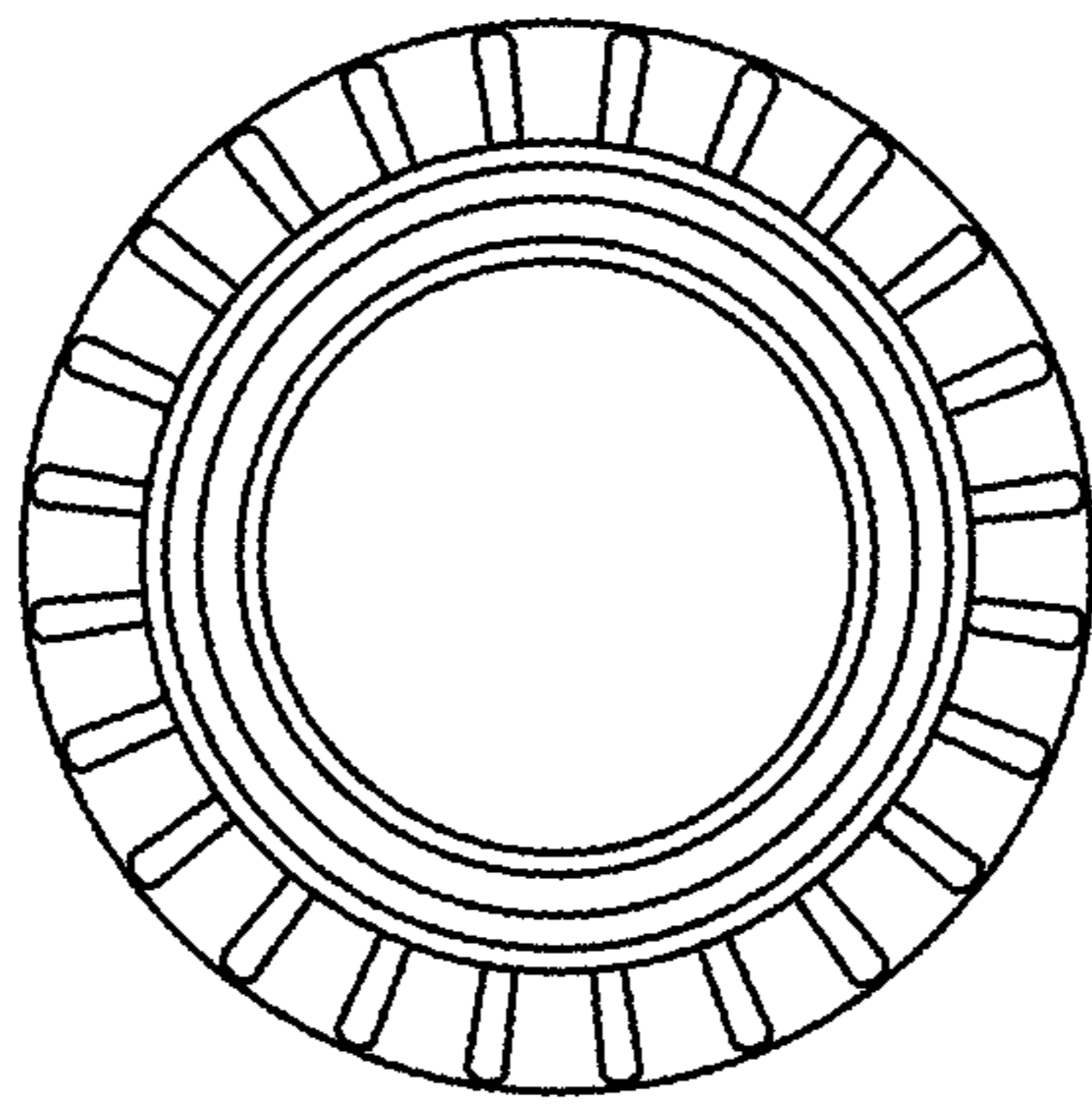


FIG. 5

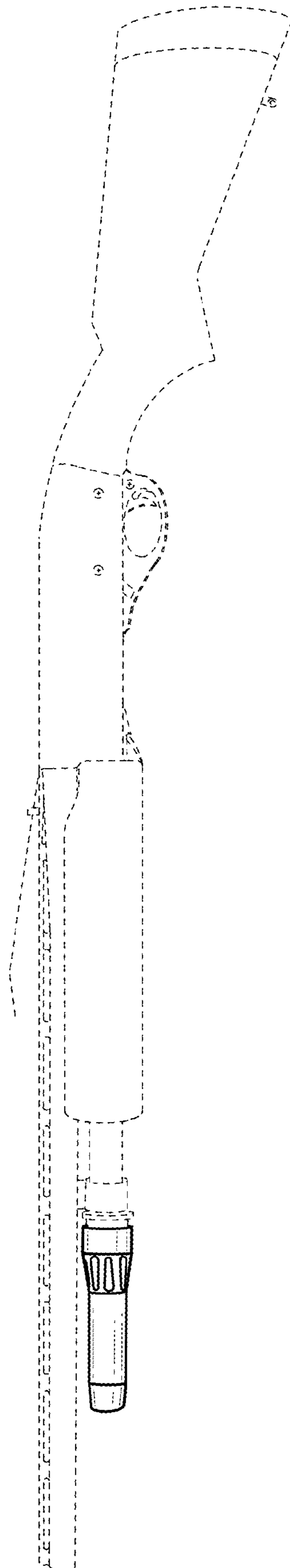


FIG. 6