



US00D952094S

(12) **United States Design Patent** (10) **Patent No.:** **US D952,094 S**
Dixon et al. (45) **Date of Patent:** **** May 17, 2022**

(54) **MAGAZINE CAP WITH SLING LOOP**
(71) Applicant: **Rhino Chokes & Gun Works, LLC**,
Clearwater, FL (US)
(72) Inventors: **Thomas Dixon**, Clearwater, FL (US);
Matthew Dixon, Clearwater, FL (US)
(73) Assignee: **Rhino Chokes & Gun Works, LLC**,
Clearwater, FL (US)
(**) Term: **15 Years**
(21) Appl. No.: **29/767,417**
(22) Filed: **Jan. 22, 2021**
(51) **LOC (13) Cl.** **22-01**
(52) **U.S. Cl.**
USPC **D22/108**
(58) **Field of Classification Search**
USPC D22/100, 103, 108, 109, 110, 199;
D16/130
CPC . F41G 11/003; F41G 1/14; F41G 1/38; F41G
1/16; F41G 1/02; F41G 1/06; F41A
23/005; F41C 23/16
See application file for complete search history.

(56) **References Cited**
U.S. PATENT DOCUMENTS
2,620,581 A * 12/1952 Fiorini F41A 9/72
42/49.01
4,310,982 A * 1/1982 Kast F41A 9/72
42/75.02
4,912,868 A * 4/1990 Thompson F41C 9/08
42/51
5,303,859 A * 4/1994 Jenkin F41C 23/02
224/664
D478,146 S * 8/2003 Wygant D22/108
6,722,076 B2 * 4/2004 Nielsen F41G 1/35
362/110
7,062,875 B1 * 6/2006 Stevens F41A 11/00
42/77

8,418,393 B1 * 4/2013 Powers F41A 9/72
42/106
9,080,833 B1 * 7/2015 Williford F41G 1/35
9,080,834 B1 * 7/2015 Williford F41A 9/72
9,080,835 B1 * 7/2015 Williford F41A 9/72
9,080,836 B1 * 7/2015 Williford F41G 11/001
9,175,924 B1 * 11/2015 Williford F41G 1/345
D792,549 S * 7/2017 McKillips D22/108
(Continued)

OTHER PUBLICATIONS

“Installing a Shotgun Mag Extension” [online]. Dr. John Woods.
[Published on Dec. 20, 2016]. Retrieved from the Internet: <<https://www.alloutdoor.com/2016/12/20/installing-shotgun-mag-extension/>>.*

(Continued)

Primary Examiner — Mojtaba Tehrani
(74) *Attorney, Agent, or Firm* — Larson & Larson, P.A.;
Justin P. Miller; Frank Liebenow

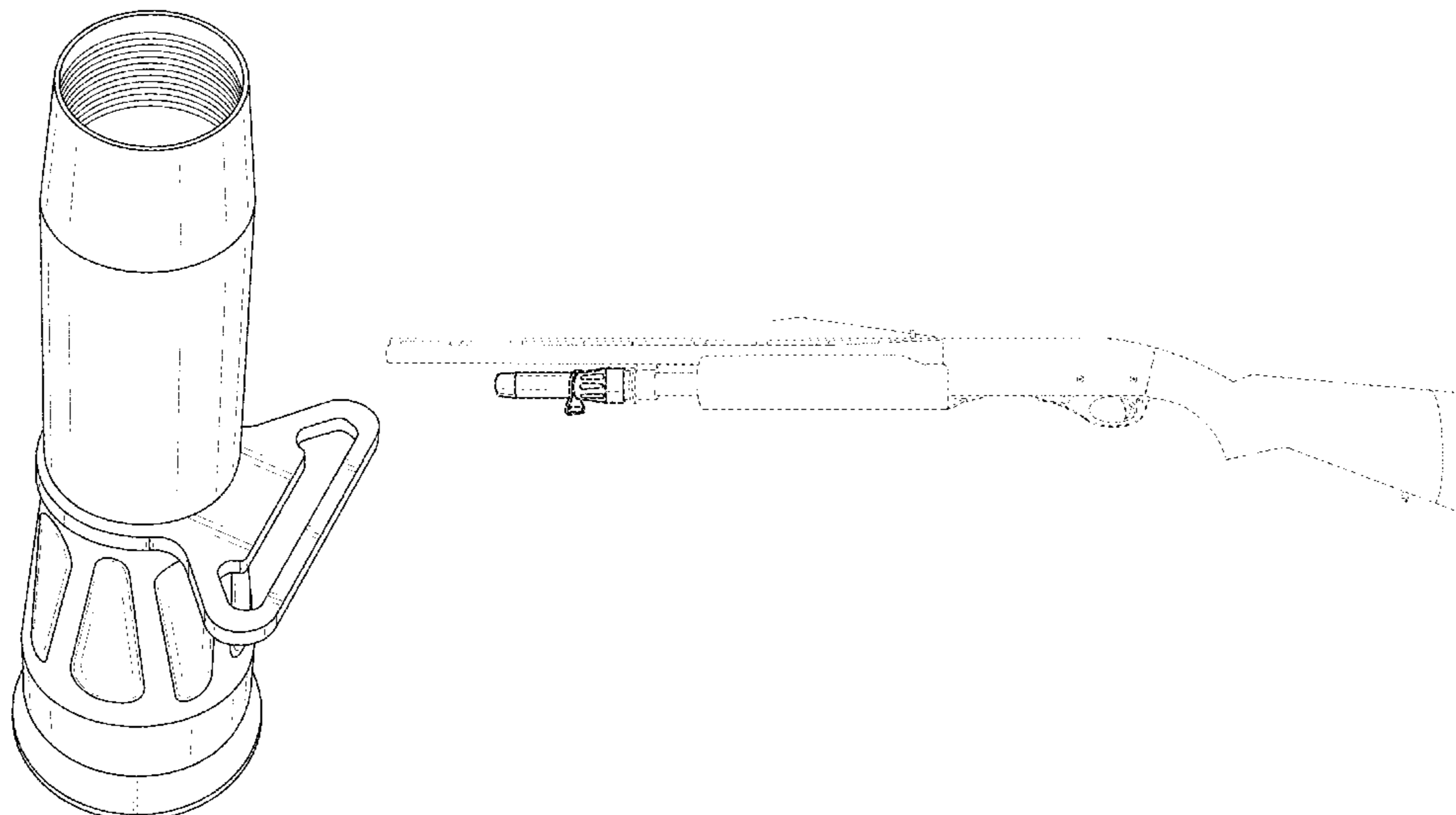
(57) **CLAIM**
We claim the ornamental design for a magazine cap with
sling loop, as shown and described.

DESCRIPTION

FIG. 1 is a perspective view of a magazine cap with sling
loop showing our new design;
FIG. 2 is a second perspective view thereof;
FIG. 3 is a front elevation view thereof;
FIG. 4 is a back elevation thereof;
FIG. 5 is a right-side elevation view thereof;
FIG. 6 is a left-side elevation view thereof;
FIG. 7 is a top plan view thereof;
FIG. 8 is a bottom plan view thereof; and,
FIG. 9 perspective view of the magazine cap with sling loop
attached to firearm.

The broken lines showing portions of the firearm are
included for the purpose of illustrating environmental struc-
ture and form no part of the claimed design.

1 Claim, 9 Drawing Sheets



(56)

References Cited

U.S. PATENT DOCUMENTS

D860,372 S * 9/2019 Riley D22/108
10,563,957 B1 * 2/2020 Hamilton F41G 1/35
2004/0045209 A1 * 3/2004 Nielsen F41G 1/35
42/146

OTHER PUBLICATIONS

“Magazine Extension Basic Kit—Stoeger” [online]. moaprecisionllc.com. Retrieved from the Internet: <<https://moaprecisionllc.com/product/magazine-extension-performance-kit-stoeger-copy/#configuration>> (Year: 2022).*

“New Shotgun Magazine Tube Mounted Light Concept from Holosun” [online]. Matt. [Published on Jan. 4, 2018]. Retrieved from the Internet: <<https://jerkthetrigger.com/2018/01/04/new-shotgun-magazine-tube-mounted-light-concept-from-holosun/>>.*

* cited by examiner

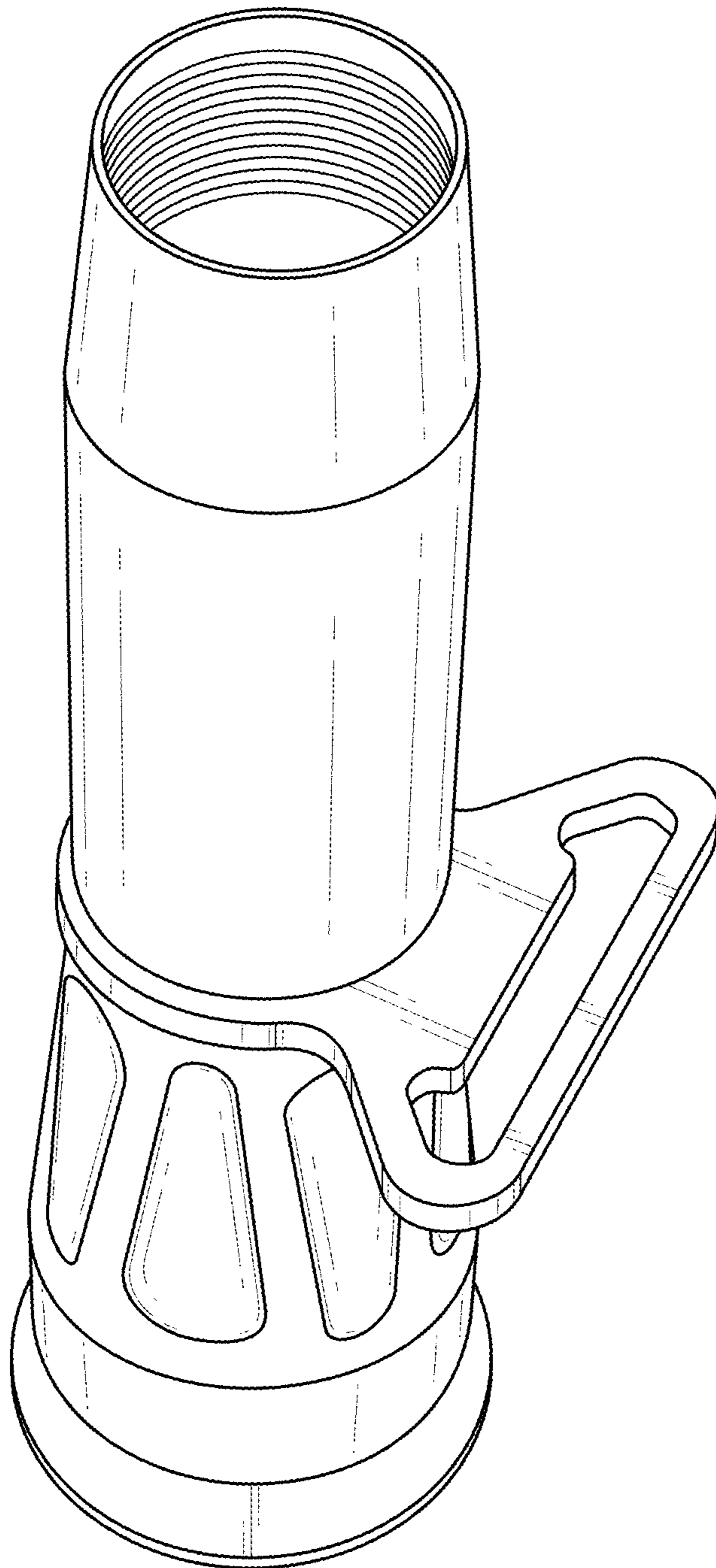


FIG. 1

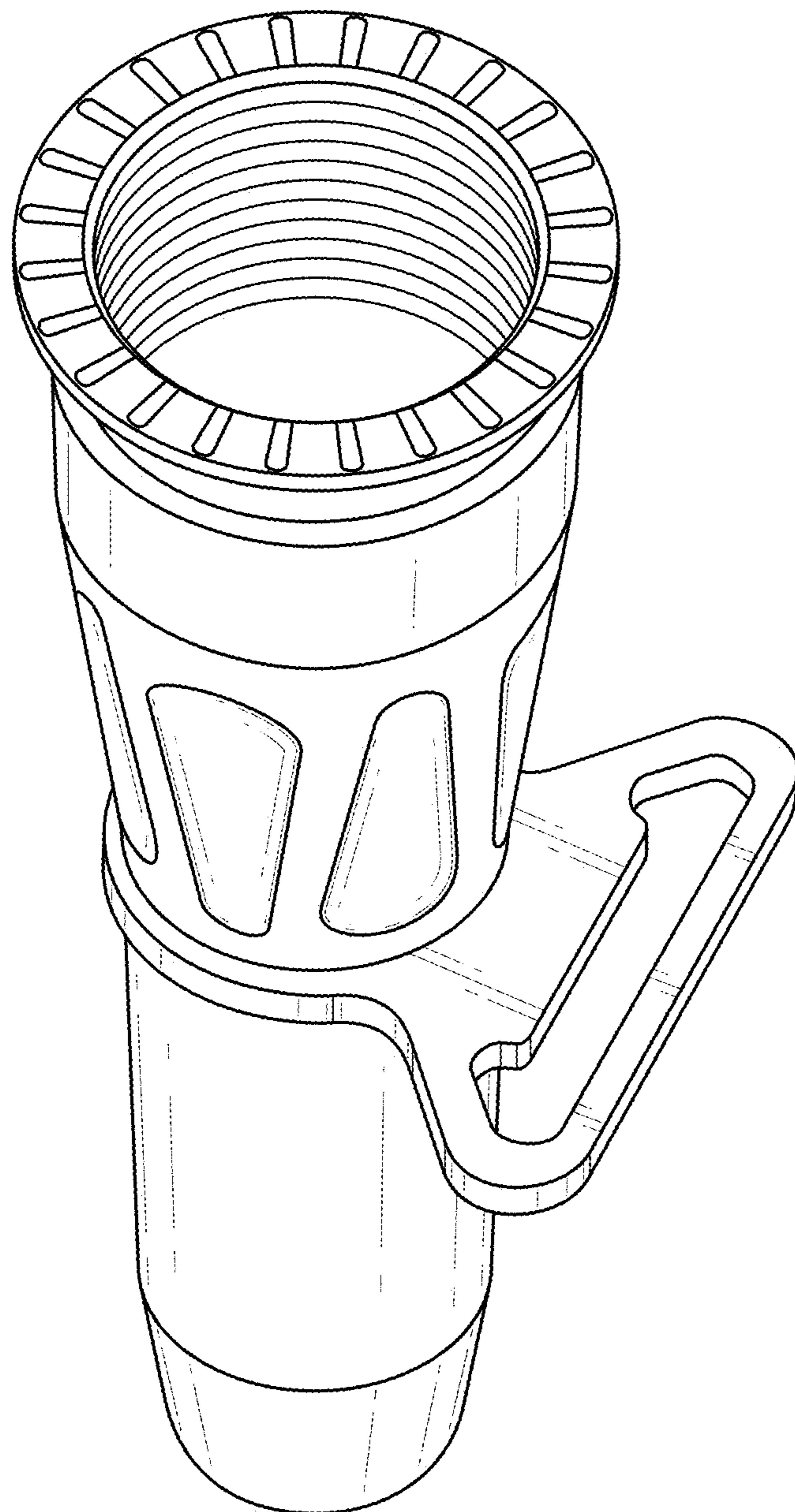


FIG. 2

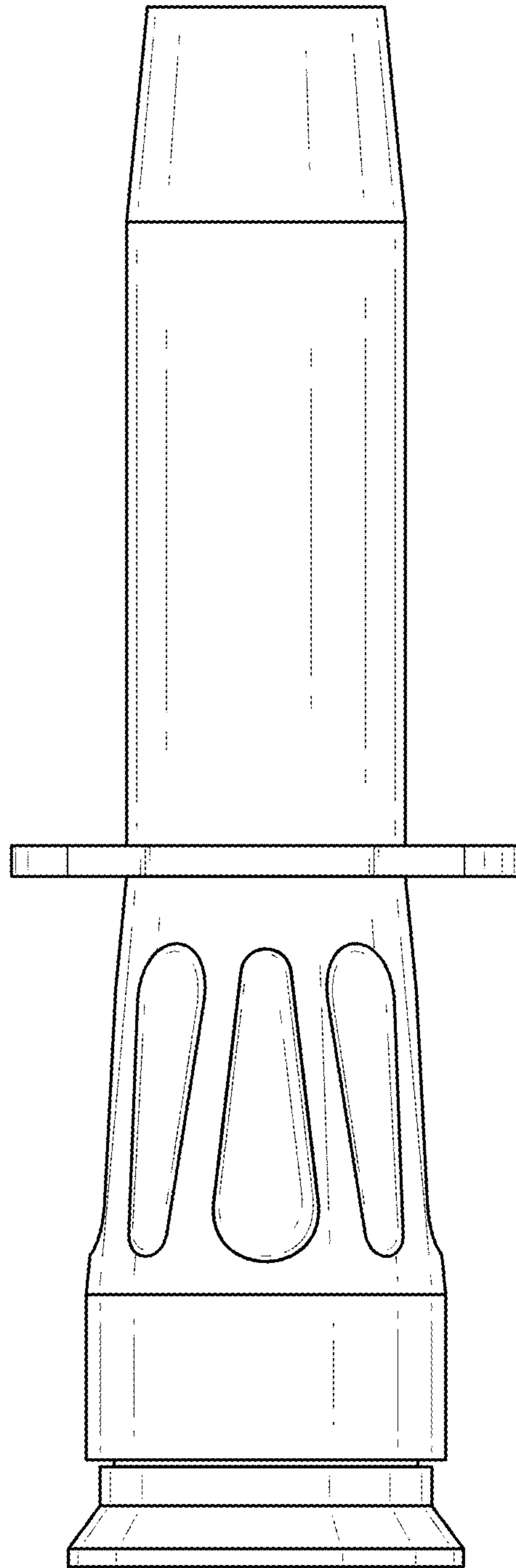


FIG. 3

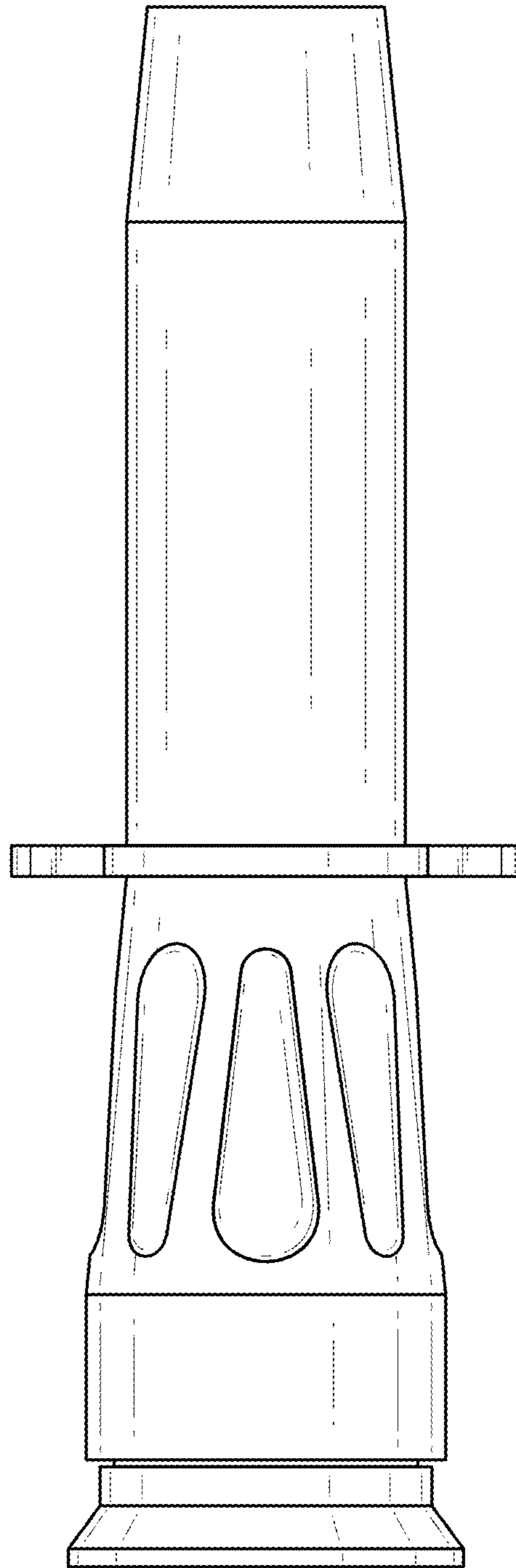


FIG. 4

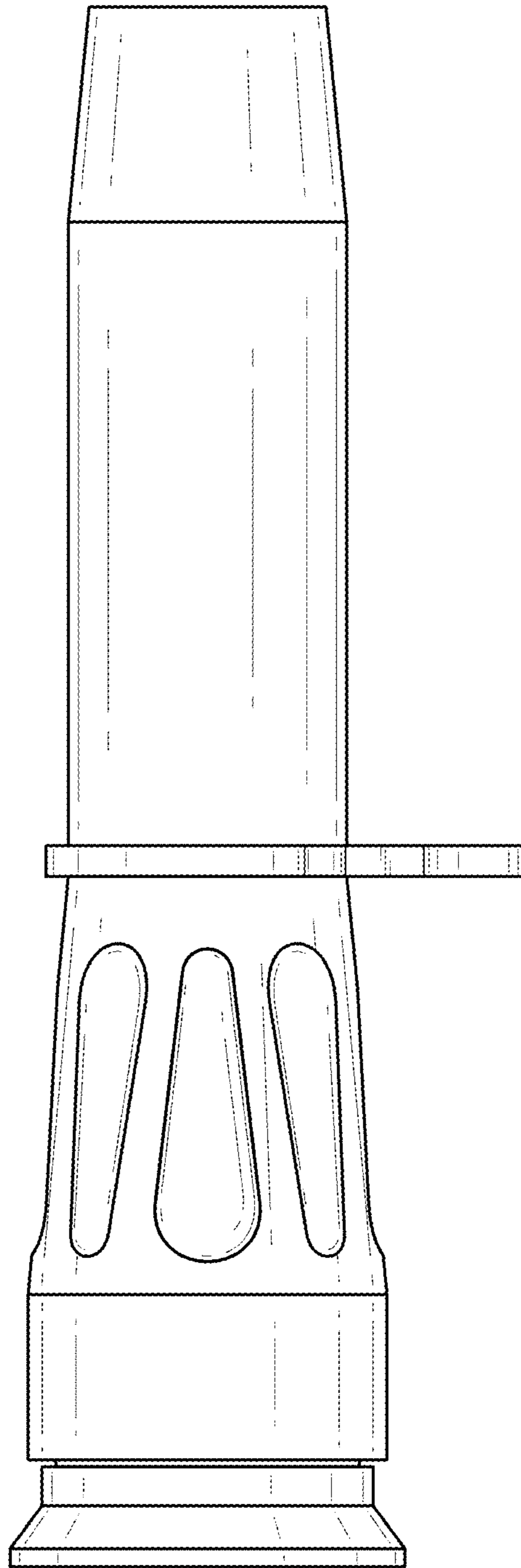


FIG. 5

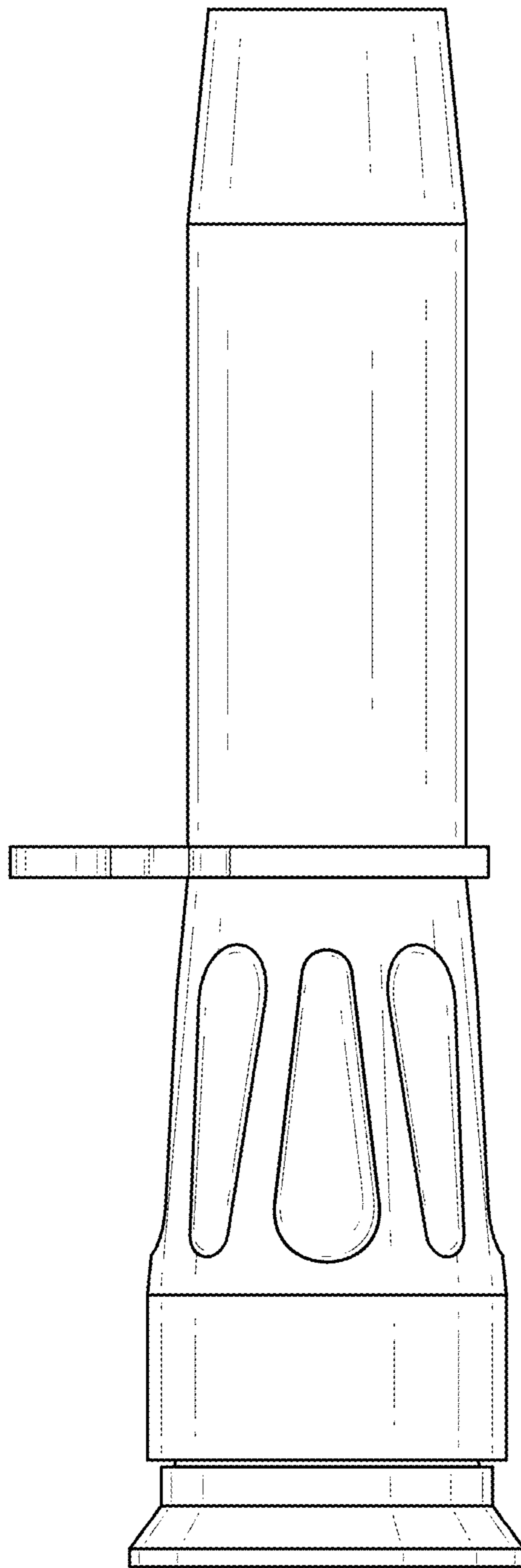


FIG. 6

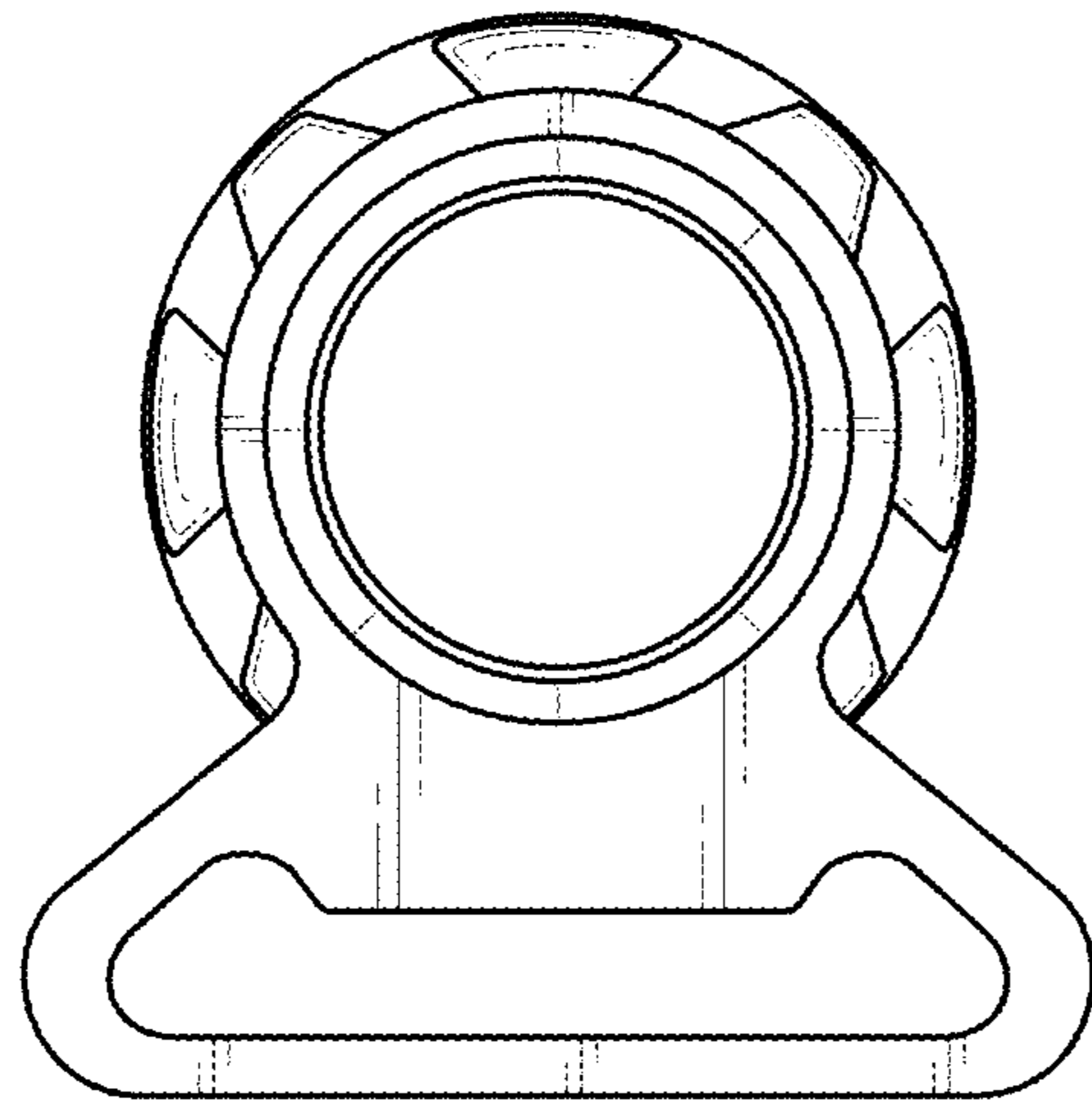


FIG. 7

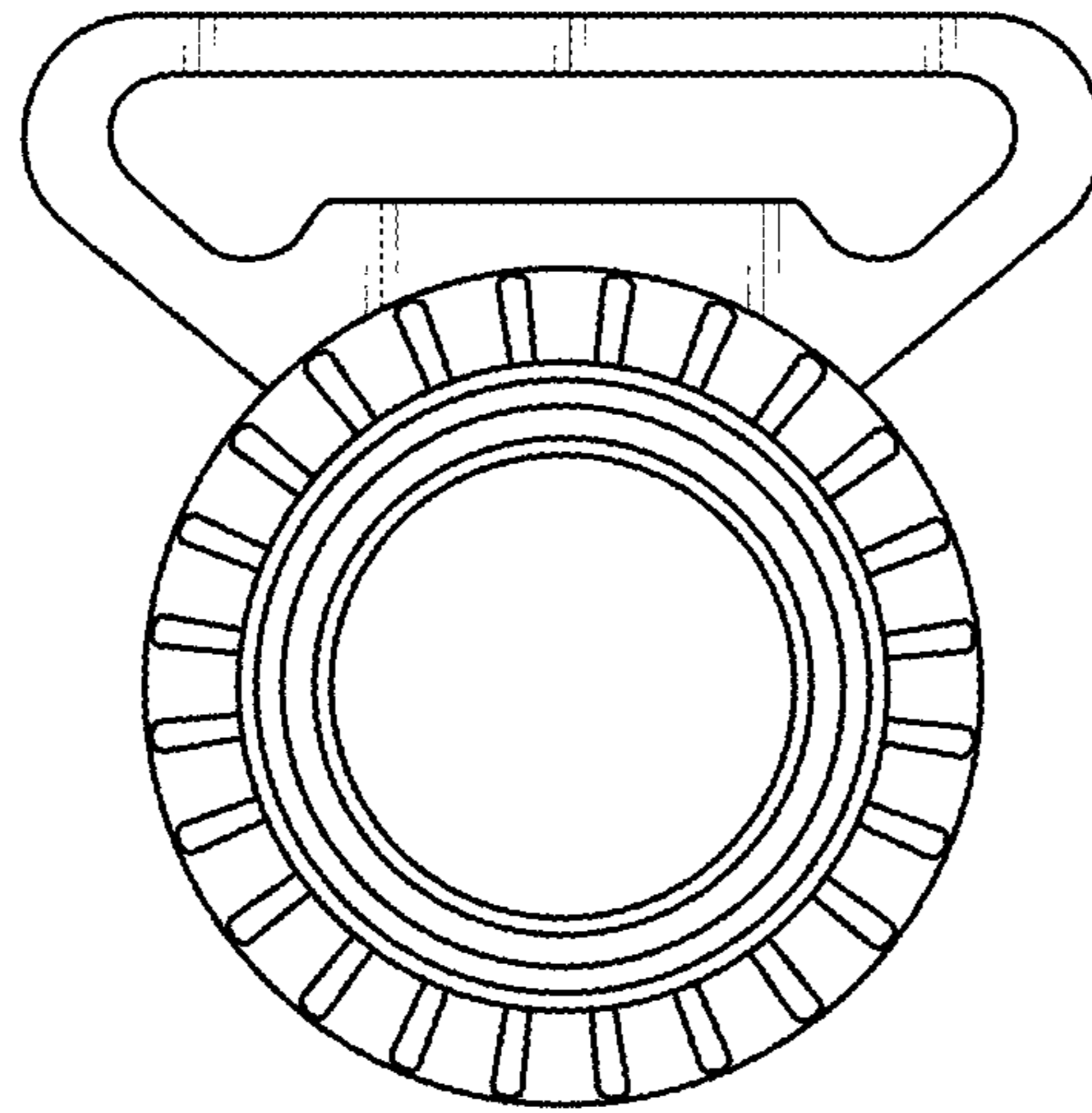


FIG. 8

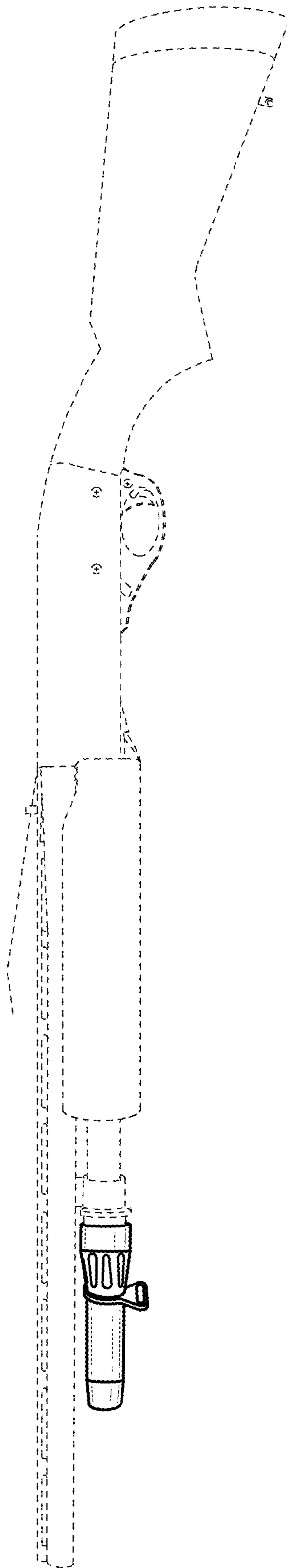


FIG. 9