



US00D952092S

(12) **United States Design Patent**
Saunders

(10) **Patent No.:** **US D952,092 S**

(45) **Date of Patent:** **** May 17, 2022**

(54) **ARROW REST**

(71) Applicant: **Saunders Archery Company,**
Columbus, NE (US)

(72) Inventor: **Charles A. Saunders,** Columbus, NE
(US)

(73) Assignee: **Saunders Archery Company,**
Columbus, NE (US)

(**) Term: **15 Years**

(21) Appl. No.: **29/676,260**

(22) Filed: **Jan. 9, 2019**

(51) **LOC (13) Cl.** **22-01**

(52) **U.S. Cl.**
USPC **D22/107**

(58) **Field of Classification Search**
USPC D22/100, 101, 107, 108, 109, 110, 111,
D22/106; D21/571

CPC F41B 5/143; F41B 5/1442; F41B 5/12;
F41B 5/00

See application file for complete search history.

(56) **References Cited**

U.S. PATENT DOCUMENTS

213,083	A *	3/1879	Wright et al.	F41B 5/143	124/24.1
3,919,997	A	11/1975	Day			
4,282,850	A *	8/1981	Warnicke	F41B 5/143	124/24.1
4,283,829	A *	8/1981	Saunders	B25B 27/02	29/278
4,372,282	A *	2/1983	Sanders	F41B 5/143	124/24.1
4,662,346	A	5/1987	Laffin			
4,759,337	A	7/1988	Suski			
5,042,450	A *	8/1991	Jacobson	F41B 5/143	124/44.5

5,253,633	A *	10/1993	Sisko	F41B 5/1438	124/24.1
5,460,153	A *	10/1995	Huntt	F41B 5/143	124/24.1
5,896,849	A *	4/1999	Branthwaite	F41B 5/143	124/44.5

(Continued)

OTHER PUBLICATIONS

“AroGate by Saunders Archery” [online]. Ridge Road Outdoors. [Published on Jan. 5, 2020]. Retrieved from the Internet: <<https://www.youtube.com/watch?v=TEhsvHYRV0g>>.*

Primary Examiner — Mojtaba Tehrani

(74) *Attorney, Agent, or Firm* — Levenfeld Pearlstein, LLC

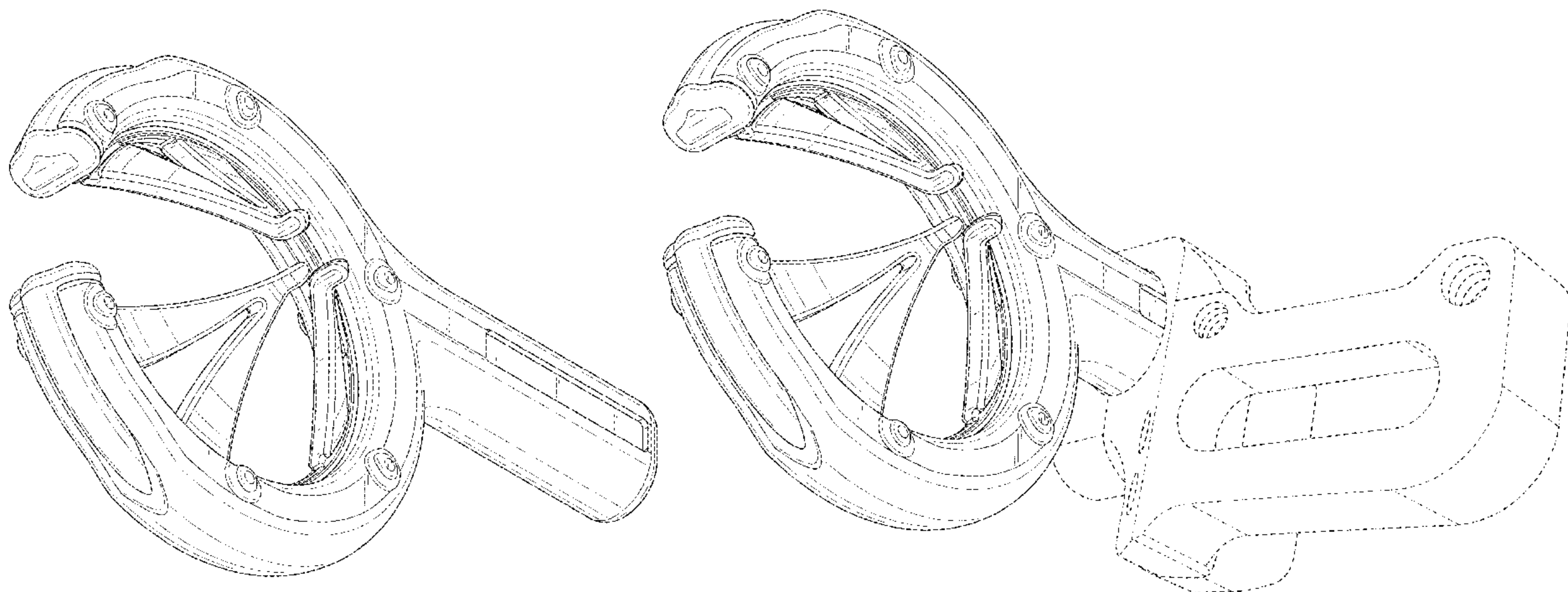
(57) **CLAIM**

The ornamental design for an arrow rest, as shown and described.

DESCRIPTION

FIG. 1 is a perspective view of the first embodiment of an arrow rest, showing my new design; FIG. 2 is a top view thereof; FIG. 3 is a bottom view thereof; FIG. 4 is a left side view thereof; FIG. 5 is a right side view thereof; FIG. 6 is a front view thereof; FIG. 7 is a rear view thereof; FIG. 8 is a perspective view of the arrow rest of FIG. 1 shown with an unclaimed mounting bracket; FIG. 9 is a perspective view of the second embodiment of an arrow rest, showing my new design; FIG. 10 is a top view thereof; FIG. 11 is a bottom view thereof; FIG. 12 is a left side view thereof; FIG. 13 is a right side view thereof; FIG. 14 is a front view thereof; and, FIG. 15 is a rear view thereof.

(Continued)



The evenly broken lines in the drawings form no part of the claimed design.

1 Claim, 15 Drawing Sheets

(56)

References Cited

U.S. PATENT DOCUMENTS

RE38,096 E 4/2003 Branthwaite et al.
6,557,541 B2 * 5/2003 Pinto, Jr. F41B 5/143
124/24.1
6,725,851 B1 * 4/2004 Graf F41B 5/143
124/44.5
6,742,510 B2 * 6/2004 Troncoso, Jr. F41B 5/143
124/44.5
6,772,747 B1 * 8/2004 Vastag F41B 5/143
124/24.1

6,789,535 B1 * 9/2004 McIntyre F41B 5/143
124/44.5
6,978,775 B2 * 12/2005 Graf F41B 5/143
124/44.5
6,994,080 B1 * 2/2006 Yoder F41B 5/143
124/44.5
7,827,979 B2 * 11/2010 Rager F41B 5/143
124/44.5
7,913,678 B2 * 3/2011 Hudkins F41B 5/143
124/44.5
8,342,161 B2 1/2013 Harwath et al.
D689,580 S * 9/2013 Khoshnood D22/107
8,544,458 B1 * 10/2013 LoRocco F41B 5/143
124/44.5
9,243,862 B1 * 1/2016 Webb F41B 5/143
9,459,069 B1 * 10/2016 Campbell F41B 5/143
9,500,434 B1 * 11/2016 LoRocco F41B 5/143
10,415,924 B1 * 9/2019 Huang F41B 5/143

* cited by examiner

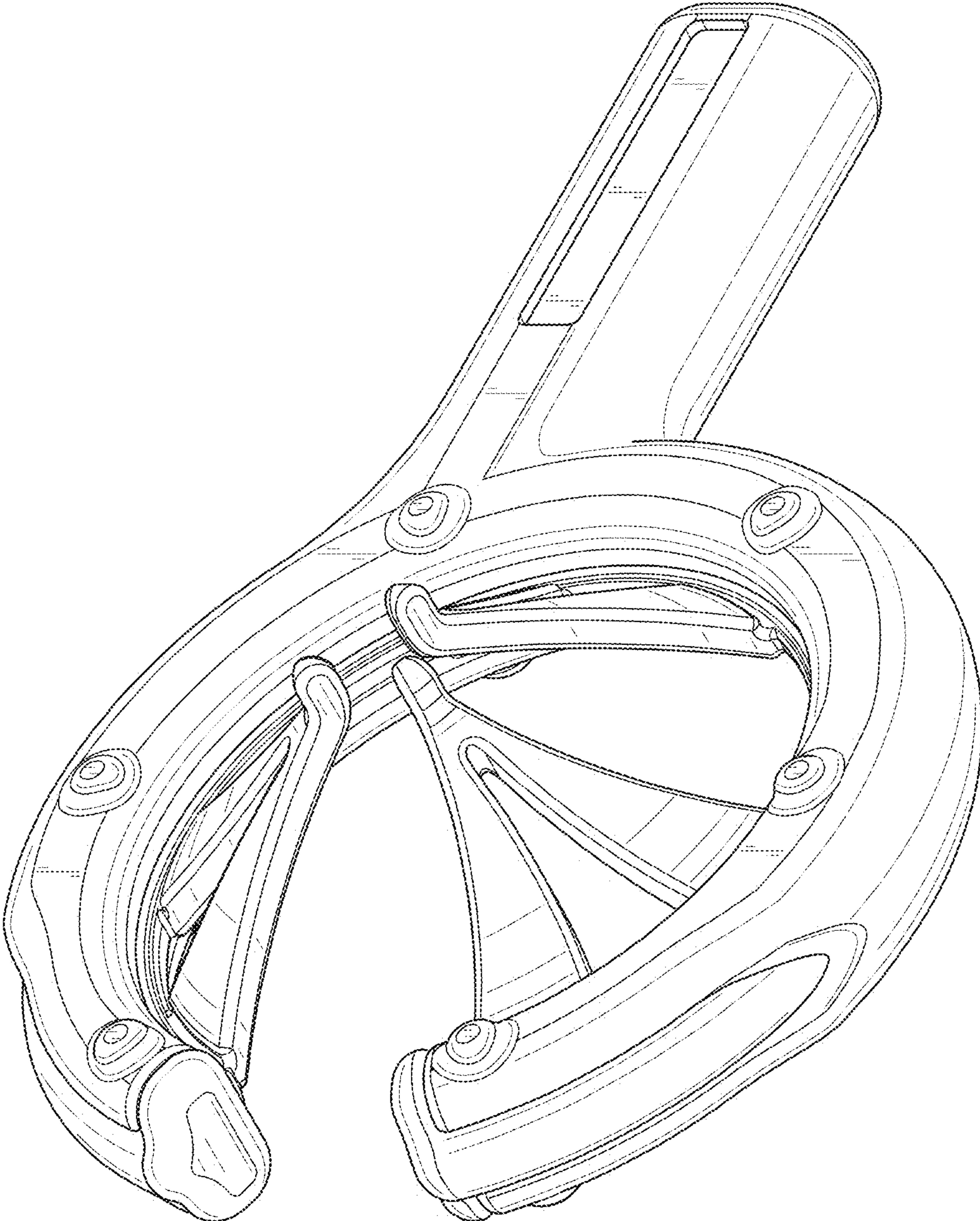


FIG. 1

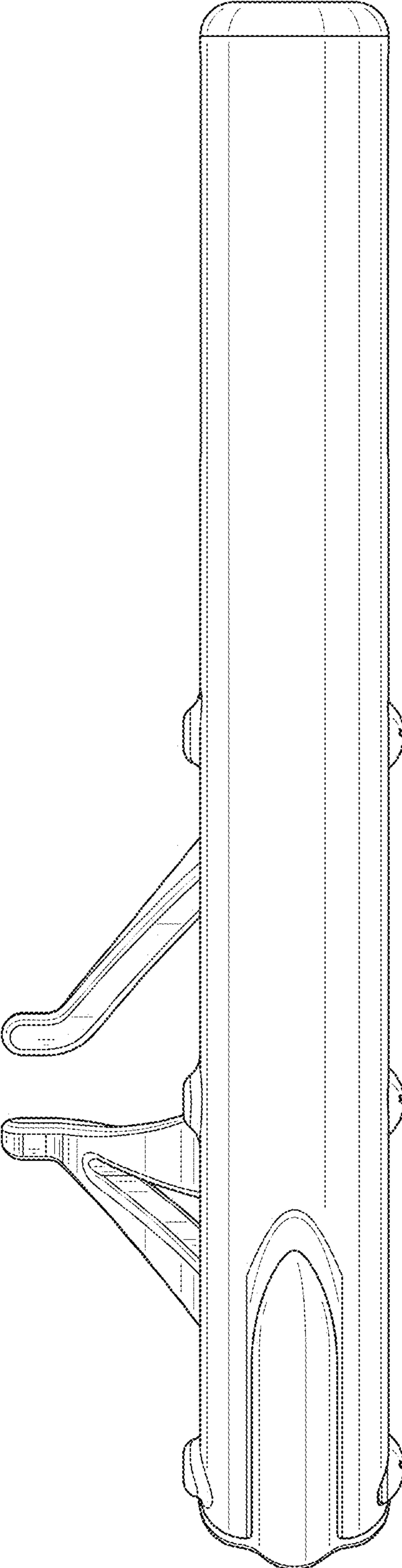


FIG. 2

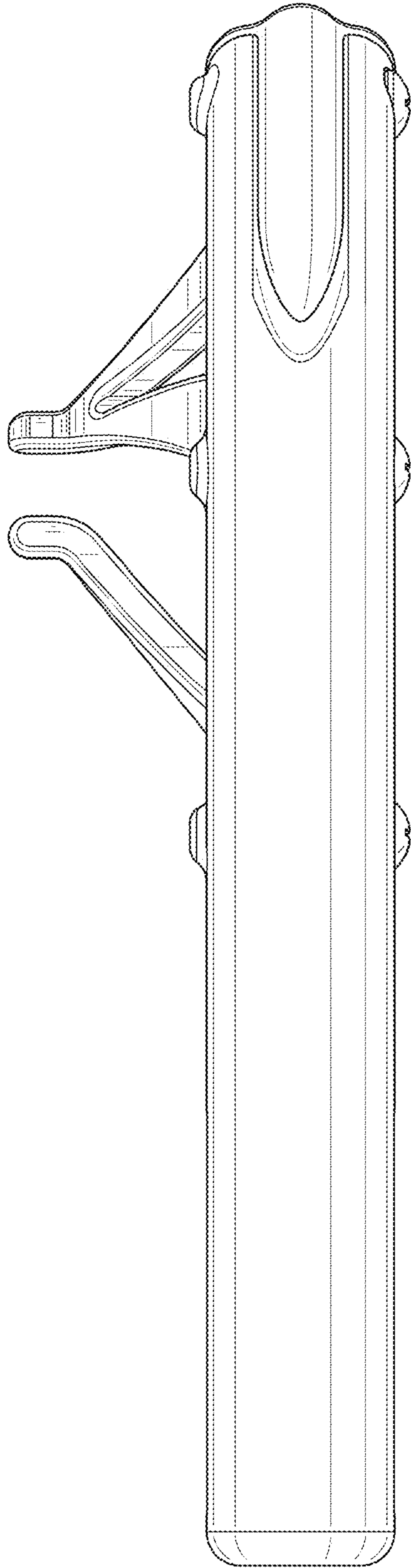


FIG. 3

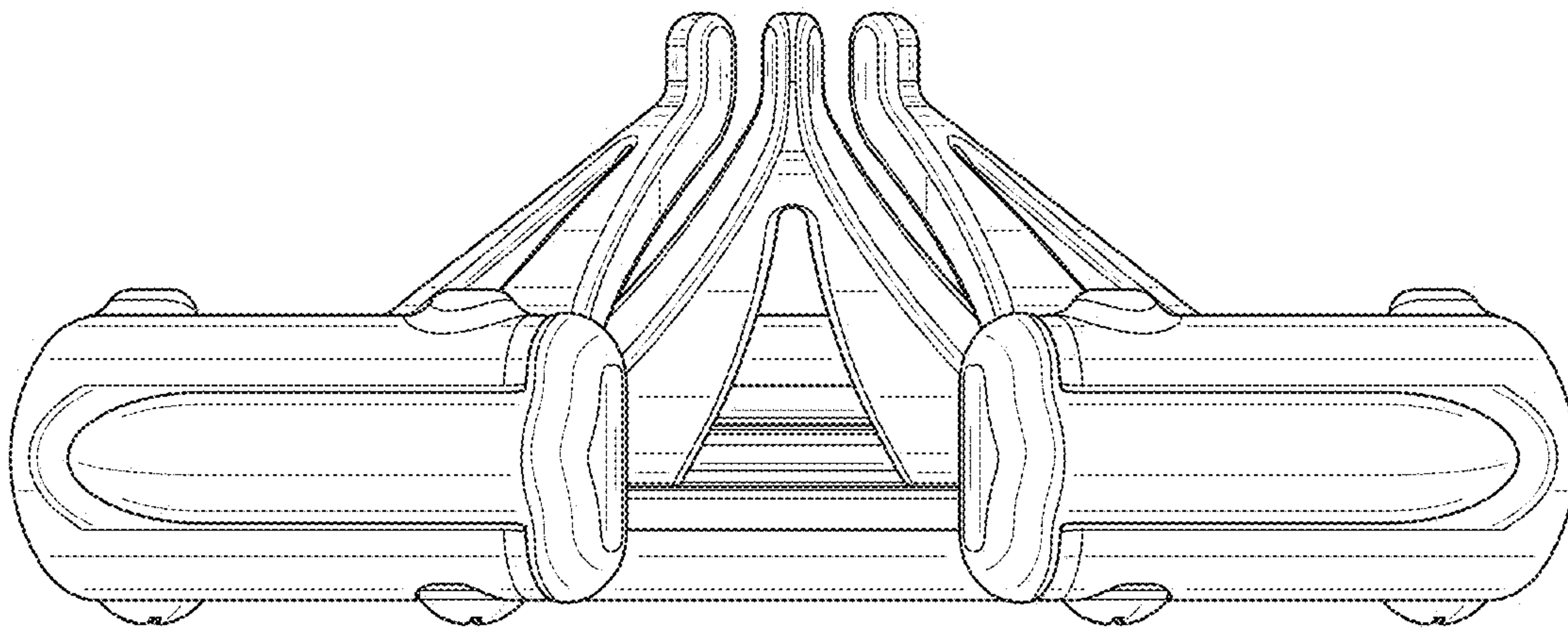


FIG. 4

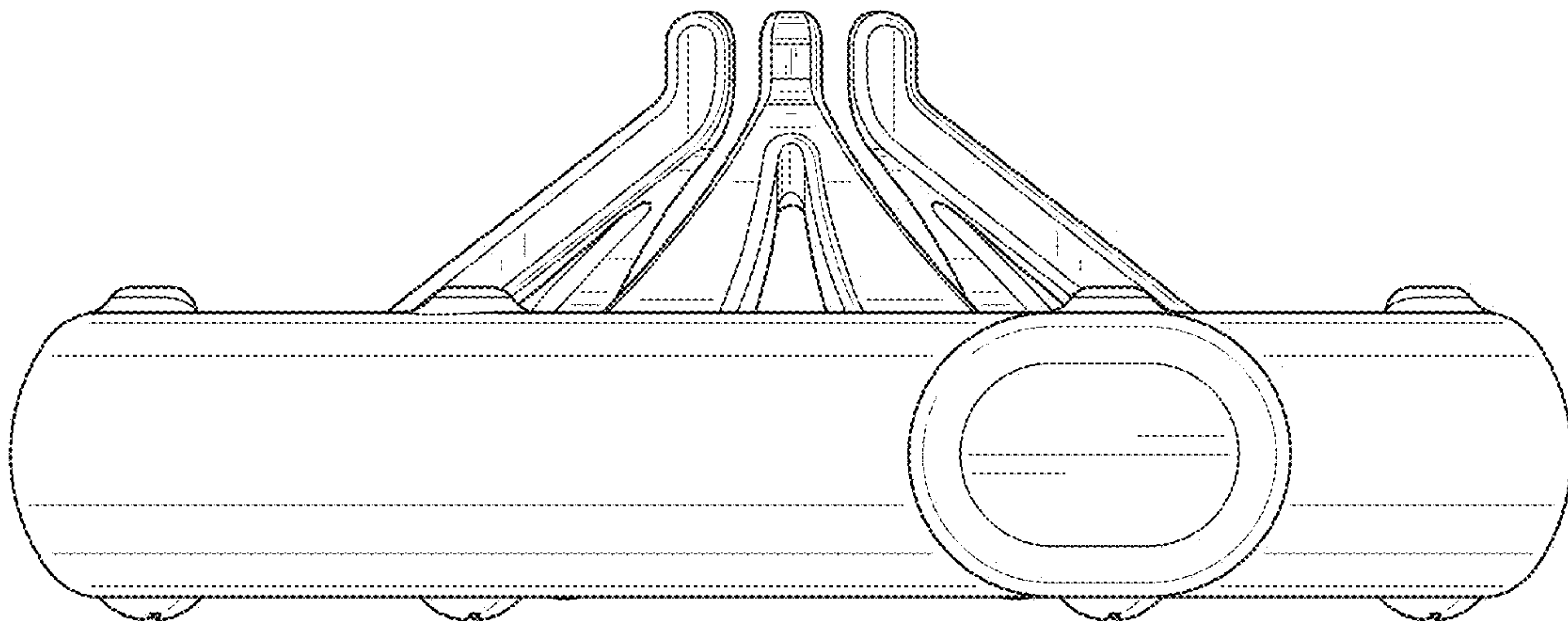


FIG. 5

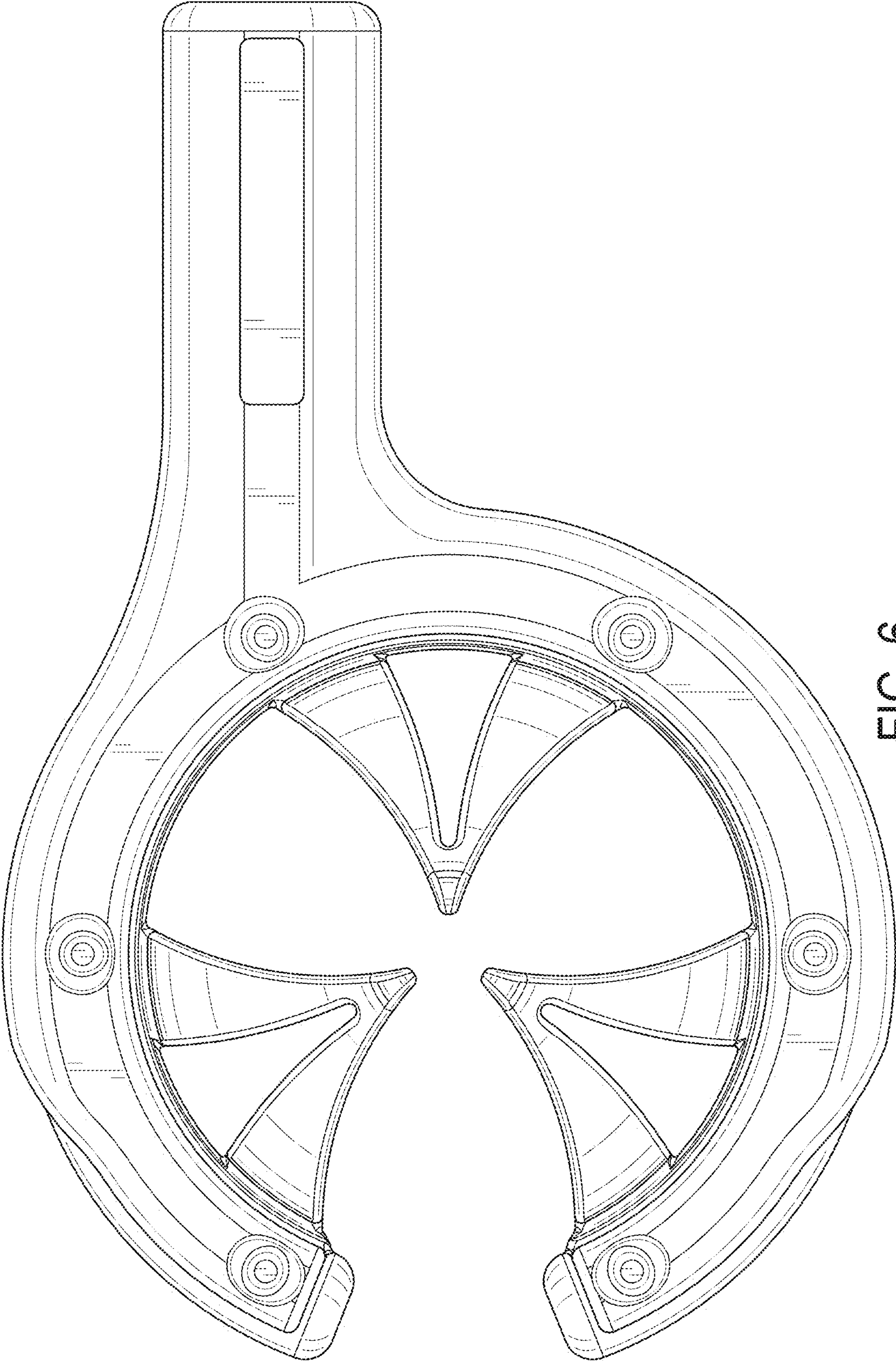


FIG. 6

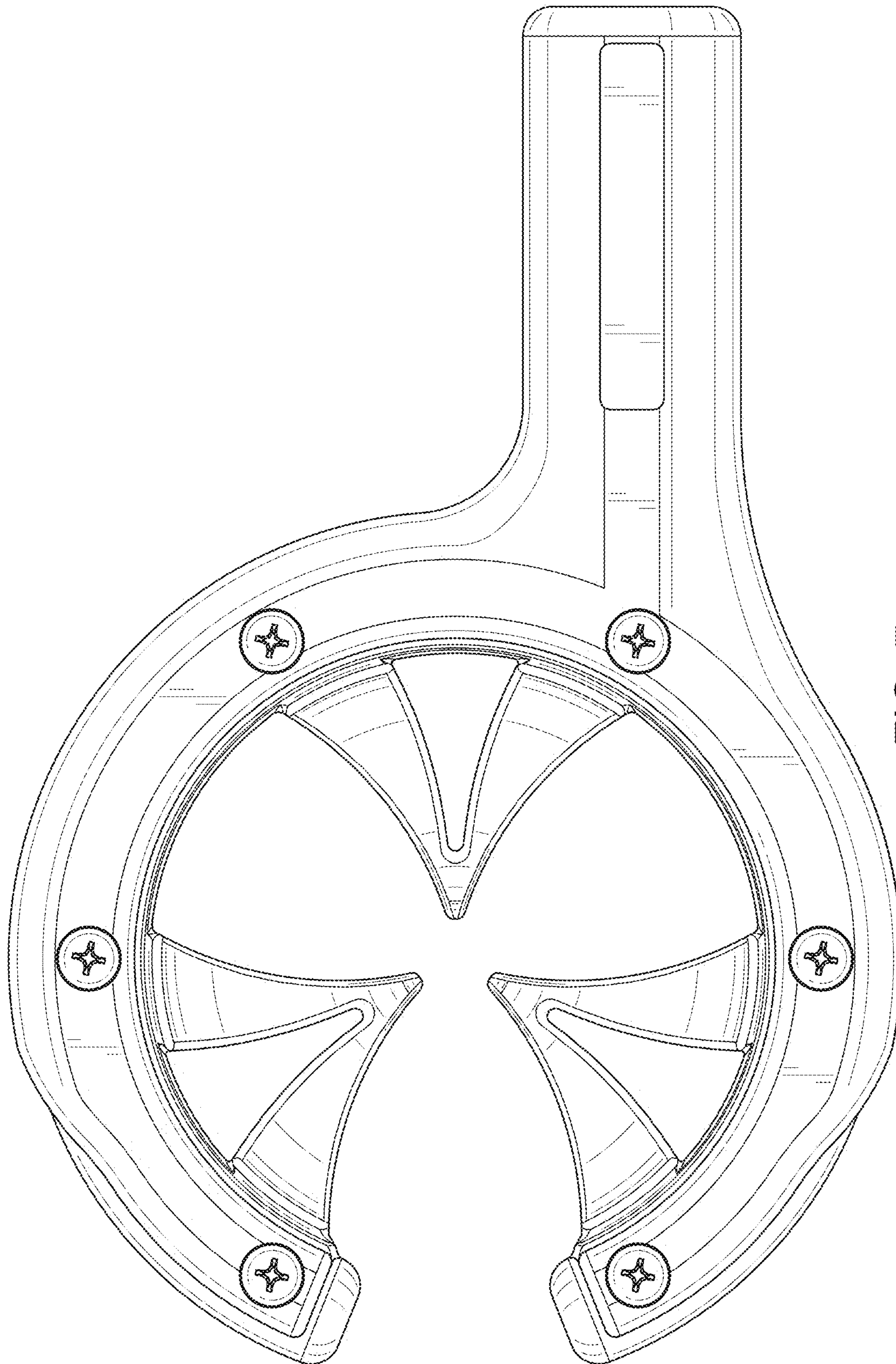


FIG. 7

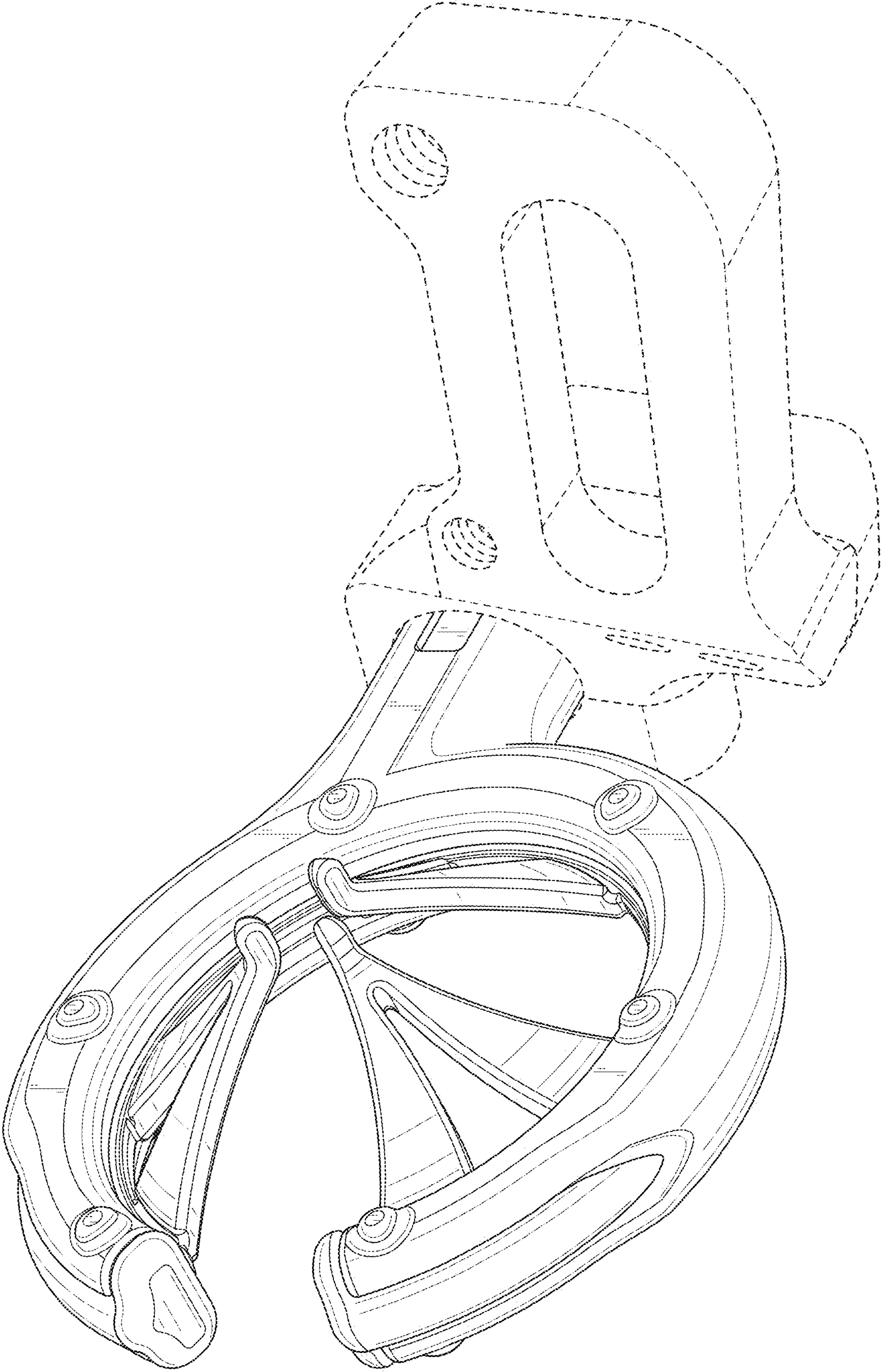


FIG. 8

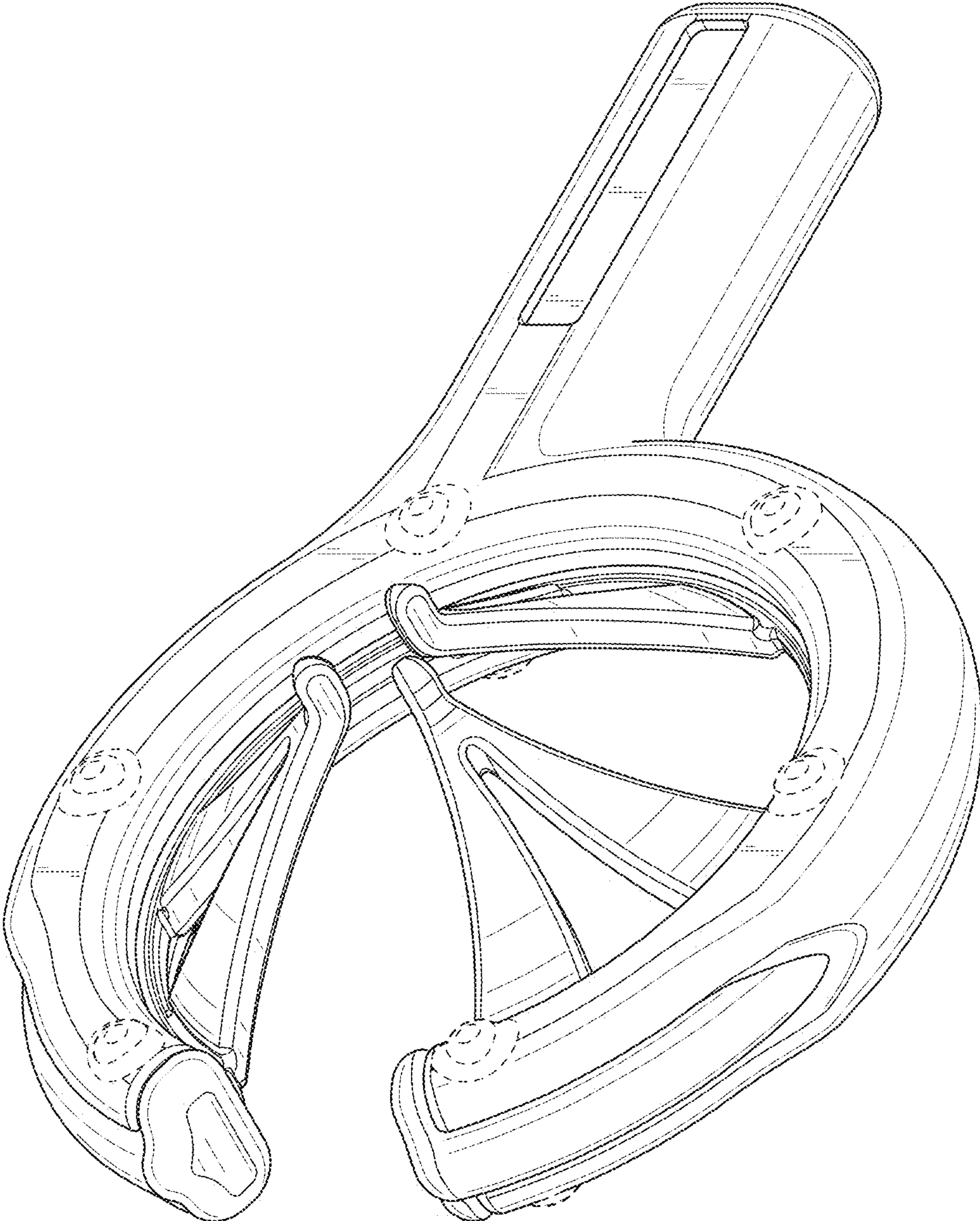


FIG. 9

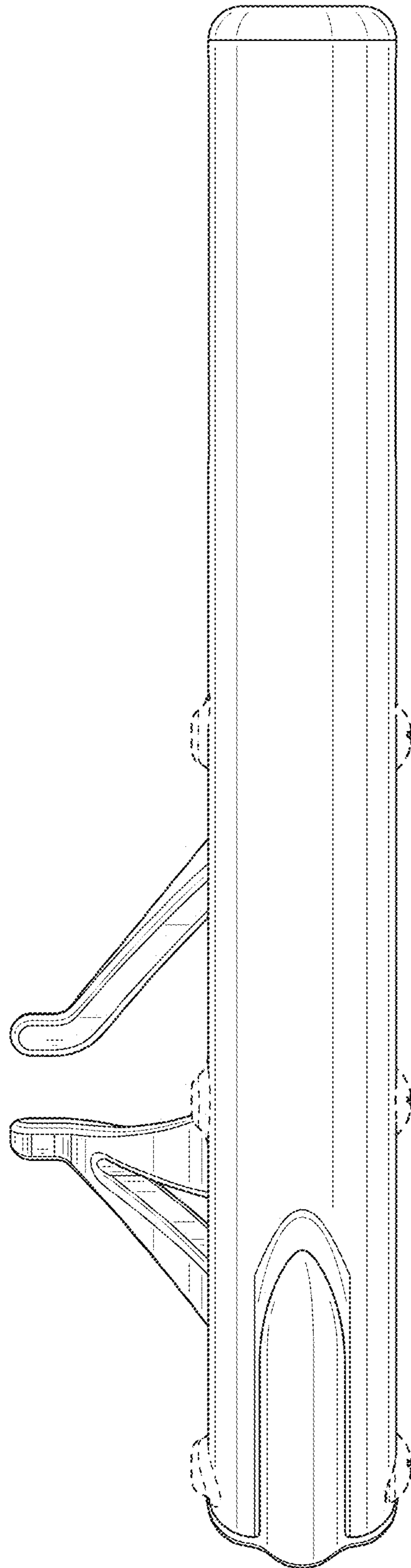


FIG. 10

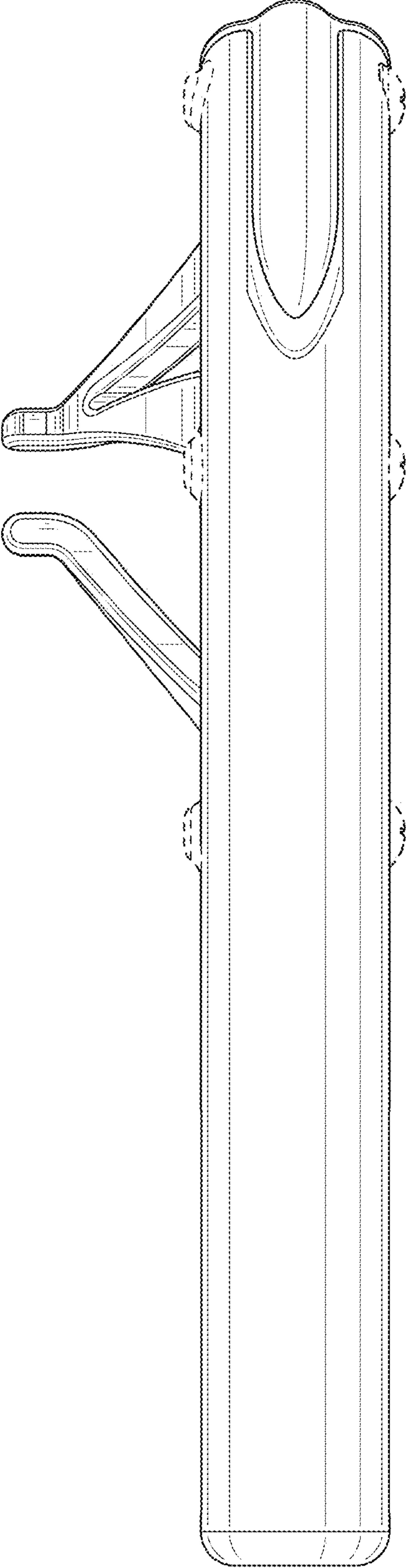


FIG. 11

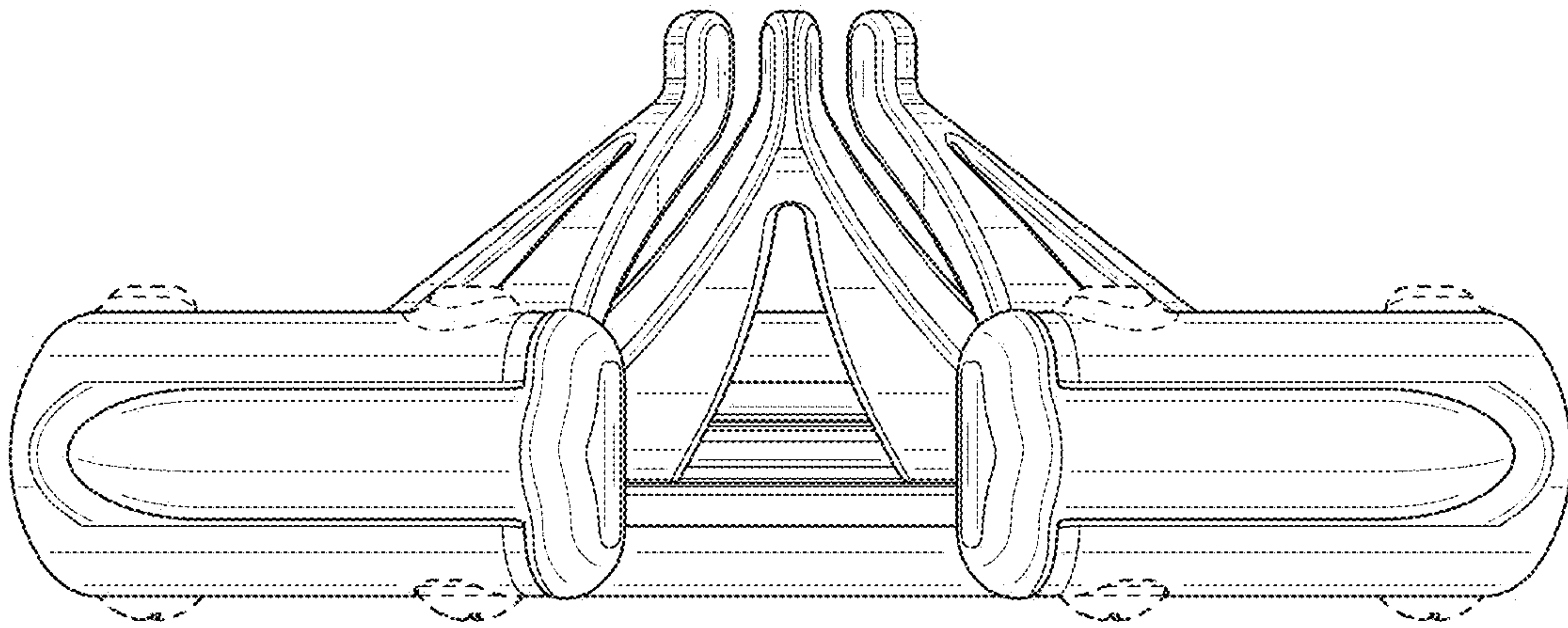


FIG. 12

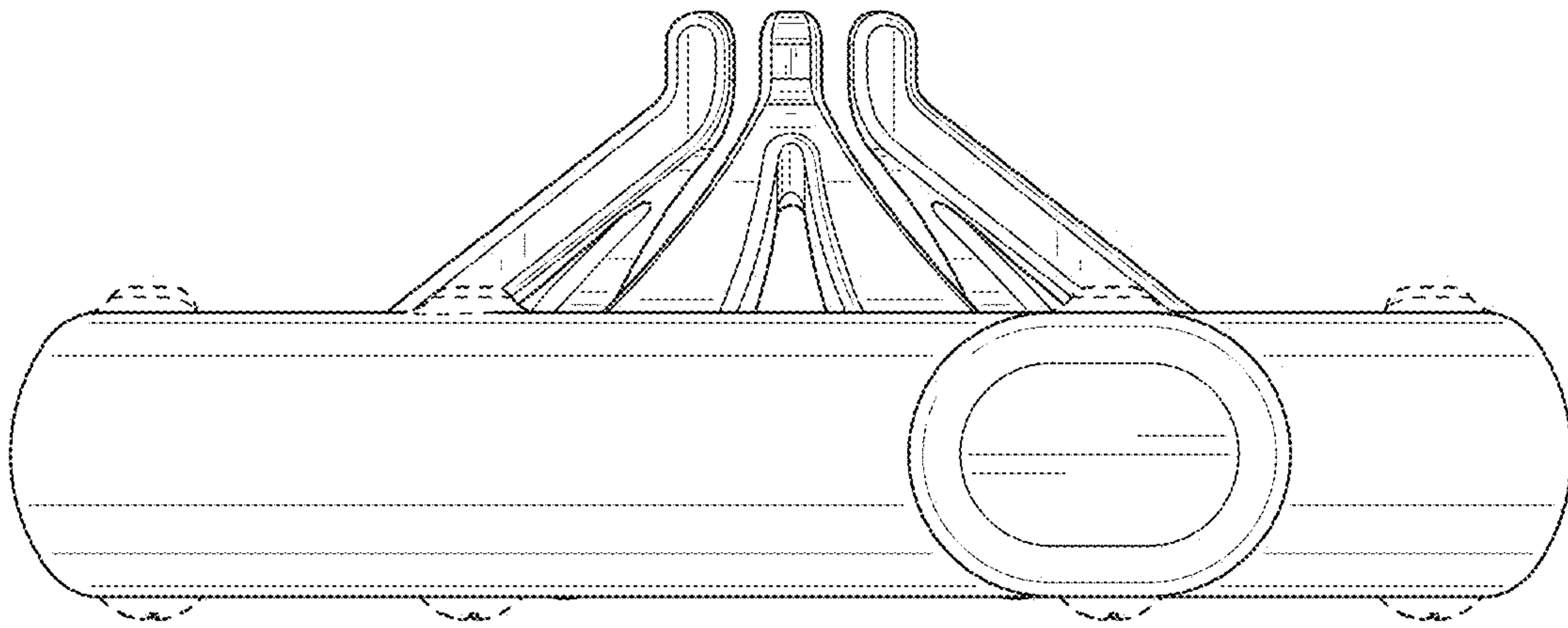


FIG. 13

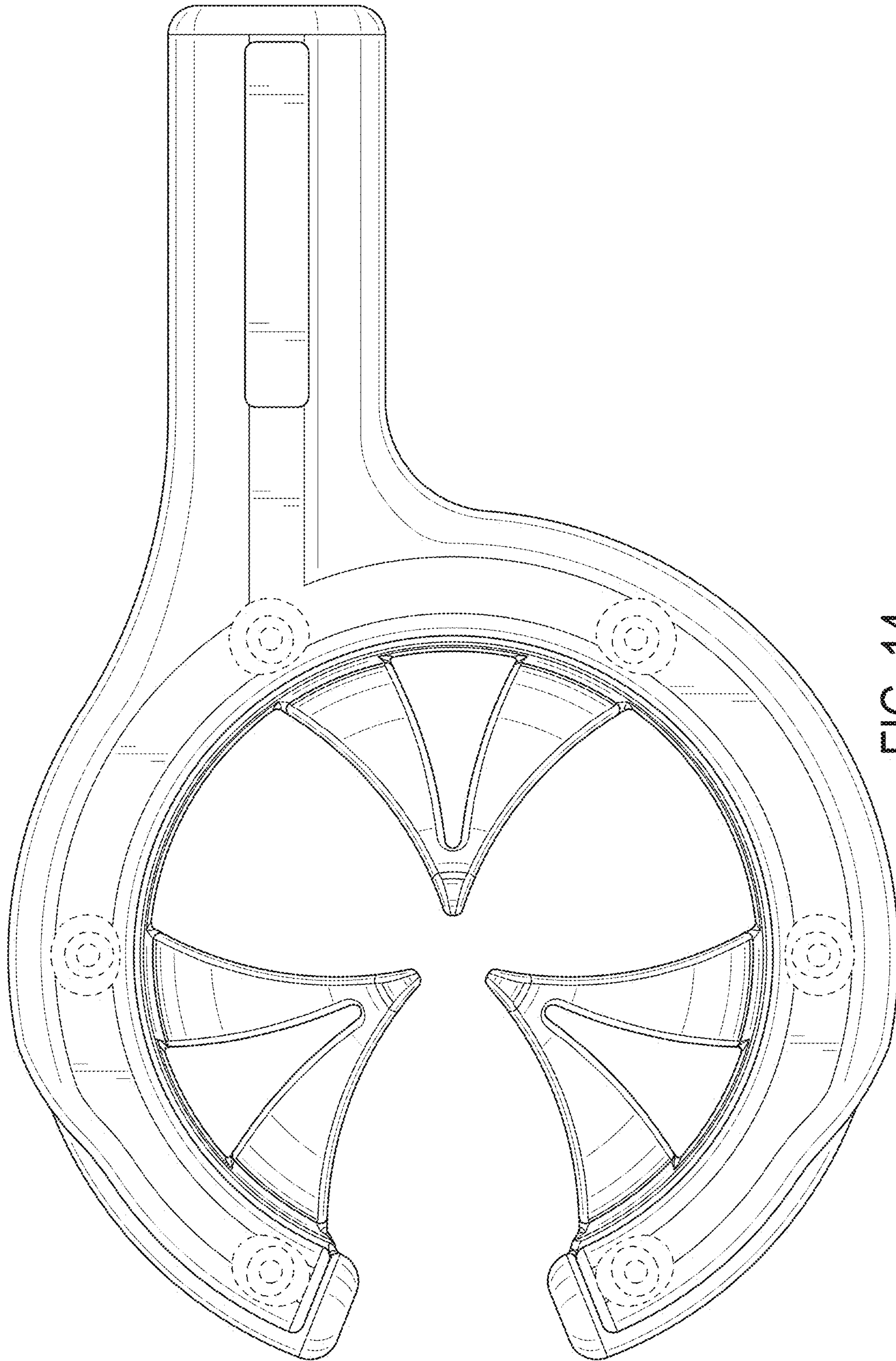


FIG. 14

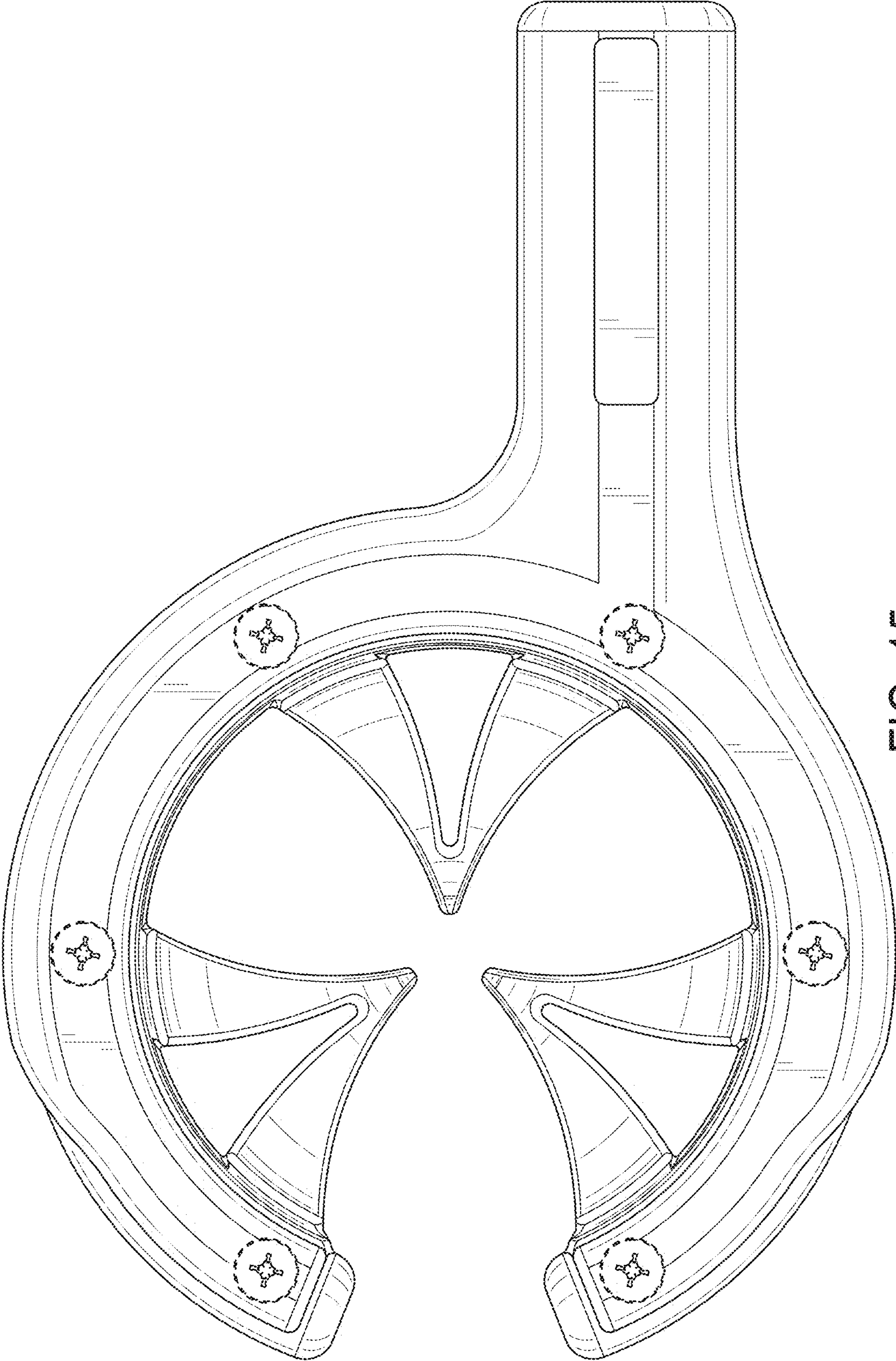


FIG. 15