



US00D952091S

(12) **United States Design Patent**  
**Zheng**

(10) **Patent No.:** **US D952,091 S**

(45) **Date of Patent:** **\*\* May 17, 2022**

(54) **INFLATABLE TENT**  
(71) Applicant: **SHENZHEN PICTET FINO TECHNOLOGY CO., LTD**, Shenzhen (CN)  
(72) Inventor: **Junsheng Zheng**, Shenzhen (CN)  
(73) Assignee: **SHENZHEN PICTET FINO TECHNOLOGY CO., LTD**, Shenzhen (CN)  
(\*\*) Term: **15 Years**

6,263,617 B1 \* 7/2001 Turcot ..... E04H 15/20 52/2.13  
D509,877 S 9/2005 Peterson  
D510,118 S \* 9/2005 Smith ..... D21/834  
7,552,555 B2 \* 6/2009 Pellecier ..... G09F 15/0025 40/745  
8,166,711 B2 \* 5/2012 Lamke ..... E04H 15/20 52/2.13  
D682,382 S \* 5/2013 Ruminski ..... D21/837  
D689,159 S 9/2013 Wagoner  
D926,909 S \* 8/2021 Song ..... D21/835  
2005/0252055 A1 \* 11/2005 Pellecier ..... G09F 7/18 40/610  
2019/0010725 A1 \* 1/2019 Bueno ..... E04H 15/54  
2021/0222454 A1 \* 7/2021 Fader ..... A45B 19/02

(21) Appl. No.: **29/782,513**

\* cited by examiner

(22) Filed: **May 7, 2021**

*Primary Examiner* — Cynthia M. Chin

(30) **Foreign Application Priority Data**

(57) **CLAIM**

Apr. 20, 2021 (EM) ..... 008509194-0001

The ornamental design for an inflatable tent, as shown and described.

(51) **LOC (13) Cl.** ..... **21-04**

**DESCRIPTION**

(52) **U.S. Cl.**  
USPC ..... **D21/835**

(58) **Field of Classification Search**  
USPC ..... D21/834-839  
CPC ..... E04H 15/00; E04H 15/001; E04H 15/003;  
E04H 15/18; E04H 15/20; E04H 15/201;  
E04H 15/204  
See application file for complete search history.

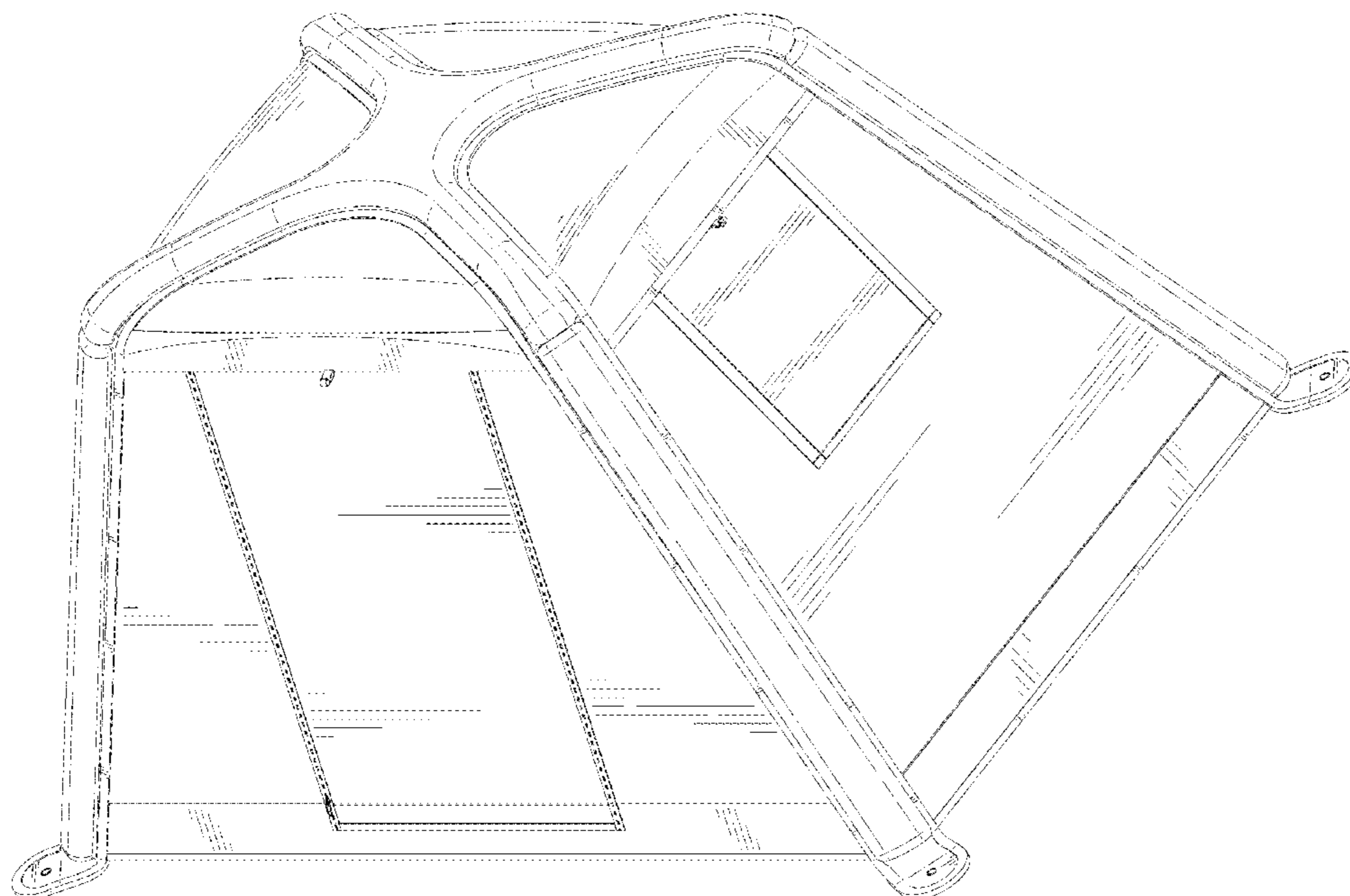
FIG. 1 is a perspective view of an inflatable tent showing my new design;  
FIG. 2 is another perspective view thereof;  
FIG. 3 is a front elevational view thereof;  
FIG. 4 is a rear elevational view thereof;  
FIG. 5 is a left side elevational view thereof;  
FIG. 6 is a right side elevational view thereof;  
FIG. 7 is a top plan view thereof;  
FIG. 8 is a bottom plan view thereof; and,  
FIG. 9 is a perspective view of the inflatable tent where the inflatable tent is in a configuration of use.  
The broken lines in the drawings depict portions of the inflatable tent that form no part of the claimed design.

(56) **References Cited**

**U.S. PATENT DOCUMENTS**

D302,720 S \* 8/1989 Merrill ..... D21/835  
D352,328 S \* 11/1994 Boyd ..... D21/835  
D361,364 S \* 8/1995 Winters ..... D21/835  
D363,993 S \* 11/1995 Johnson ..... D25/19  
D396,087 S \* 7/1998 Liu ..... D21/835

**1 Claim, 9 Drawing Sheets**



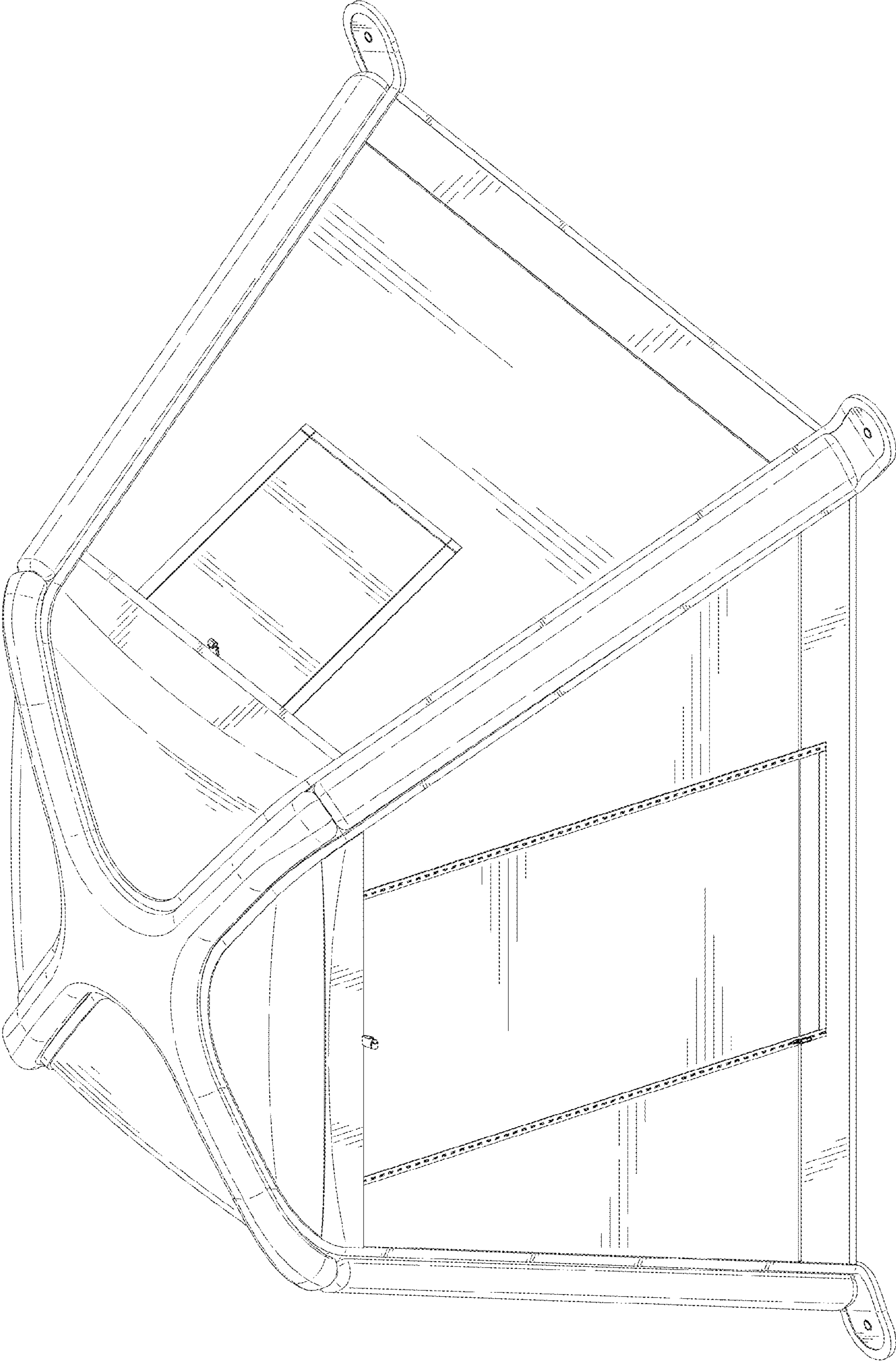


FIG. 1

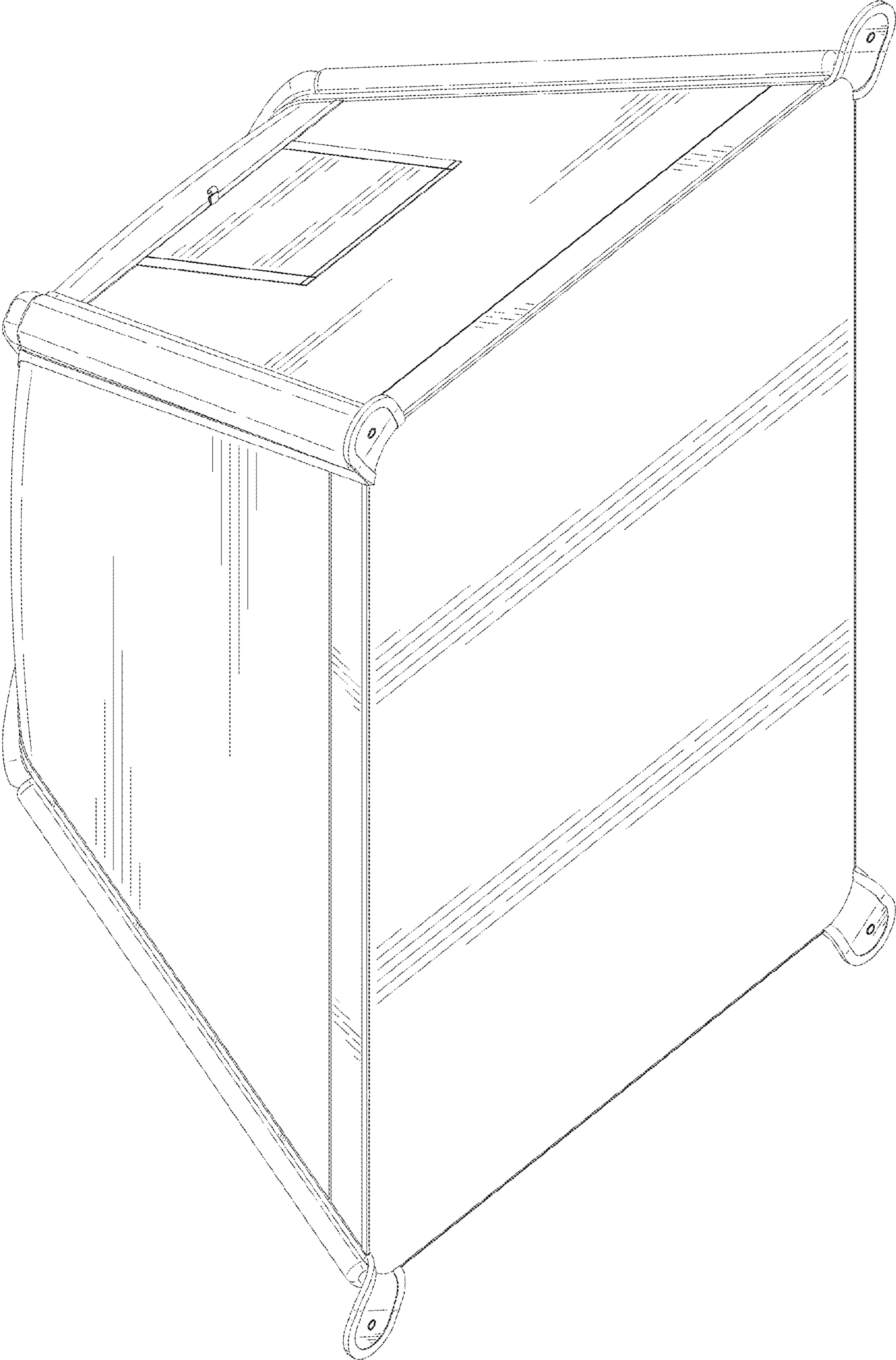


FIG. 2

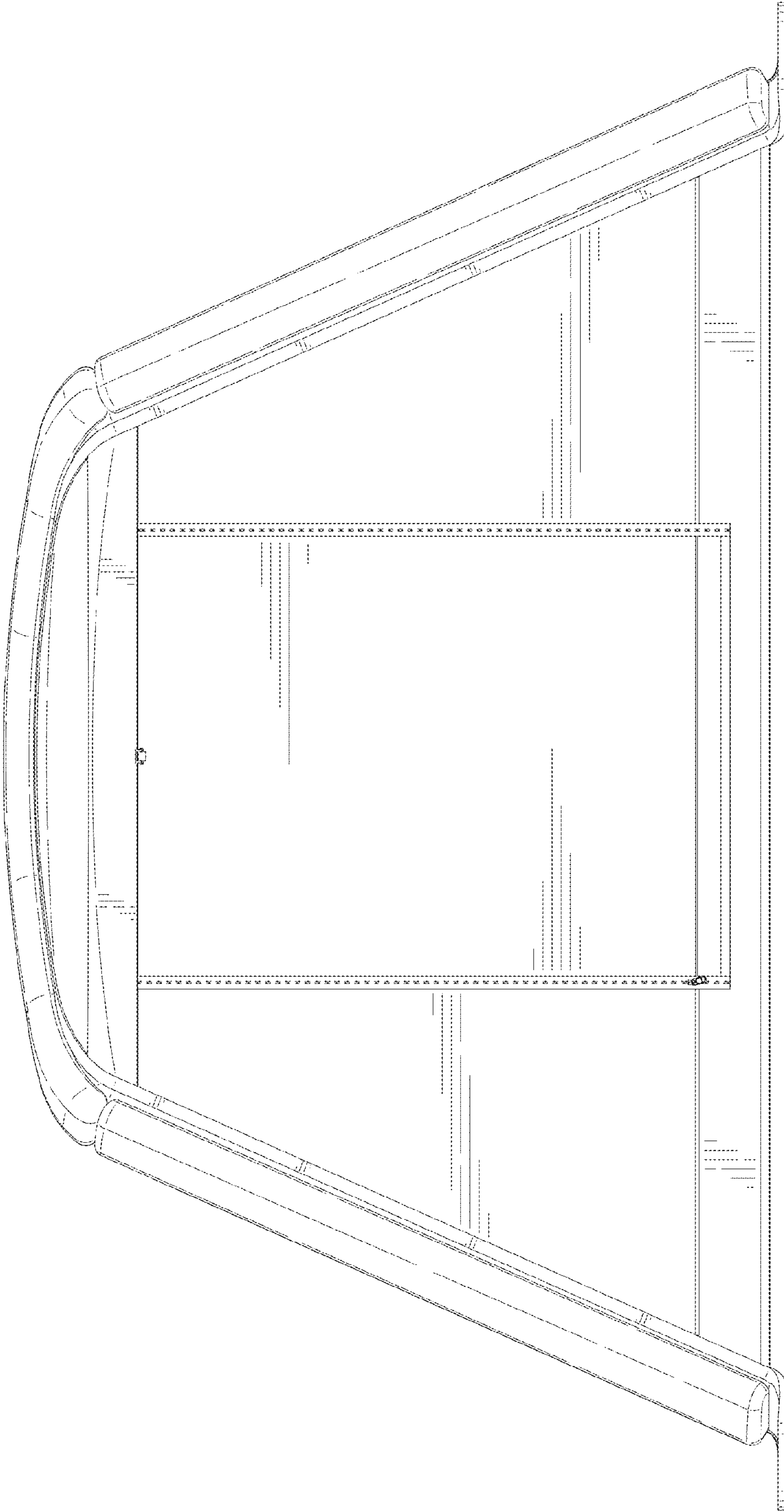


FIG. 3

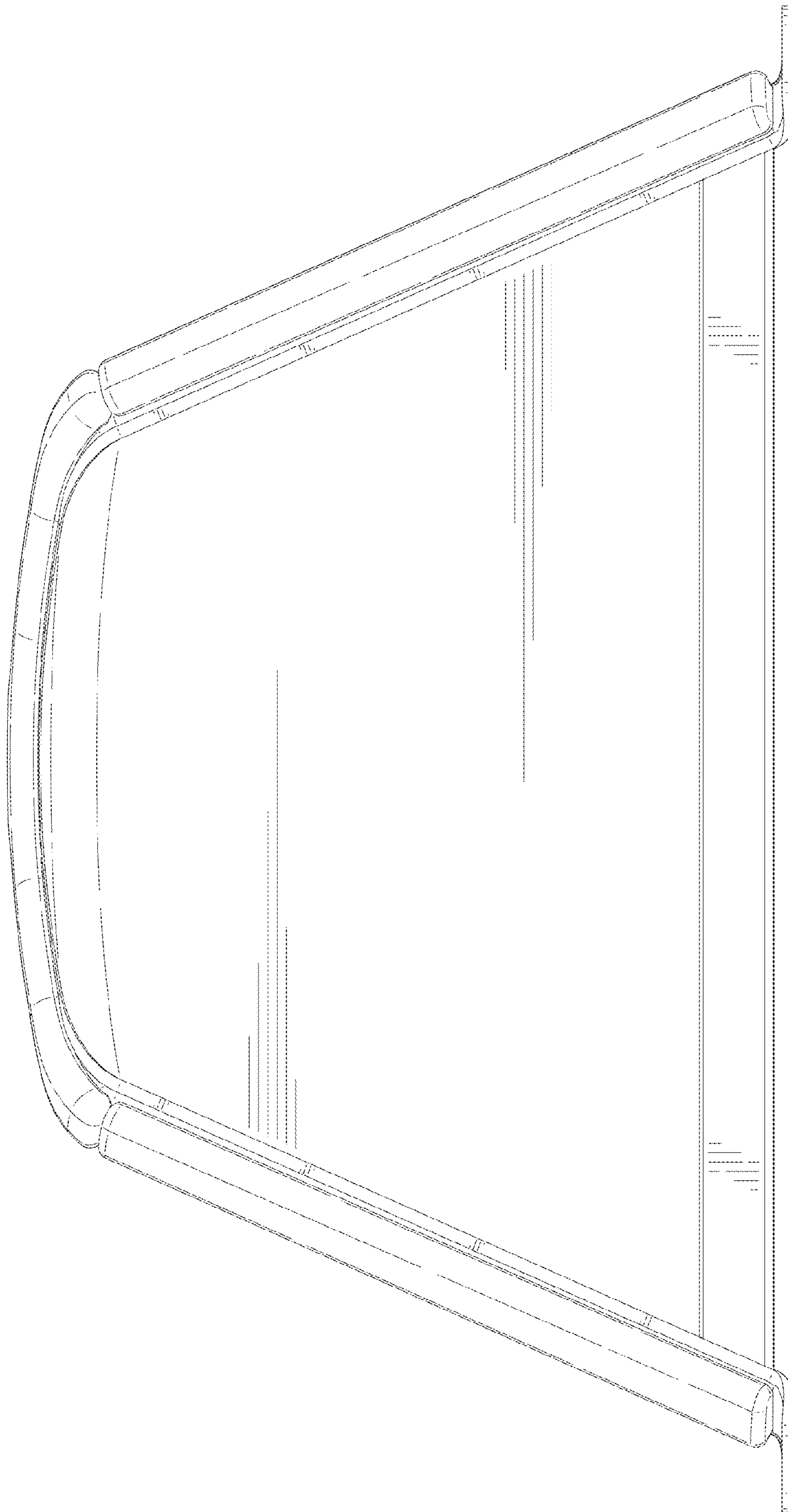


FIG. 4

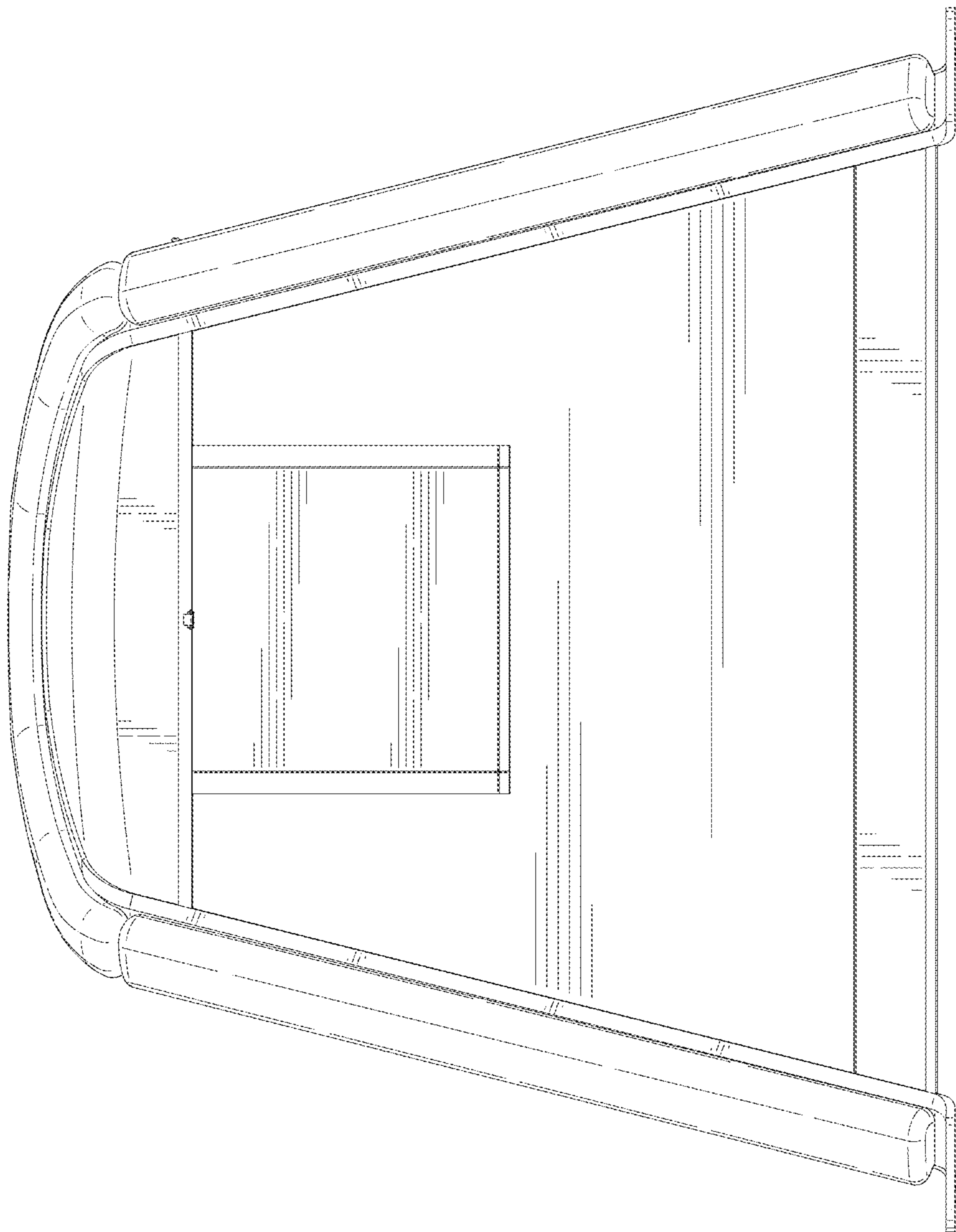


FIG. 5

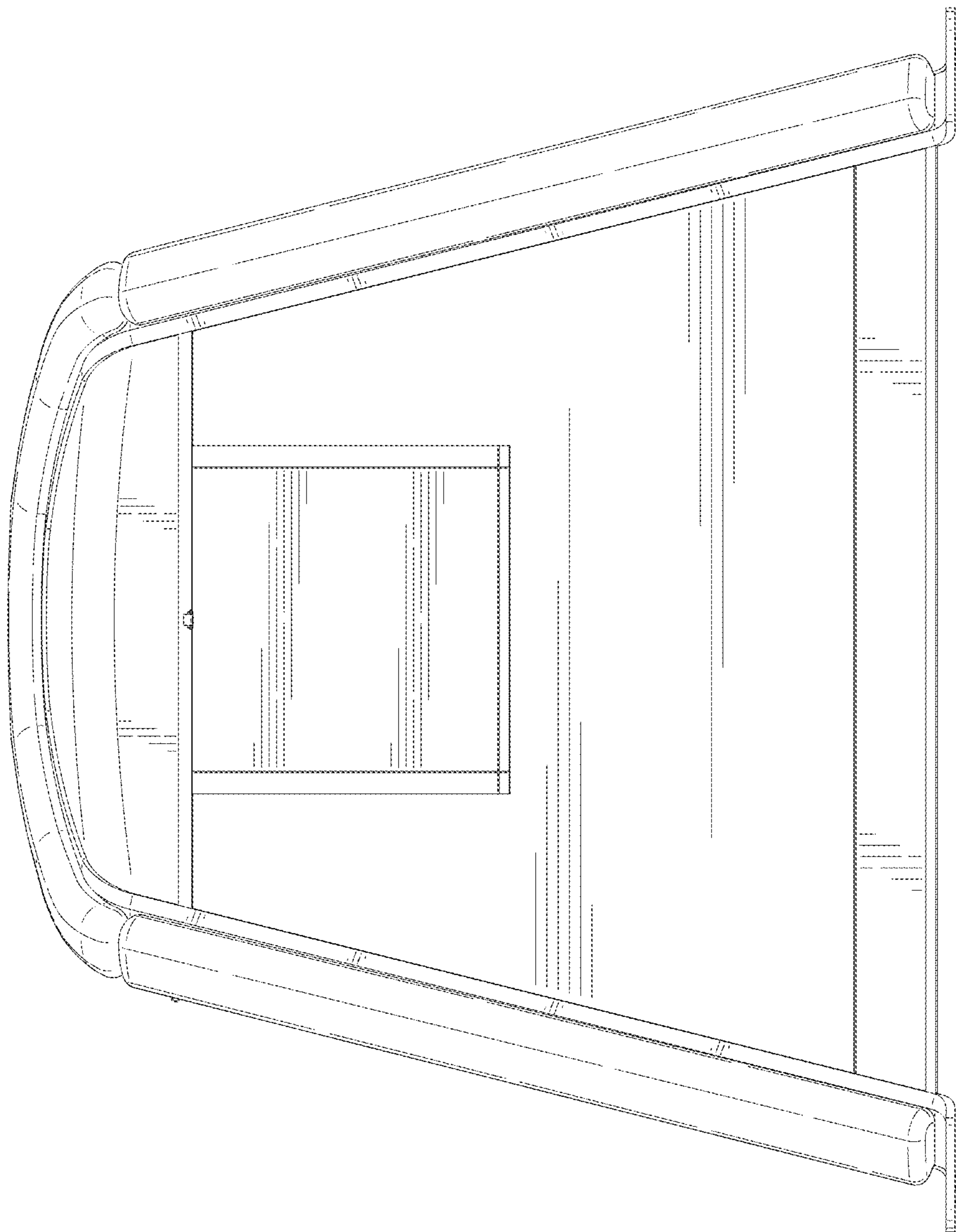


FIG. 6

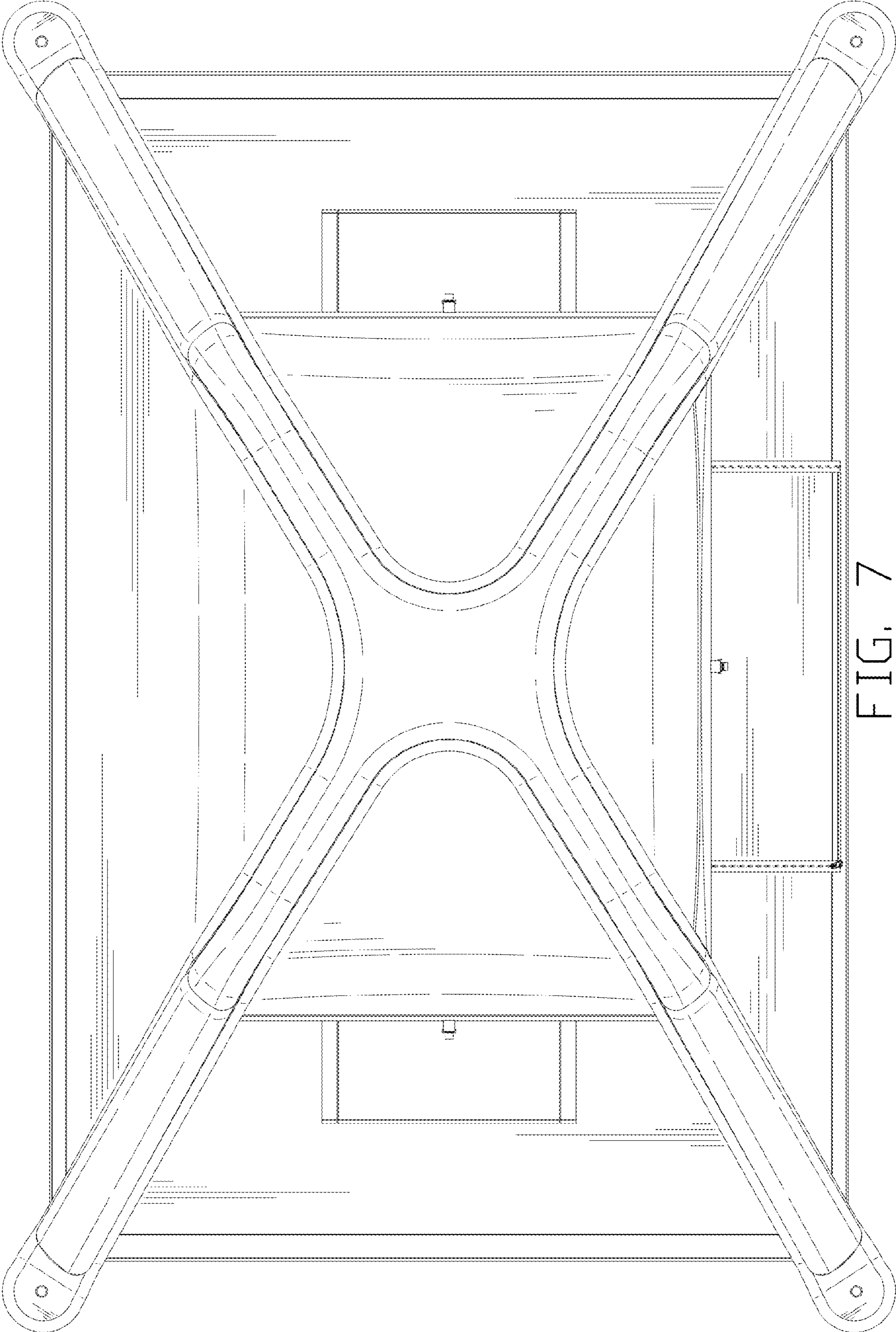


FIG. 7



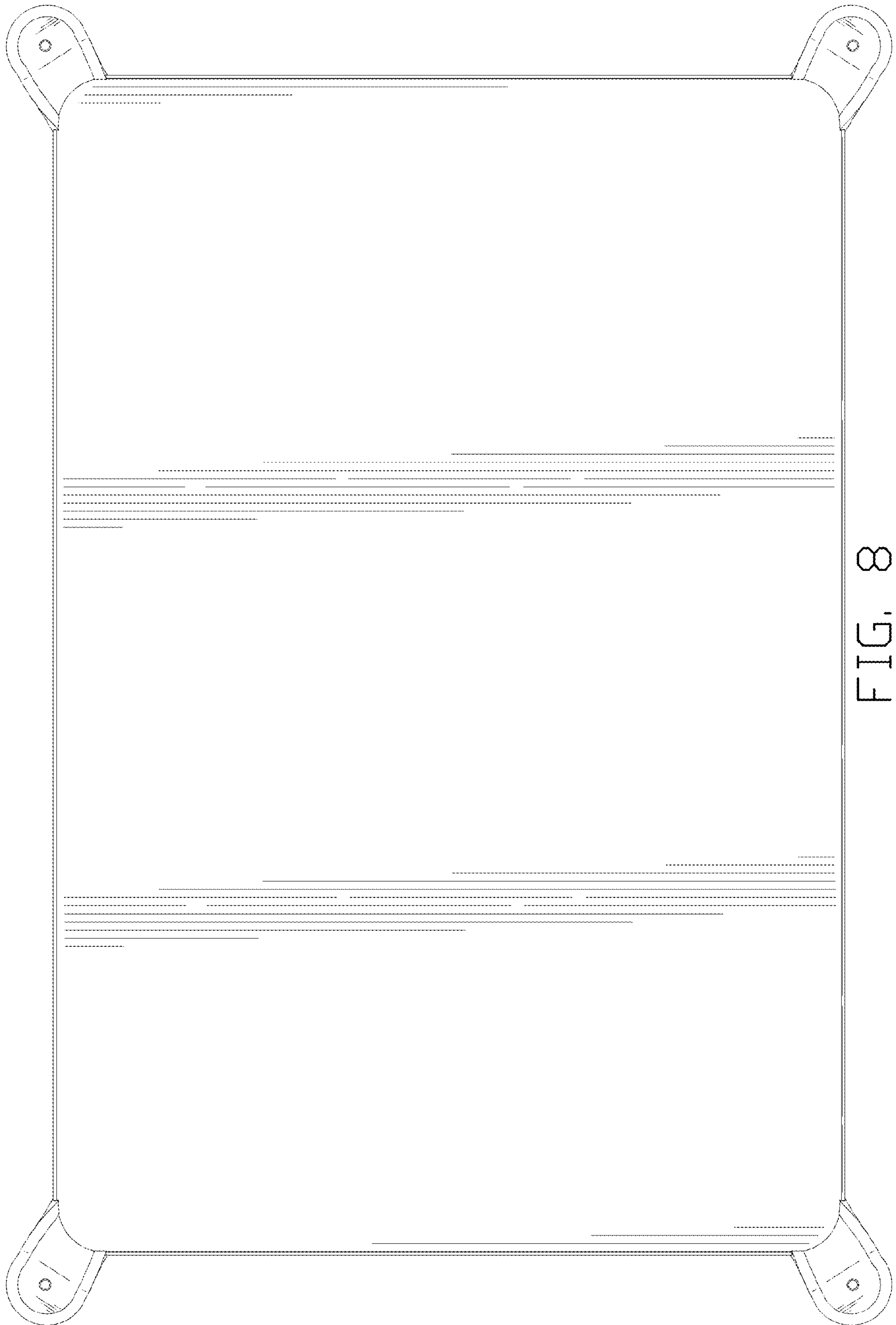


FIG. 8

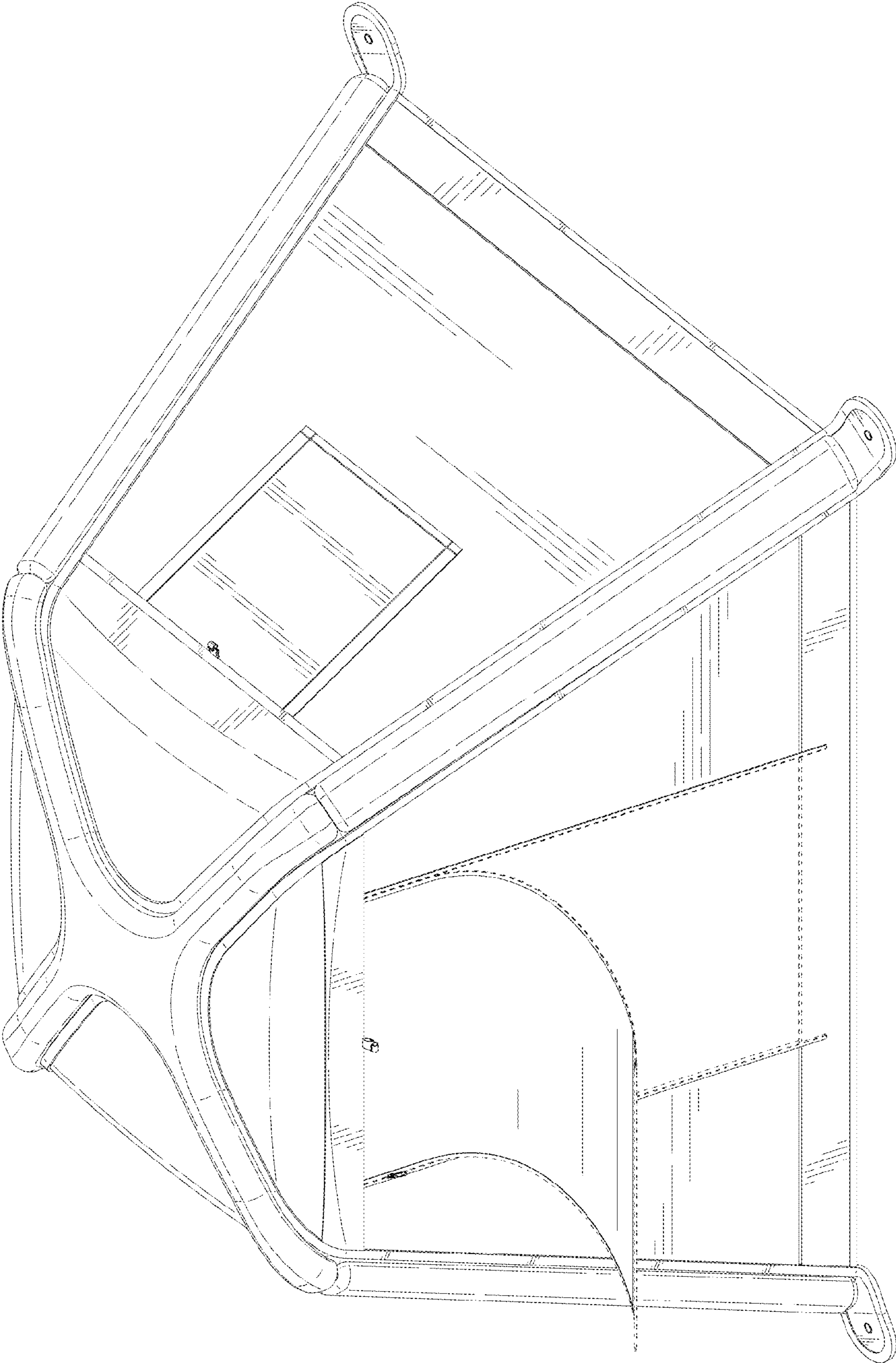


FIG. 9