



US00D952090S

(12) **United States Design Patent**  
**Hsu**

(10) **Patent No.:** **US D952,090 S**

(45) **Date of Patent:** **\*\* May 17, 2022**

(54) **POOL WITH BASKETBALL GOAL**

(71) Applicant: **Intex Marketing Ltd.**, Tortola (VG)

(72) Inventor: **Kun Chao Hsu**, Fujian (CN)

(73) Assignee: **INTEX MARKETING LTD.**, Tortola (VG)

(\*\*) Term: **15 Years**

(21) Appl. No.: **29/713,197**

(22) Filed: **Nov. 14, 2019**

(30) **Foreign Application Priority Data**

May 15, 2019 (CN) ..... 201930235108.2

(51) **LOC (13) Cl.** ..... **21-01**

(52) **U.S. Cl.**  
USPC ..... **D21/815**

(58) **Field of Classification Search**  
USPC ..... D21/803, 804, 807, 808, 809, 810, 815;  
D6/392, 595, 596, 601, 604, 605;  
D30/160; D24/194, 195, 214; D11/158  
CPC .. A63B 21/4005; A47C 15/006; A47C 15/008  
See application file for complete search history.

(56) **References Cited**

**U.S. PATENT DOCUMENTS**

D271,122 S	*	10/1983	Mariol	.....	D21/815
D293,364 S	*	12/1987	Everard	.....	D21/815
D386,238 S	*	11/1997	Peterson	.....	D21/815
D404,457 S	*	1/1999	Peterson	.....	D21/815
D409,707 S	*	5/1999	Peterson	.....	D21/815
D425,165 S	*	5/2000	Klimenko	.....	E04H 4/0025 D21/815
D434,826 S	*	12/2000	Hsu	.....	D21/815
D478,956 S	*	8/2003	Feuer	.....	D21/815
D554,729 S	*	11/2007	Peterson	.....	D21/815

D725,210 S	*	3/2015	Anastasia	.....	D21/815
D732,133 S	*	6/2015	Goldmeier	.....	D21/815
D741,436 S	*	10/2015	Lin	.....	D21/815
D771,221 S	*	11/2016	Lin	.....	D23/204
D772,421 S	*	11/2016	Lin	.....	D24/205
D773,063 S	*	11/2016	Lin	.....	D24/205
D824,469 S	*	7/2018	Mussa	.....	D21/815
D900,267 S	*	10/2020	Zhang	.....	E04H 4/0025 D21/815

(Continued)

**OTHER PUBLICATIONS**

“INTEX Octagonal swimming pool + basketball hoop” Sep. 16, 2019, site visited Aug. 19, 2021: <https://www.amazon.fr/INTEX-Piscinette-octogonale-panier-basket/dp/B07VXTR9P4> (Year: 2019).\*

(Continued)

*Primary Examiner* — Michael C Stout

*Assistant Examiner* — Melvin L Davis

(74) *Attorney, Agent, or Firm* — Faegre Drinker Biddle & Reath LLP

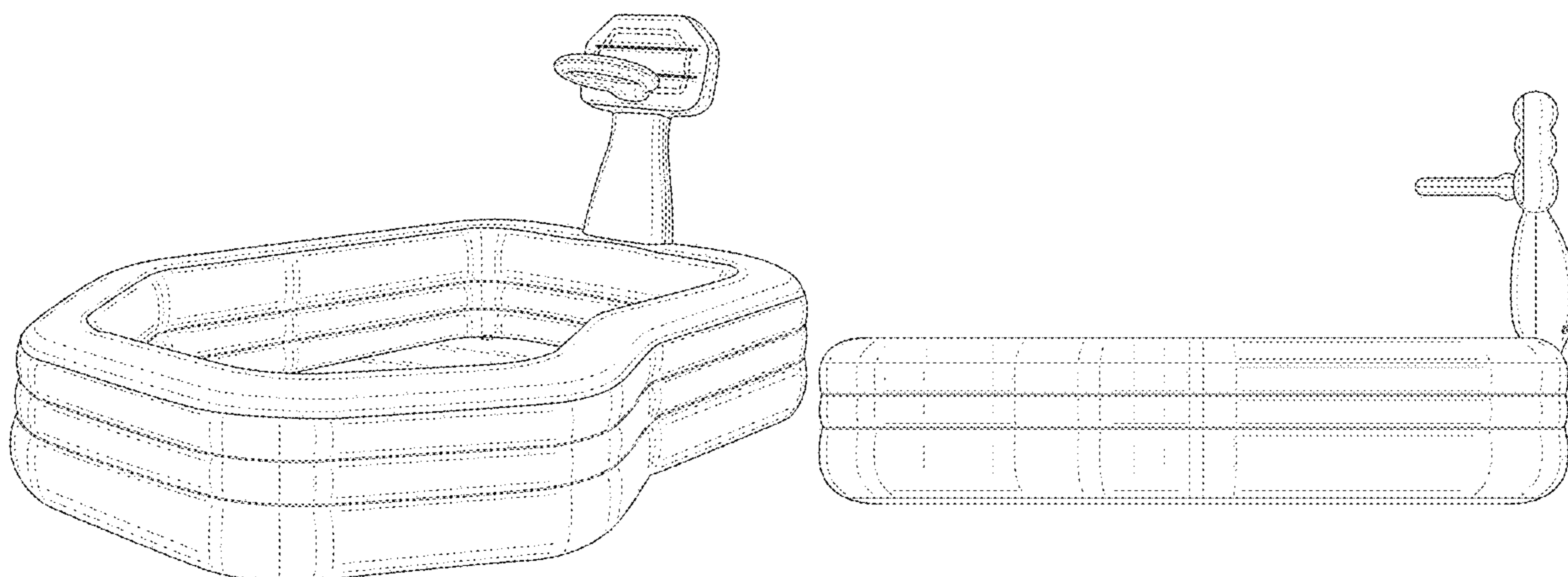
(57) **CLAIM**

The ornamental design for a pool with basketball goal, as shown and described.

**DESCRIPTION**

FIG. 1 is a front perspective view of a pool with basketball goal showing my new design;  
FIG. 2 is a front elevational view thereof;  
FIG. 3 is a rear elevational view thereof;  
FIG. 4 is a left side elevational view thereof;  
FIG. 5 is a right side elevational view thereof;  
FIG. 6 is a top plan view thereof; and,  
FIG. 7 is a bottom plan view thereof.  
The broken lines in the drawings depict portions of the pool with basketball goal that form no part of the claimed design.

**1 Claim, 7 Drawing Sheets**



(56)

**References Cited**

U.S. PATENT DOCUMENTS

D903,803 S \* 12/2020 Tao ..... D21/815  
D928,268 S \* 8/2021 Pan ..... D21/815

OTHER PUBLICATIONS

Inflatable Pool Basketball Hoop, site visited Nov. 11, 2019, copyright date 2018, publication date unknown. Available online: <https://www.saleinflatables.com/inflatable-pool-basketball-hoop.html>, 1 page.

Little Tikes Slam Dunk Big Ball Pit, site visited Nov. 11, 2019, review dated Sep. 10, 2013. Available online: <https://www.walmart.com/ip/Little-Tikes-Slam-Dunk-Big-Ball-Pit/22472415>, 3 pages.

H2OGO! Basketball Inflatable Play Pool, site visited Nov. 11, 2019, review dated Sep. 6, 2014. Available online: [https://www.amazon.com/H2OGO-Basketball-Inflatable-Play-Pool/dp/BO00FILJX1S/ref=sr\\_1\\_4?keywords=bestway+basketball&qid=1569702327&sr=8-4](https://www.amazon.com/H2OGO-Basketball-Inflatable-Play-Pool/dp/BO00FILJX1S/ref=sr_1_4?keywords=bestway+basketball&qid=1569702327&sr=8-4), 2 pages.

Little Tikes Super Slam 'n Dunk, release date Jan. 1, 2018. Available online: <https://www.amazon.com/Little-Tikes-Super-Slam-Dunk/dp/B075TQMPNP>, 8 pages.

\* cited by examiner

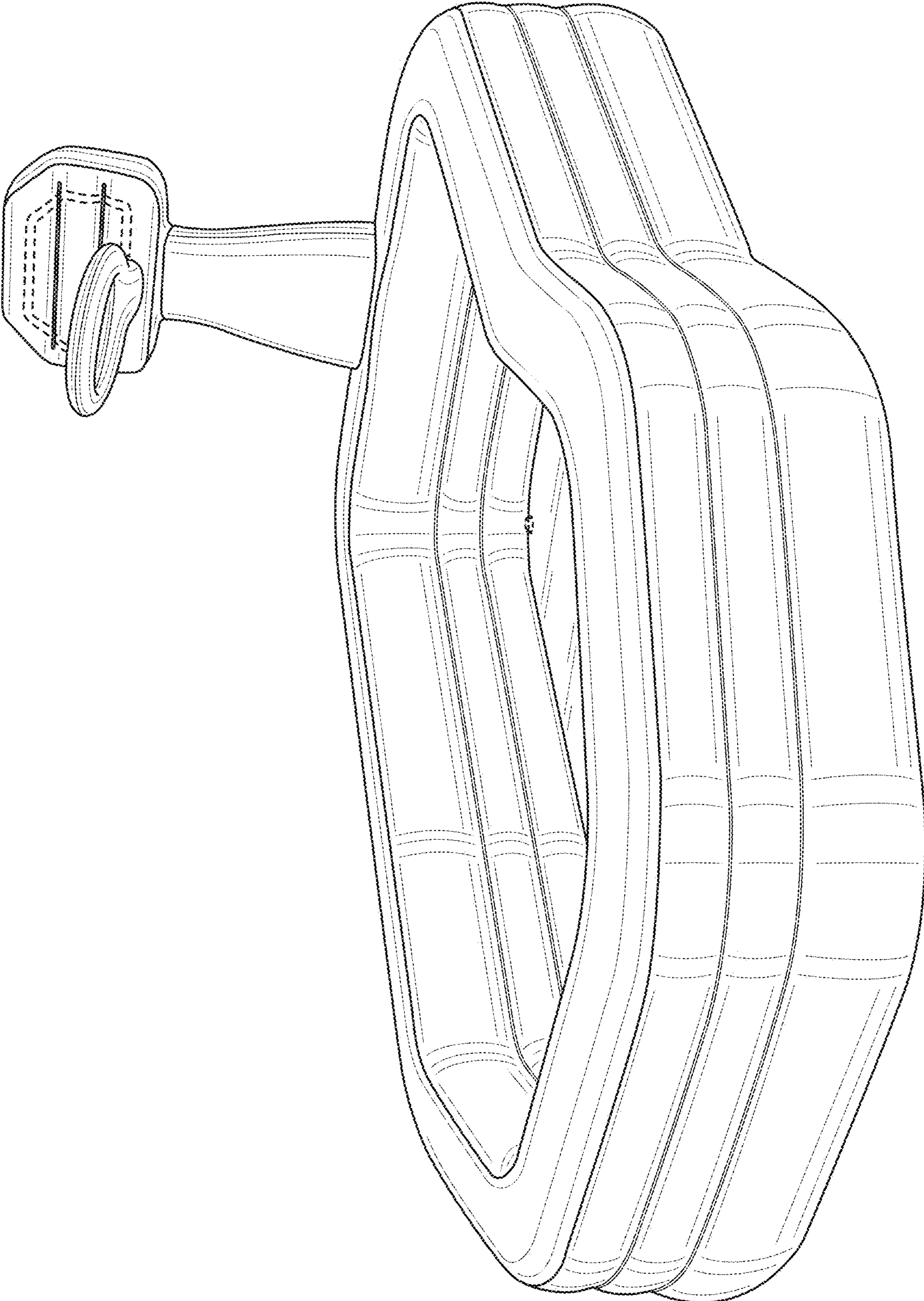


FIG. 1



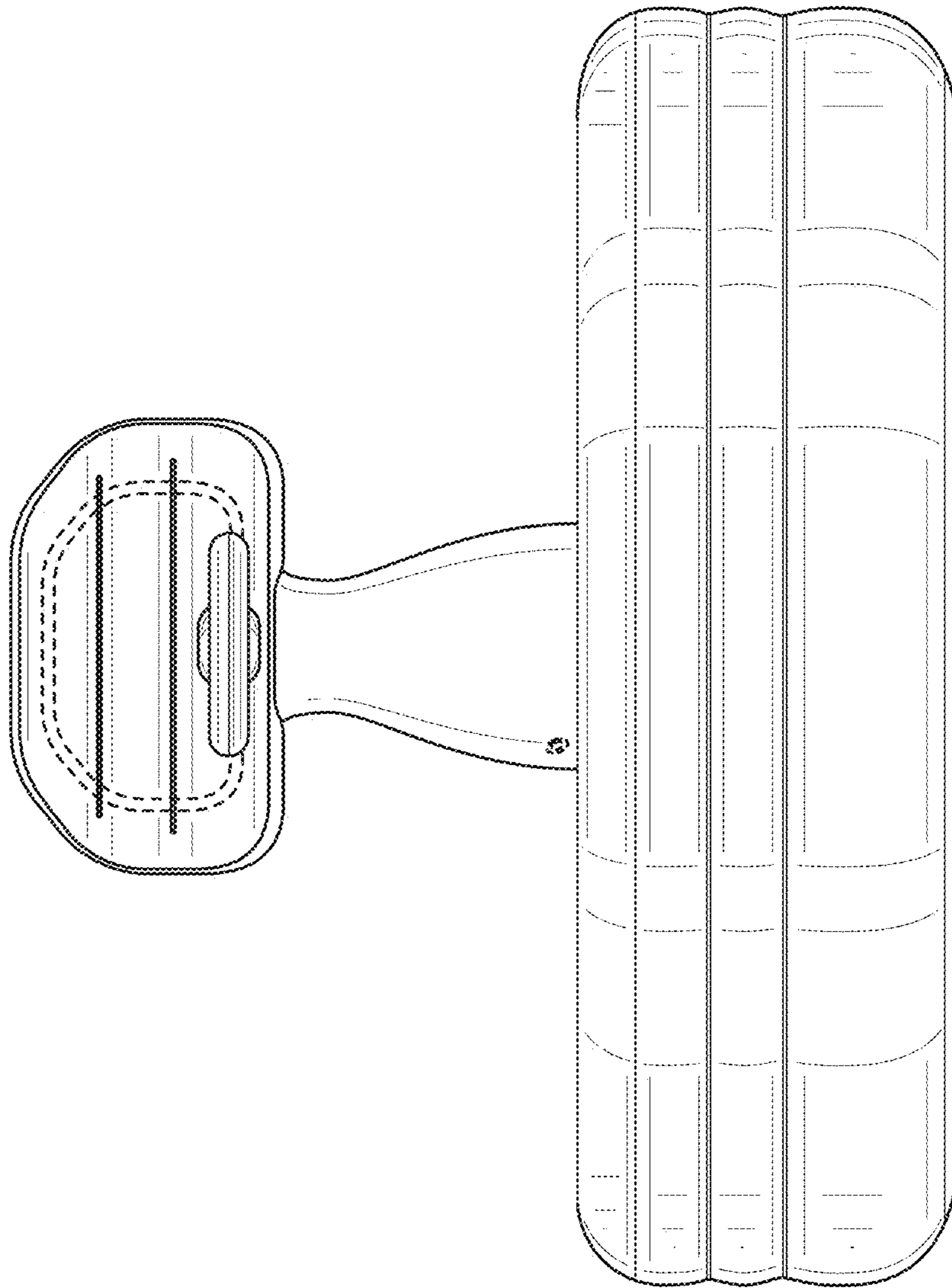


FIG. 2

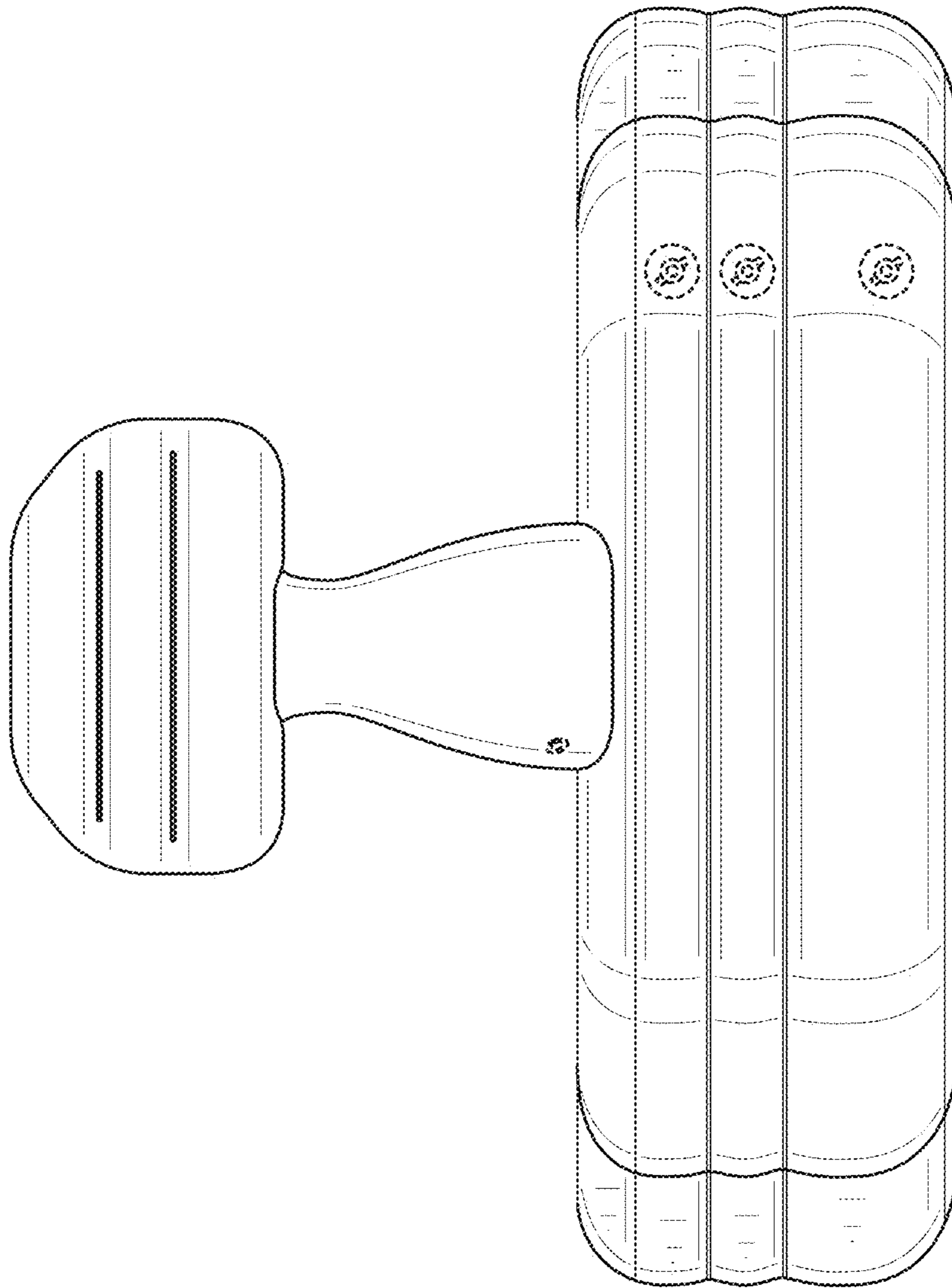


FIG. 3

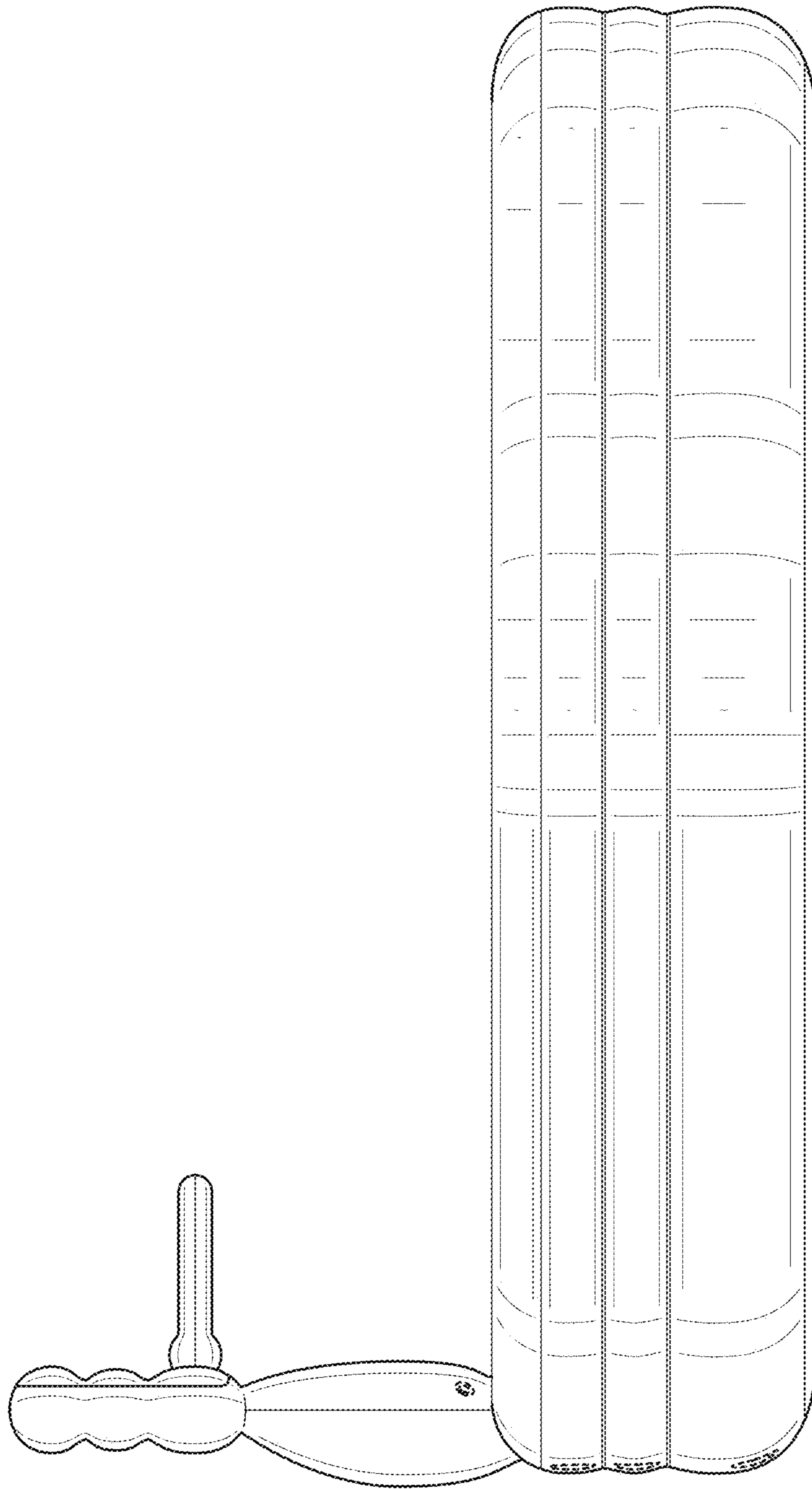


FIG. 4

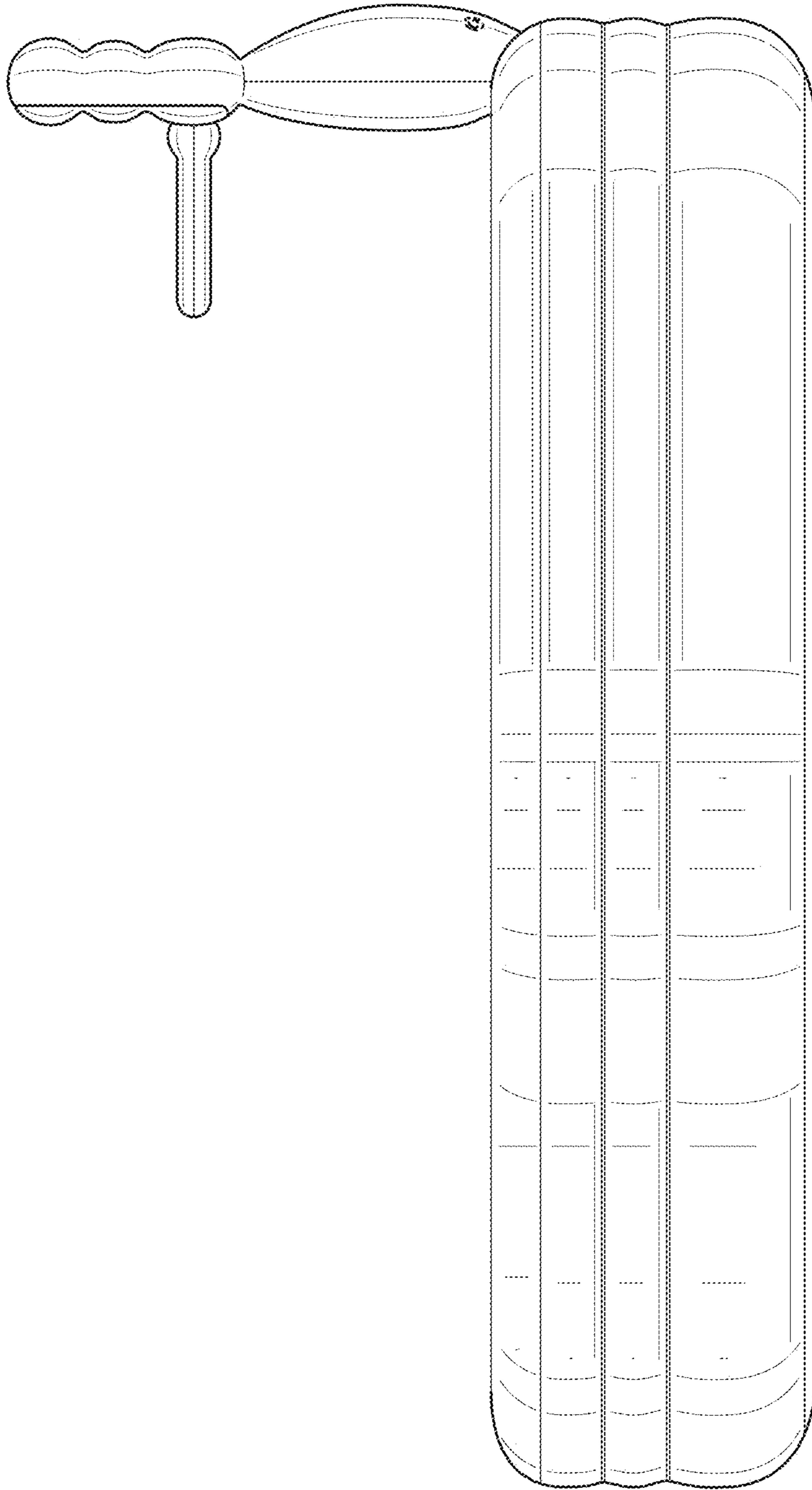


FIG. 5

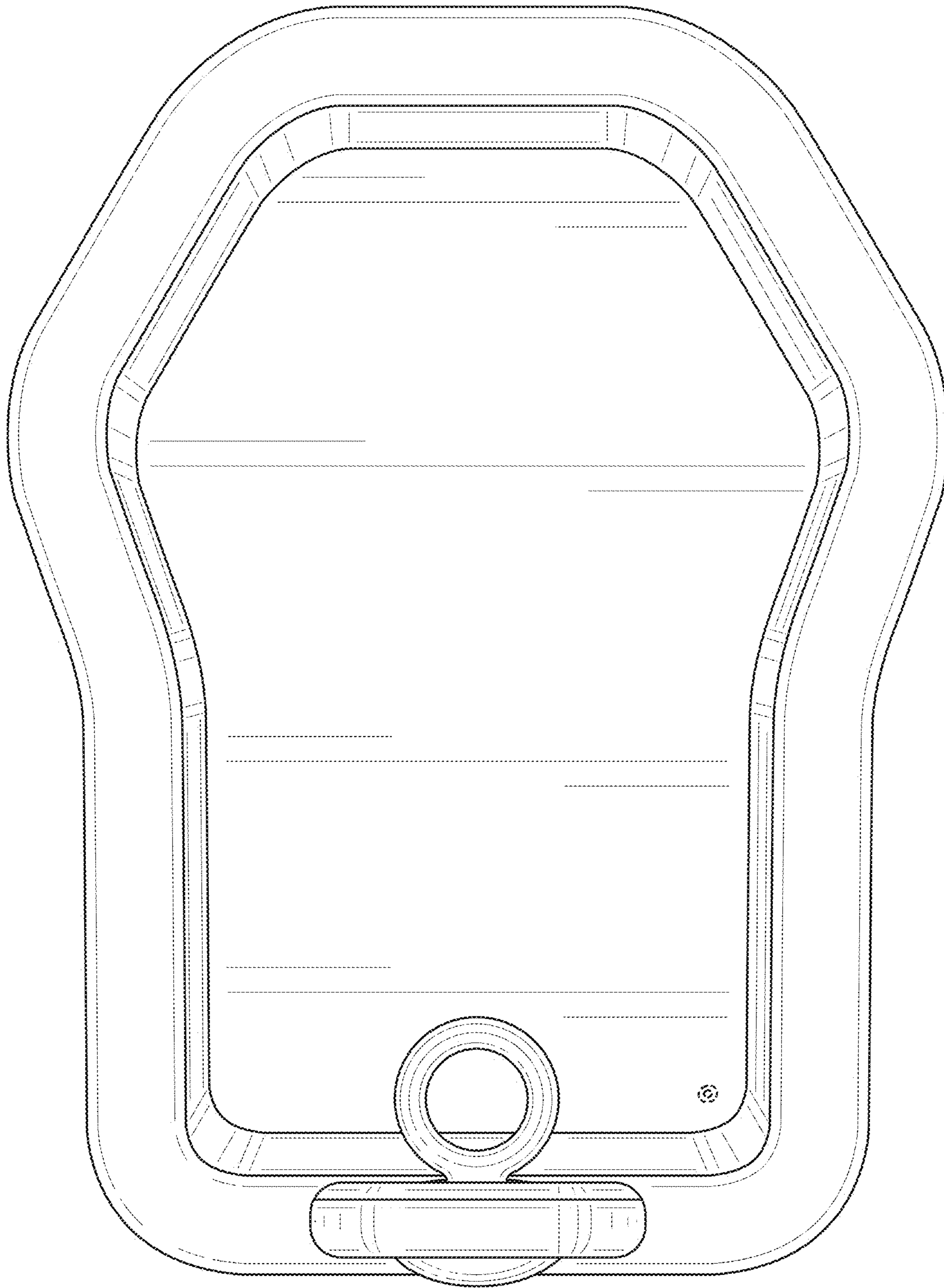


FIG. 6



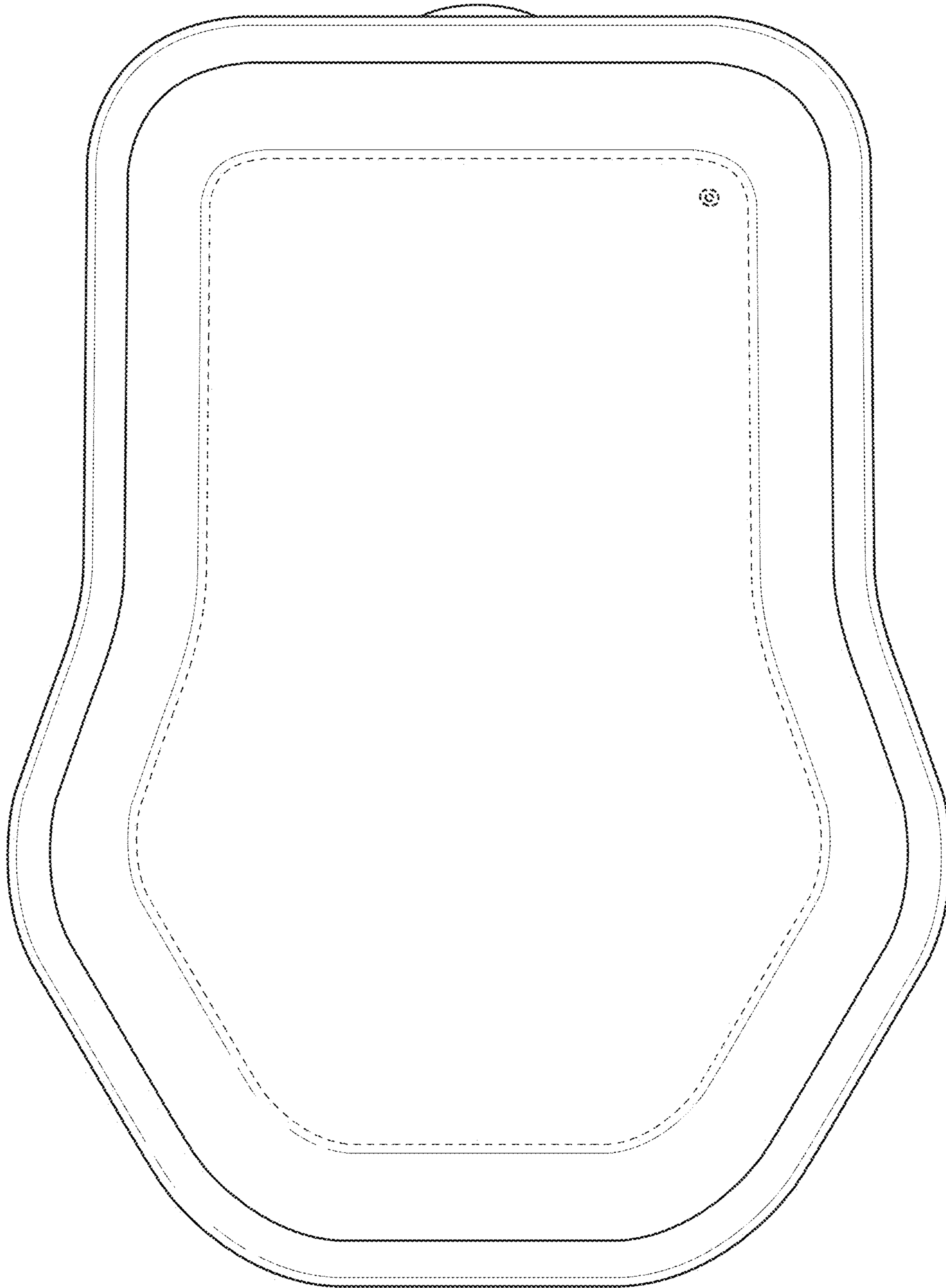


FIG. 7