



US00D952087S

(12) **United States Design Patent**
Barrett

(10) **Patent No.:** **US D952,087 S**

(45) **Date of Patent:** **** May 17, 2022**

- (54) **INDICA FOR PUTTER**
- (71) Applicant: **Triple Track, LLC**, St. Louis, MO (US)
- (72) Inventor: **W. Raymond Barrett**, St. Louis, MO (US)
- (73) Assignee: **TRIPLE TRACK, LLC**, St. Louis, MO (US)
- (**) Term: **15 Years**
- (21) Appl. No.: **29/805,906**
- (22) Filed: **Aug. 31, 2021**
- (51) **LOC (13) Cl.** **21-02**
- (52) **U.S. Cl.**
USPC **D21/759**
- (58) **Field of Classification Search**
USPC D21/736-746, 759
CPC A63B 53/00; A63B 53/04; A63B 53/007;
A63B 53/065; A63B 53/0487; A63B
60/00; A63B 60/46
See application file for complete search history.

7,156,752	B1 *	1/2007	Bennett	A63B 53/02 473/340
7,371,184	B2 *	5/2008	Tao	A63B 53/0487 473/251
D617,857	S *	6/2010	Sones	D21/746
7,828,669	B1 *	11/2010	Stites	A63B 53/047 473/238
8,235,830	B2 *	8/2012	Stites	A63B 53/047 473/238
D667,068	S *	9/2012	Loudenslager	D21/759
8,414,410	B1 *	4/2013	Flaherty	A63B 53/0466 473/238
8,480,504	B2 *	7/2013	Hilton	A63B 53/0487 473/340

(Continued)

Primary Examiner — Mitchell I. Siegel
(74) *Attorney, Agent, or Firm* — Stinson LLP

(57) **CLAIM**

The ornamental design for indicia for putter, as shown and described.

DESCRIPTION

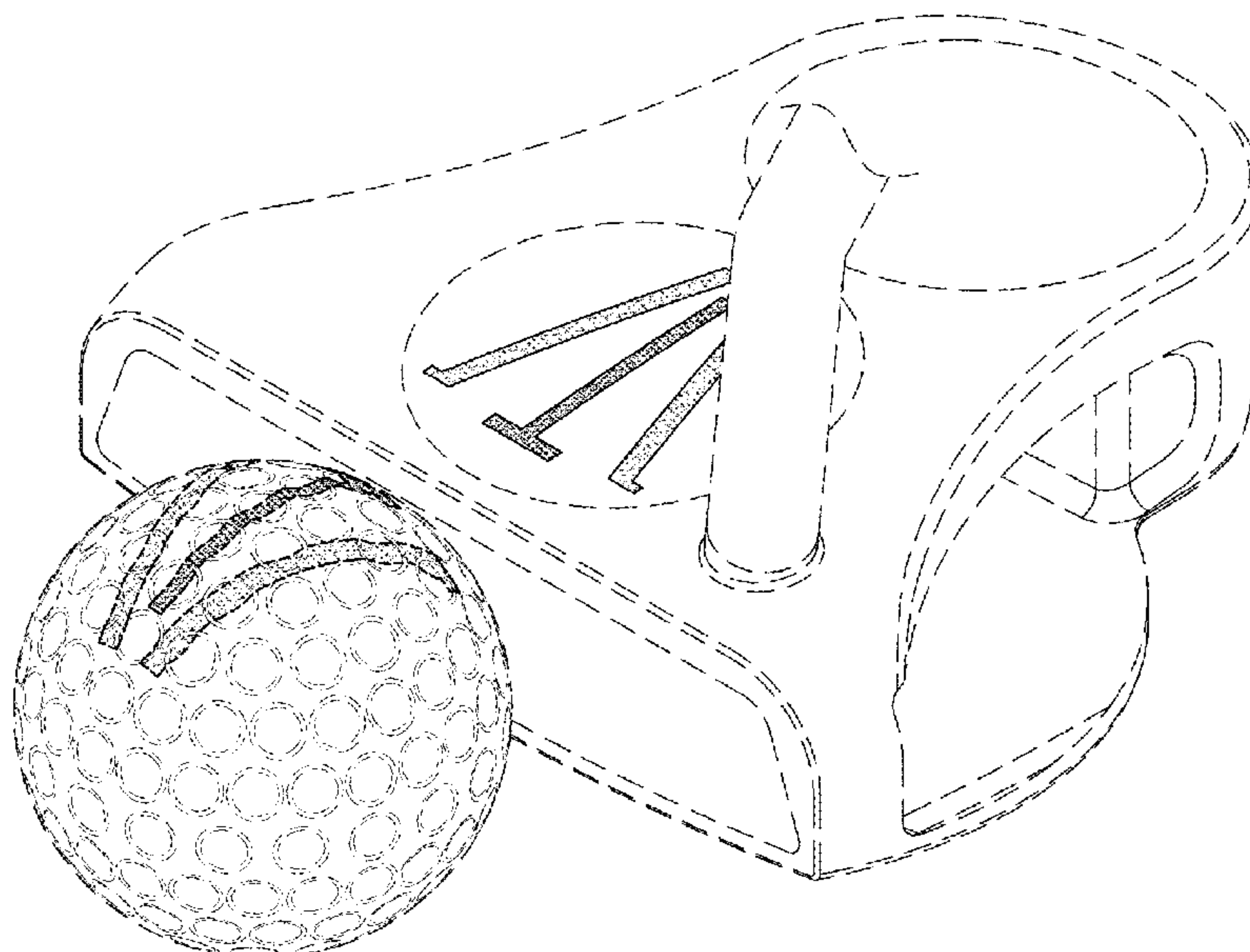
FIG. 1 is a perspective view of indicia for putter in the form of two outer converging segments of a first color and a center segment therebetween of a second color;
FIG. 2 is a front elevational view thereof;
FIG. 3 is a top plan view thereof;
FIG. 4 is a right side elevational view thereof;
FIG. 5 is a rear elevational view thereof;
FIG. 6 is a bottom plan view thereof; and,
FIG. 7 is a left side elevational view thereof.

The shading shown in the drawings represents a color contrast consistent with the visual appearance shown in the drawings.

The broken lines shown in the drawings are for the purpose of illustrating an environment, including a golf ball and a putter head, that form no part of the claimed design.

1 Claim, 7 Drawing Sheets

- (56) **References Cited**
U.S. PATENT DOCUMENTS
2,859,972 A * 11/1958 Reach A63B 60/00
473/242
3,468,545 A * 9/1969 Kay A63B 69/3629
40/454
D298,767 S * 11/1988 Szczepanski D21/744
D356,356 S * 3/1995 Jacobs D21/744
D366,919 S * 2/1996 Jacobs D21/745
5,776,016 A * 7/1998 Benoit A63B 69/3632
473/409
D405,137 S * 2/1999 Nelson D21/738
D483,426 S * 12/2003 Green D21/744
D483,825 S * 12/2003 Green D21/744
D494,239 S * 8/2004 Green D21/742



(56)

References Cited

U.S. PATENT DOCUMENTS

8,690,700 B2 * 4/2014 Flaherty A63B 53/0466
473/238
D716,392 S * 10/2014 Lee D21/759
9,358,433 B2 * 6/2016 Flaherty A63B 69/3632
9,656,132 B2 * 5/2017 Flaherty A63B 69/3632
D888,174 S * 6/2020 Rollinson D21/744
2006/0293113 A1 12/2006 Pelz
2010/0304878 A1 * 12/2010 Reichow A63B 53/0487
473/340
2010/0323806 A1 * 12/2010 Stites A63B 69/3632
473/409
2011/0081982 A1 * 4/2011 Stites A63B 53/0466
473/257

* cited by examiner

FIG. 1

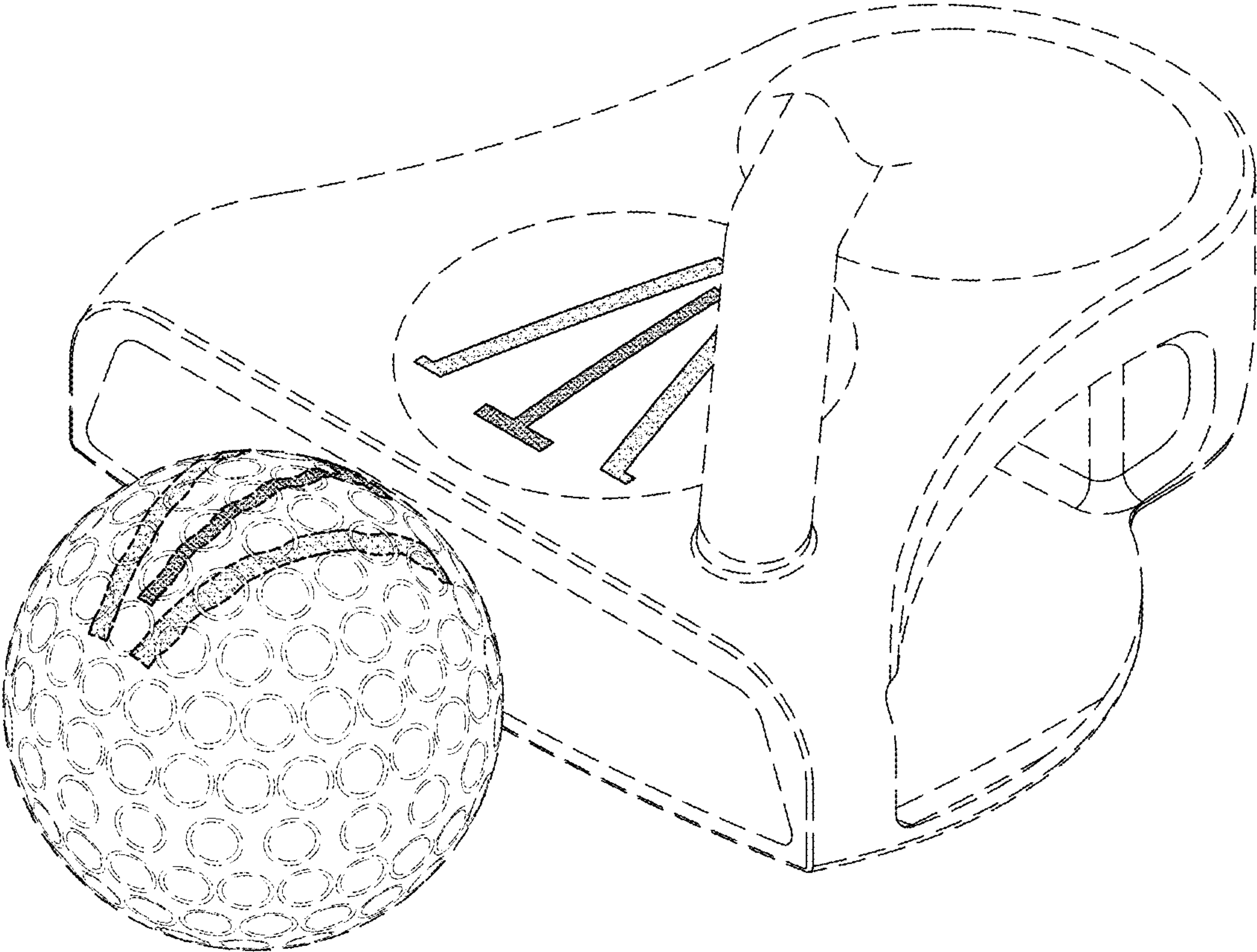


FIG. 2

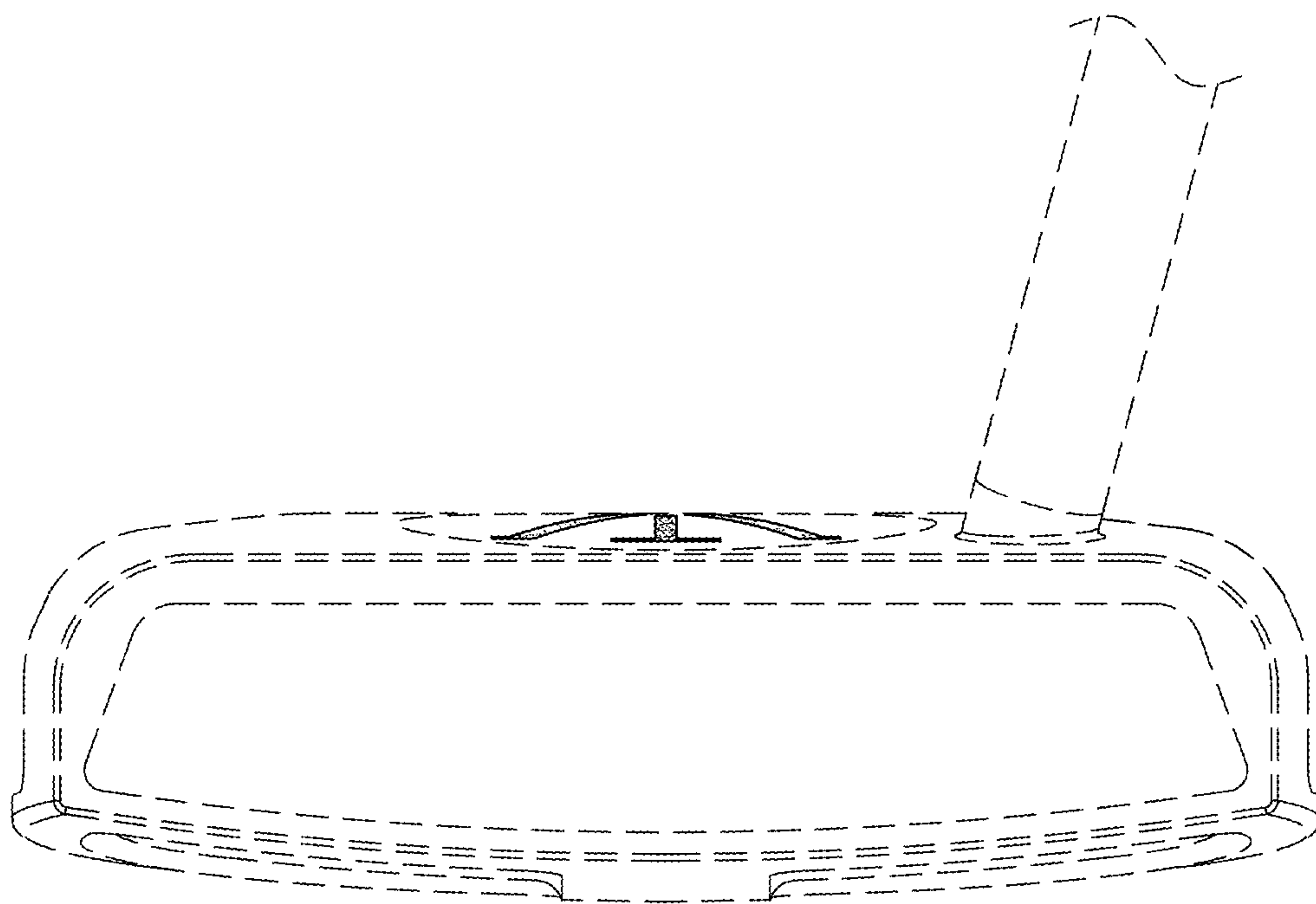


FIG. 3

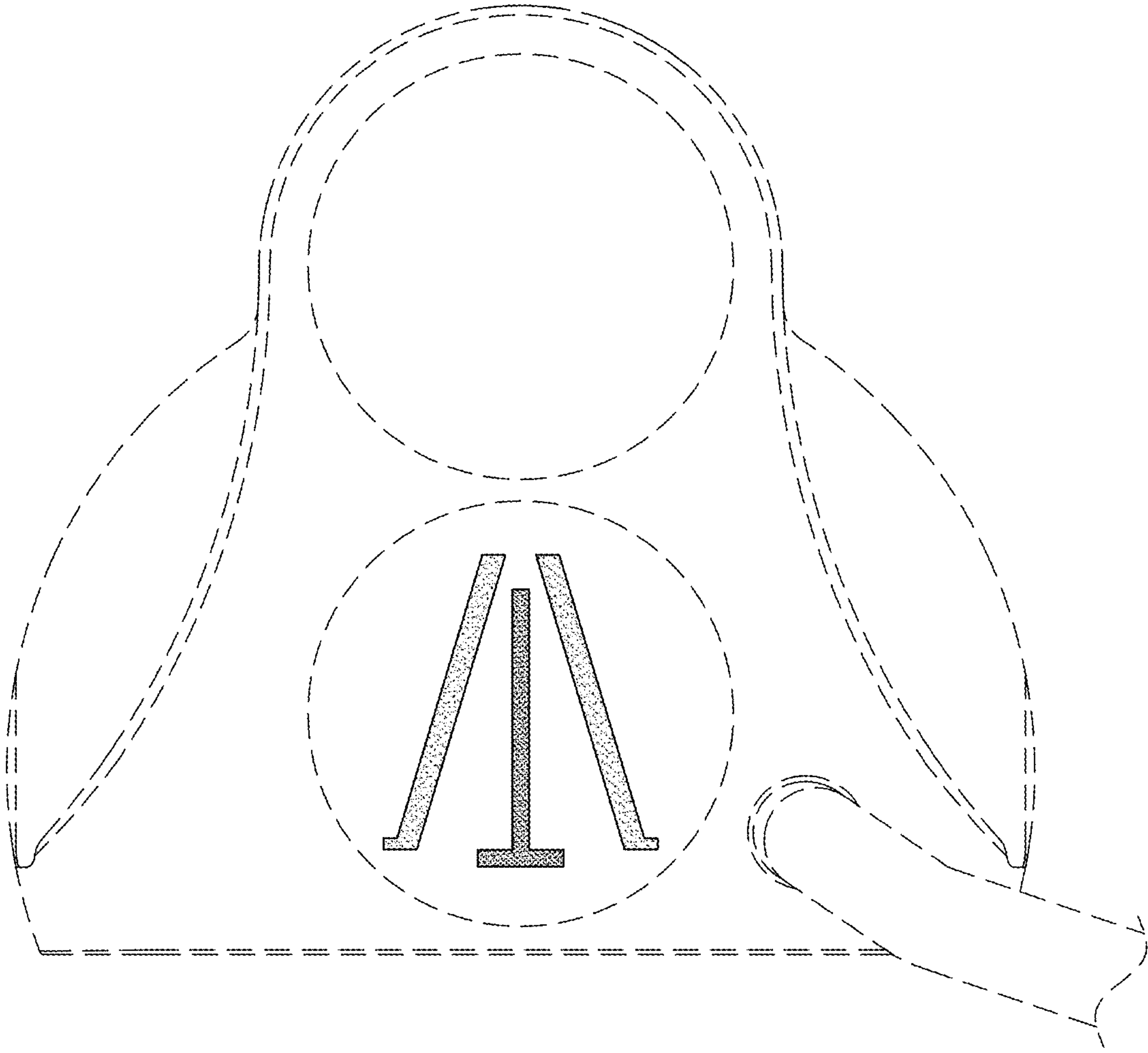


FIG. 4

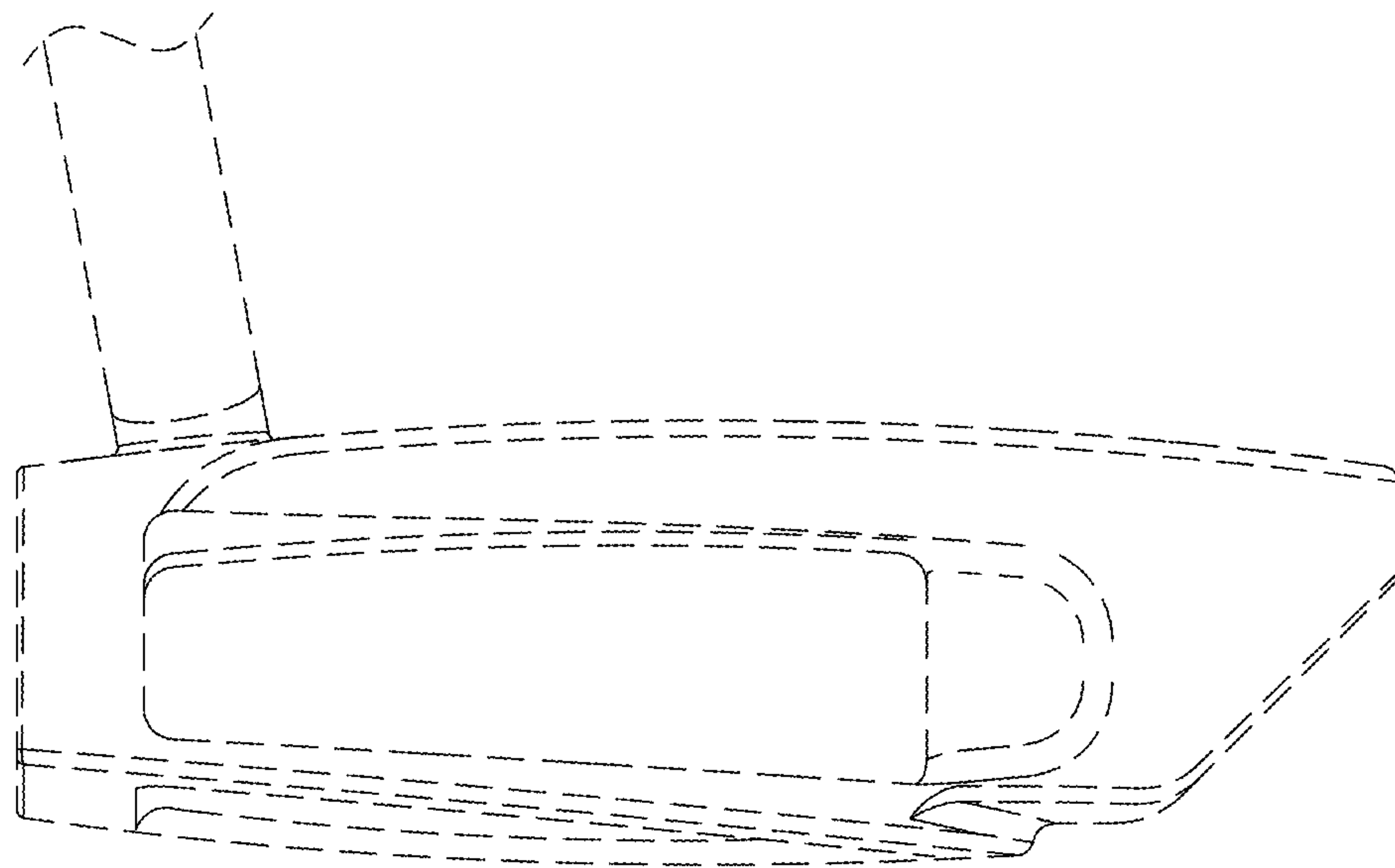


FIG. 5

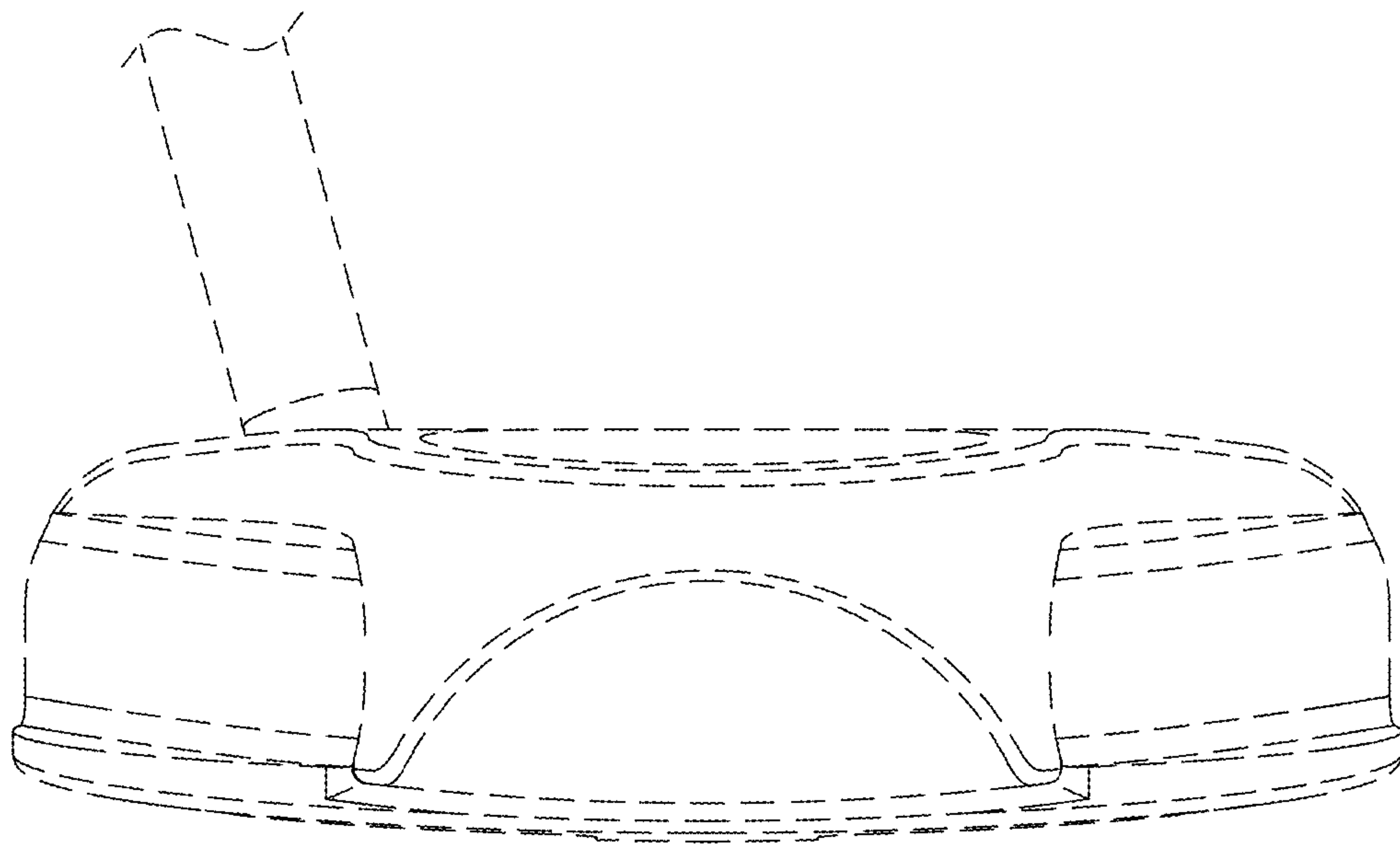


FIG. 6

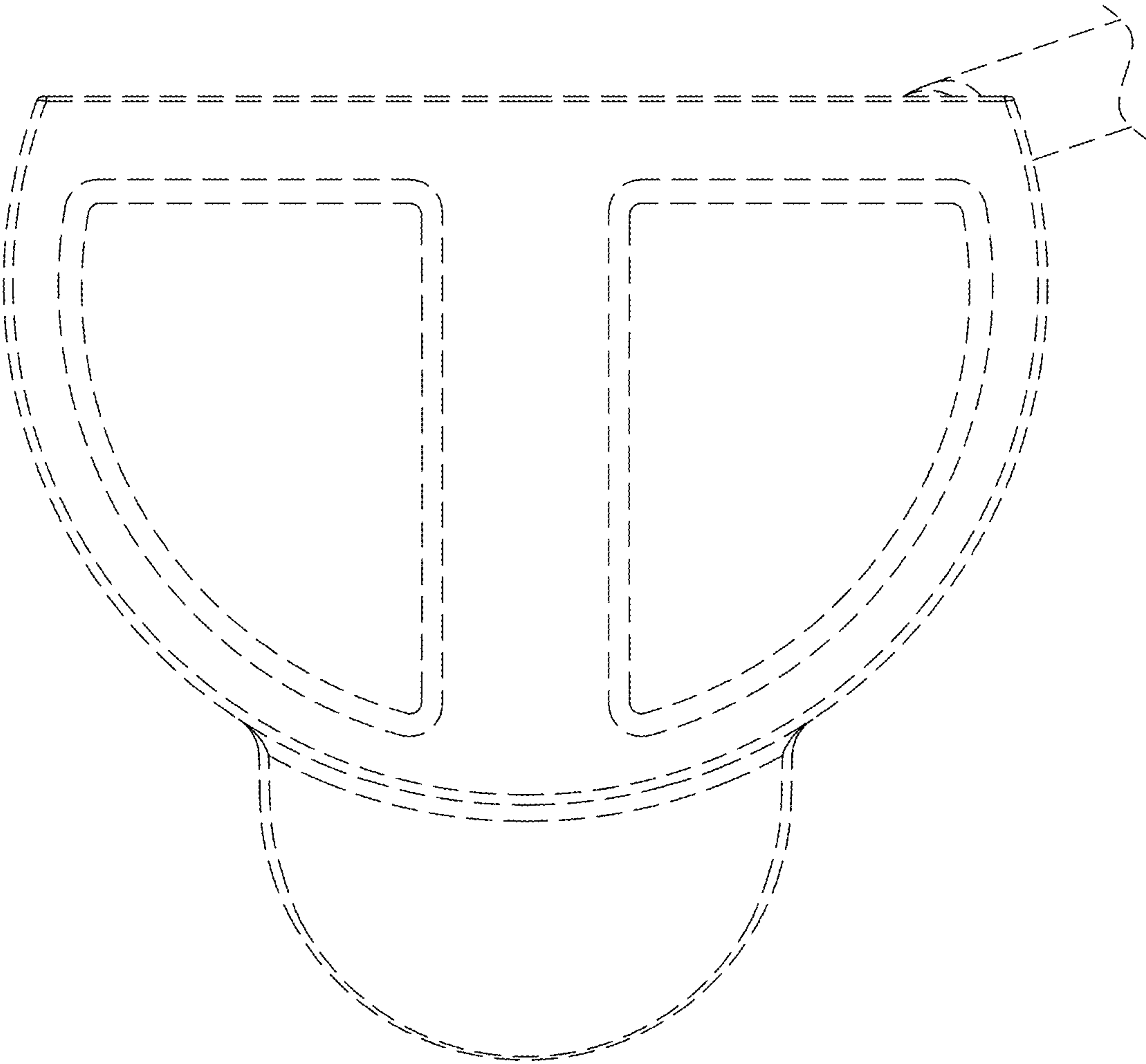


FIG. 7

