



(12) **United States Design Patent**  
**Behar et al.**

(10) **Patent No.:** **US D952,080 S**  
(45) **Date of Patent:** **\*\* May 17, 2022**

(54) **HANDLE**  
(71) Applicant: **Interactive Strength, Inc.**, Carson City, NV (US)  
(72) Inventors: **Yves Albert Behar**, San Francisco, CA (US); **Trent Ward**, West Hollywood, CA (US); **William Stuart**, San Francisco, CA (US); **Andrea Locatelli**, Milan (IT); **Jón Reyr Jóhannesson**, San Francisco, CA (US); **Karim El Katcha**, San Francisco, CA (US)

D628,660 S \* 12/2010 Verheem ..... A63B 21/0726  
D21/681  
8,684,889 B1 \* 4/2014 Berrisford ..... A63B 21/0726  
482/49  
8,894,556 B2 \* 11/2014 Webb ..... A63B 23/03533  
482/139  
D728,711 S \* 5/2015 Taylor ..... D21/694  
2007/0155599 A1 \* 7/2007 Hallar ..... A63B 21/0726  
482/108  
2008/0096738 A1 \* 4/2008 Kim ..... A63B 21/0726  
482/108  
2008/0287273 A1 \* 11/2008 Ma ..... A63B 21/0552  
482/108  
2015/0343260 A1 \* 12/2015 Rohanna ..... A63B 23/16  
482/50

(73) Assignee: **Interactive Strength, Inc.**, Carson City, NV (US)

(\*\*) Term: **15 Years**

(21) Appl. No.: **29/723,415**

(22) Filed: **Feb. 6, 2020**

(51) **LOC (13) Cl.** ..... **21-02**

(52) **U.S. Cl.**  
USPC ..... **D21/694**

(58) **Field of Classification Search**  
USPC ..... D21/694, 662, 684, 675, 677, 681, 756,  
D21/774, 807, 680  
CPC ..... A63B 21/072; A63B 21/075; A63B 23/16;  
A63B 21/05; A63B 21/0726; A63B  
21/4035

See application file for complete search history.

(56) **References Cited**

**U.S. PATENT DOCUMENTS**

D326,300 S \* 5/1992 King ..... D21/682  
5,135,455 A \* 8/1992 King ..... A63B 21/0726  
482/105  
5,242,350 A \* 9/1993 Chang ..... A63B 21/075  
482/105

**OTHER PUBLICATIONS**

Rotating handle, announced 2018 [online], [site visited Feb. 19, 2021]. Available from the internet, URL: <https://www.youtube.com/watch?v=gn6PtDrkgXU> (Year: 2018).\*

(Continued)

*Primary Examiner* — Khawaja Anwar

*Assistant Examiner* — Julice Seung Eun Oum

(74) *Attorney, Agent, or Firm* — David R. Stevens;  
Stevens Law Group

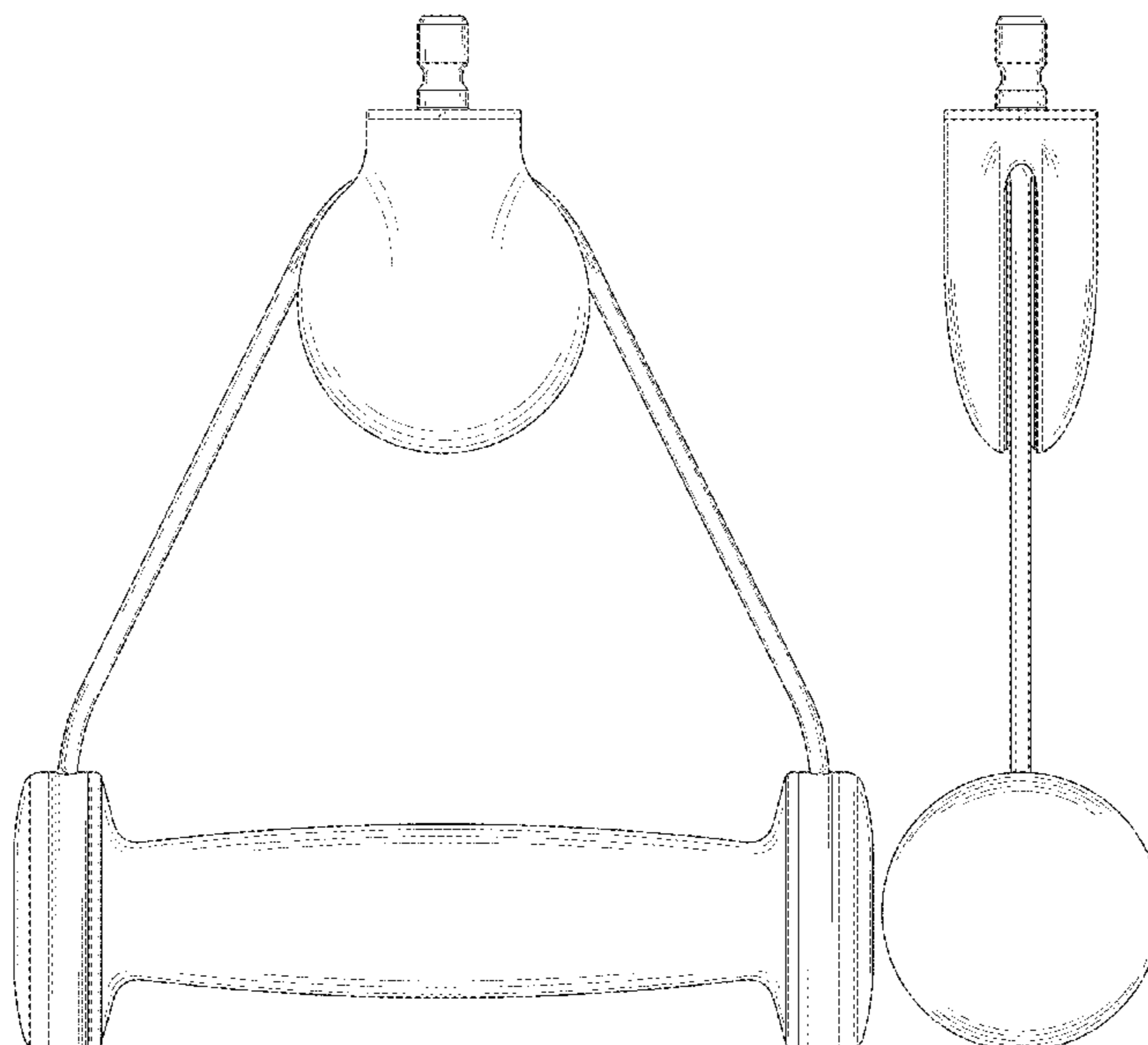
(57) **CLAIM**

The ornamental design for a handle, as shown and described.

**DESCRIPTION**

FIG. 1 is a front view of a handle.  
FIG. 2 is a rear view of the handle of FIG. 1.  
FIG. 3 is a left side view of the handle of FIG. 1.  
FIG. 4 is a right side view of the handle of FIG. 1.  
FIG. 5 is a top view of the handle of FIG. 1; and,  
FIG. 6 is a bottom view of the handle of FIG. 1.  
The dashed lines indicate the boundary of the claimed design.

**1 Claim, 6 Drawing Sheets**



(56)

**References Cited**

OTHER PUBLICATIONS

Crown sporting goods, announced 2015 [online], [site visited Feb. 19, 2021]. Available from the internet, URL: [https://www.amazon.com/Crown-Sporting-Goods-Neoprene-Sculpting/dp/B00TOM286E/ref=sr\\_1\\_229?dchild=1&keywords=dumbbell&qid=1617881126&sr=8-229](https://www.amazon.com/Crown-Sporting-Goods-Neoprene-Sculpting/dp/B00TOM286E/ref=sr_1_229?dchild=1&keywords=dumbbell&qid=1617881126&sr=8-229) (Year: 2015).\*

\* cited by examiner

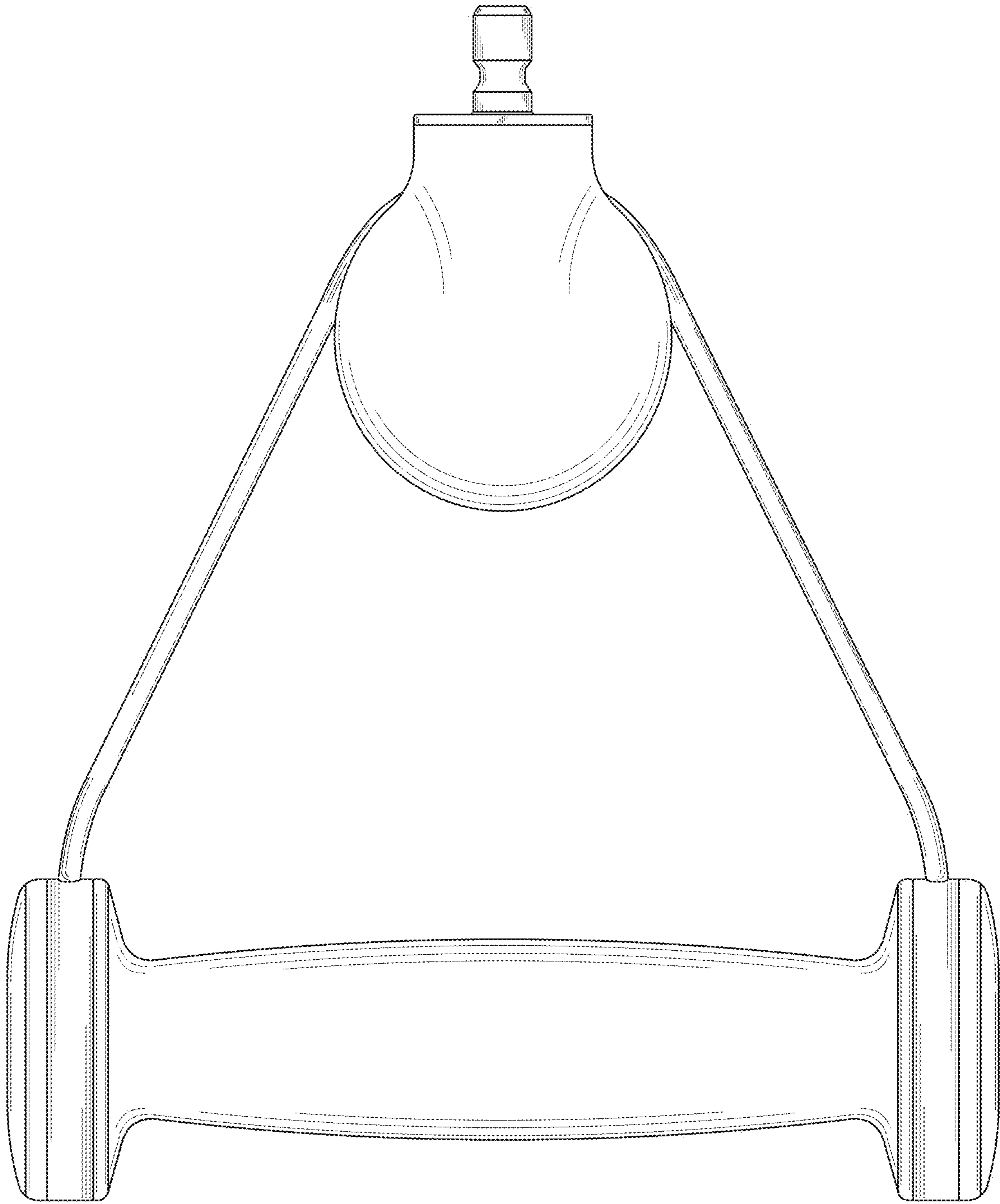


FIG. 1

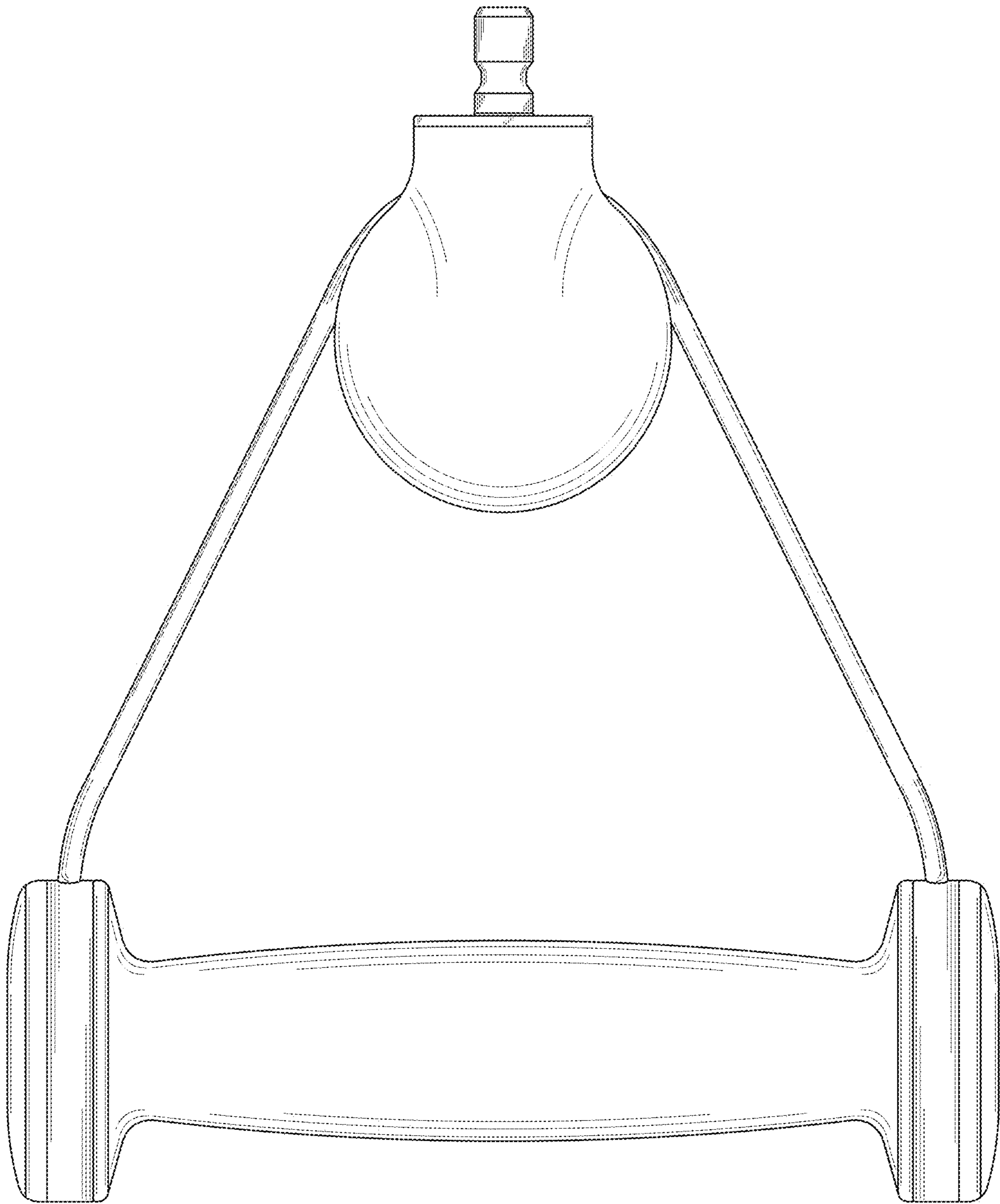


FIG. 2

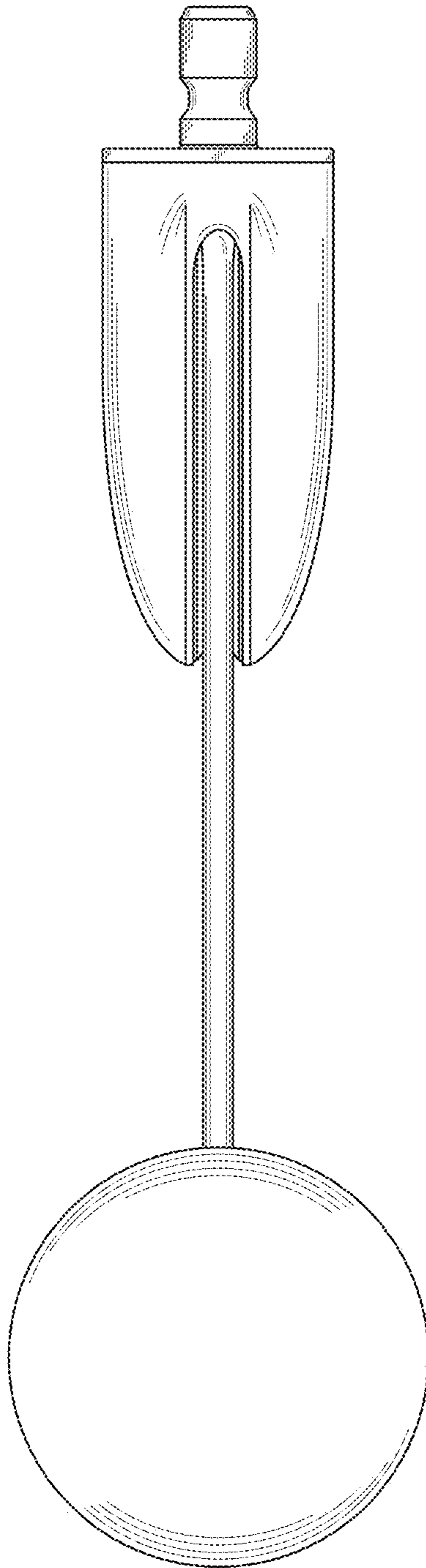


FIG. 3

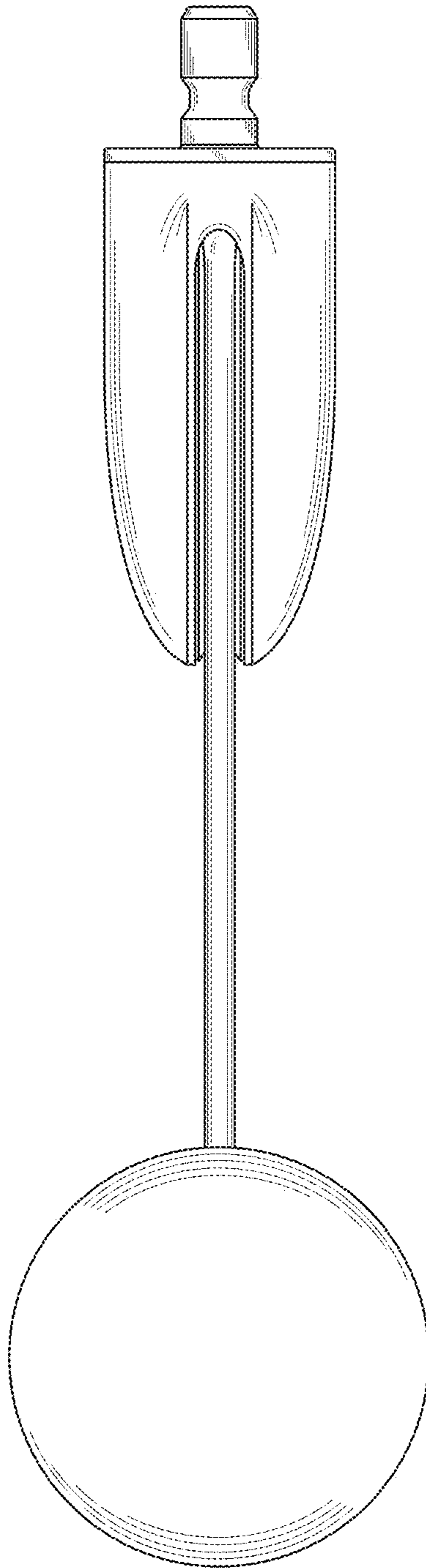


FIG. 4

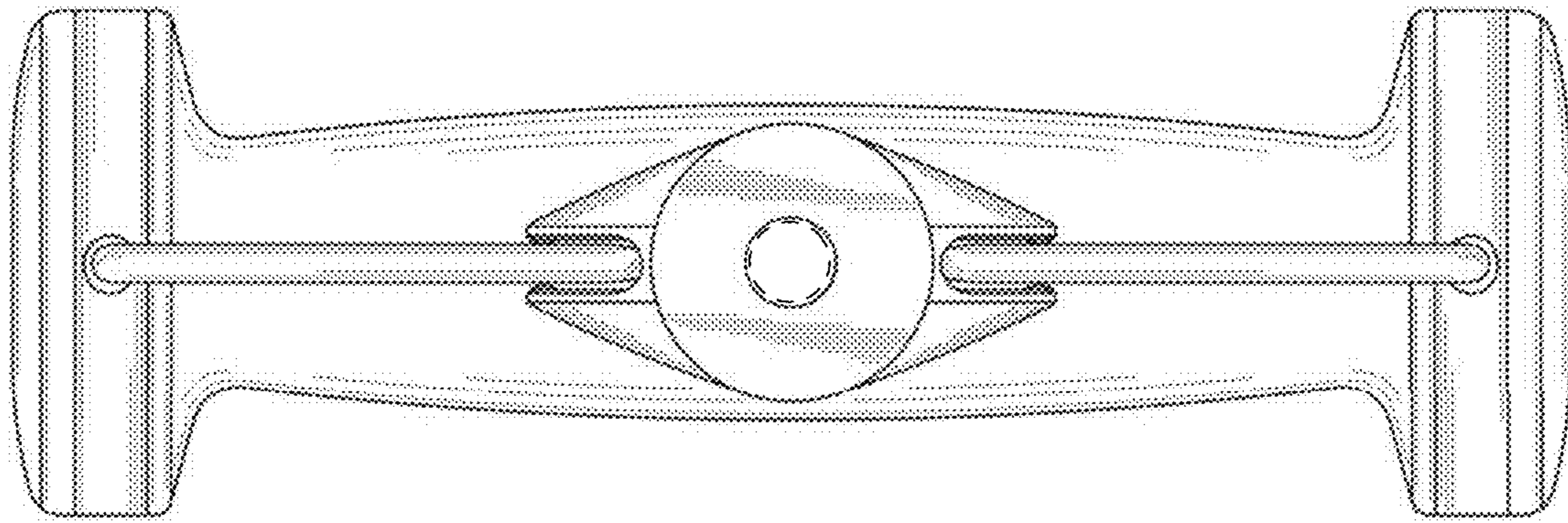


Fig. 5

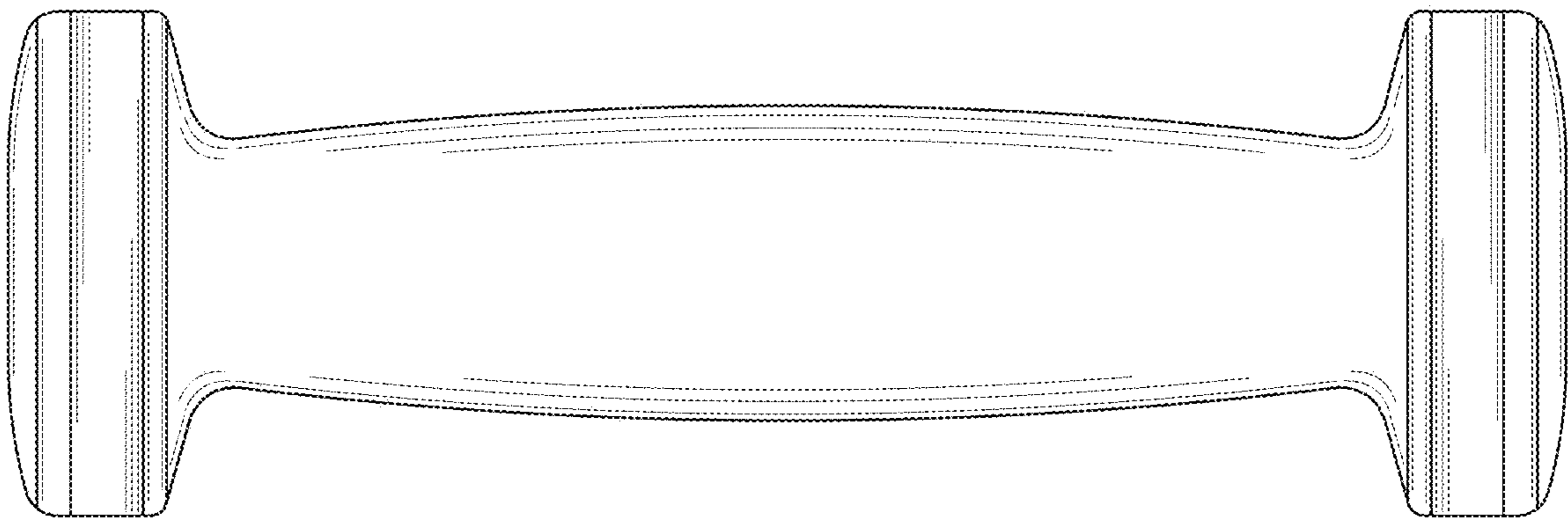


FIG. 6