



US00D952078S

(12) **United States Design Patent** (10) **Patent No.:** **US D952,078 S**
Speas (45) **Date of Patent:** **** May 17, 2022**

(54) **PORTABLE EXERCISE DEVICE**
(71) Applicant: **Noble Speas**, Germanton, NC (US)
(72) Inventor: **Noble Speas**, Germanton, NC (US)
(**) Term: **15 Years**
(21) Appl. No.: **29/763,132**
(22) Filed: **Dec. 21, 2020**

D704,858 S * 5/2014 Green D25/62
D711,985 S * 8/2014 Will D21/687
D726,263 S * 4/2015 Anderson D21/676
D734,409 S * 7/2015 Campanaro D21/686
D741,420 S * 10/2015 Campanaro D21/674
D741,960 S * 10/2015 Campanaro D21/676
D768,792 S * 10/2016 Goldberg D21/690
D768,793 S * 10/2016 Goldberg D21/690
D768,950 S * 10/2016 McKeon E04G 21/166
D34/28
9,630,040 B1 * 4/2017 Louis A63B 23/0405
D786,367 S * 5/2017 Eder D21/662

(Continued)

Related U.S. Application Data

(62) Division of application No. 29/680,369, filed on Feb. 15, 2019, now Pat. No. Des. 910,127.
(51) **LOC (13) Cl.** **21-02**
(52) **U.S. Cl.**
USPC **D21/690**; D34/32
(58) **Field of Classification Search**
USPC D21/662, 686, 690, 691, 694, 698;
D24/215; D34/28, 29, 32
CPC ... A63B 1/00; A63B 22/0046; A63B 21/4033;
B60P 1/43; B66F 7/243
See application file for complete search history.

Primary Examiner — Michael A Maharajh

(74) *Attorney, Agent, or Firm* — Matthew L. Jamison, Esq.

(57) **CLAIM**

The ornamental design for a portable exercise device, as shown and described.

DESCRIPTION

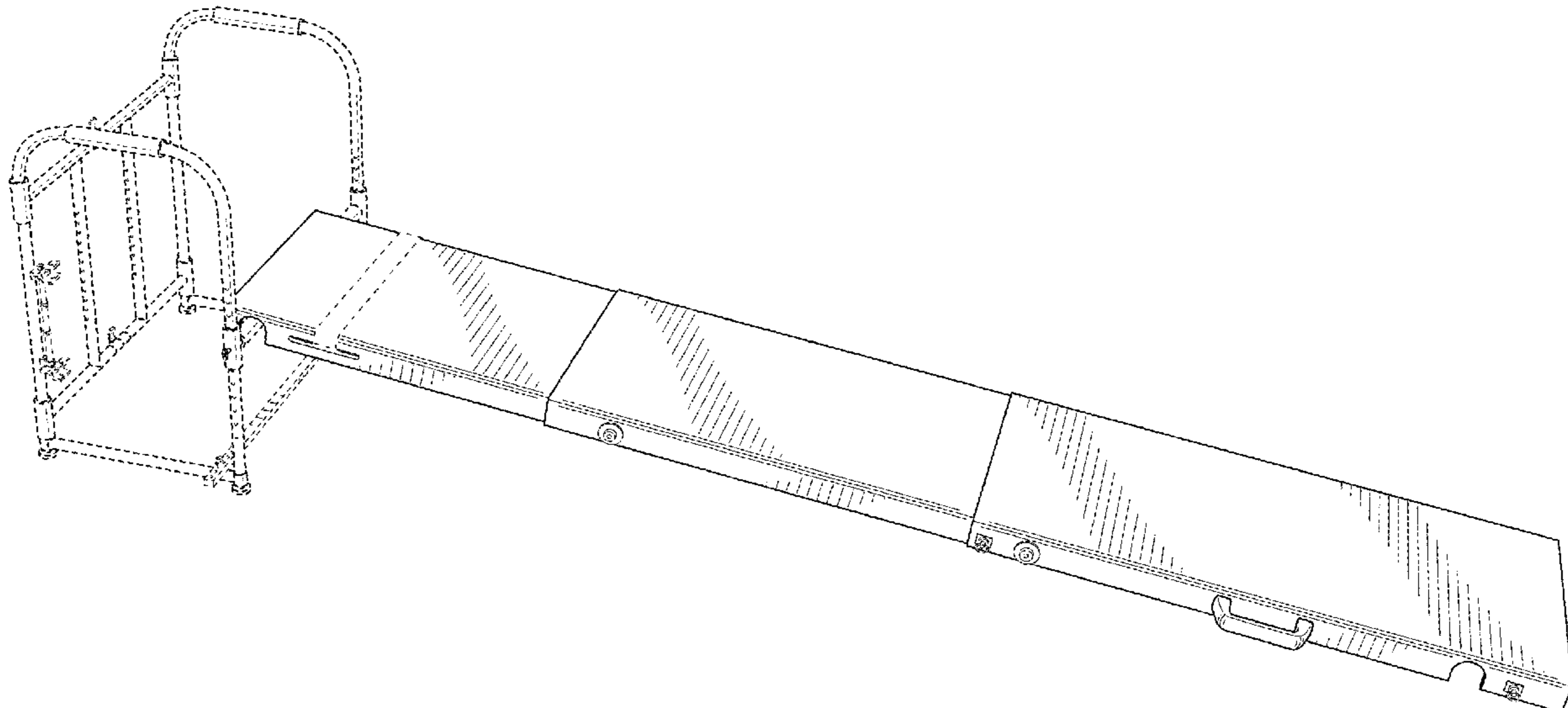
FIG. 1. is a top-right perspective view of a portable exercise device, showing my new design in a condition for use;
FIG. 2. is a rear elevation view shown in a condition of use thereof;
FIG. 3. is a right side elevation view shown in a condition of use thereof;
FIG. 4. is a top plan view thereof;
FIG. 5. is a bottom plan view thereof;
FIG. 6. is a right side elevation view thereof;
FIG. 7. is a left side elevation view thereof;
FIG. 8. is a bottom right perspective view shown in a partially folded configuration thereof; and,
FIG. 9. is a top right perspective view shown in a folded configuration thereof.
The broken lines in the drawings are for the purpose of illustrating environmental structure, which form no part of the claimed design.

(56) **References Cited**

U.S. PATENT DOCUMENTS

5,501,647 A * 3/1996 Snyder A63B 1/00
482/17
D495,379 S * 8/2004 Dubus D21/686
D520,577 S * 5/2006 Nelson D21/686
D522,143 S * 5/2006 Cartwright D24/183
7,104,937 B2 * 9/2006 Arbuckle A63B 22/0087
482/142
D550,361 S * 9/2007 Cartwright D24/183
D608,401 S * 1/2010 Campanaro D21/687
D610,638 S * 2/2010 Friess A63B 21/4043
D21/686
D634,375 S * 3/2011 Usrey D21/662
D694,347 S * 11/2013 Campanaro D21/676
D701,581 S * 3/2014 Heitzman D21/686

1 Claim, 9 Drawing Sheets



(56)

References Cited

U.S. PATENT DOCUMENTS

D812,158 S * 3/2018 Campanaro D21/690
D879,889 S * 3/2020 Mullen D21/686
10,653,912 B2 * 5/2020 Merrithew A63B 22/203
D910,127 S * 2/2021 Speas D21/691
D913,386 S * 3/2021 Channer D21/691
D914,812 S * 3/2021 Campanaro D21/674
D933,764 S * 10/2021 Modeste D21/690
2001/0056011 A1 * 12/2001 Endelman A63B 22/0087
482/121
2005/0059536 A1 * 3/2005 Croft A63B 1/00
482/123
2017/0340916 A1 * 11/2017 Gennusa A63B 23/0205

* cited by examiner

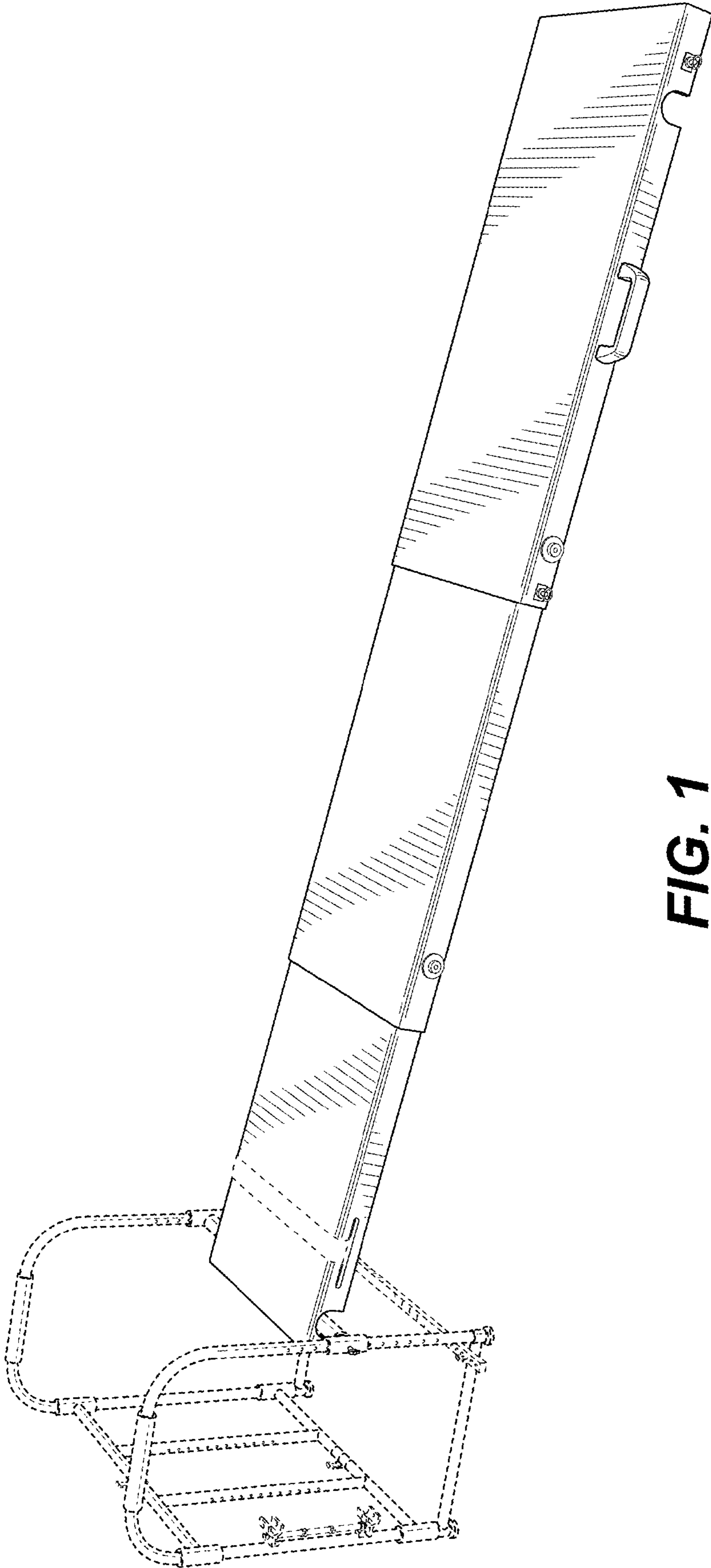


FIG. 1

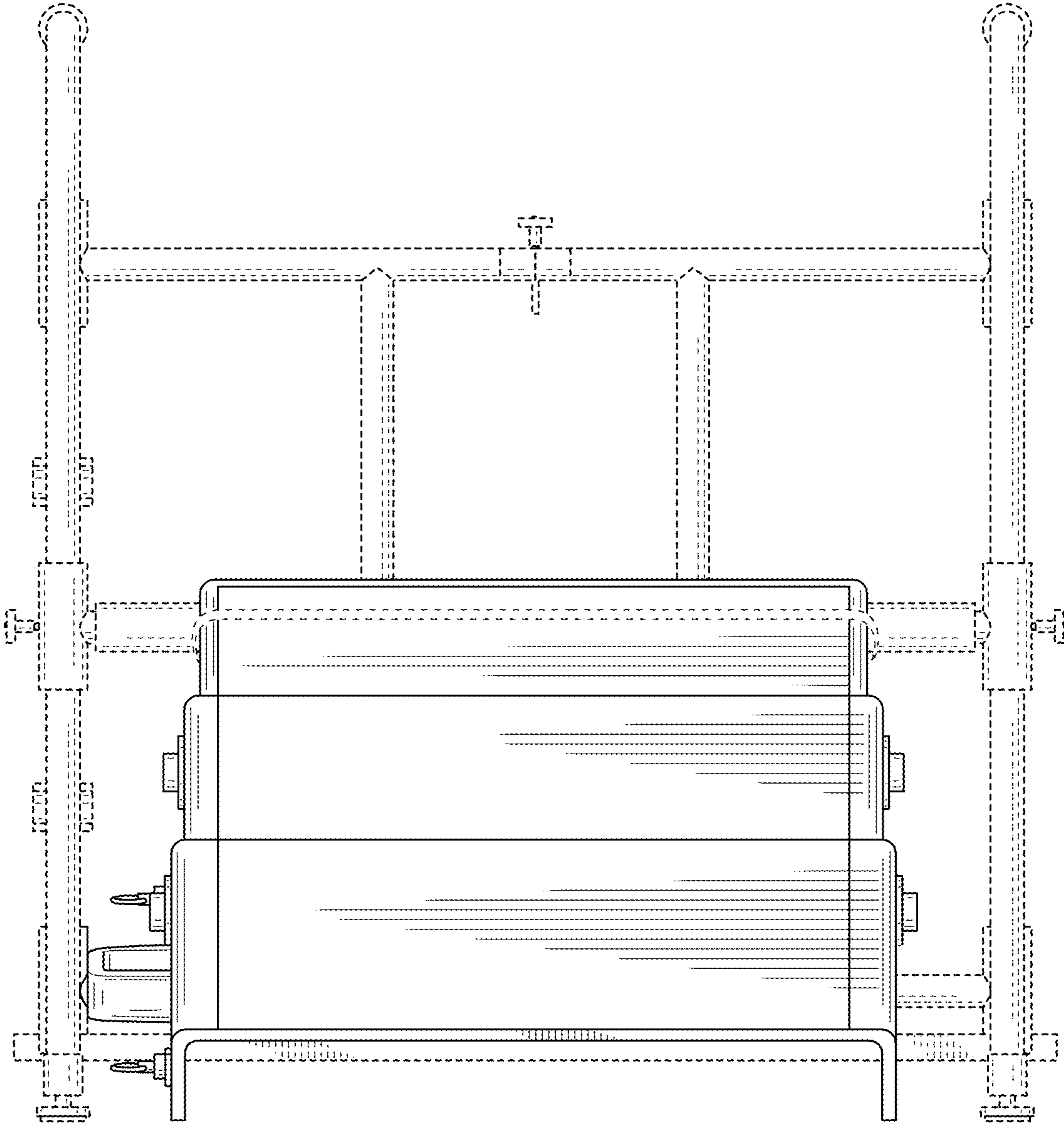


FIG. 2

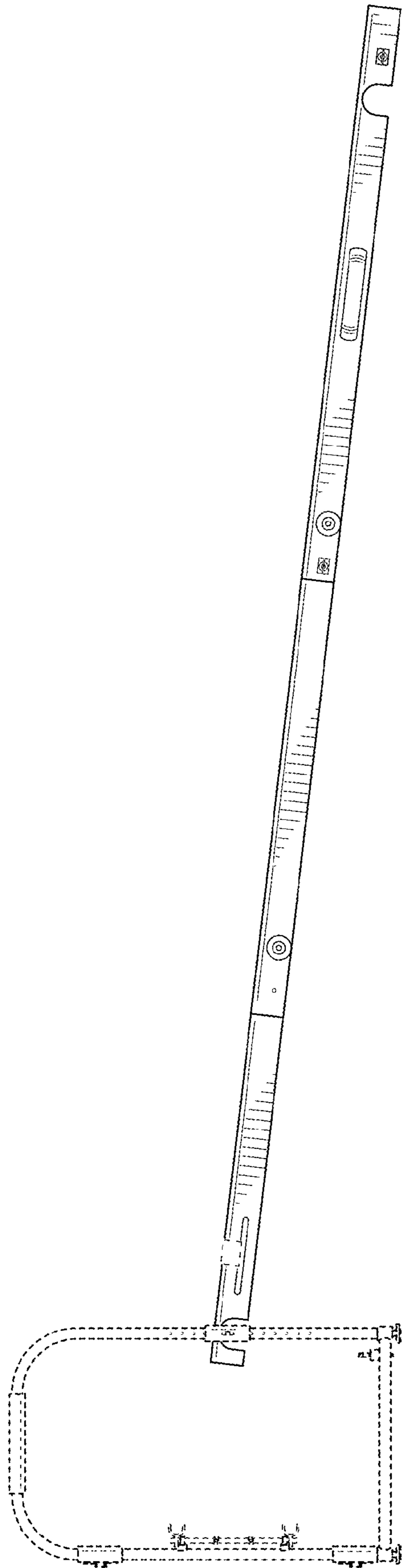


FIG. 3

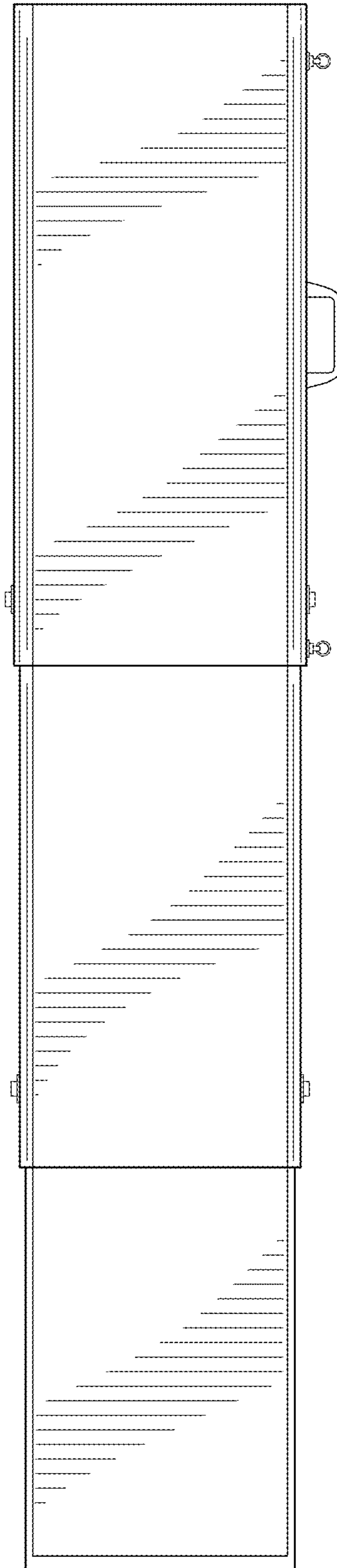


FIG. 4

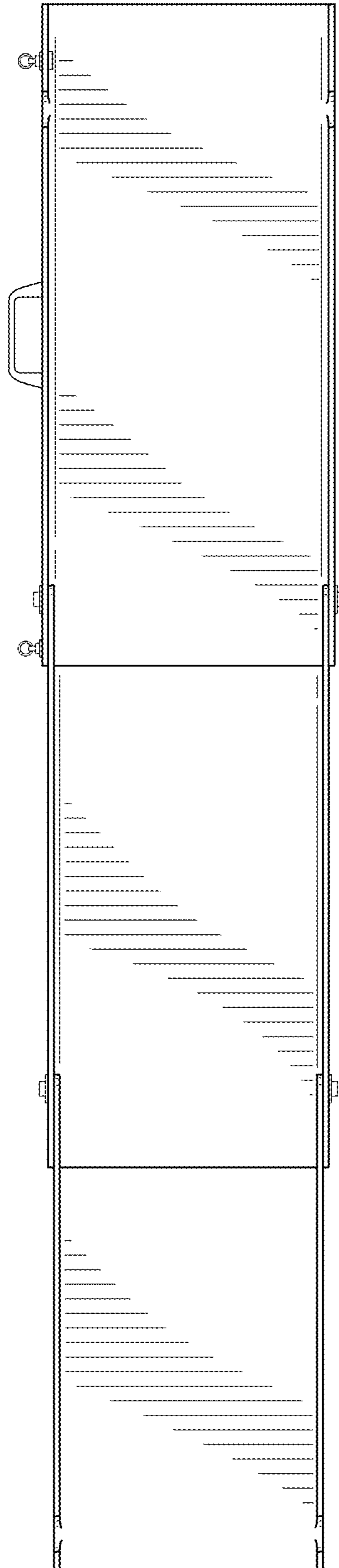


FIG. 5

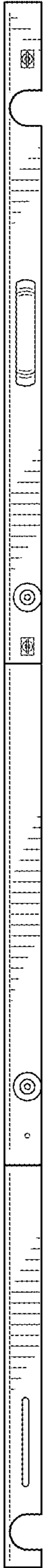


FIG. 6

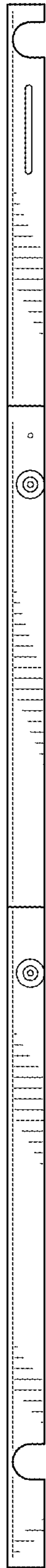


FIG. 7

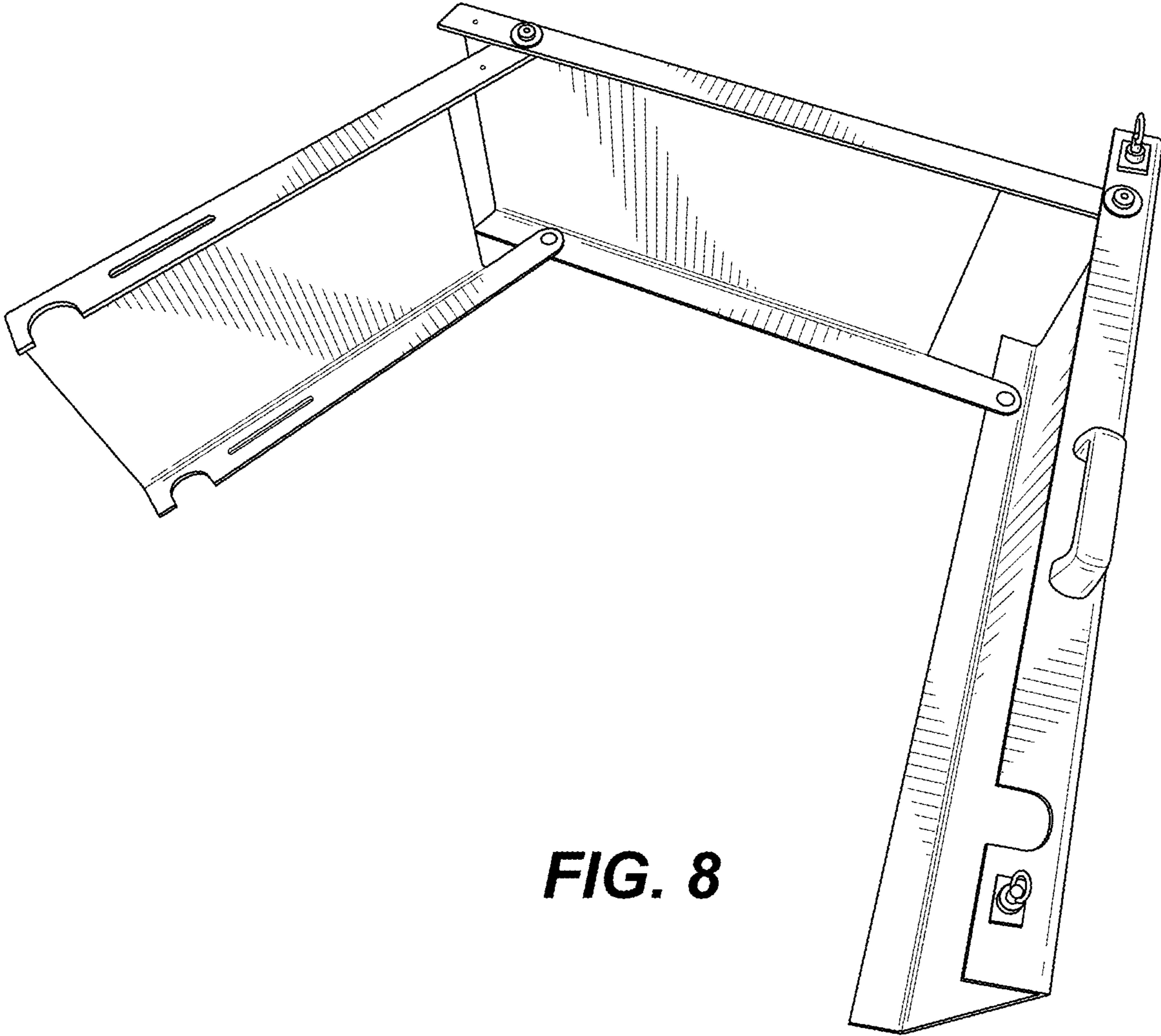


FIG. 8

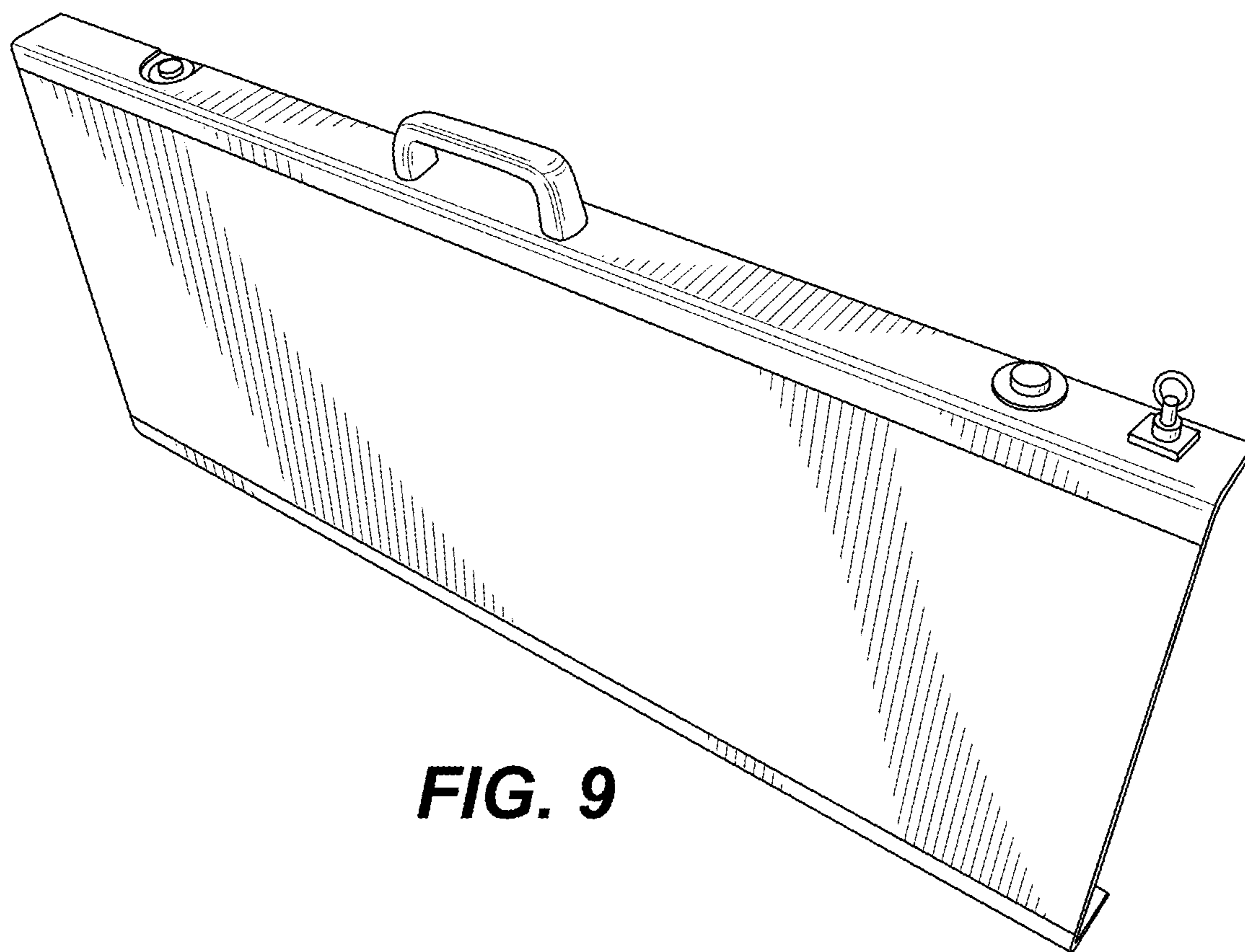


FIG. 9