



US00D952075S

(12) **United States Design Patent**
Horita et al.

(10) **Patent No.:** **US D952,075 S**
(45) **Date of Patent:** **** May 17, 2022**

(54) **LEG PRESS EXERCISE MACHINE**

D358,183 S 5/1995 Habing et al.
5,417,633 A 5/1995 Habing
D359,325 S 6/1995 Gerschefske et al.
(Continued)

(71) Applicant: **PELTON INTERACTIVE, INC.**,
New York, NY (US)

(72) Inventors: **Sean K. Horita**, Woodinville, WA
(US); **Elijah E. Hooper**, Seattle, WA
(US)

(73) Assignee: **Peloton Interactive, Inc.**, New York,
NY (US)

(**) Term: **15 Years**

(21) Appl. No.: **29/720,941**

(22) Filed: **Jan. 16, 2020**

(51) **LOC (13) Cl.** **21-02**

(52) **U.S. Cl.**
USPC **D21/690**

(58) **Field of Classification Search**
USPC D21/690, 691, 694, 686, 662, 665, 676,
D21/679, 687, 692

See application file for complete search history.

(56) **References Cited**

U.S. PATENT DOCUMENTS

4,790,530 A	12/1988	Maag	
4,822,038 A	4/1989	Maag	
4,838,548 A	6/1989	Maag	
4,840,373 A	6/1989	Maag	
D321,391 S	11/1991	Jones	
5,066,003 A	11/1991	Jones	
5,085,430 A	2/1992	Habing	
D324,710 S	3/1992	Habing	
5,102,122 A	4/1992	Piane, Jr. et al.	
5,190,513 A	3/1993	Habing et al.	
5,199,935 A	4/1993	Gibson et al.	
5,308,304 A	5/1994	Habing	
5,354,252 A	10/1994	Habing	
5,362,296 A	11/1994	Wang et al.	
5,366,432 A	11/1994	Habing et al.	
D357,041 S *	4/1995	McBride	D21/676

OTHER PUBLICATIONS

Lifefitness pro2, announced 2011 [online], [site visited Jul. 21, 2021]. Available on internet, URL:https://www.youtube.com/watch?v=30N6fKpuTNo (Year: 2011).*

(Continued)

Primary Examiner — Khawaja Anwar

Assistant Examiner — Julice Seung Eun Oum

(74) *Attorney, Agent, or Firm* — Haynes and Boone, LLP

(57) **CLAIM**

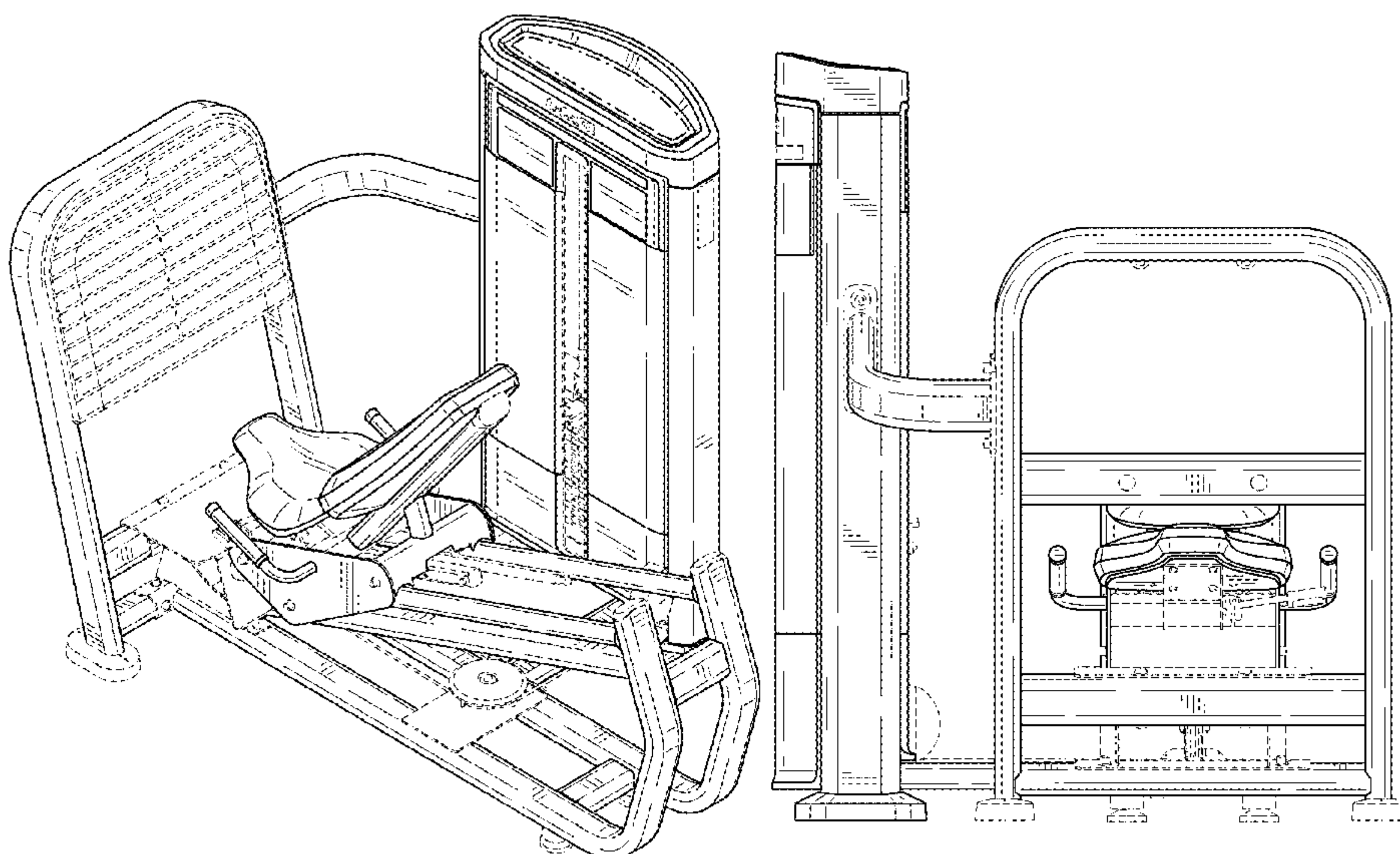
We claim the ornamental design for a leg press exercise machine, as shown and described.

DESCRIPTION

FIG. 1 is a front, side perspective view of a leg press exercise machine of a fitness equipment unit;
FIG. 2 is a front view of the leg press exercise machine of FIG. 1;
FIG. 3 is a rear view of the leg press exercise machine of FIG. 1;
FIG. 4 is a first side view of the leg press exercise machine of FIG. 1;
FIG. 5 is a second side view of the leg press exercise machine of FIG. 1;
FIG. 6 is a top view of the leg press exercise machine of FIG. 1; and,
FIG. 7 is a bottom view of the leg press exercise machine of FIG. 1.

The broken lines and the dot dash lines shown throughout the figure views form no part of the claimed design.

1 Claim, 7 Drawing Sheets



(56)

References Cited

U.S. PATENT DOCUMENTS

5,468,202 A 11/1995 Habing
 5,492,520 A 2/1996 Brown
 D370,040 S 5/1996 Habing et al.
 5,527,248 A 6/1996 Crivello
 5,554,086 A 11/1996 Habing et al.
 5,577,987 A 11/1996 Brown
 5,580,337 A 12/1996 Habing et al.
 5,580,341 A 12/1996 Simonson
 5,597,257 A 1/1997 Habing
 5,749,813 A 5/1998 Domzalski
 5,803,882 A 9/1998 Habing et al.
 D406,290 S 3/1999 McBride
 5,885,193 A 3/1999 Habing et al.
 D408,875 S 4/1999 Anderson
 5,897,467 A 4/1999 Habing et al.
 5,897,473 A 4/1999 Koenig
 5,931,767 A 8/1999 Morales
 5,967,954 A 10/1999 Habing
 5,971,895 A 10/1999 Habing
 6,080,091 A 6/2000 Habing et al.
 D428,949 S 8/2000 Simonson
 D431,615 S * 10/2000 Webber D21/675
 6,152,864 A 11/2000 Giannelli et al.
 D439,939 S 4/2001 Batca et al.
 D439,940 S * 4/2001 Batca D21/675
 D440,610 S 4/2001 Webber et al.
 D440,611 S 4/2001 Batca et al.
 6,220,996 B1 4/2001 McArthur
 6,319,178 B1 11/2001 Webber
 6,488,612 B2 12/2002 Sechrest et al.
 6,558,303 B1 * 5/2003 Ellis A63B 23/0494
 482/100
 6,579,213 B1 6/2003 Webber et al.
 D477,372 S 7/2003 Garner
 D481,428 S * 10/2003 Giannelli D21/675
 D490,128 S * 5/2004 Giannelli D21/675
 6,736,765 B2 5/2004 Wallace et al.
 D490,865 S 6/2004 Giannelli
 D491,237 S 6/2004 Giannelli et al.
 D491,238 S 6/2004 Giannelli et al.
 D497,190 S 10/2004 Giannelli et al.
 6,921,356 B1 7/2005 Habing et al.
 D511,190 S 11/2005 Panatta
 D512,113 S 11/2005 Carter
 D513,287 S 12/2005 Panatta
 D513,288 S 12/2005 Panatta
 D513,291 S * 12/2005 Panatta D21/676
 D513,293 S 12/2005 Panatta
 D513,631 S 1/2006 Panatta
 D516,138 S 2/2006 Panatta
 D516,140 S 2/2006 Panatta
 D516,142 S * 2/2006 Panatta D21/676
 D516,143 S 2/2006 Panatta
 D516,144 S 2/2006 Panatta
 7,011,609 B1 3/2006 Kuo
 D523,496 S 6/2006 Grider
 7,090,623 B2 8/2006 Stewart et al.
 7,223,213 B2 5/2007 Golesh
 7,591,770 B2 9/2009 Stewart et al.
 7,608,024 B2 10/2009 Sechrest et al.
 7,654,940 B2 2/2010 Webber et al.
 7,708,672 B2 5/2010 Gibson et al.
 7,771,323 B1 8/2010 Batca
 7,794,371 B2 9/2010 Webber et al.
 7,815,554 B2 10/2010 Gibson et al.
 7,871,357 B2 1/2011 Gibson et al.
 7,981,010 B1 7/2011 Webber et al.
 D643,483 S 8/2011 Horita et al.
 8,057,368 B1 11/2011 Lyszczarz
 8,177,693 B2 5/2012 Webber et al.
 8,262,543 B1 * 9/2012 Batca A63B 21/4045
 482/100
 8,529,413 B2 9/2013 Simmons

8,672,814 B2 3/2014 Hopkins
 RE44,992 E 7/2014 Fenster
 D728,709 S 5/2015 Ho et al.
 D743,494 S 11/2015 Ho et al.
 9,186,537 B2 11/2015 Arnold et al.
 9,320,937 B2 4/2016 Thompson
 9,604,090 B1 3/2017 Meyer et al.
 10,188,890 B2 1/2019 Olson et al.
 10,226,665 B2 3/2019 Korkecki
 10,343,008 B2 7/2019 Pullins et al.
 10,420,977 B1 9/2019 Sullivan
 D905,179 S 12/2020 Kennington
 D912,168 S 3/2021 Orady et al.
 2002/0058571 A1 5/2002 Webber et al.
 2004/0029688 A1 2/2004 Webber et al.
 2006/0264304 A1 11/2006 Habing
 2007/0213184 A1 9/2007 Habing et al.
 2009/0258761 A1 10/2009 Quinn
 2010/0125030 A1 5/2010 Shifferaw
 2010/0132213 A1 6/2010 Ulrich et al.
 2010/0140182 A1 6/2010 Chapman et al.
 2012/0208679 A1 8/2012 Webb
 2012/0322629 A1 12/2012 Webb
 2013/0079708 A1 3/2013 Wimpenny et al.
 2013/0111739 A1 5/2013 Wu et al.
 2014/0336018 A1 * 11/2014 Thompson A63B 21/0052
 482/102
 2015/0306442 A1 10/2015 Höglund
 2016/0082315 A1 * 3/2016 Carter A63B 21/0628
 482/94
 2016/0134144 A1 5/2016 Miller et al.
 2016/0329672 A1 11/2016 McGinley et al.
 2017/0232292 A1 * 8/2017 Giannelli A63B 21/063
 482/98
 2017/0340916 A1 11/2017 Gennusa
 2018/0034224 A1 2/2018 Chung et al.
 2018/0326242 A1 * 11/2018 Jaquish A63B 21/00069
 2019/0097365 A1 3/2019 Lee et al.
 2019/0160324 A1 5/2019 Leopoldo Da Camara Filho
 2019/0305479 A1 10/2019 Lan
 2019/0308069 A1 10/2019 Sandhu
 2020/0140182 A1 5/2020 Adjeleian
 2020/0188725 A1 * 6/2020 Carter A63B 21/4047
 2021/0031091 A1 * 2/2021 Glidden A63B 23/03525
 2021/0104719 A1 4/2021 Oikawa
 2021/0128963 A1 * 5/2021 Anderson A63B 21/4034
 2021/0178212 A1 6/2021 Polinsky

OTHER PUBLICATIONS

Goodlife, announced 2016 [online], [site visited Jul. 21, 2021]. Available on internet, URL:https://www.youtube.com/watch?v=8EMbB0tCn7Q (Year: 2016).*

Livestrong, announced 2009 [online], [site visited Jul. 21, 2021]. Available on internet, URL:https://www.youtube.com/watch?v=n8TOta_pfr4 (Year: 2009).

True fitness, announced 2016 [online], [site visited Jul. 21, 2021]. Available on internet, URL:https://www.youtube.com/watch?v=Q_b8Bz1Yhs (Year: 2016).

TDS extension, announced 2019 [online], [site visited Jul. 21, 2021]. Available on internet, URL:https://www.amazon.com/TDS-Extension-Peddling-Extensions-Exercises/dp/B07JHB8CXF/ref=sr_1_122?dchild=1&keywords=leg+curl+excercise+machines&qid=1626900432&sr=8-122 (Year:2019).

Precor C-Line, announced 2015 [online], [site visited Jul. 21, 2021]. Available on internet, URL:https://www.youtube.com/watch?v=3LeWUejZ_Tk (Year: 2015).

Life fitness, announced 2011 [online], [site visited Jul. 21, 2021]. Available on internet, URL:https://www.youtube.com/watch?v=LyQUwiZOLrA (Year:2011).

* cited by examiner

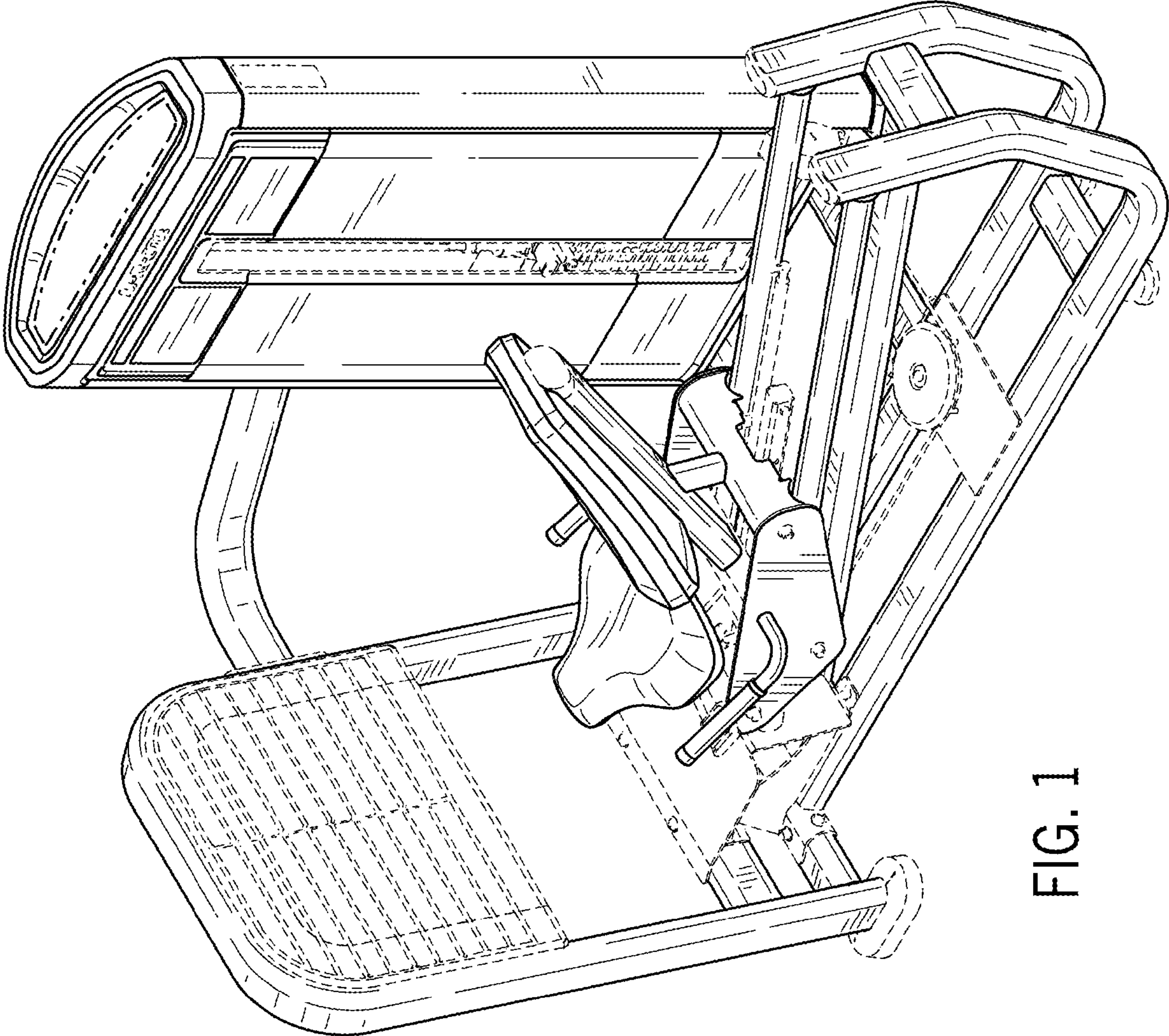


FIG. 1

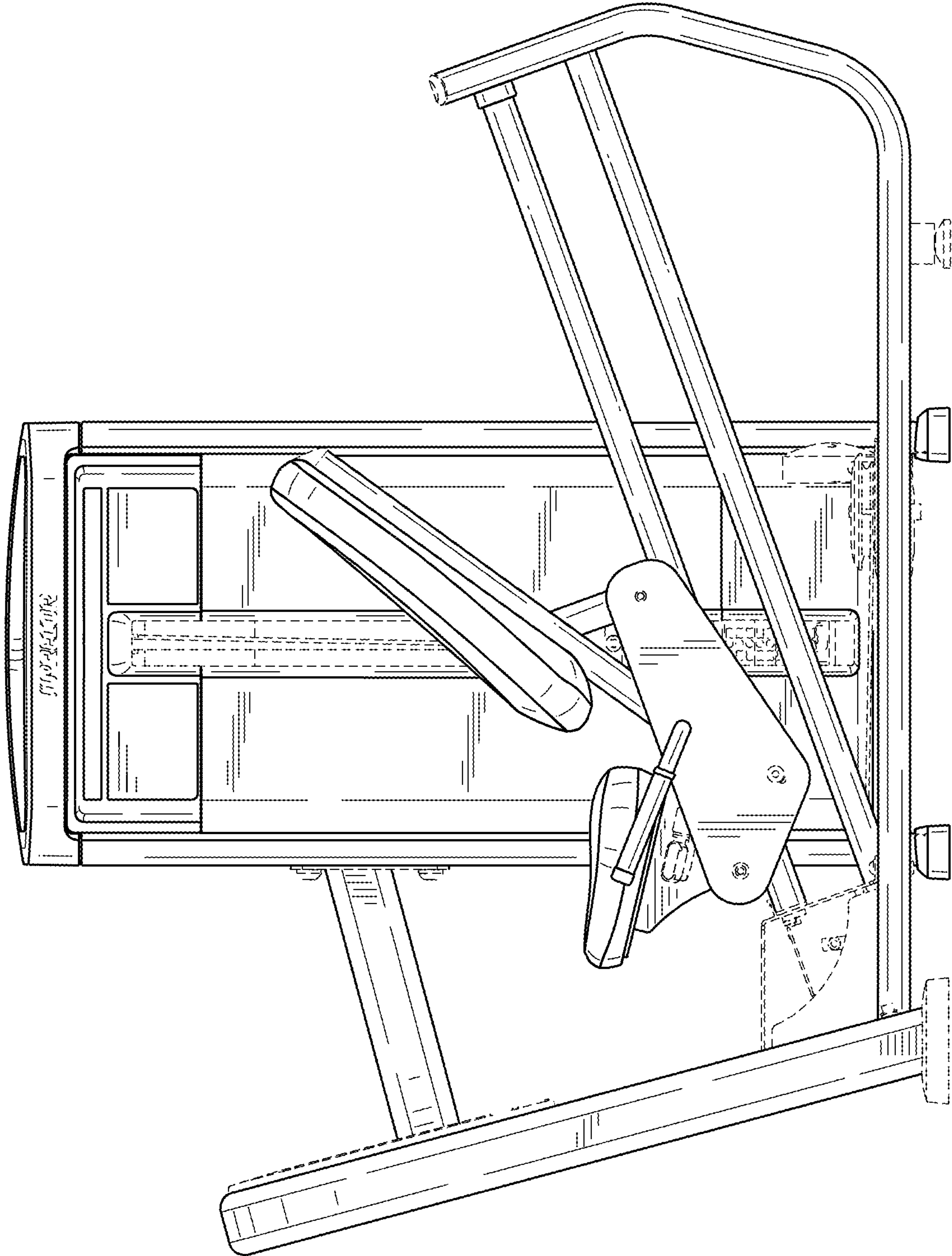


FIG. 2

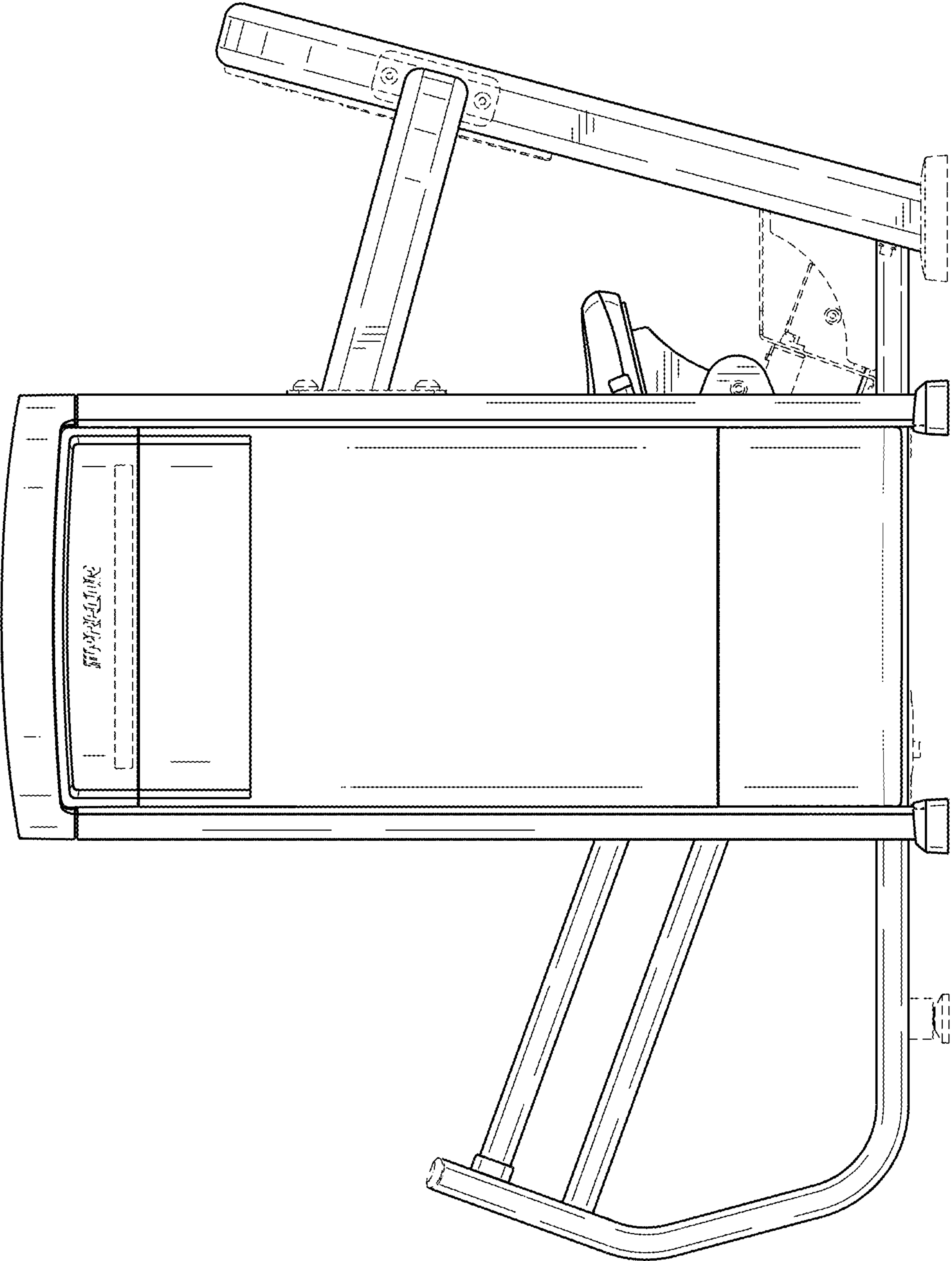


FIG. 3

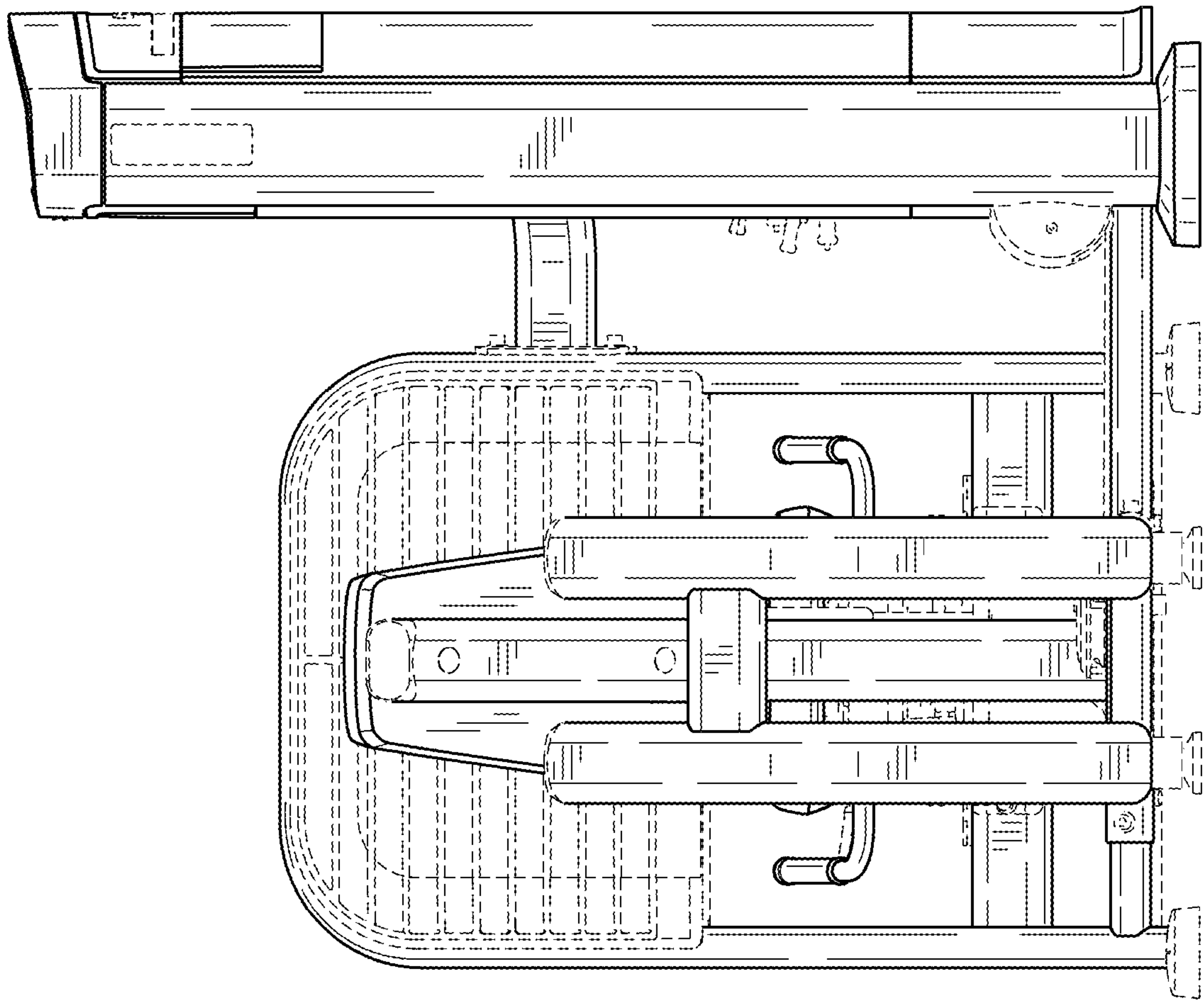


FIG. 4

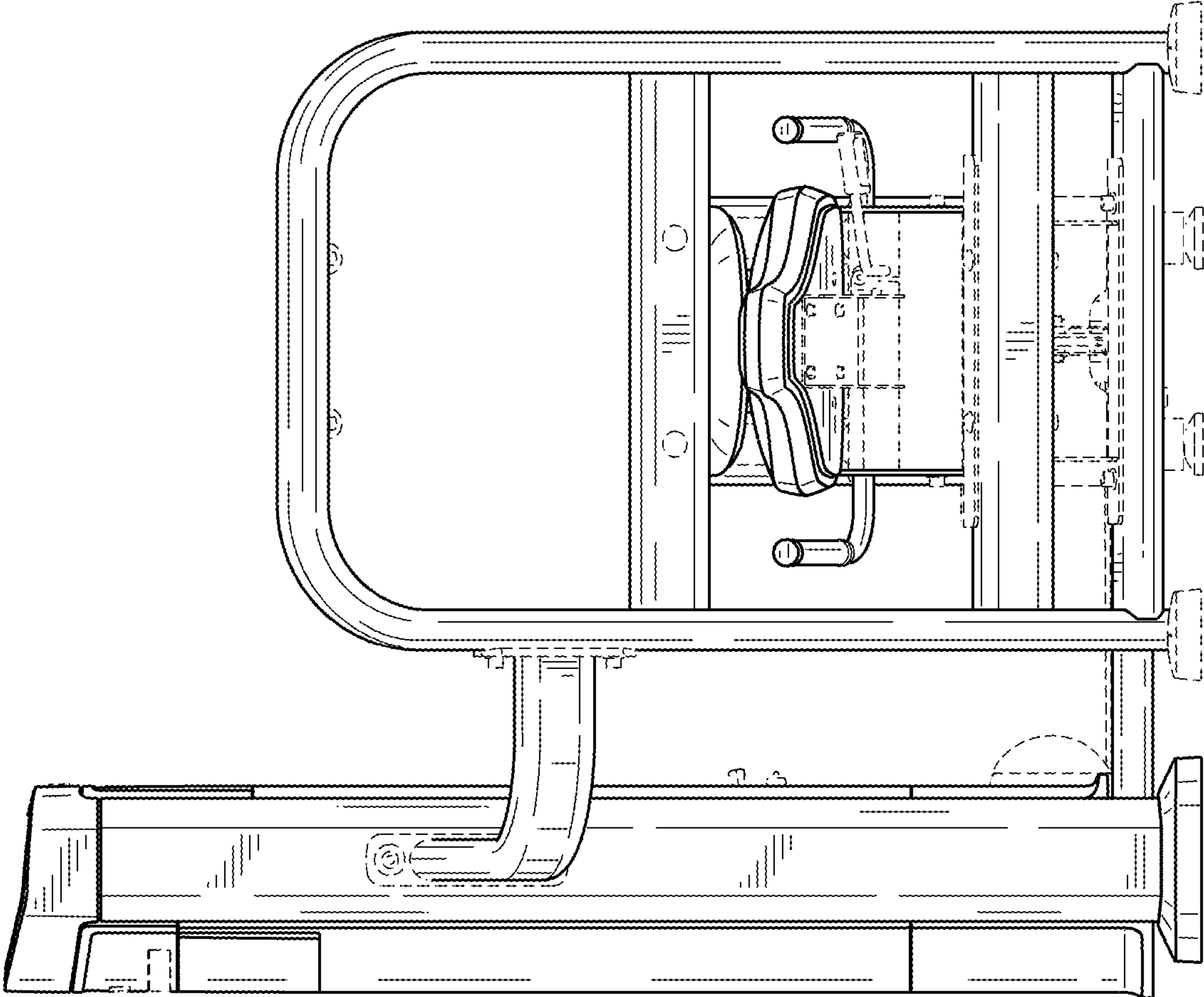


FIG. 5

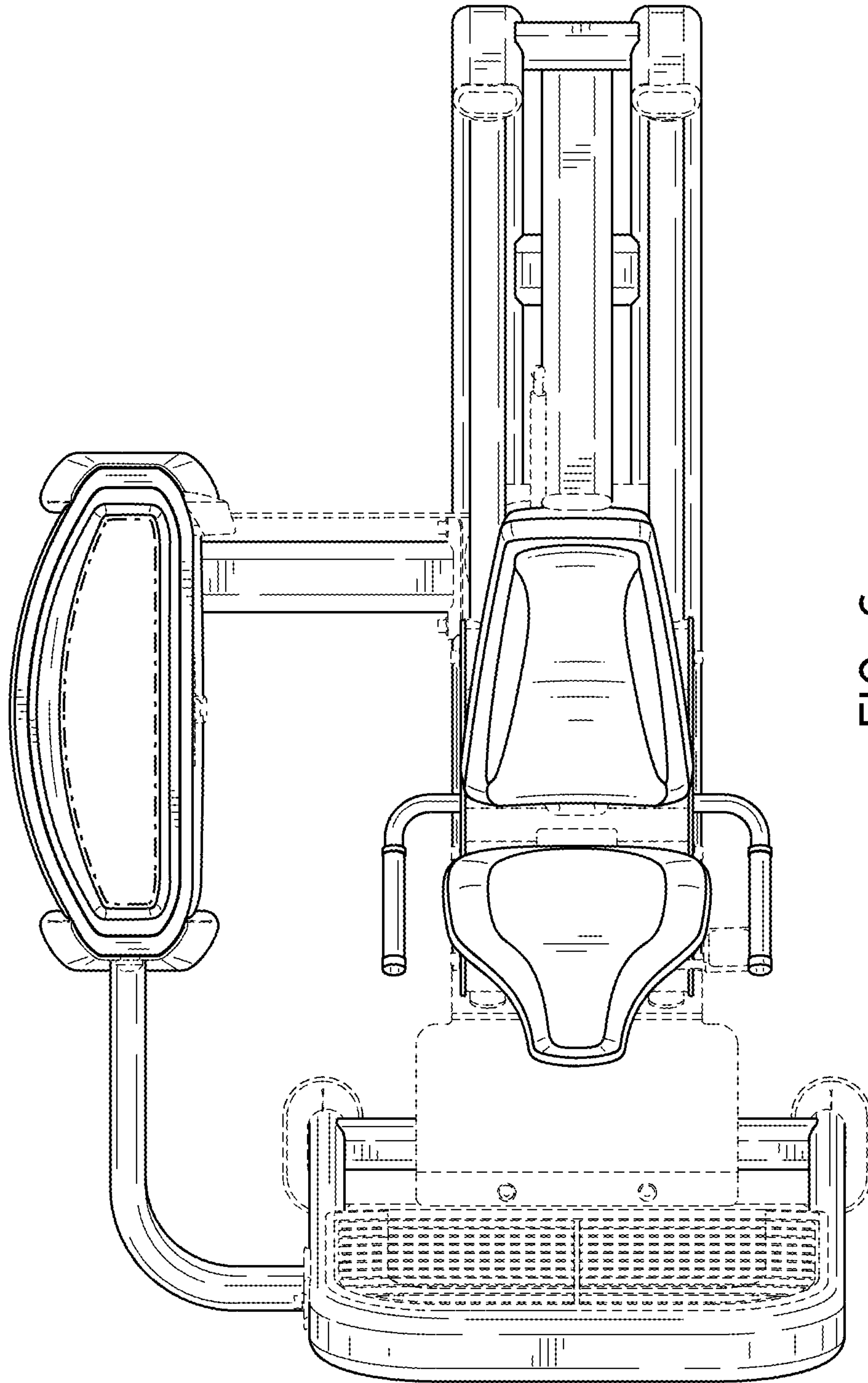


FIG. 6

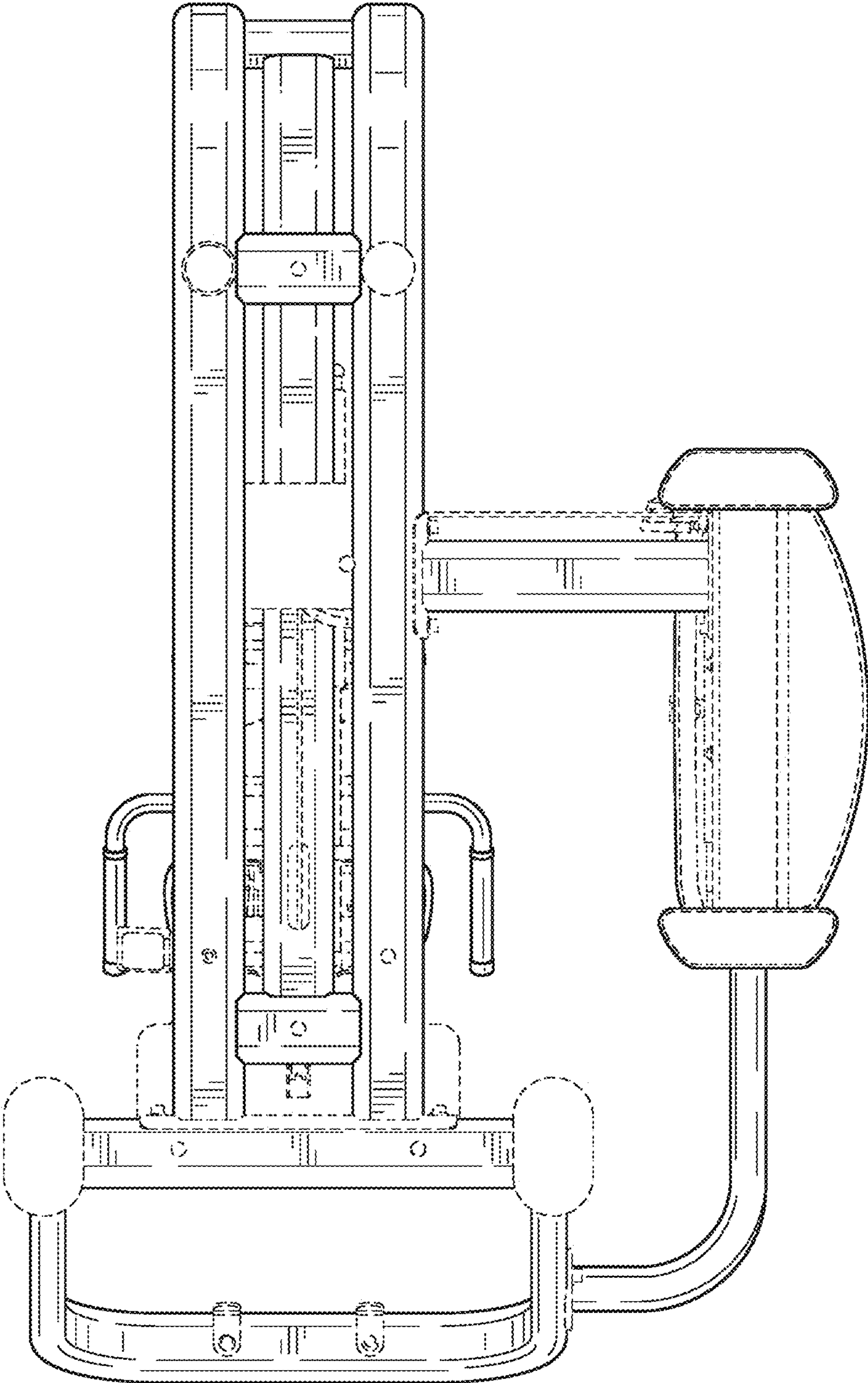


FIG. 7