



US00D952071S

(12) **United States Design Patent**
Li et al.

(10) **Patent No.:** **US D952,071 S**

(45) **Date of Patent:** **** May 17, 2022**

(54) **ABDOMINAL WHEEL**

(71) Applicant: **Chongqing Qing Er Technology Co. Ltd.**, Chongqing (CN)

(72) Inventors: **Zhipeng Li**, Baldwin Park, CA (US);
Jinliang Zhang, Baldwin Park, CA (US)

(**) Term: **15 Years**

(21) Appl. No.: **29/762,502**

(22) Filed: **Dec. 16, 2020**

(30) **Foreign Application Priority Data**

Nov. 20, 2020 (CN) 202030708261.5

(51) **LOC (13) Cl.** **21-02**

(52) **U.S. Cl.**
USPC **D21/686**

(58) **Field of Classification Search**
USPC D21/662, 694, 692, 679, 680, 684, 686;
D24/200, 211; D12/209
See application file for complete search history.

(56) **References Cited**

U.S. PATENT DOCUMENTS

- 1,861,226 A * 5/1932 O'Connor B61H 13/02
74/609
- D257,615 S * 12/1980 Horikoshi D12/205
- 5,209,461 A * 5/1993 Whightsil, Sr. A63B 21/0455
267/155
- D378,506 S * 3/1997 Stolz D12/209
- D406,090 S * 2/1999 Nishida D12/209
- D453,493 S * 2/2002 Kokubu D12/209
- D453,723 S * 2/2002 Kokubu D12/209
- D490,355 S * 5/2004 Francis D12/209
- D491,126 S * 6/2004 Rivers, Jr. D12/209
- D633,842 S * 3/2011 Scolari D12/209
- D700,668 S * 3/2014 Flick D12/209
- D852,107 S * 6/2019 Hodges D12/209

- D856,890 S * 8/2019 Zhao D12/209
- D864,831 S * 10/2019 Umehara D12/209
- D868,663 S * 12/2019 Sham D12/209
- D934,149 S * 10/2021 Peralta D12/209

OTHER PUBLICATIONS

Pactrade marine store, announced 2016[online], [site visited Feb. 3, 2022]. Available on internet, URL:https://www.amazon.com/Pactrade-Marine-Stainless-Steering-Comfort/dp/B00L5KEJWY/ref= (Year: 2016).*

Jimaiteam, announced 2020[online], [site visited Feb. 3, 2022]. Available on internet, URL:https://www.amazon.com/JIMAITEAM-Bicycle-Wheelset-Clincher-Shimano1/dp/B083SMFJ6B/ref (Year: 2020).*

Amazon basics store, announced 2018[online], [site visited Feb. 3, 2022]. Available on internet, URL:https://www.amazon.com/AmazonBasics-Abdominal-Exercise-Roller-Wheel/dp/B07BGCYWXX/ref (Year: 2018).*

* cited by examiner

Primary Examiner — Khawaja Anwar

Assistant Examiner — Julice Seung Eun Oum

(74) *Attorney, Agent, or Firm* — Tsz Lung Yeung

(57) **CLAIM**

The ornamental design for an abdominal wheel, as shown and described.

DESCRIPTION

FIG. 1 is a perspective view of an abdominal wheel, showing my new design;

FIG. 2 is a front view thereof;

FIG. 3 is a rear view thereof;

FIG. 4 is a right side view thereof;

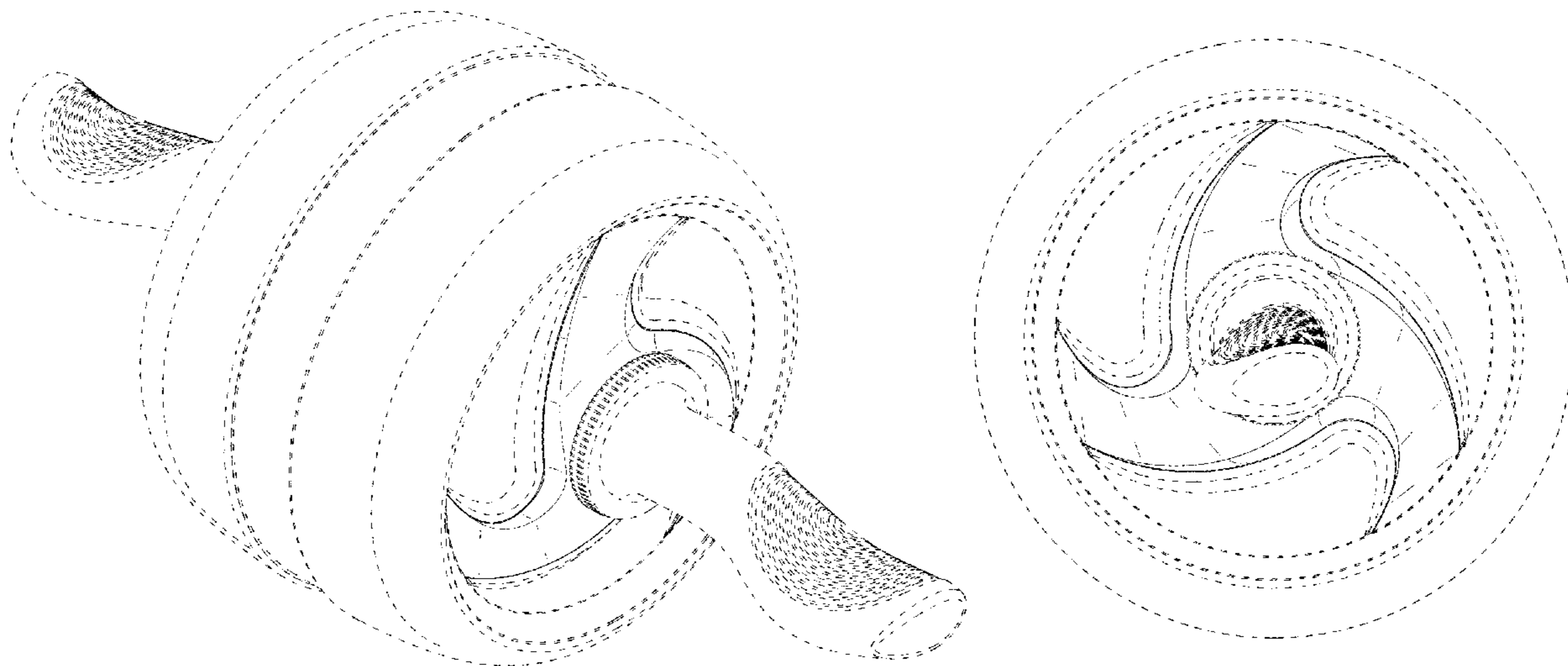
FIG. 5 is a left side view thereof;

FIG. 6 is a top view thereof; and,

FIG. 7 is a bottom view thereof.

The broken lines depict portions of the abdominal wheel that form no part of the claimed design.

1 Claim, 7 Drawing Sheets



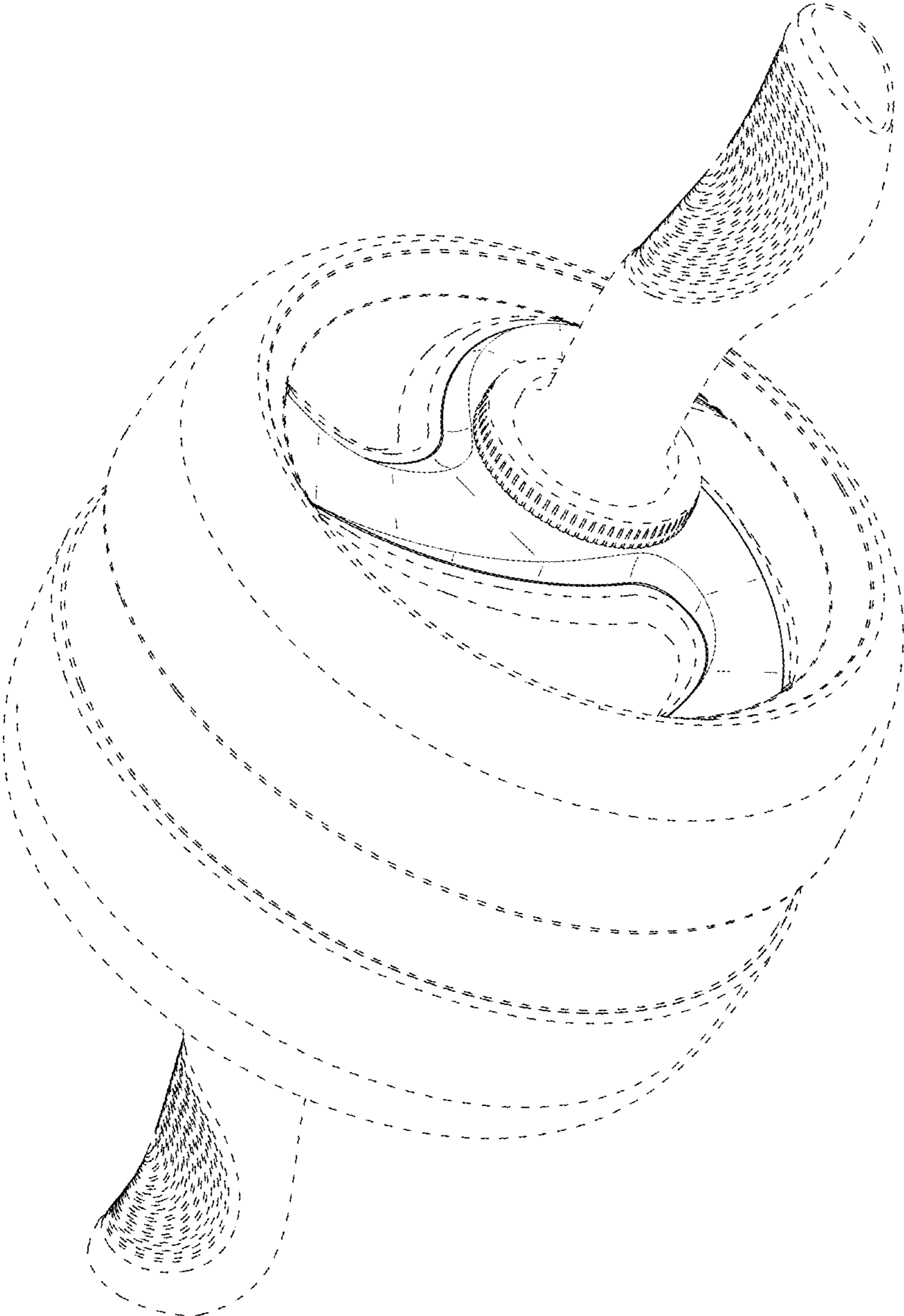


FIG. 1

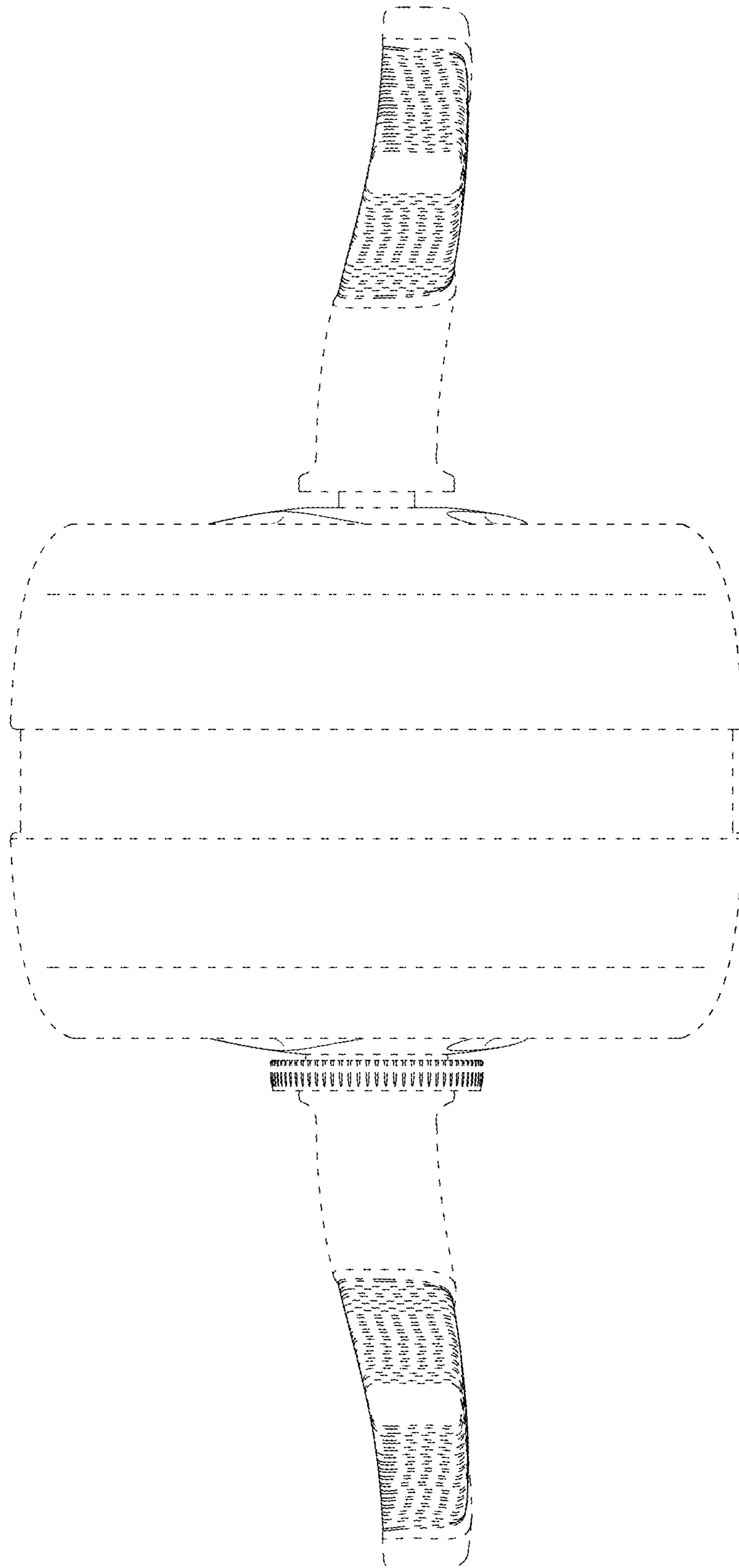


FIG. 2

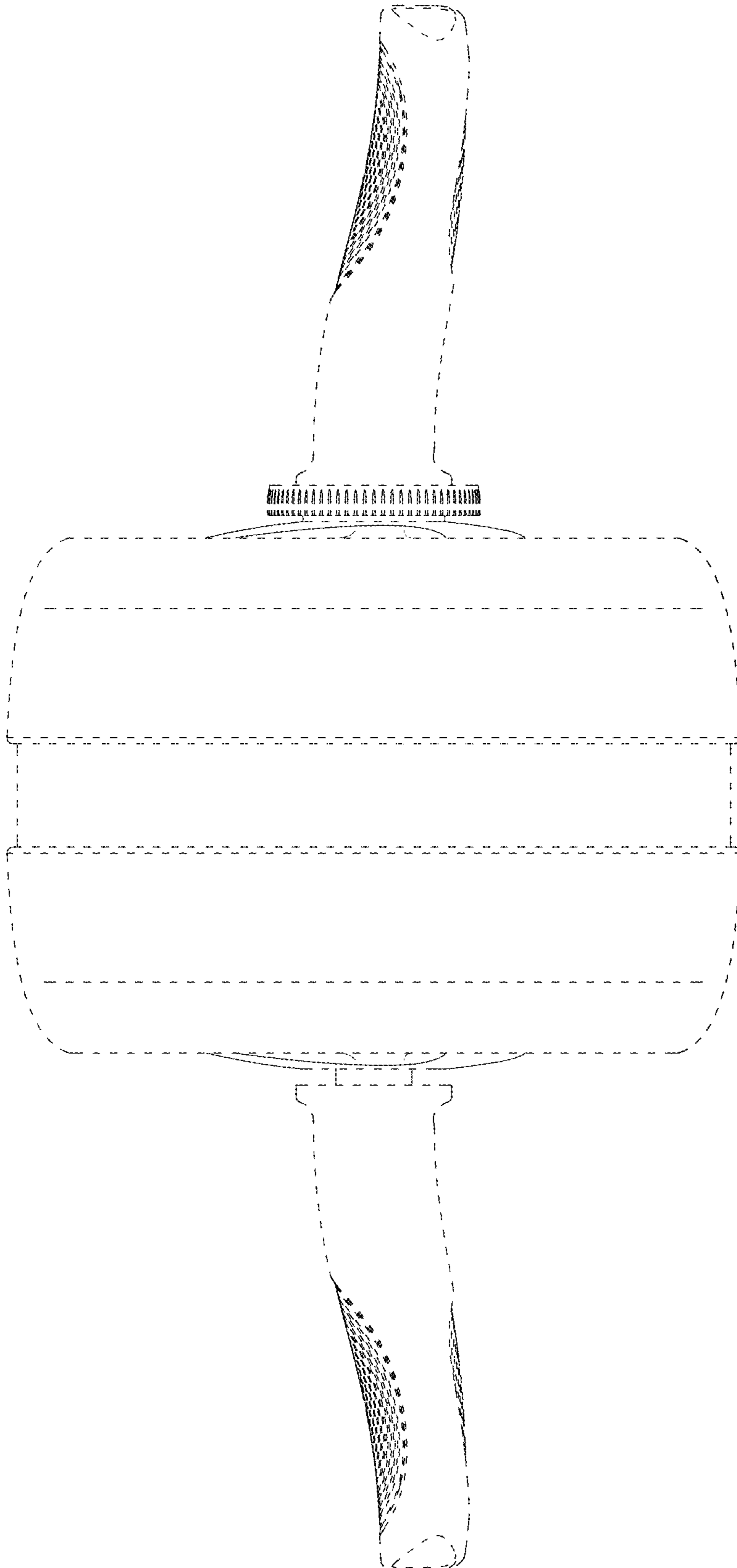


FIG. 3

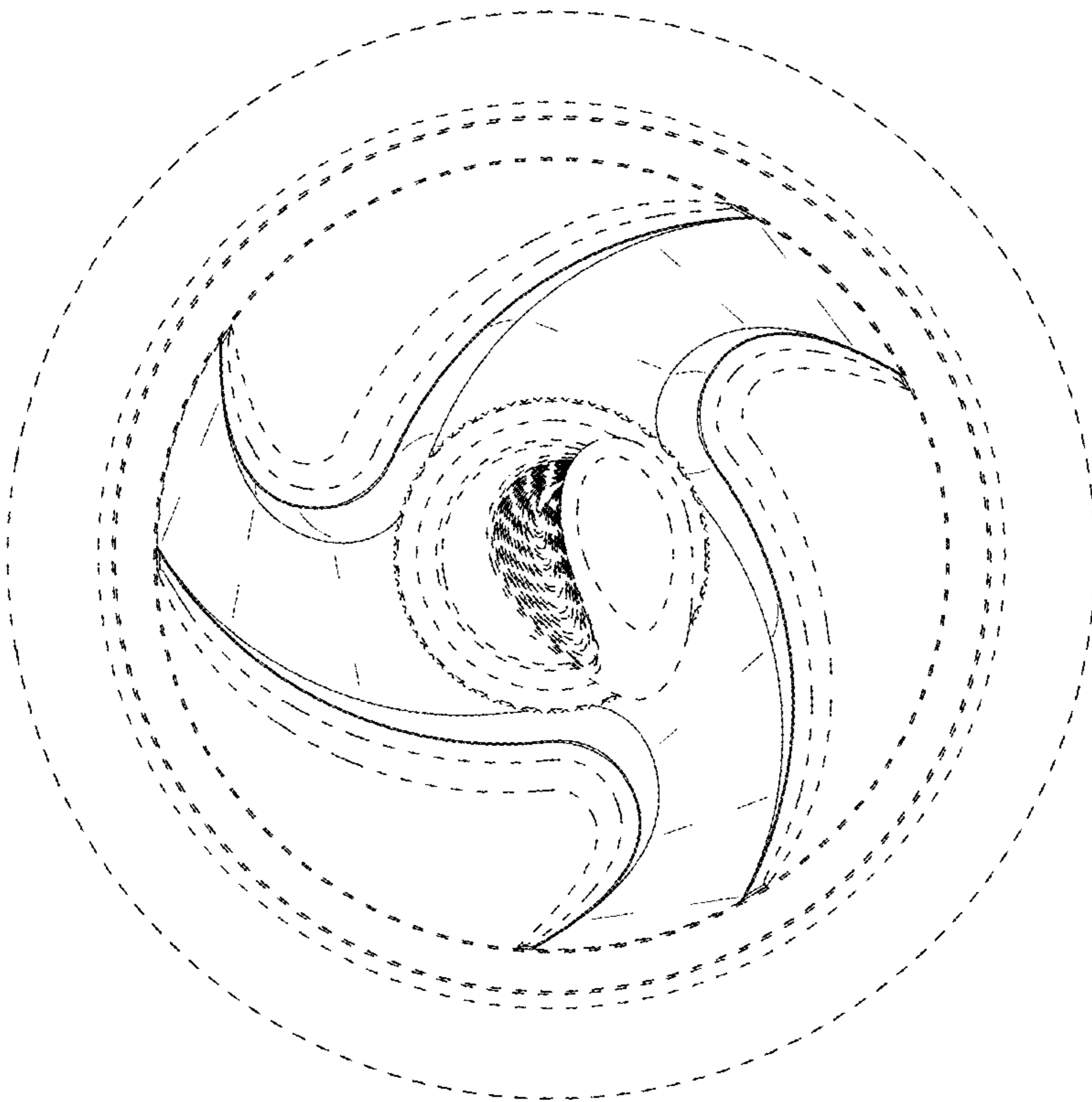


FIG. 4

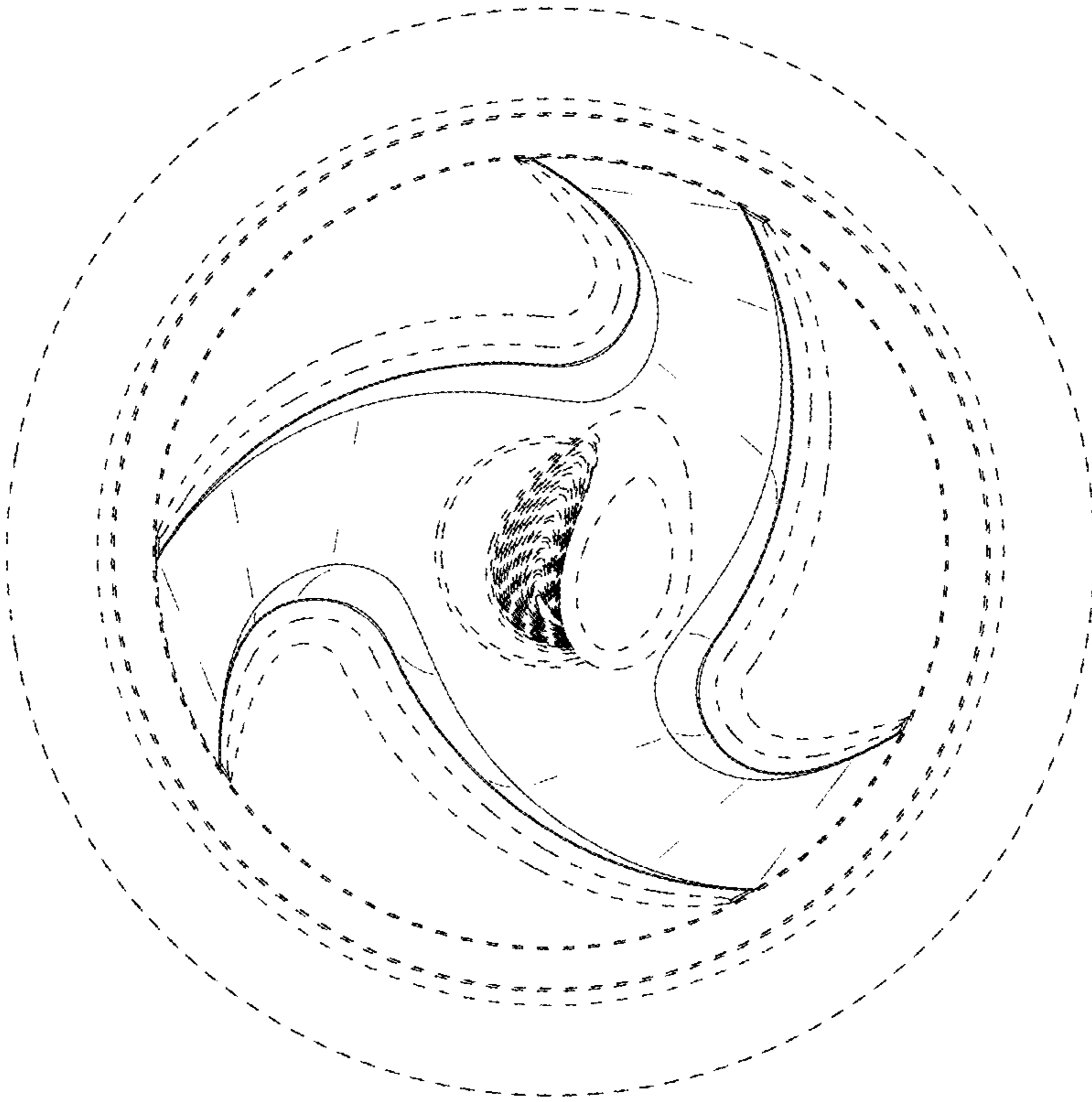


FIG. 5

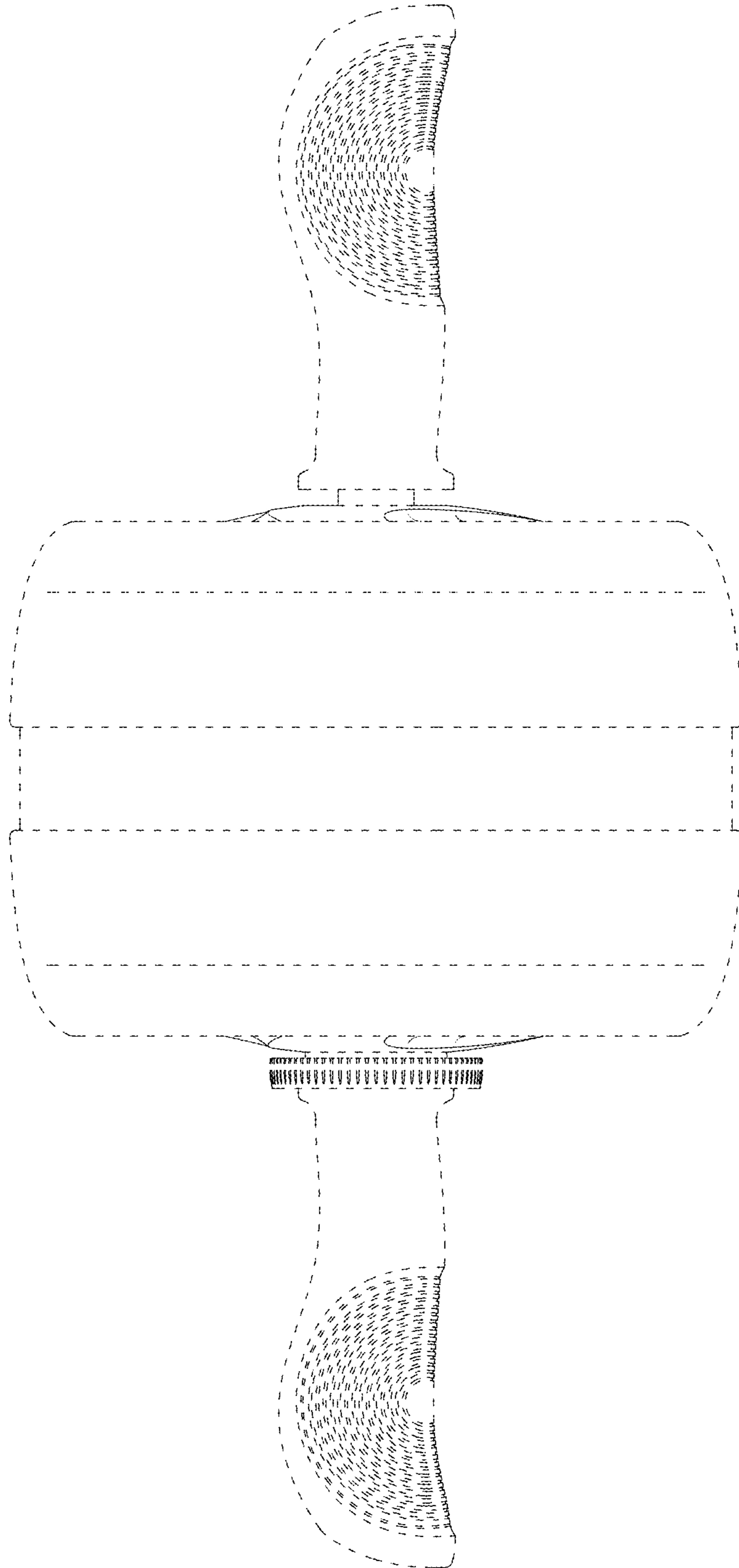


FIG. 6

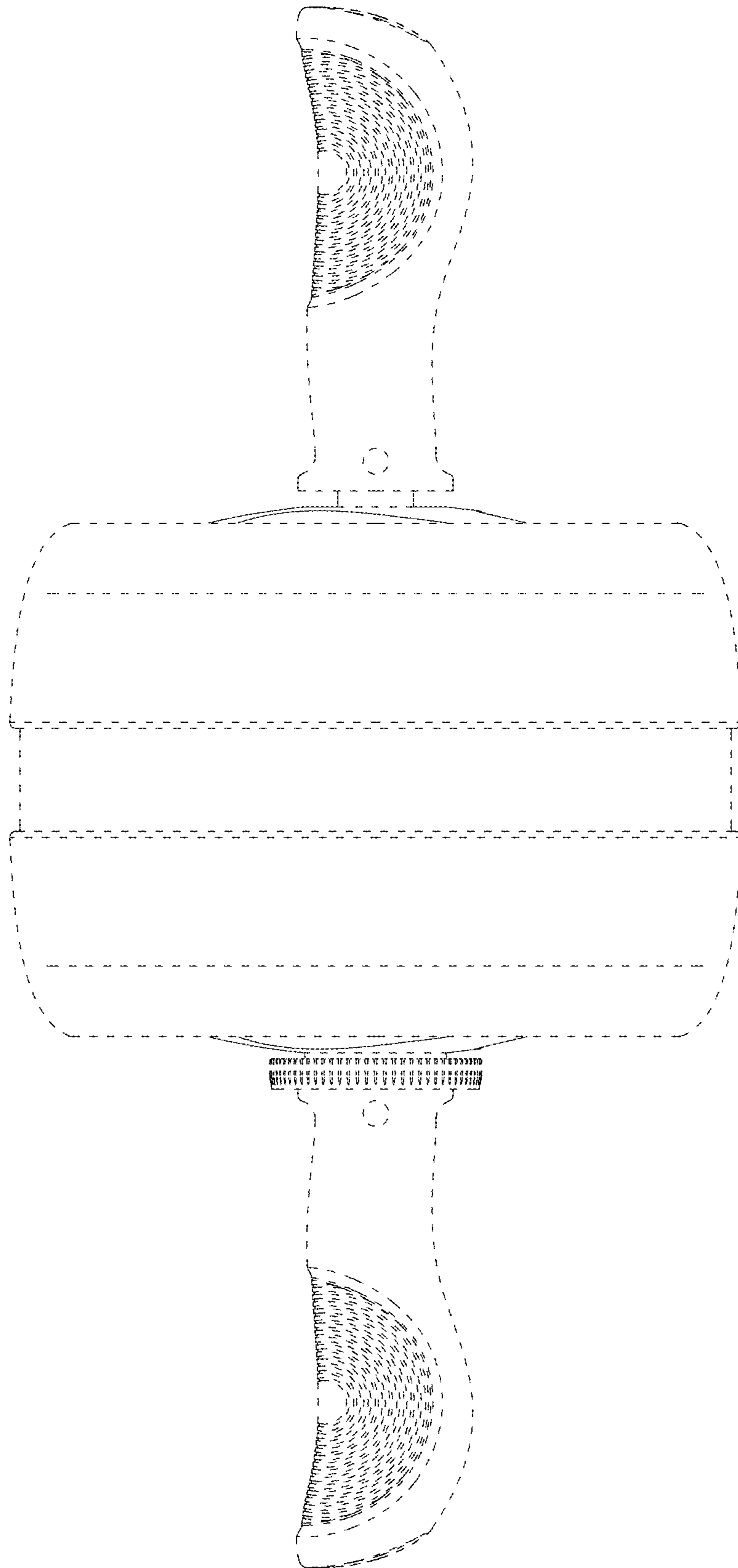


FIG. 7