



US00D952064S

(12) **United States Design Patent** (10) **Patent No.:** **US D952,064 S**  
**Pan** (45) **Date of Patent:** **\*\* May 17, 2022**

(54) **TREADMILL**

FOREIGN PATENT DOCUMENTS

(71) Applicant: **Rongwang Pan**, Jinhua (CN)

CN 202030633549.5 \* 10/2020

(72) Inventor: **Rongwang Pan**, Jinhua (CN)

CN 202030644890.6 \* 10/2020

KR 3020190049645 \* 10/2019

(\*\*) Term: **15 Years**

OTHER PUBLICATIONS

(21) Appl. No.: **29/757,647**

Confidence fitness, announced 2020[online], [site visited Jan. 26, 2022], Available on internet, URL:https://www.amazon.com/Confidence-Fitness-Treadmill-Electric-Motorized/dp/B08S77W5DF/ref (Year: 2020).\*

(22) Filed: **Nov. 8, 2020**

(30) **Foreign Application Priority Data**

Oct. 22, 2020 (CN) ..... 202030630594.0

(51) **LOC (13) Cl.** ..... **21-02**

(52) **U.S. Cl.**  
USPC ..... **D21/669**

(58) **Field of Classification Search**  
USPC ..... D21/662, 668, 670, 671, 669, 694  
See application file for complete search history.

*Primary Examiner* — Khawaja Anwar

*Assistant Examiner* — Julice Seung Eun Oum

(74) *Attorney, Agent, or Firm* — Cheng-Ju Chiang

(56) **References Cited**

(57) **CLAIM**

The ornamental design for a treadmill, as shown and described.

U.S. PATENT DOCUMENTS

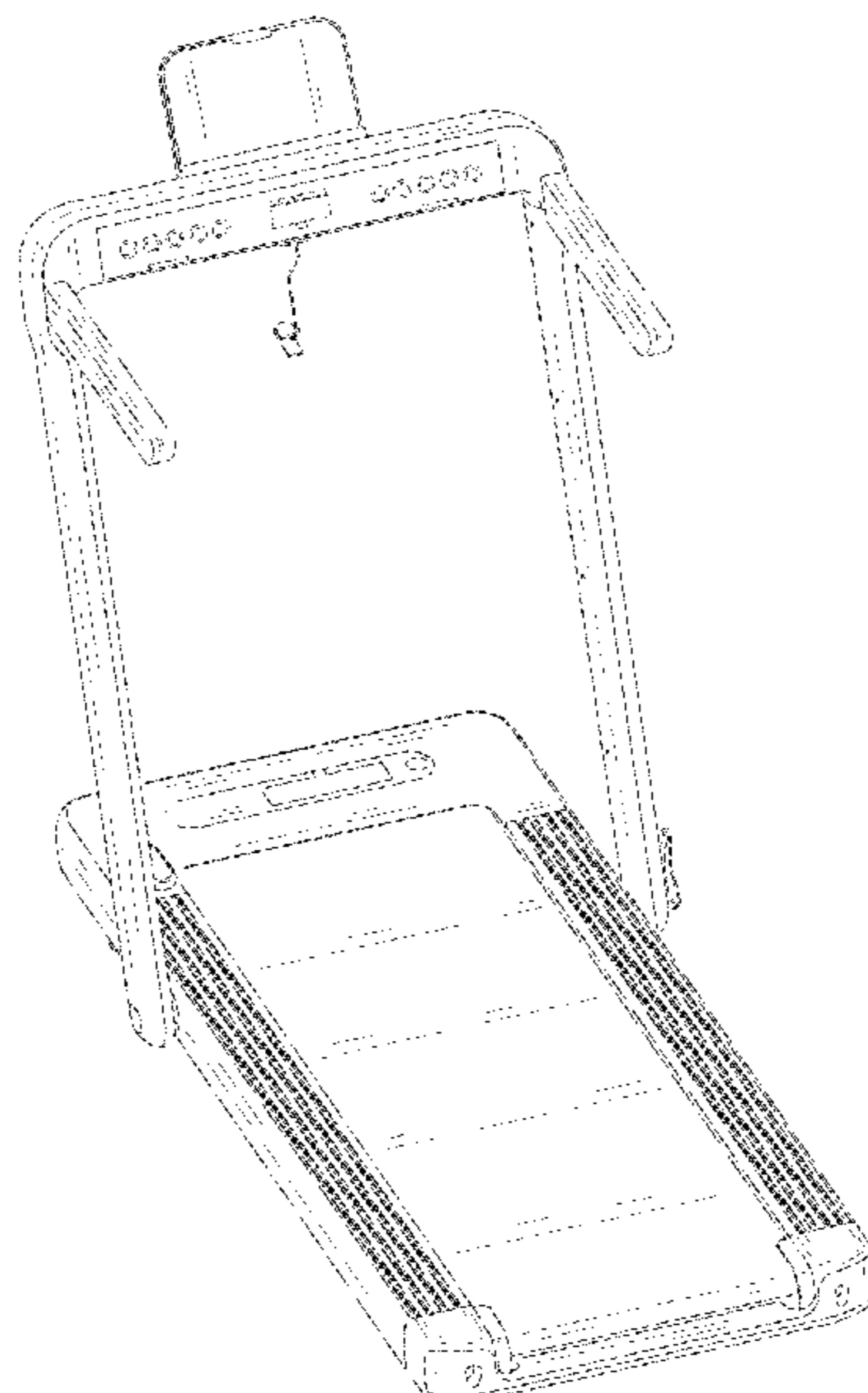
**DESCRIPTION**

- D280,002 S \* 8/1985 Smith ..... D21/669
- D289,312 S \* 4/1987 Trulaske ..... D21/669
- 6,390,955 B1 \* 5/2002 Wang ..... A63B 22/02  
482/54
- D494,234 S \* 8/2004 Sporie ..... D21/669
- D888,845 S \* 6/2020 Luo ..... D21/669
- D889,569 S \* 7/2020 Luo ..... D21/669
- D908,817 S \* 1/2021 Wang ..... D21/669
- D910,123 S \* 2/2021 Li ..... D21/669
- D919,719 S \* 5/2021 Ren ..... D21/669
- D926,895 S \* 8/2021 Zhu ..... D21/669
- D934,353 S \* 10/2021 Hu ..... D21/669
- D934,961 S \* 11/2021 Luo ..... D21/669
- D935,537 S \* 11/2021 Wang ..... D21/669
- 2006/0148621 A1 \* 7/2006 Lo ..... A63B 22/0235  
482/54
- 2009/0005224 A1 \* 1/2009 Davis ..... A63B 22/02  
482/54

FIG. 1 is a front perspective view of a treadmill in accordance with my design;  
FIG. 2 is a front plan view thereof;  
FIG. 3 is a rear side view thereof;  
FIG. 4 is a left side view thereof;  
FIG. 5 is a right side view thereof;  
FIG. 6 is a top view thereof;  
FIG. 7 is a bottom view thereof;  
FIG. 8 is an enlarged view of a circle portion 8 of FIG. 3; and,  
FIG. 9 is an enlarged view of a circle portion 9 of FIG. 4. The broken lines are directed to environment and are for illustrative purposes only. The broken lines form no part of the claimed design.

(Continued)

**1 Claim, 9 Drawing Sheets**



(56)

**References Cited**

U.S. PATENT DOCUMENTS

2016/0184625 A1\* 6/2016 Chang ..... B32B 27/08  
482/54  
2016/0279465 A1\* 9/2016 Chang ..... A63B 22/02  
2021/0346752 A1\* 11/2021 Holmes ..... A63B 24/0075  
2021/0387043 A1\* 12/2021 Tian ..... A63B 22/0235  
2021/0402279 A1\* 12/2021 Luo ..... A63B 22/02

\* cited by examiner

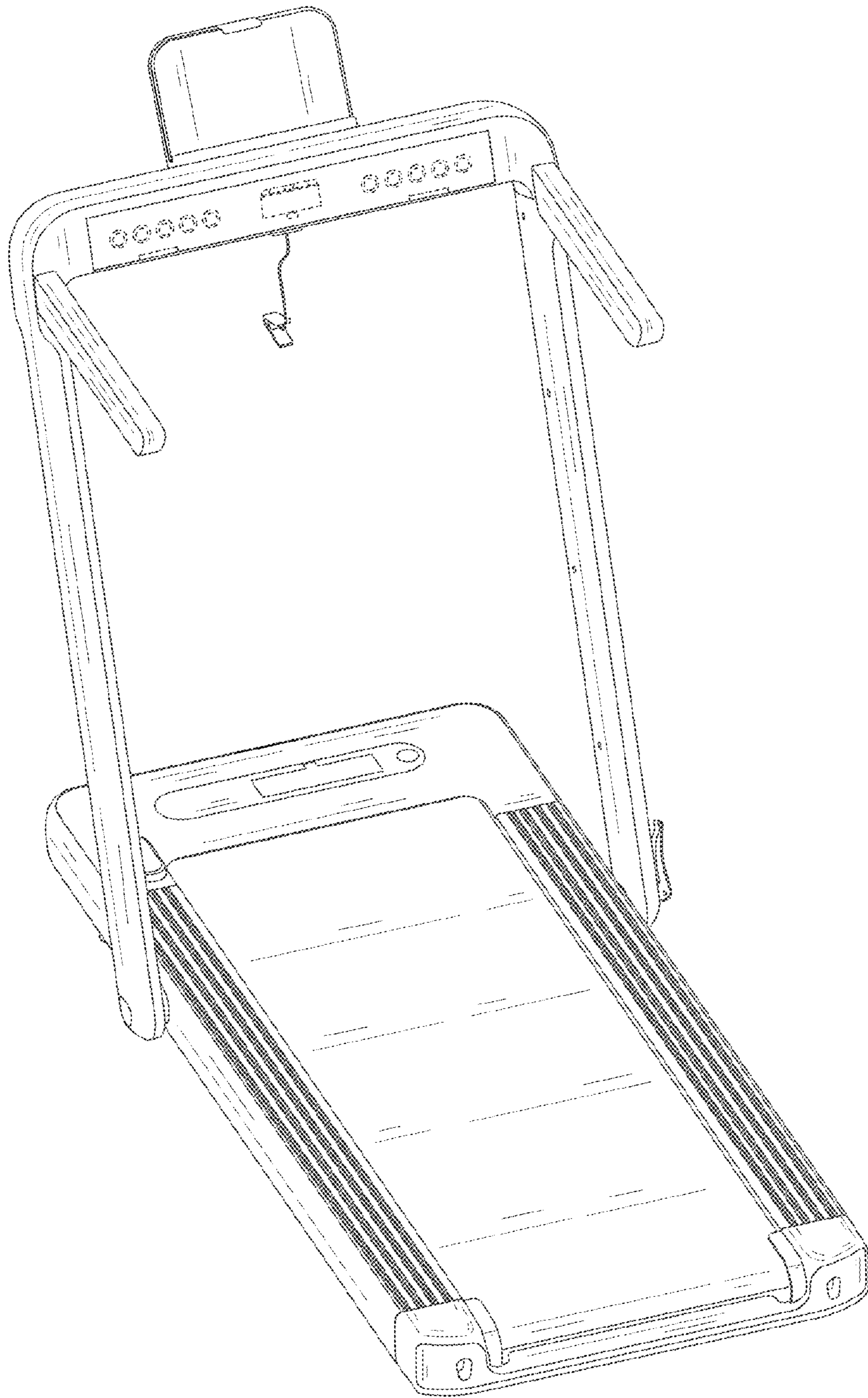


FIG. 1

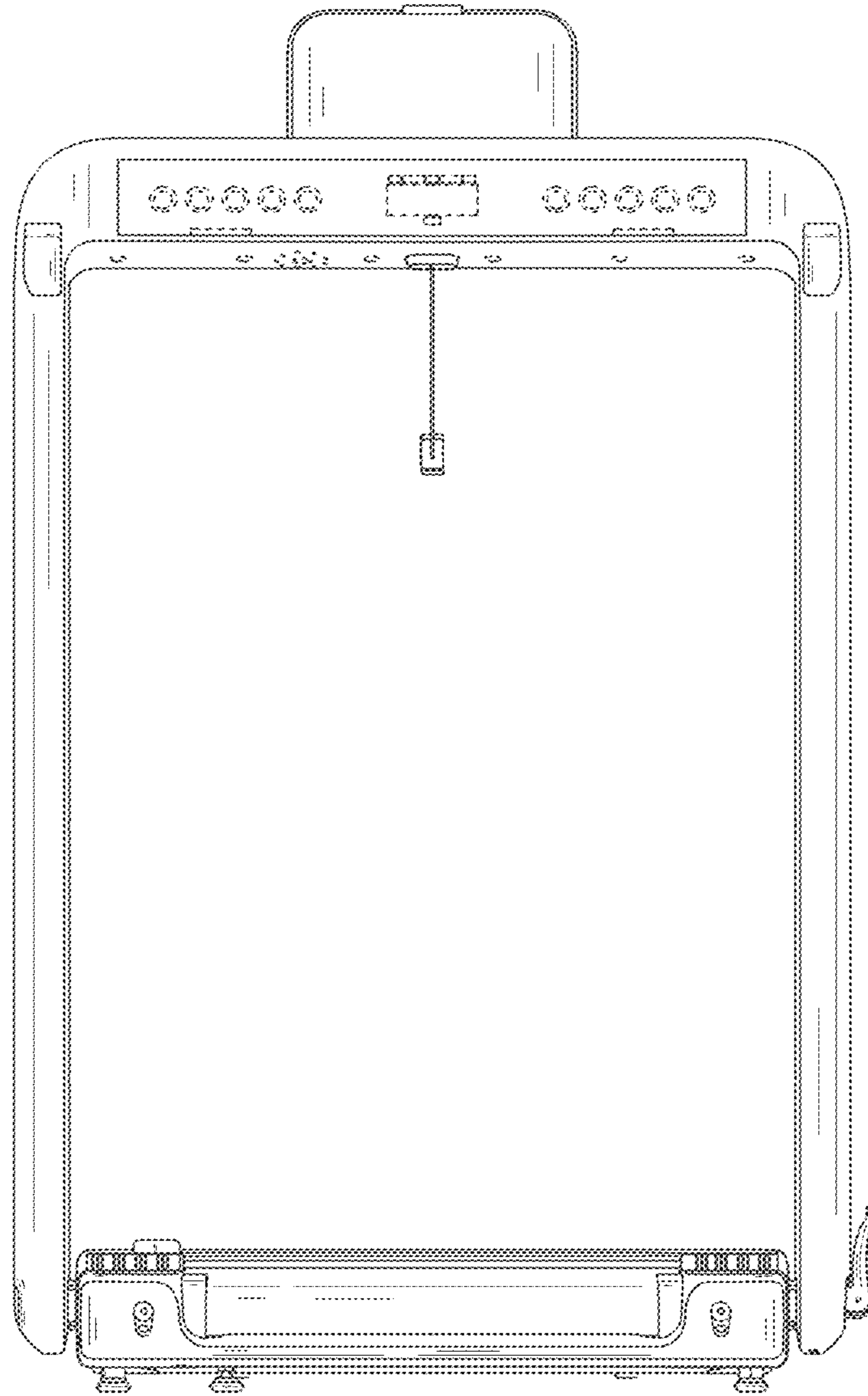


FIG. 2

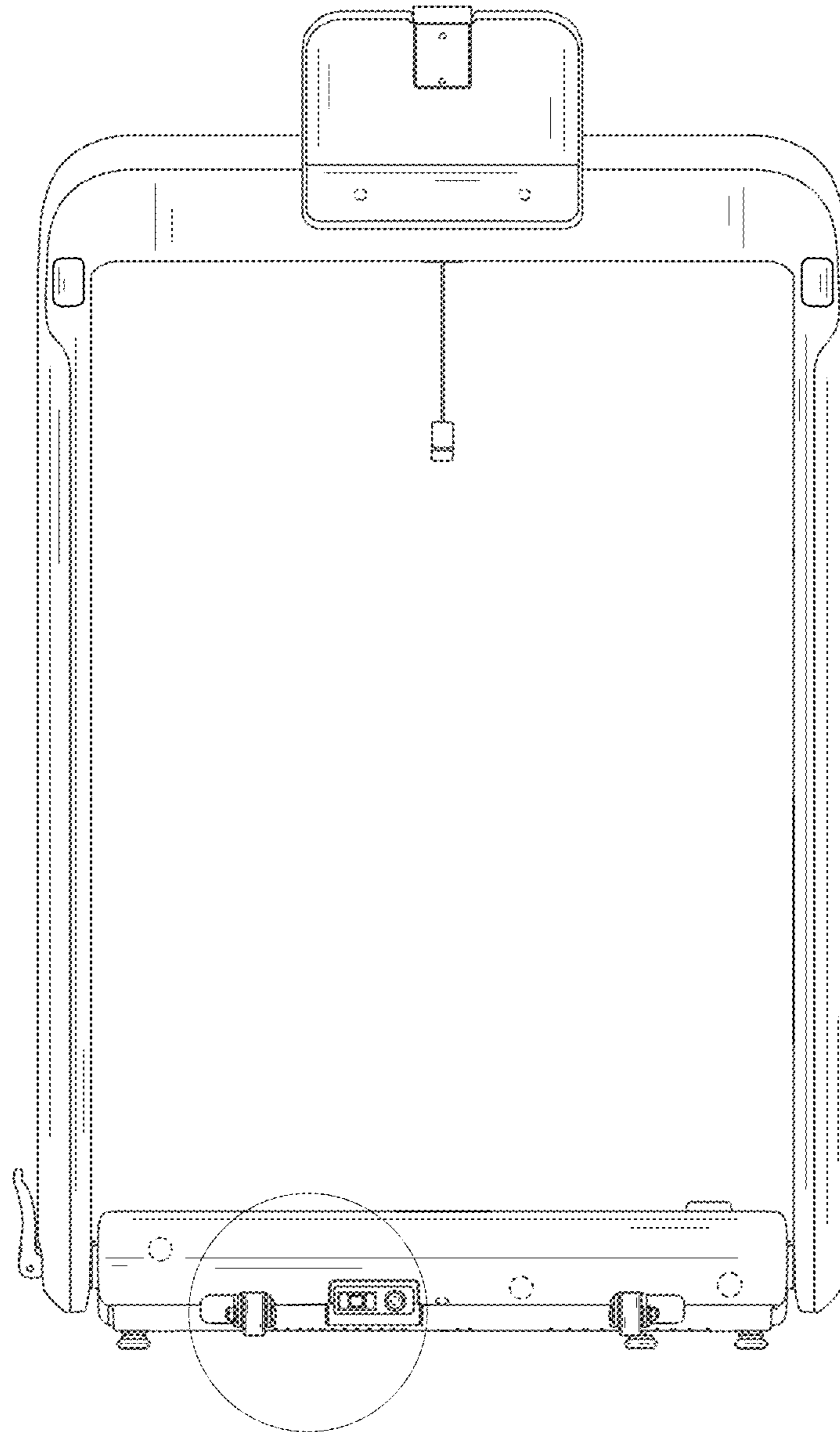


FIG. 3

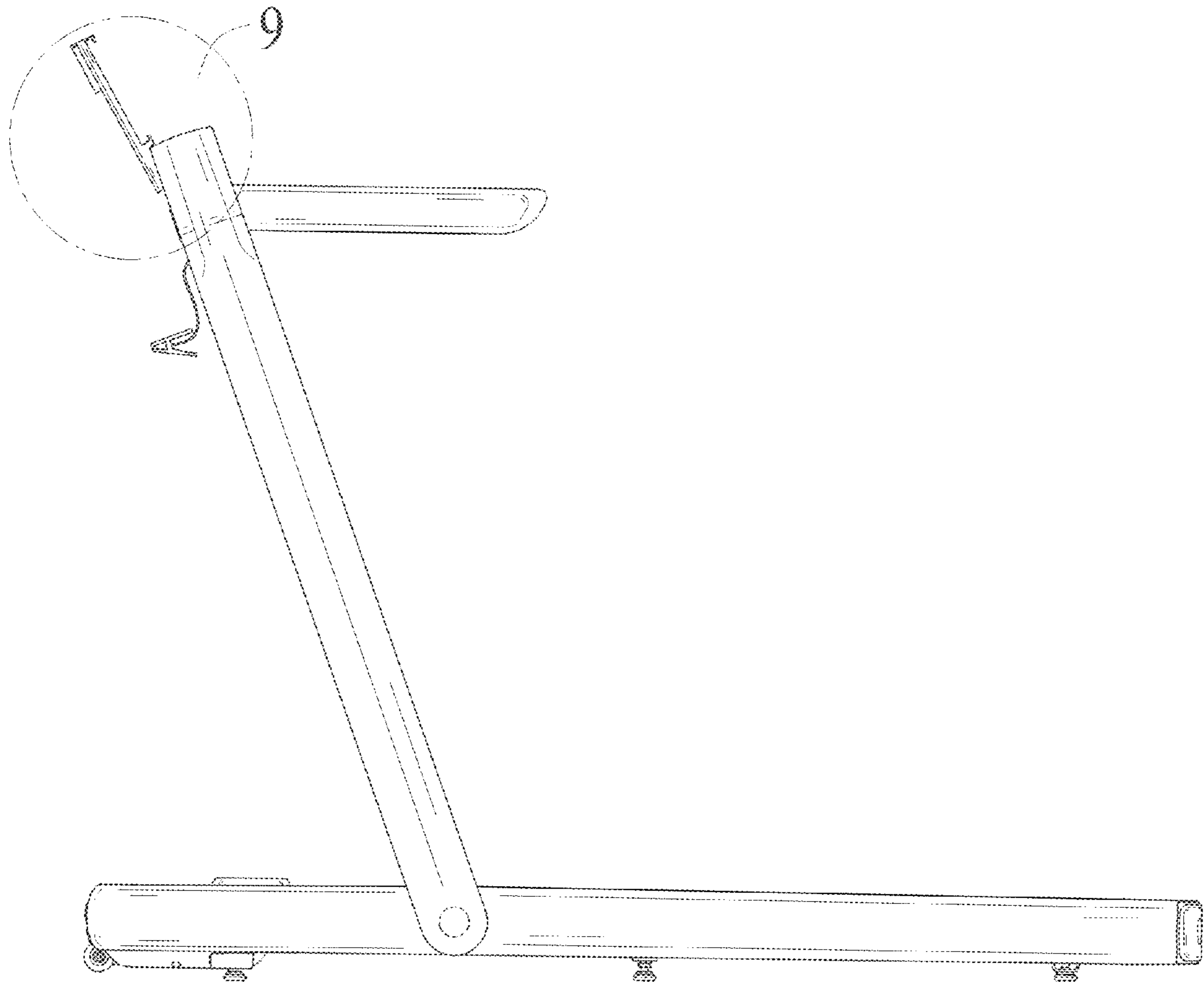


FIG. 4

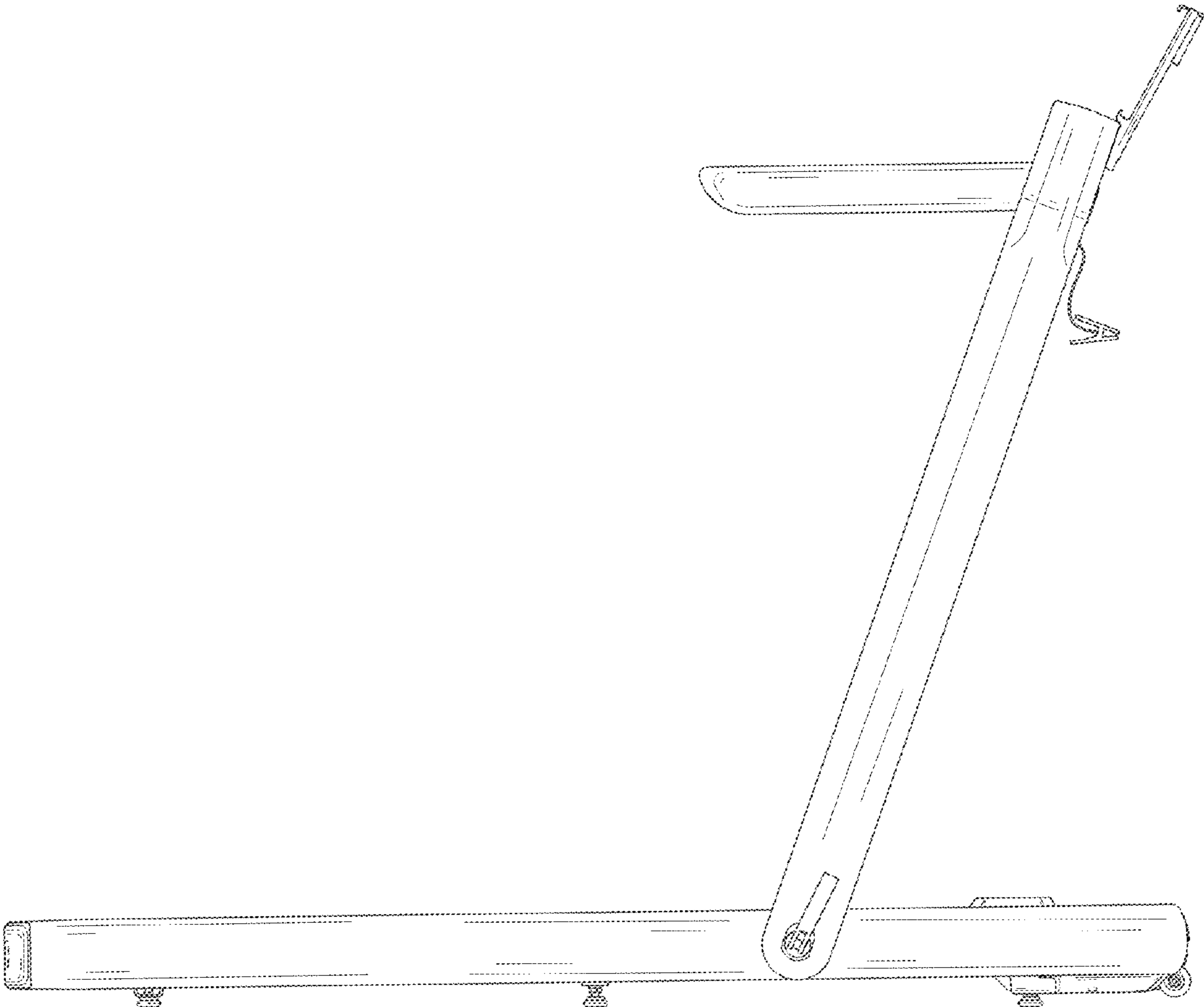


FIG. 5

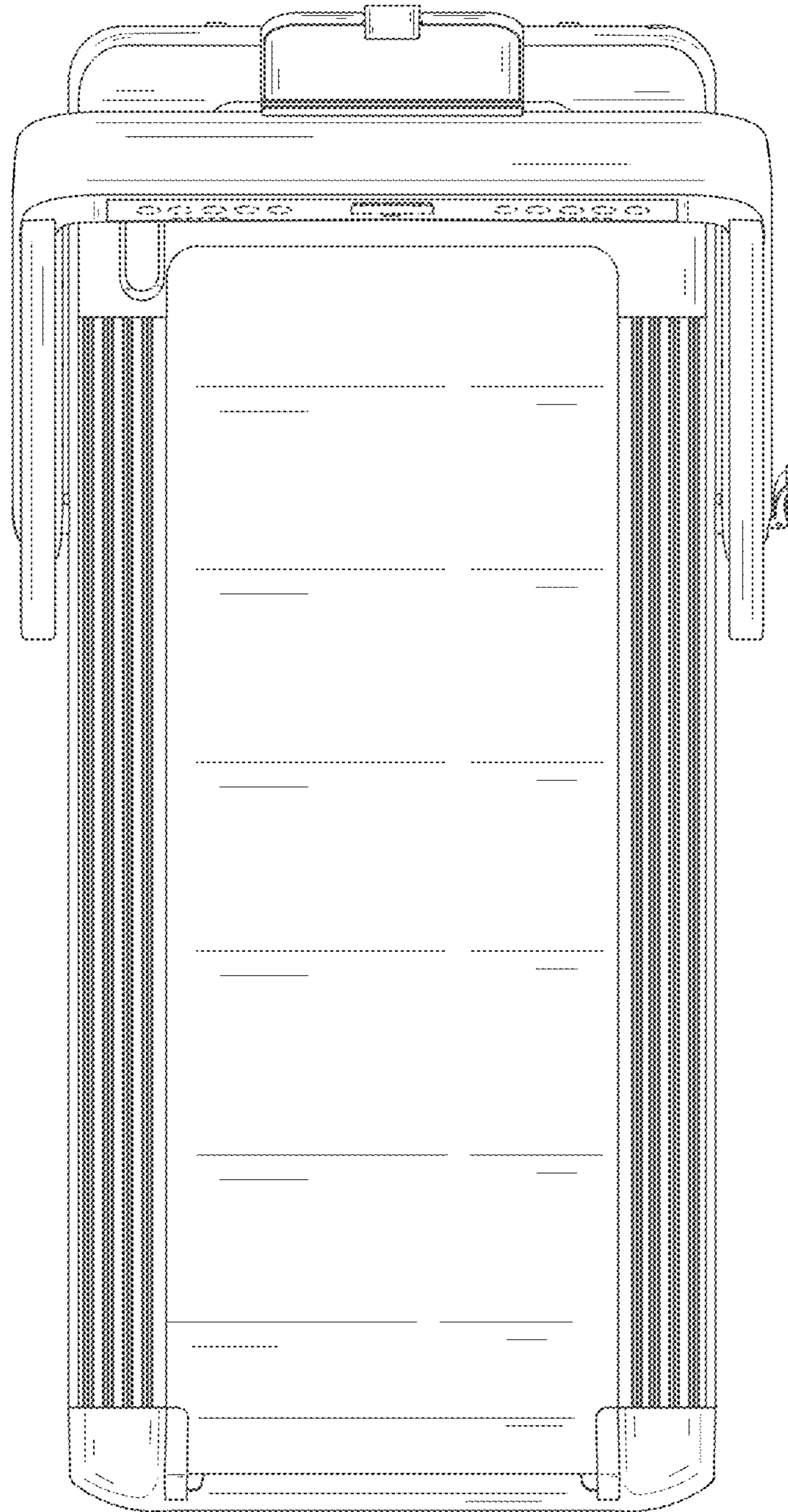


FIG. 6



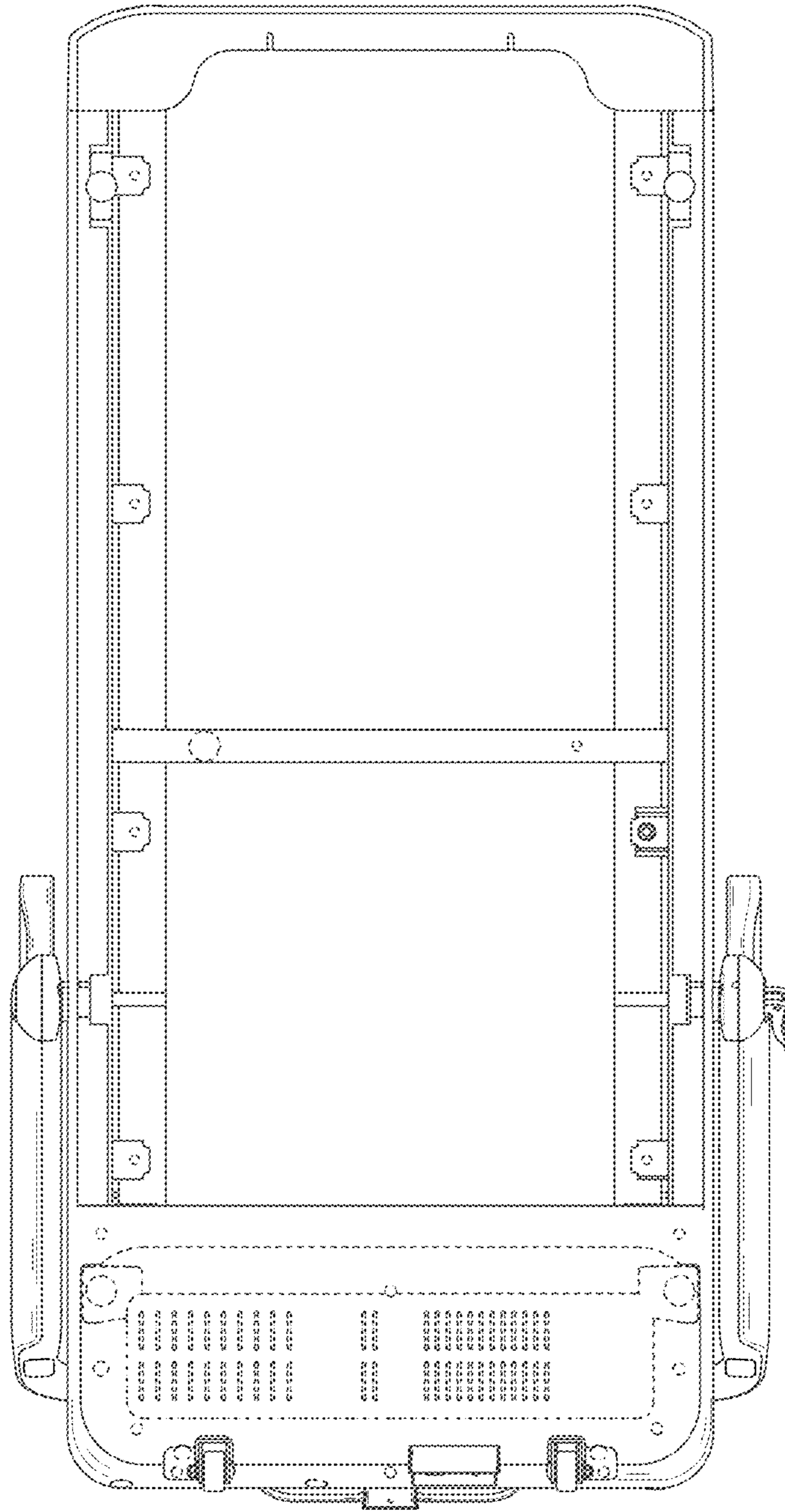


FIG. 7

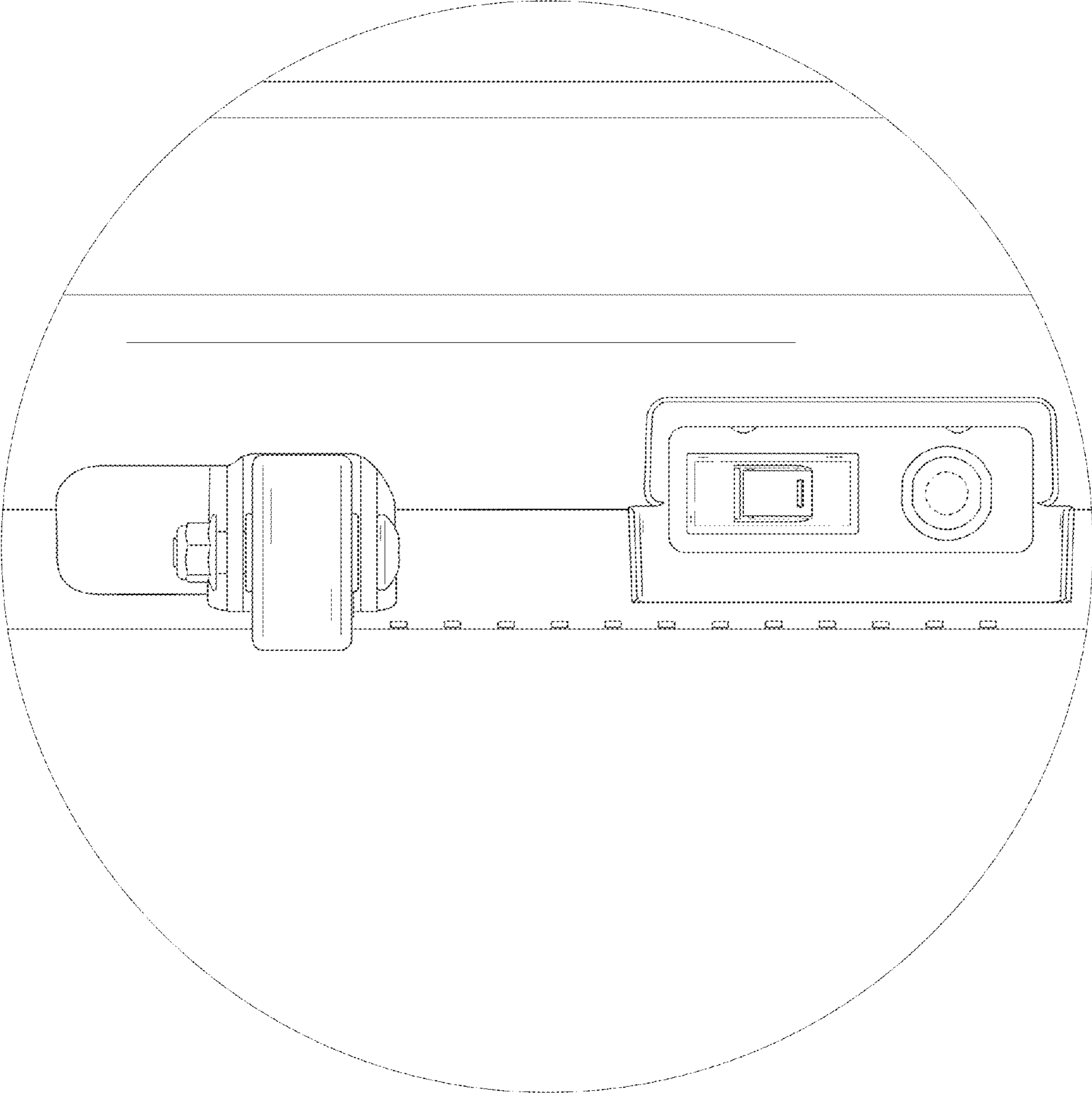


FIG. 8

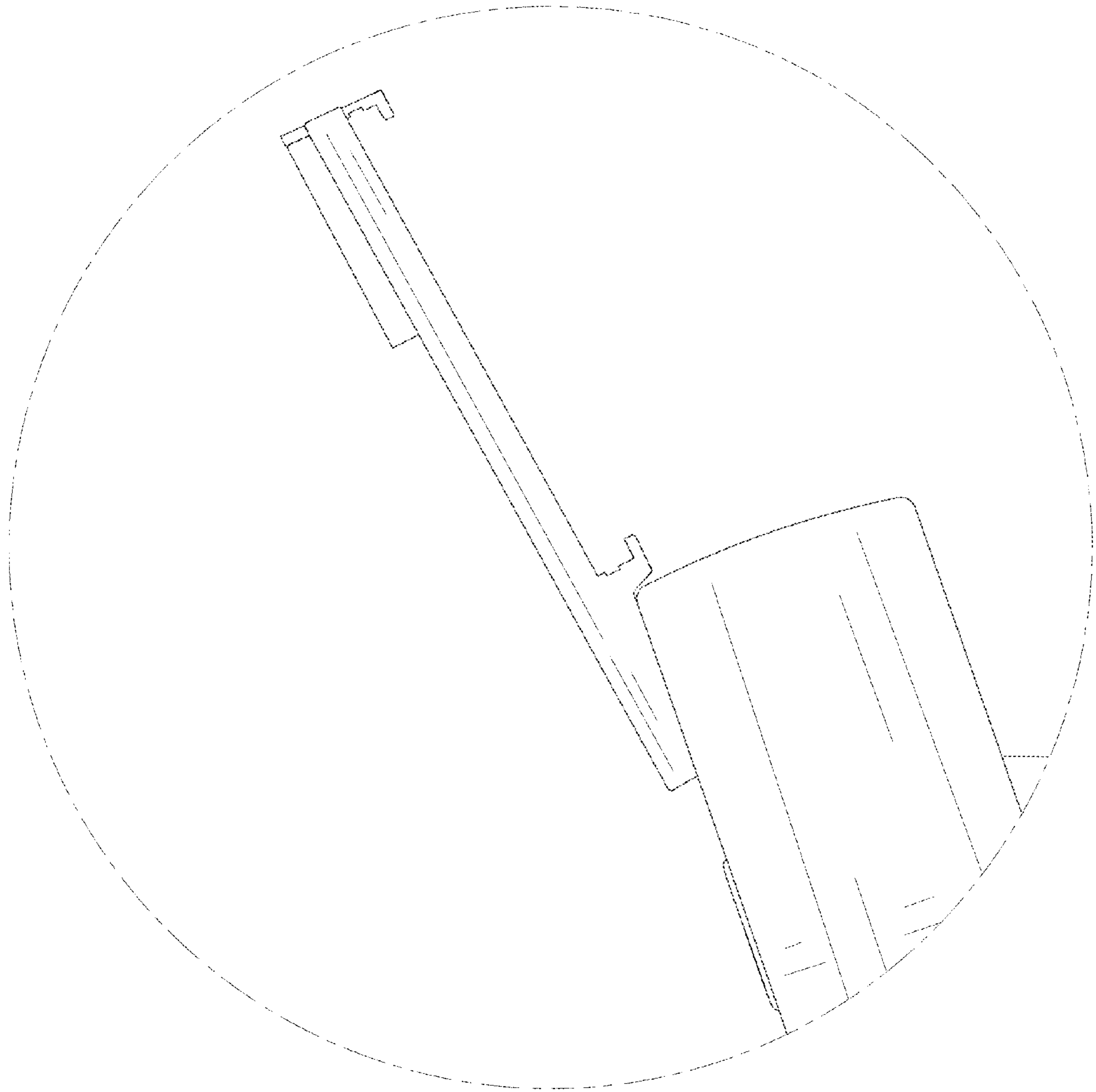


FIG. 9