



US00D952063S

(12) **United States Design Patent**
Lv et al.

(10) **Patent No.:** **US D952,063 S**
(45) **Date of Patent:** **** May 17, 2022**

(54) **EXERCISE BICYCLE**

(71) Applicant: **Xuwei Lv**, Yongkang (CN)

(72) Inventors: **Xuwei Lv**, Yongkang (CN); **Yan Zheng**, Yichun (CN)

(73) Assignee: **Xuwei Lv**, Yongkang (CN)

(**) Term: **15 Years**

(21) Appl. No.: **29/755,485**

(22) Filed: **Oct. 21, 2020**

(30) **Foreign Application Priority Data**

Jun. 17, 2020 (CN) 202030312666.7

(51) **LOC (13) Cl.** **21-02**

(52) **U.S. Cl.**
USPC **D21/663**

(58) **Field of Classification Search**
USPC D21/662, 686, 663, 666, 668, 670, 671,
D21/697, 667
See application file for complete search history.

(56) **References Cited**

U.S. PATENT DOCUMENTS

D297,153 S *	8/1988	Smith	D21/663
D401,645 S *	11/1998	Kuo	D21/668
D410,712 S *	6/1999	Giger	D21/665
D535,710 S *	1/2007	Hsiung	D21/668
D636,826 S *	4/2011	Chan	D21/663
D681,136 S *	4/2013	Liu	D21/663
D838,789 S *	1/2019	Hu	D21/670

2008/0300113 A1*	12/2008	Battiston	A63B 21/4049 482/51
2015/0045190 A1*	2/2015	Keiser	A63B 21/0051 482/57
2017/0025925 A1*	1/2017	Wu	F03G 5/06

OTHER PUBLICATIONS

Relief rebuild your life store, announced 2017[online], [site visited Jan. 4, 2022]. Available on internet, URL:<https://www.amazon.com/RELIFE-REBUILD-YOUR-LIFE-Vertical/dp/B071CKK5SQ/ref> (Year: 2017).*

Maxi climber store, announced 2014[online], [site visited Jan. 4, 2022]. Available on internet, URL:<https://www.amazon.com/MaxiClimber-original-patented-Vertical-Climber/dp/B00K6ZURAW/ref> (Year: 2014).*

* cited by examiner

Primary Examiner — Khawaja Anwar

Assistant Examiner — Julice Seung Eun Oum

(57) **CLAIM**

The ornamental design for an exercise bicycle, as shown and described.

DESCRIPTION

FIG. 1 is a perspective view of an exercise bicycle showing my new design;

FIG. 2 is another perspective view thereof;

FIG. 3 is a front elevational view thereof;

FIG. 4 is a rear elevational view thereof;

FIG. 5 is a right side elevational view thereof;

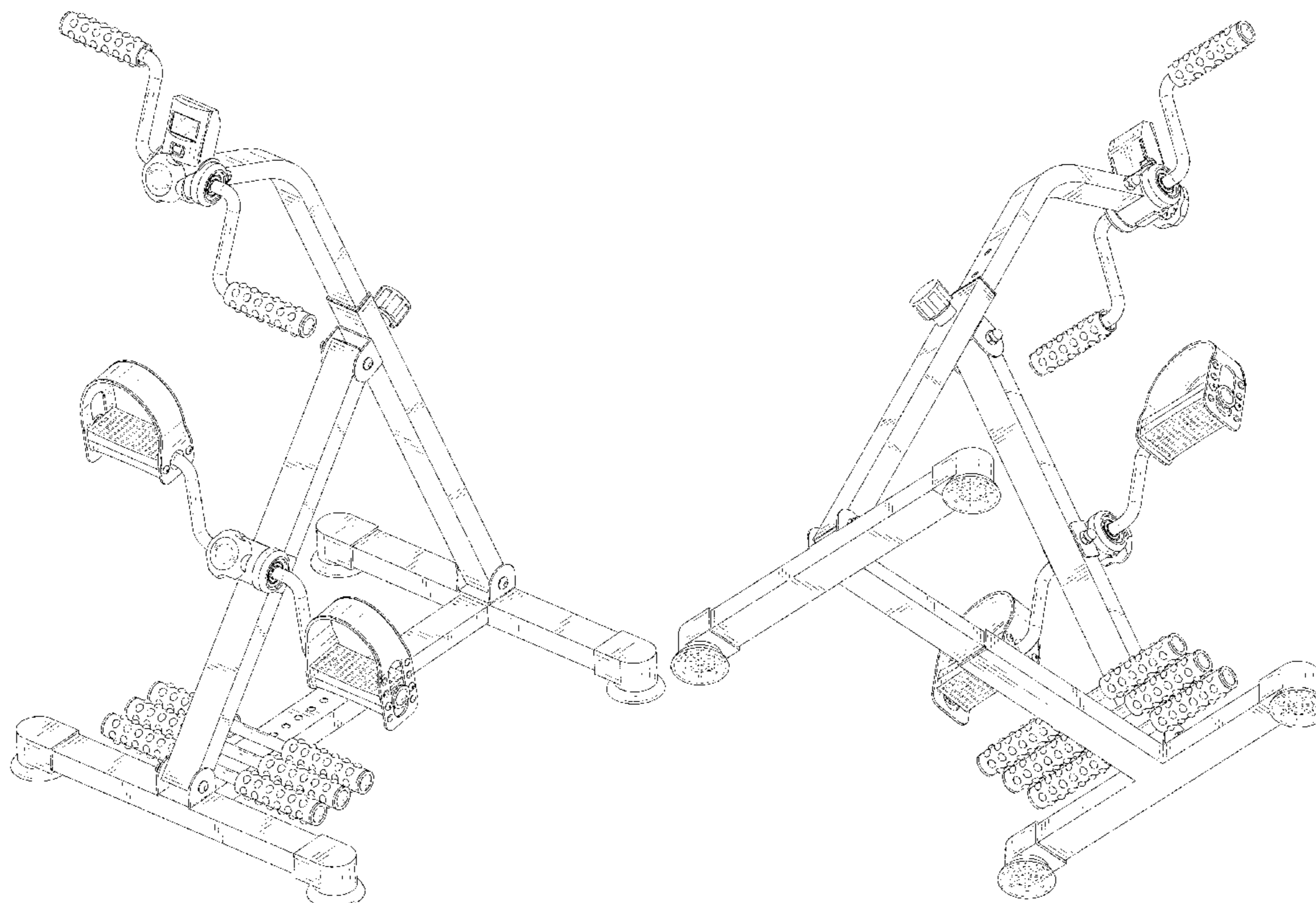
FIG. 6 is a left side elevational view thereof;

FIG. 7 is a top plan view thereof; and,

FIG. 8 is a bottom plan view thereof.

The broken lines in the drawings depict portions of the exercise bicycle that form no part of the claimed design.

1 Claim, 8 Drawing Sheets



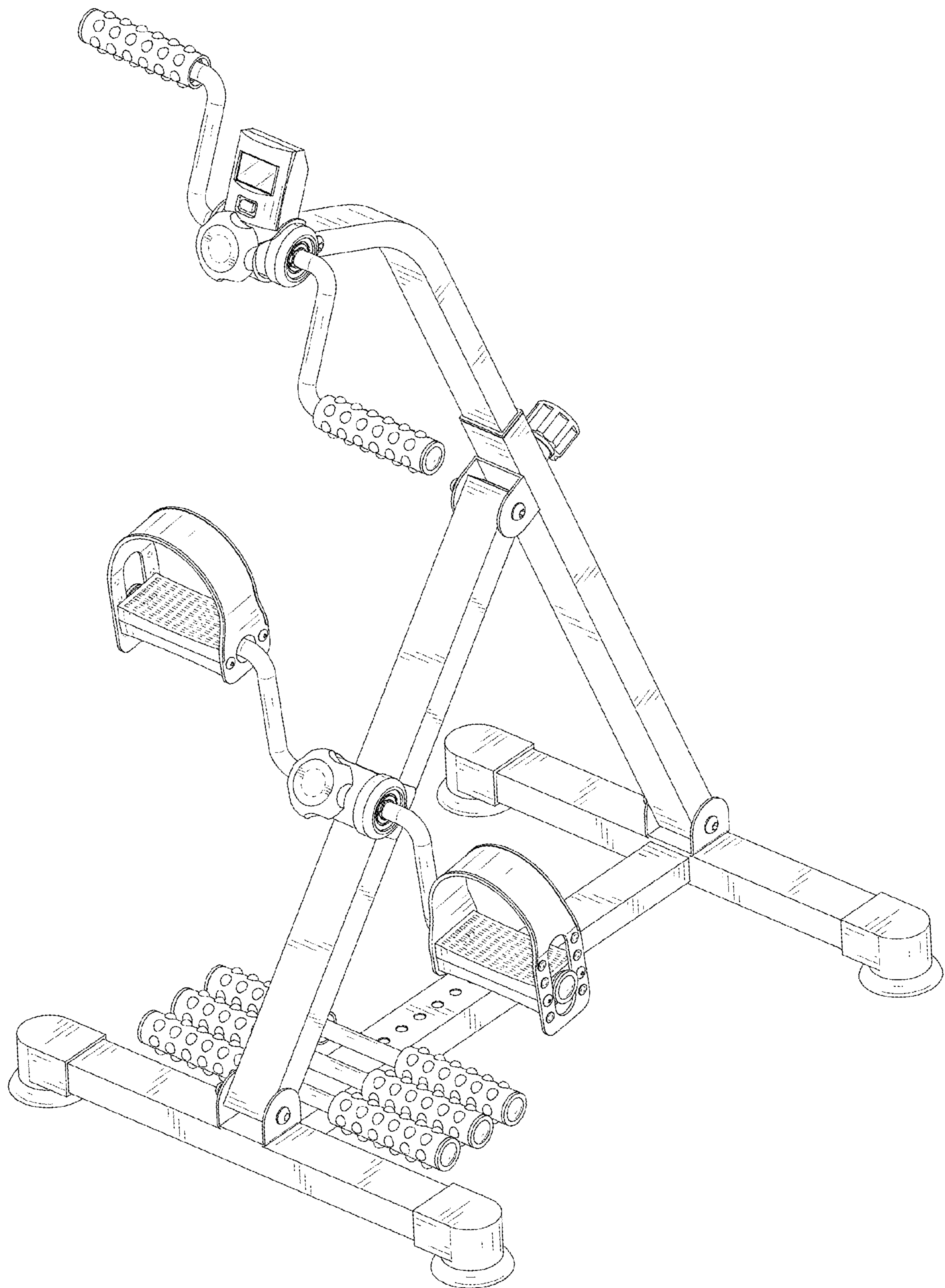


FIG. 1

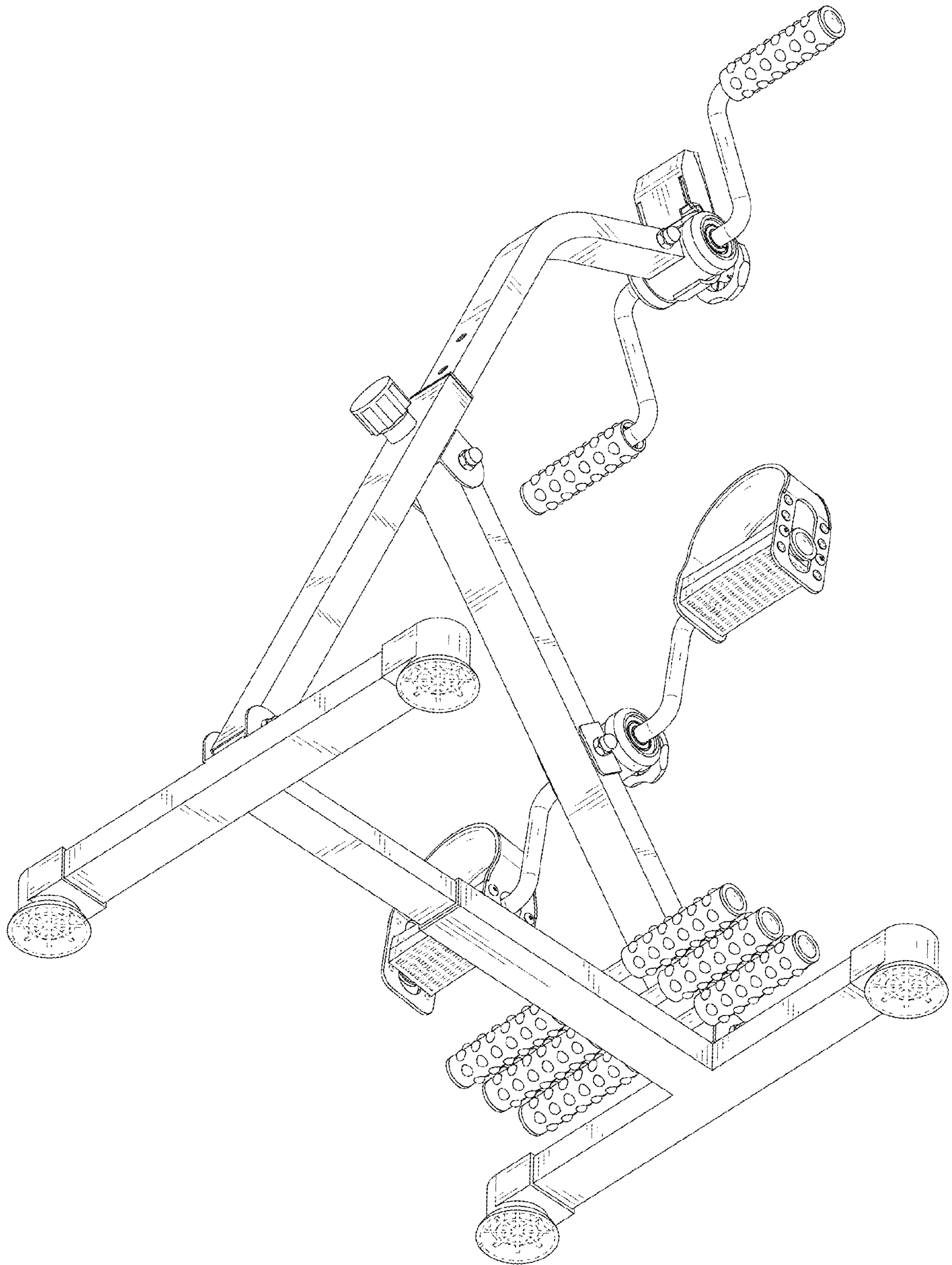


FIG. 2

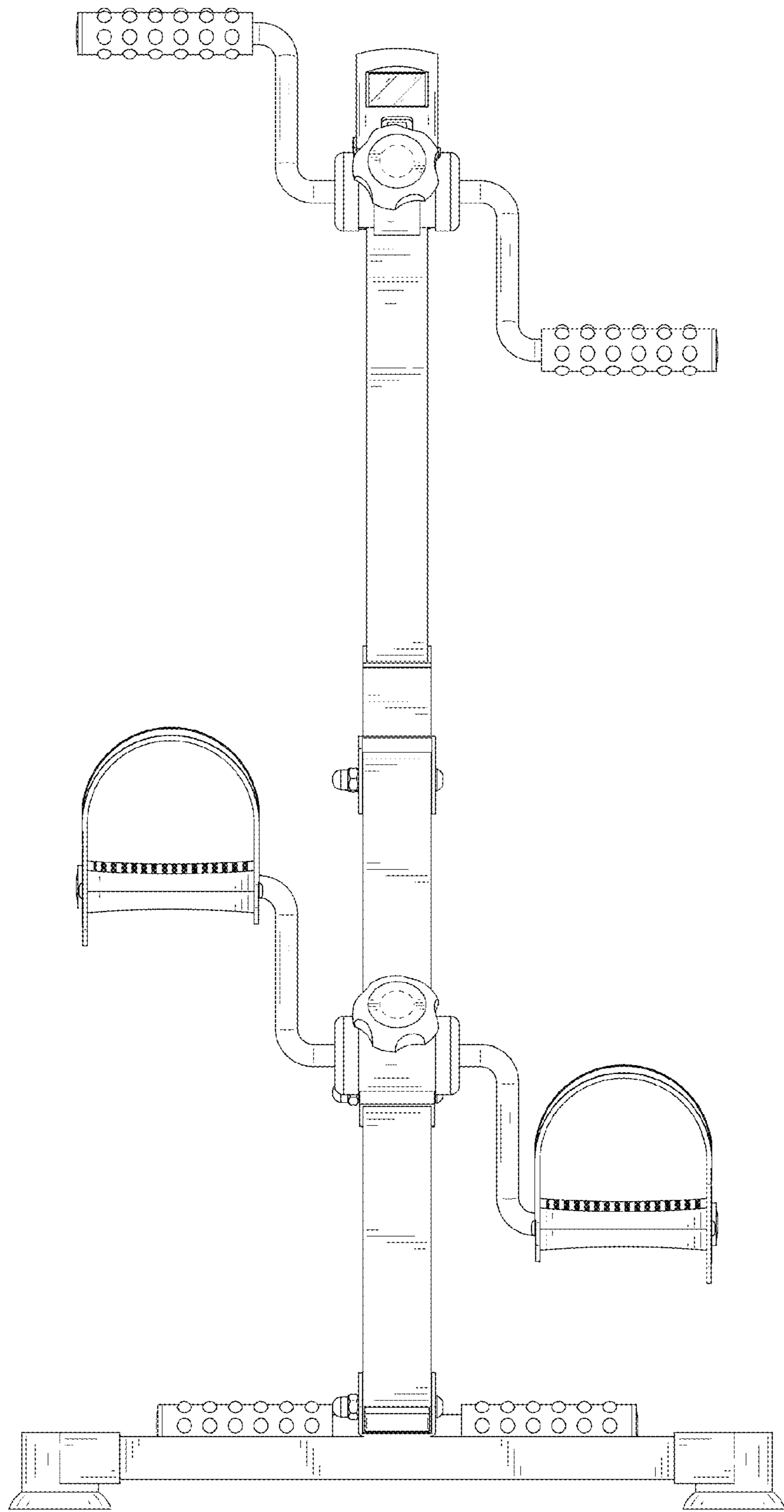


FIG. 3

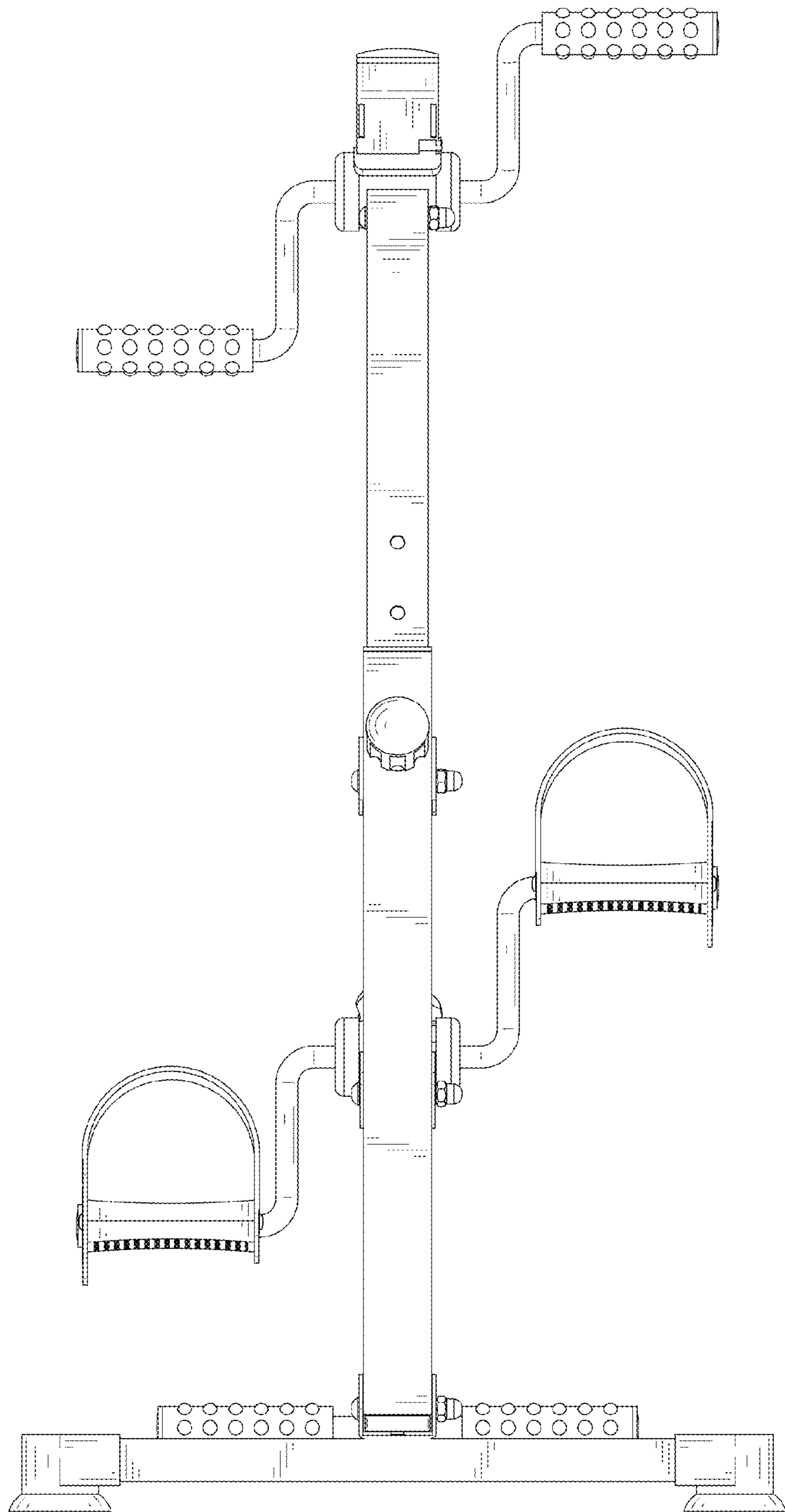


FIG. 4

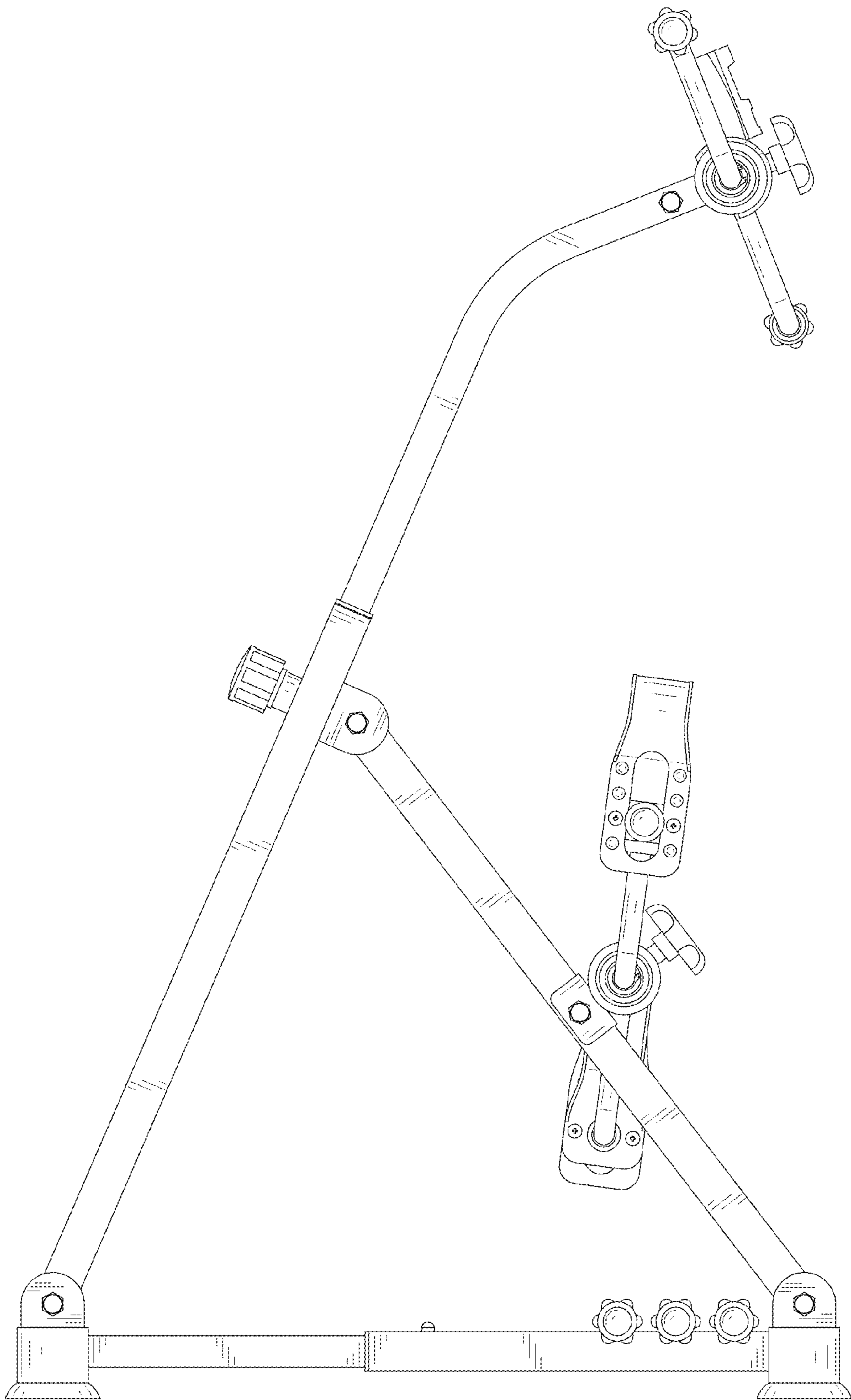


FIG. 5

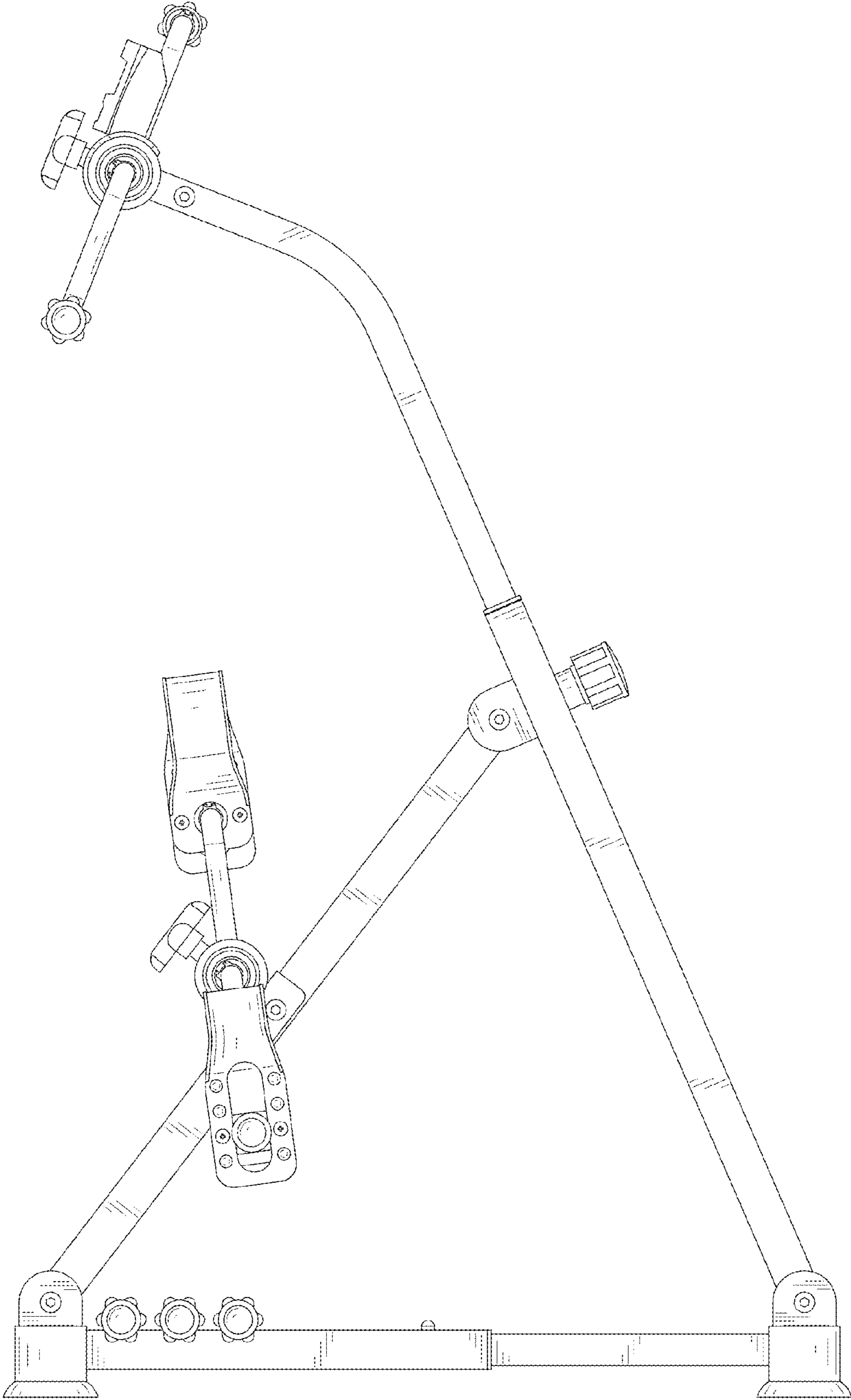


FIG. 6

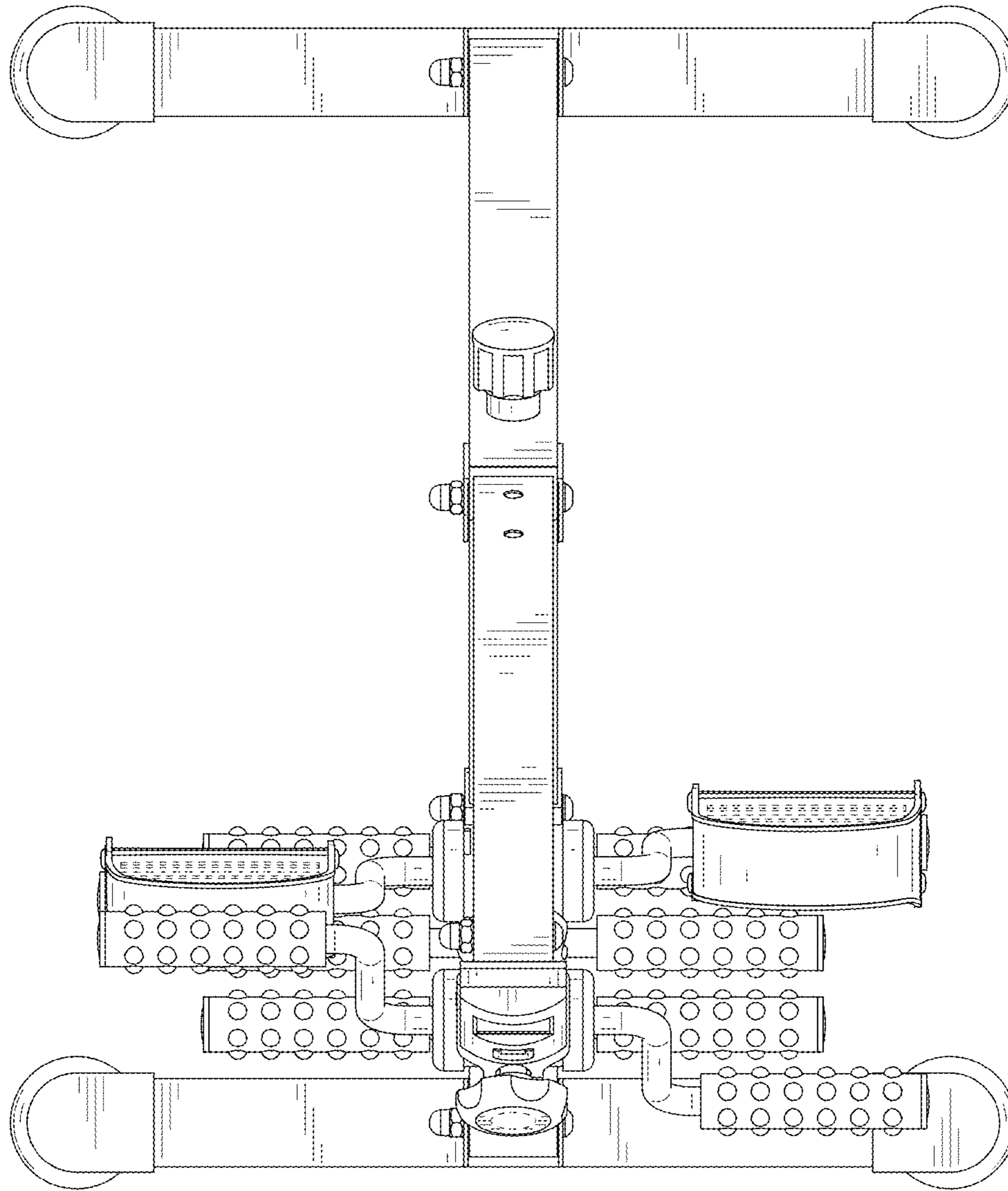


FIG. 7

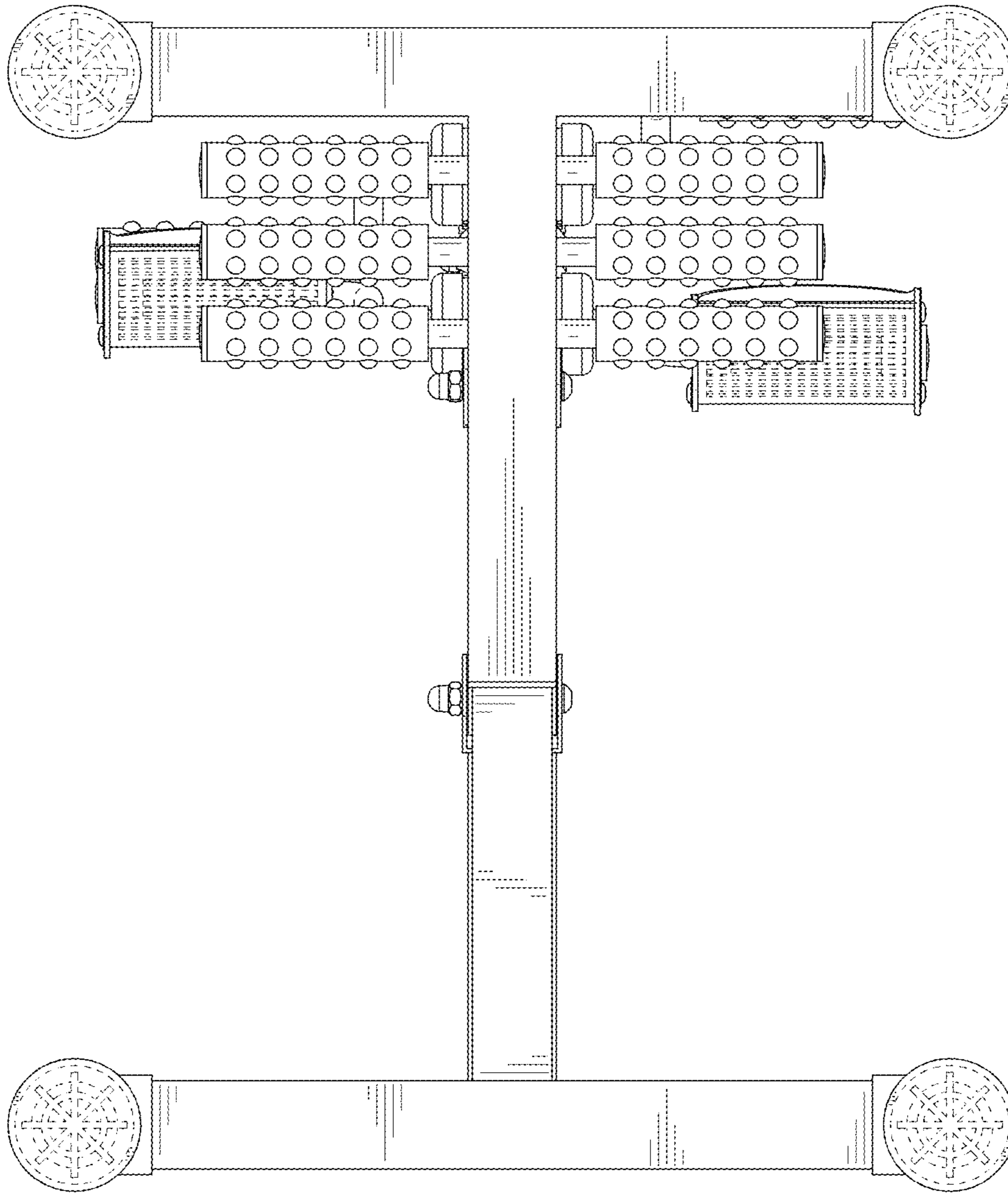


FIG. 8