



US00D952061S

(12) **United States Design Patent**  
**Kiribuchi**

(10) **Patent No.:** **US D952,061 S**

(45) **Date of Patent:** **\*\* May 17, 2022**

(54) **ASSEMBLING TOY**

(71) Applicant: **People Co., Ltd.**, Tokyo (JP)

(72) Inventor: **Masato Kiribuchi**, Tokyo (JP)

(73) Assignee: **People Co., Ltd.**, Tokyo (JP)

(\*\*) Term: **15 Years**

(21) Appl. No.: **29/795,841**

(22) Filed: **Jun. 21, 2021**

(30) **Foreign Application Priority Data**

Dec. 24, 2020 (JP) ..... 2020-028057

(51) **LOC (13) Cl.** ..... **21-01**

(52) **U.S. Cl.**  
USPC ..... **D21/602; D21/658; D11/158**

(58) **Field of Classification Search**  
USPC ..... D11/57, 134, 137, 158, 162, 141;  
D21/490, 576, 96, 598, 599, 602, 611,  
D21/618-620, 661, 653, 656, 658  
See application file for complete search history.

(56) **References Cited**

**U.S. PATENT DOCUMENTS**

- D228,931 S \* 10/1973 Greider ..... D21/585
- D237,446 S \* 11/1975 Ashton ..... D7/639
- D261,163 S \* 10/1981 Takizawa ..... D21/585
- D264,952 S \* 6/1982 Santa-Eulalia Carbajales .....  
D11/158
- D280,331 S \* 8/1985 Newman ..... D11/158
- D287,383 S \* 12/1986 Sato ..... D21/602
- D330,575 S \* 10/1992 Kupperman ..... D21/599

- D341,634 S \* 11/1993 Miuccio ..... D21/602
- D386,254 S \* 11/1997 Lung-Ruey ..... D23/215
- D427,252 S \* 6/2000 Yamazaki ..... D21/576
- D451,230 S \* 11/2001 Sehl ..... D26/98
- D780,854 S \* 3/2017 Jin ..... D21/602

\* cited by examiner

*Primary Examiner* — Garth Rademaker

*Assistant Examiner* — Melvin L Davis

(74) *Attorney, Agent, or Firm* — Leydig, Voit & Mayer,  
Ltd.

(57) **CLAIM**

The ornamental design for an assembling toy, as shown and described.

**DESCRIPTION**

FIG. 1 is a front view of an assembling toy of the present invention.

FIG. 2 is a rear view thereof.

FIG. 3 is a top plan view thereof.

FIG. 4 is a bottom plan view thereof.

FIG. 5 is a right side view thereof.

FIG. 6 is a left side view thereof.

FIG. 7 is a perspective view thereof.

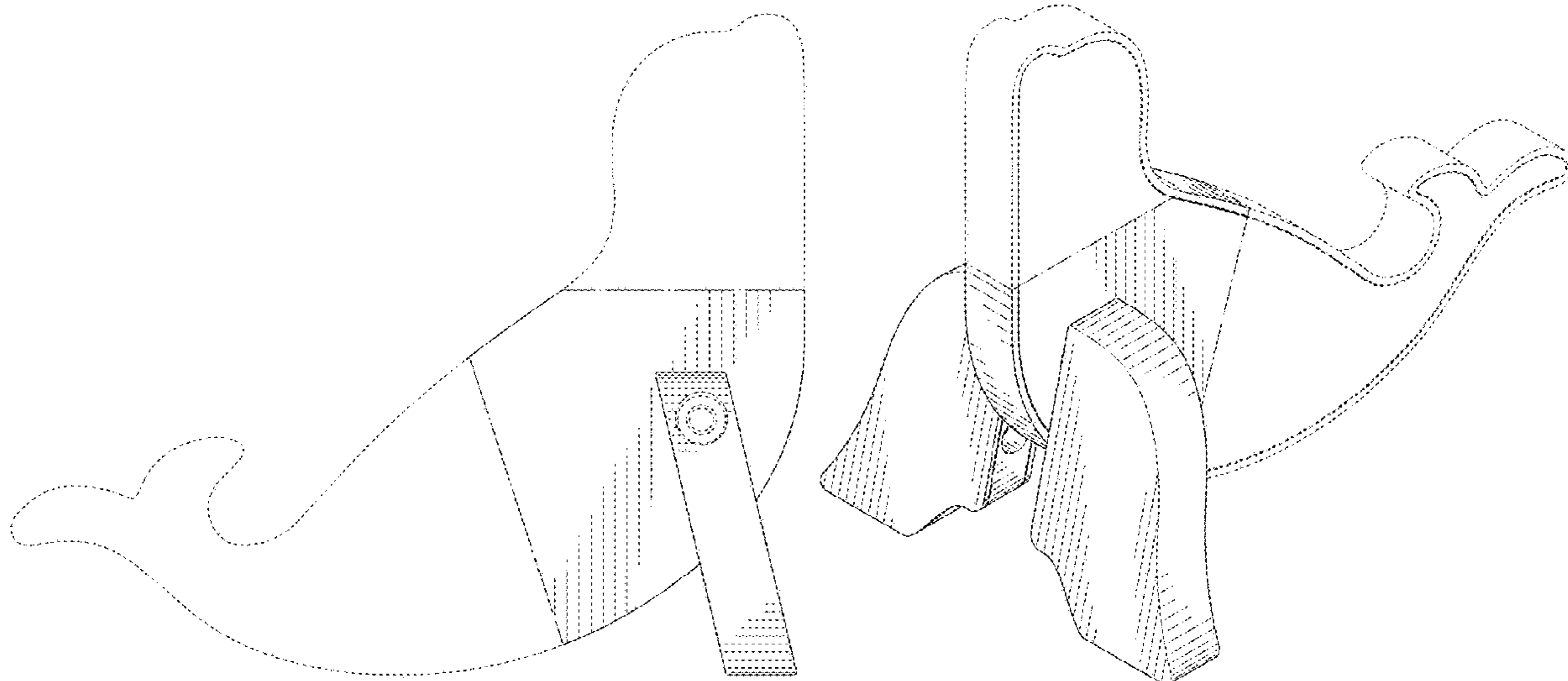
FIG. 8 is a sectional view thereof taken along section line 8-8 of FIG. 6; and,

FIG. 9 is a sectional view thereof taken along section line 9-9 of FIG. 6.

The alternating long and short dashed lines indicate bounds of the claimed design and form no part thereof.

The features shown in broken lines are included to illustrate portions of the assembling toy and form no part of the claimed design.

**1 Claim, 9 Drawing Sheets**



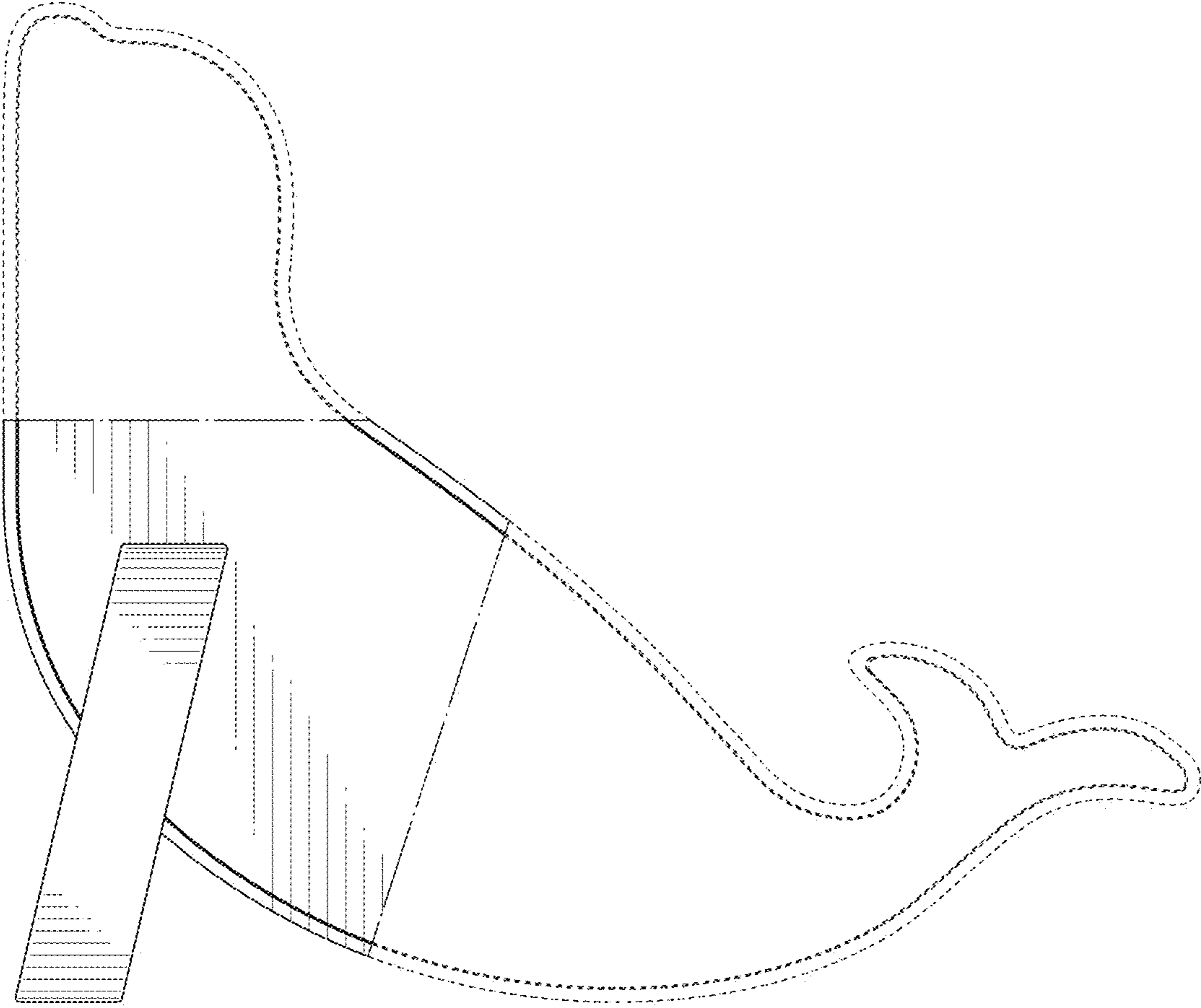


FIG.1

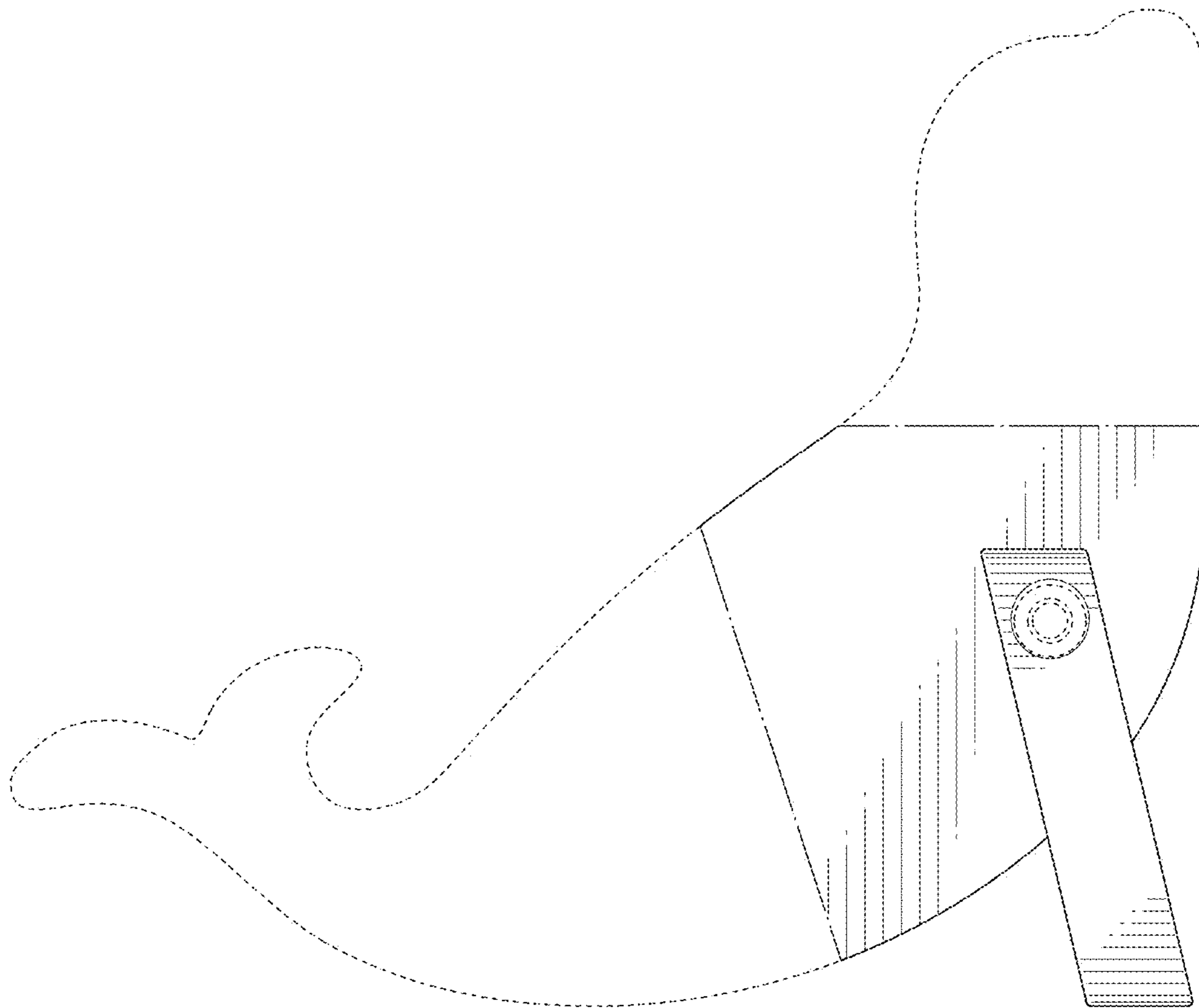


FIG.2

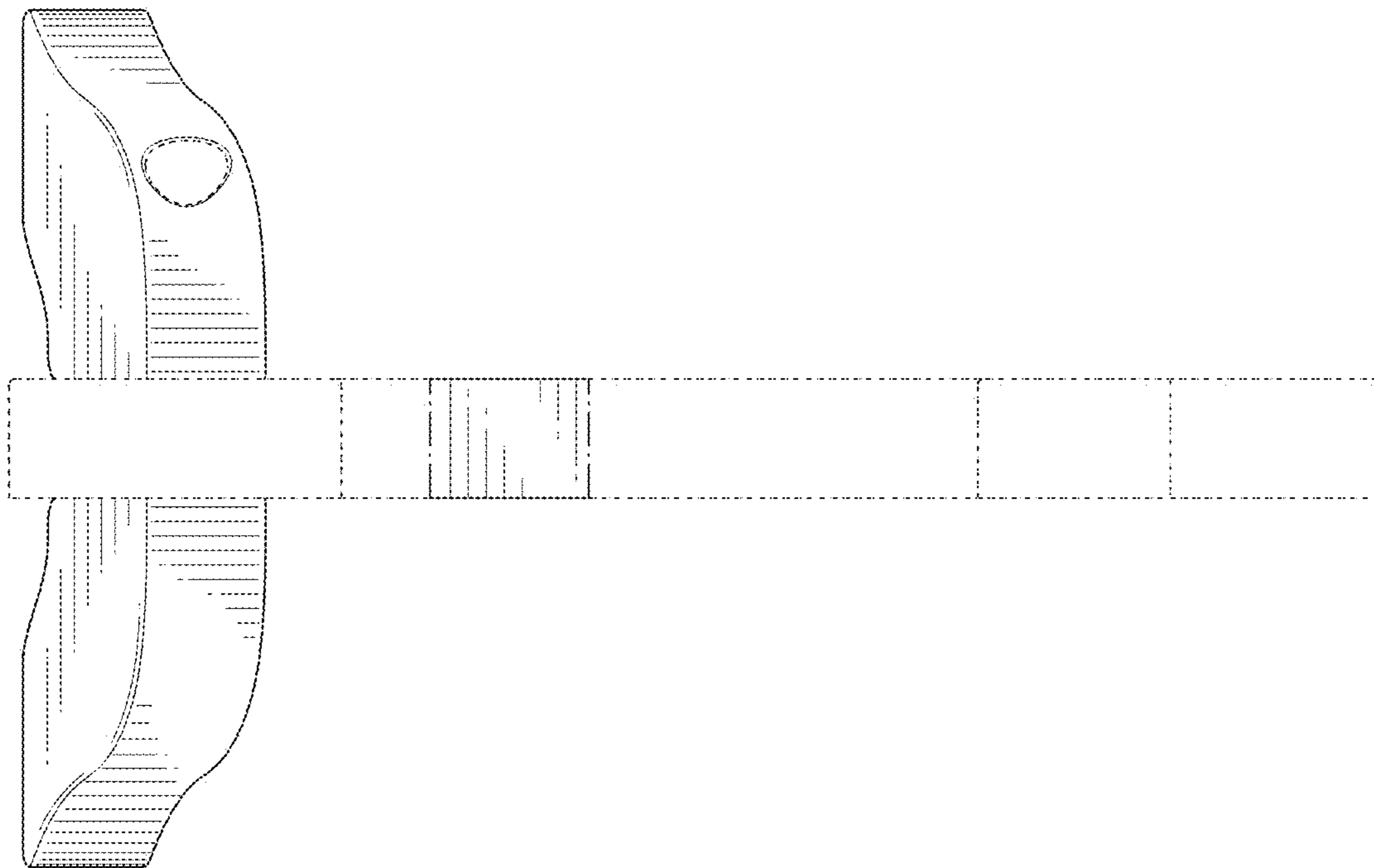


FIG.3

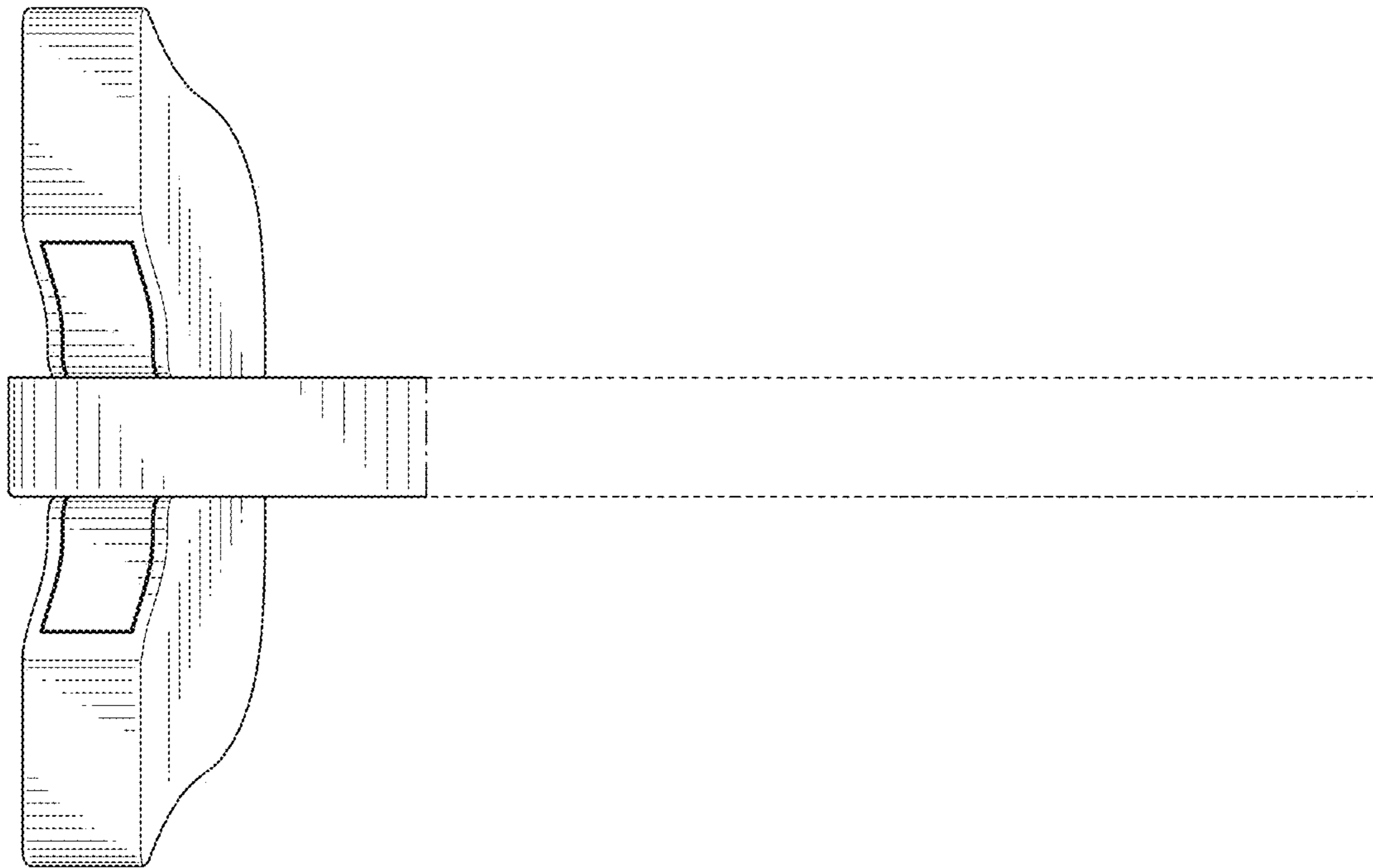


FIG.4

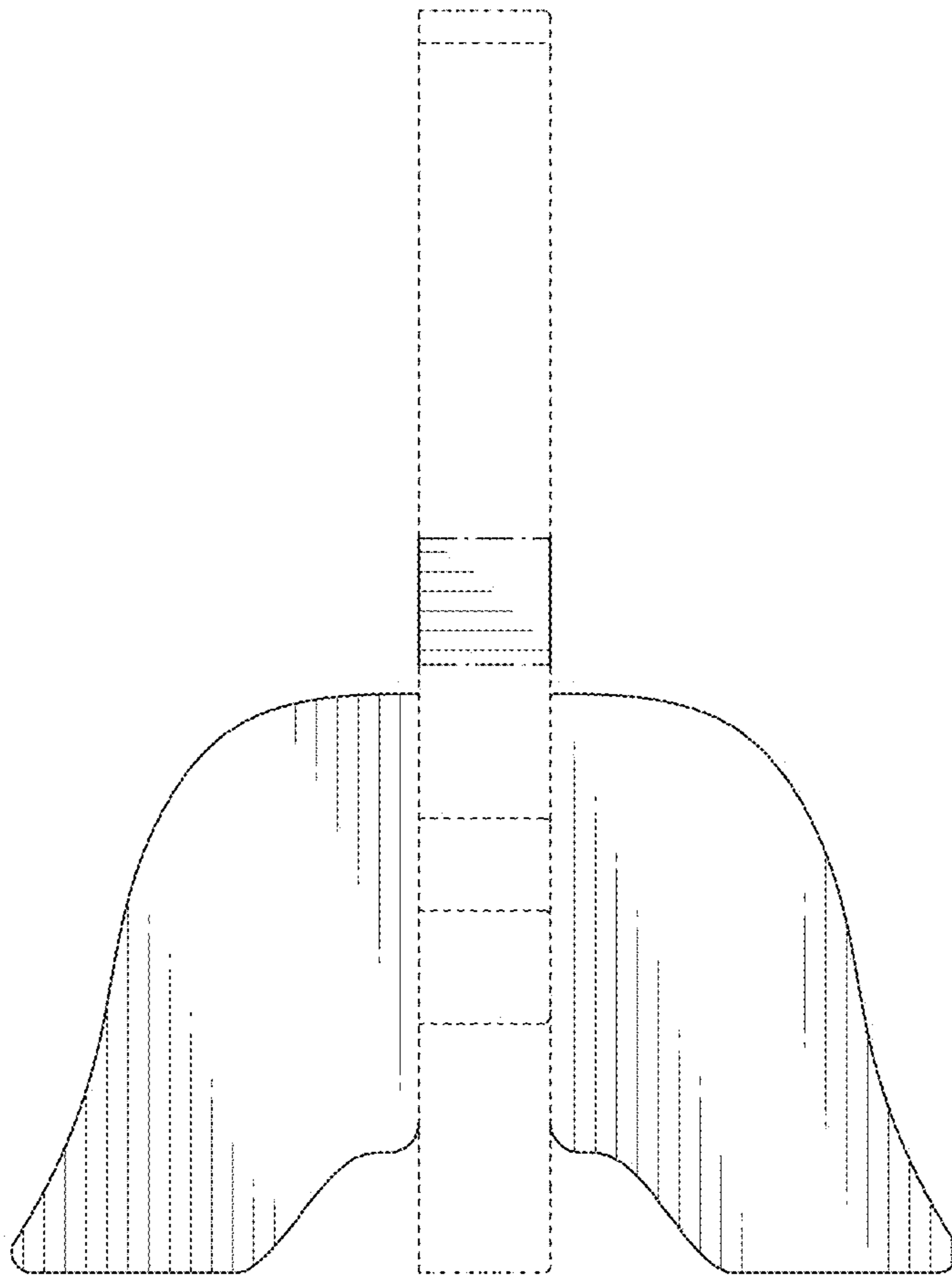


FIG. 5

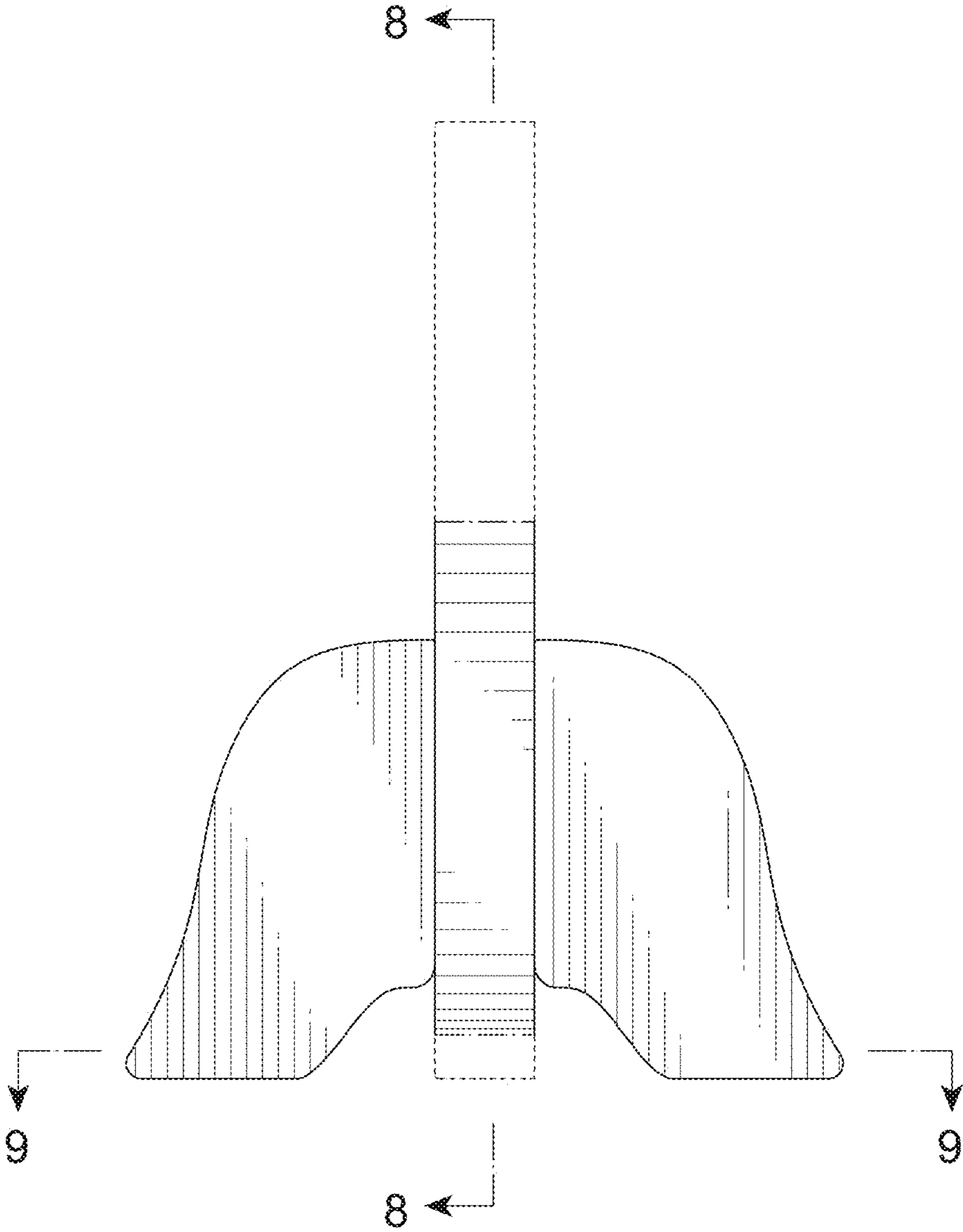


FIG. 6

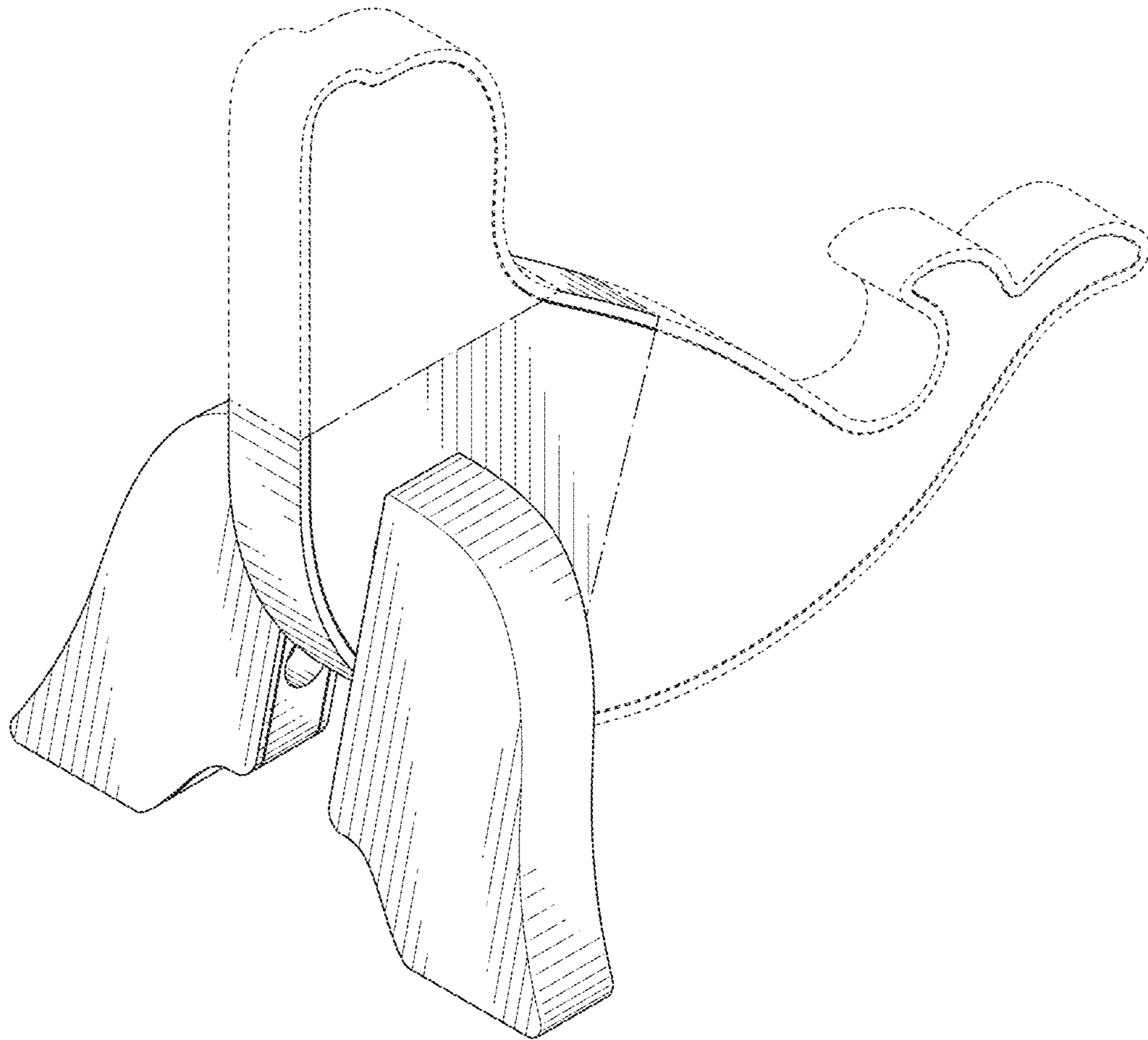


FIG. 7



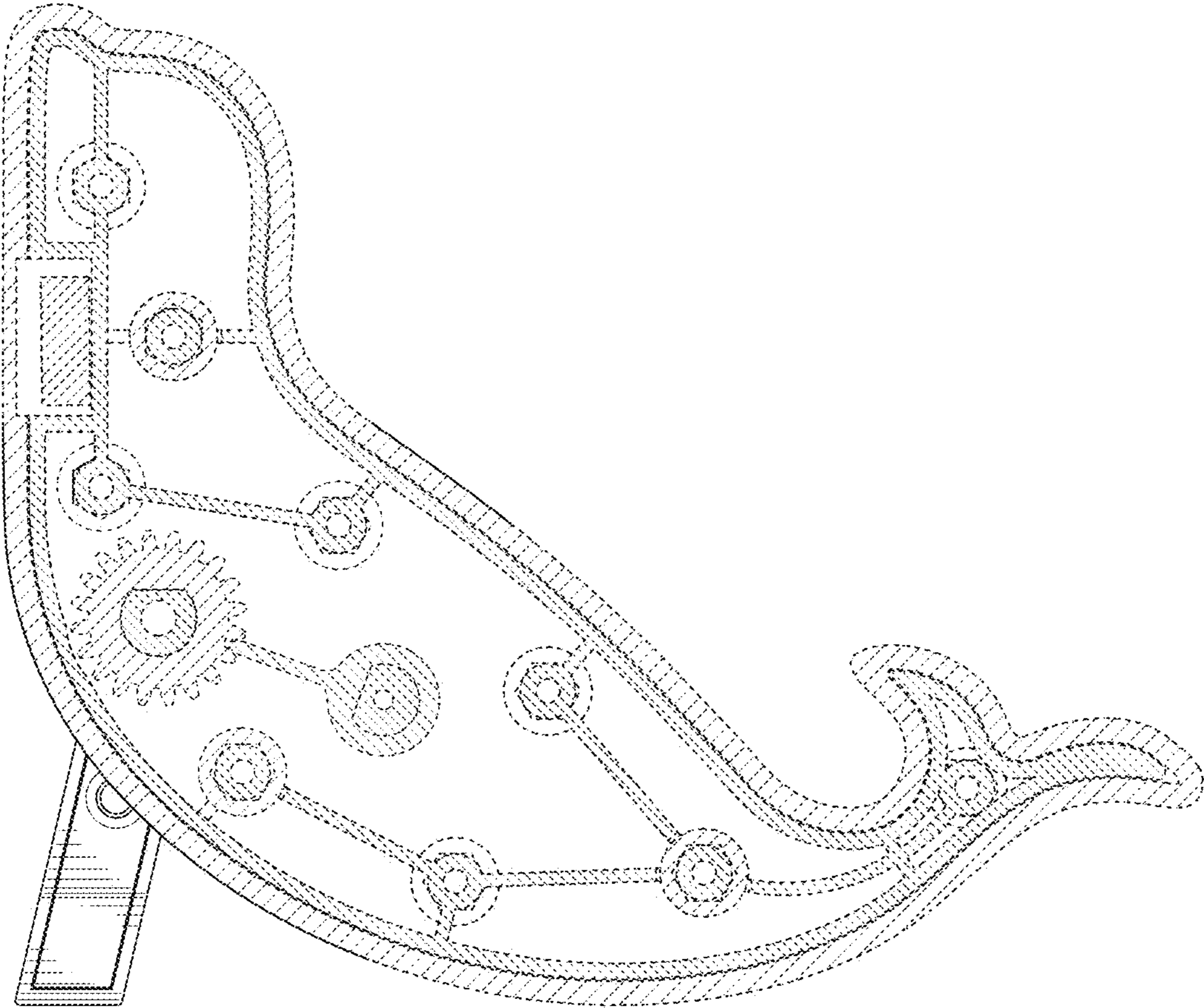


FIG. 8

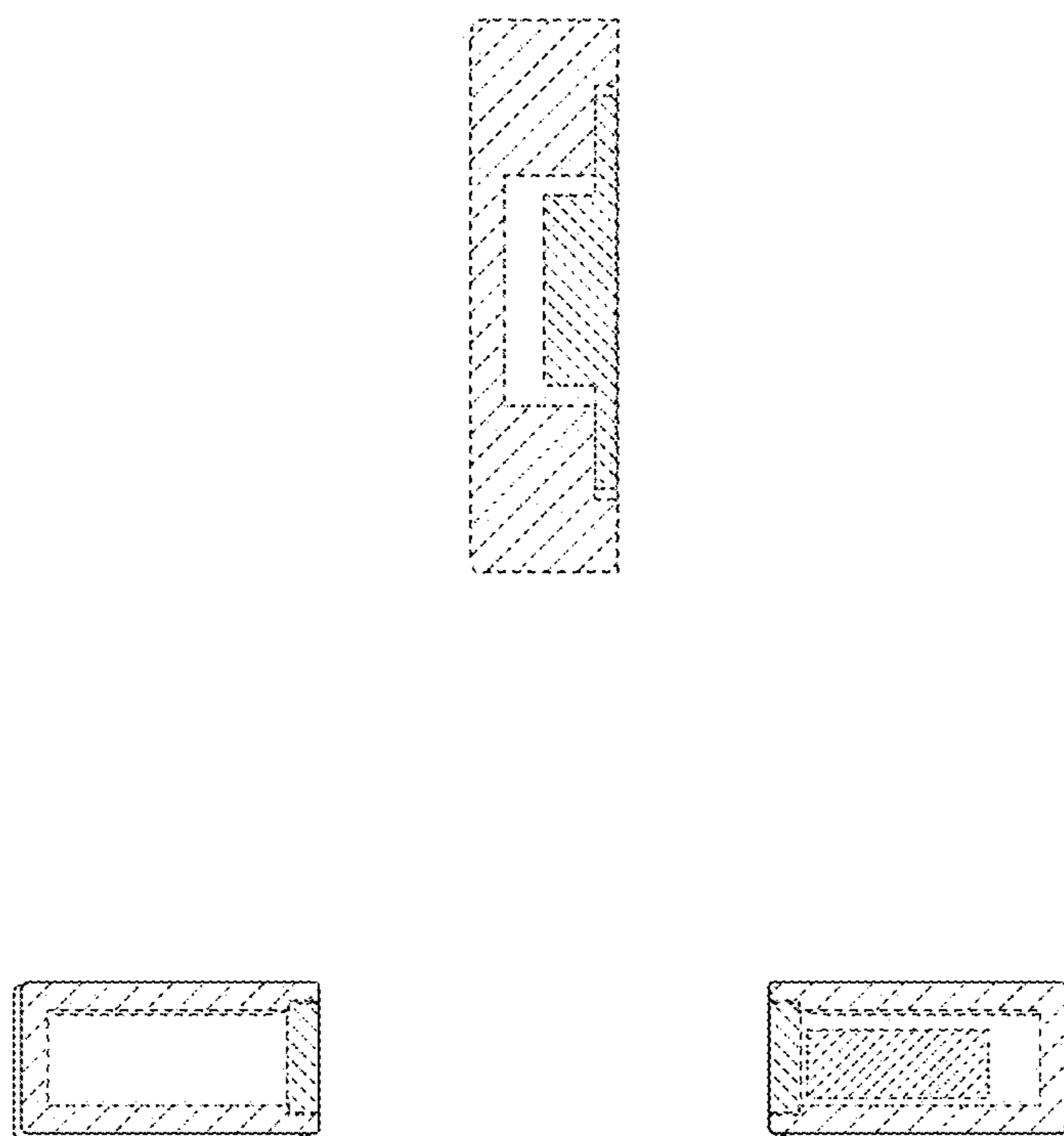


FIG. 9