



US00D952058S

(12) **United States Design Patent** (10) **Patent No.:** **US D952,058 S**
Sprowl et al. (45) **Date of Patent:** **** May 17, 2022**

(54) **MODEL VEHICLE BUMPER**

FOREIGN PATENT DOCUMENTS

(71) Applicant: **TRAXXAS, L.P.**, McKinney, TX (US)

CN 304466696 * 1/2018
CN 305108886 4/2019

(72) Inventors: **Jory Sprowl**, Honey Grove, TX (US);
Otto Karl Allmendinger, Rowlett, TX (US)

(Continued)

(73) Assignee: **TRAXXAS, L.P.**, McKinney, TX (US)

(**) Term: **15 Years**

(21) Appl. No.: **29/761,811**

(22) Filed: **Dec. 11, 2020**

(51) **LOC (13) Cl.** **21-01**

(52) **U.S. Cl.**
USPC **D21/561**

(58) **Field of Classification Search**

USPC D21/419, 424, 427, 428, 431, 433, 434,
D21/477, 483, 495, 533, 537, 539, 548,
D21/549, 550-554, 556-562; D12/163,
D12/164, 167, 172, 181
CPC B60R 19/02; B60R 19/44; B60R 19/48;
B60R 19/18; B60R 2019/522; A63H
17/262; B60G 15/067; B60G 2800/222;
B62D 43/10; B62D 21/183

See application file for complete search history.

Robatt, "Warn rock crawler front bumper on a 4RUNNER!!!" Oct. 14, 2009, yotatech.com, site visited Mar. 11, 2022, URL: <https://www.yotatech.com/forums/fl16/warn-rock-crawler-front-bumper-4runner-190663/> (Year: 2009).*

(Continued)

Primary Examiner — Eric L Goodman

Assistant Examiner — Sarah L Smith

(74) *Attorney, Agent, or Firm* — Daryl R. Wright; Greg Carr

OTHER PUBLICATIONS

(57) **CLAIM**

We claim the ornamental design for a model vehicle bumper, as shown and described.

DESCRIPTION

(56) **References Cited**

U.S. PATENT DOCUMENTS

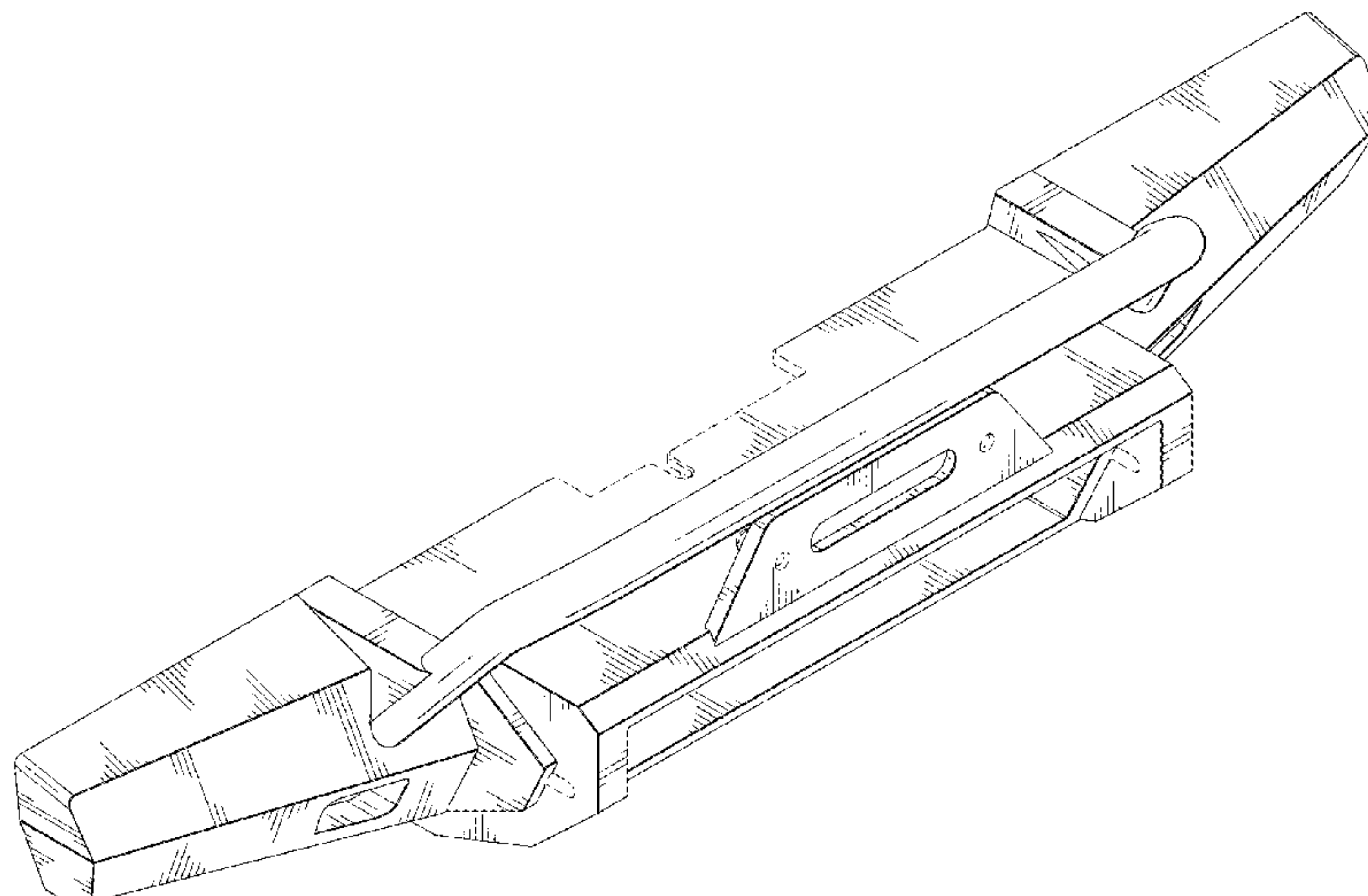
1,355,592 A 10/1920 De Graw
1,414,382 A 5/1922 Stafford
1,427,624 A 8/1922 Newton
1,448,504 A 3/1923 Plante
1,464,321 A 8/1923 Koester et al.
1,468,868 A 9/1923 Reichstetter, Jr. et al.
1,487,352 A 3/1924 Nelson
1,494,867 A 5/1924 Rahe
1,509,394 A 9/1924 Cox
1,534,760 A 4/1925 Blackmore
1,633,603 A 6/1927 Spencer
1,655,978 A 1/1928 Vella

(Continued)

FIG. 1 is an upper, right, front perspective view of a model vehicle bumper showing our new design;
FIG. 2 is a front elevation view thereof;
FIG. 3 is a rear elevation view thereof;
FIG. 4 is a left side elevation view thereof;
FIG. 5 is a right side elevation view thereof;
FIG. 6 is an upper plan view thereof;
FIG. 7 is a lower plan view thereof; and,
FIG. 8 is a lower, left, front perspective view of the model vehicle bumper.

In the drawings, the broken lines illustrate portions of the model vehicle bumper that form no part of the claimed design.

1 Claim, 5 Drawing Sheets



(56)

References Cited

U.S. PATENT DOCUMENTS

| | | | | | | | |
|-----------|----|-----------|---------------------------------------|----------|---|-----------|-----------------------|
| 1,729,731 | A | 10/1929 | Vidach | D691,074 | S | 10/2013 | Dugardin |
| 1,836,610 | A | 12/1931 | McMurdo | D697,842 | S | 1/2014 | Harriton |
| 1,867,708 | A | 7/1932 | Paton | D699,640 | S | 2/2014 | Duderstadt |
| 1,982,775 | A | 12/1934 | Williams | D704,107 | S | 5/2014 | Peltola et al. |
| 2,038,964 | A | 4/1936 | Smith | D713,305 | S | 9/2014 | Sperling et al. |
| 2,144,357 | A | 1/1939 | Booharin | D716,201 | S | 10/2014 | Ewing et al. |
| 2,146,642 | A | 2/1939 | Mueth | D722,927 | S | 2/2015 | Schroeder et al. |
| 2,227,560 | A | 1/1941 | Szabo | D726,605 | S | 4/2015 | Schroeder |
| 2,236,507 | A | 4/1941 | Kreits | D728,038 | S | 4/2015 | Ewing et al. |
| D160,661 | S | 12/1949 | Ross | D737,181 | S | 8/2015 | Smith et al. |
| 2,502,483 | A | 4/1950 | Sauer et al. | D737,724 | S | 9/2015 | Schroeder et al. |
| 2,604,349 | A | 7/1952 | Martinetz | D737,739 | S | 9/2015 | Hanson et al. |
| 3,547,469 | A | 12/1970 | Sancioni | D740,730 | S | 10/2015 | Peltola et al. |
| 3,663,048 | A | 5/1972 | Zimmerle | D741,233 | S | 10/2015 | Glover et al. |
| 3,689,054 | A | 9/1972 | Gouirand | D744,384 | S | 12/2015 | Harriton |
| D225,523 | S | 12/1972 | Nunn | D744,386 | S | 12/2015 | Harriton |
| 3,756,643 | A | 9/1973 | Weed | D744,387 | S | 12/2015 | Harriton |
| 3,774,948 | A | 11/1973 | Gouirand | D744,388 | S | 12/2015 | Harriton |
| 3,782,767 | A | 1/1974 | Moore | D749,021 | S | 2/2016 | Boniface et al. |
| 3,829,118 | A | 8/1974 | Gouirand | D749,995 | S | 2/2016 | Azadi et al. |
| 3,837,695 | A | 9/1974 | Haase et al. | D751,012 | S | * 3/2016 | Hare D12/171 |
| D234,194 | S | 1/1975 | Cline | D753,034 | S | 4/2016 | Thole et al. |
| 3,938,840 | A | 2/1976 | Haase et al. | D760,133 | S | 6/2016 | Bennett et al. |
| 3,971,583 | A | 7/1976 | Kornhauser | D761,166 | S | 7/2016 | Hare |
| D245,774 | S | 9/1977 | Norris | D763,745 | S | 8/2016 | Lee, IV et al. |
| 4,264,094 | A | 4/1981 | White et al. | D764,728 | S | 8/2016 | Choi et al. |
| D259,556 | S | 6/1981 | Norris | D764,729 | S | 8/2016 | Choi et al. |
| D259,557 | S | 6/1981 | Norris | D769,945 | S | 10/2016 | Serrurier et al. |
| D275,776 | S | 10/1984 | Horowitz et al. | D771,537 | S | 11/2016 | Hare |
| D300,128 | S | * 3/1989 | Brennan D12/169 | D775,013 | S | 12/2016 | Bennett et al. |
| 5,181,699 | A | 1/1993 | Chang | D775,016 | S | 12/2016 | Reynolds |
| 5,326,083 | A | 7/1994 | Wydra et al. | D775,032 | S | 12/2016 | Palmer et al. |
| D350,516 | S | 9/1994 | Hanson | D776,582 | S | 1/2017 | Bennett et al. |
| D360,865 | S | 8/1995 | Hanson | D777,618 | S | 1/2017 | Setina |
| D375,067 | S | * 10/1996 | Bronstein B60R 19/26 D12/169 | D777,619 | S | * 1/2017 | Barajas D12/171 |
| D403,023 | S | 12/1998 | Araki | D778,213 | S | 2/2017 | Platto et al. |
| 5,971,451 | A | 10/1999 | Huang | D778,784 | S | 2/2017 | Hirooka |
| D420,634 | S | 2/2000 | Nelson | D781,193 | S | 3/2017 | McMath |
| D420,962 | S | 2/2000 | Chevalier | D781,757 | S | 3/2017 | Baggett |
| D422,953 | S | 4/2000 | Waagenaar | D784,869 | S | 4/2017 | Yamamoto |
| D425,462 | S | 5/2000 | Ujje | D785,504 | S | 5/2017 | Higgs |
| D431,506 | S | 10/2000 | Runfola | D786,745 | S | 5/2017 | Zeng |
| D432,469 | S | 10/2000 | Nelson | D788,826 | S | 6/2017 | Serrurier et al. |
| 6,217,090 | B1 | 4/2001 | Berzinji | D789,258 | S | * 6/2017 | McMath D12/167 |
| D454,098 | S | 3/2002 | McGuinness | D790,600 | S | 6/2017 | Serrurier et al. |
| D454,099 | S | 3/2002 | McGuinness | D792,817 | S | * 7/2017 | McMath D12/171 |
| D454,817 | S | * 3/2002 | McGuinness D12/171 | D792,818 | S | * 7/2017 | McMath D12/171 |
| D455,684 | S | * 4/2002 | McGuinness D12/171 | D793,304 | S | * 8/2017 | McMath D12/171 |
| D455,988 | S | 4/2002 | McGuinness | D794,519 | S | * 8/2017 | McMath D12/171 |
| D460,499 | S | 7/2002 | Wu | D796,399 | S | 9/2017 | Steen |
| D462,401 | S | 9/2002 | Wu | D800,028 | S | 10/2017 | Baggett |
| D462,727 | S | 9/2002 | Wu | D800,036 | S | 10/2017 | Bennett et al. |
| D464,087 | S | 10/2002 | Wu | D800,226 | S | 10/2017 | Zeng |
| D476,606 | S | 7/2003 | Hamm et al. | D801,892 | S | 11/2017 | Drever |
| D485,219 | S | 1/2004 | Hamm et al. | D810,626 | S | 2/2018 | Macey et al. |
| D487,038 | S | 2/2004 | Chan | D811,956 | S | 3/2018 | Zeng |
| D502,433 | S | 3/2005 | McClanahan | D814,984 | S | * 4/2018 | Wymore D12/167 |
| D506,421 | S | * 6/2005 | Newbill D12/169 | D821,275 | S | 6/2018 | Eck et al. |
| D521,572 | S | 5/2006 | Yuen | D823,750 | S | 7/2018 | Schulzetenberg et al. |
| 7,097,222 | B2 | 8/2006 | Ran | D825,385 | S | 8/2018 | Ma |
| D527,696 | S | 9/2006 | Ichikawa et al. | D826,115 | S | 8/2018 | Chi |
| D532,348 | S | 11/2006 | Kudo et al. | D826,116 | S | 8/2018 | DiCanzio |
| D533,606 | S | 12/2006 | Kaminski | D827,054 | S | 8/2018 | Ewing et al. |
| D534,593 | S | 1/2007 | Yuen | D827,055 | S | * 8/2018 | Barajas D21/561 |
| D565,484 | S | 4/2008 | Johnson et al. | D828,223 | S | 9/2018 | Piscitelli |
| D577,083 | S | 9/2008 | Nakayama | D830,919 | S | 10/2018 | Zeng |
| D580,322 | S | 11/2008 | Schroeder et al. | D832,161 | S | 10/2018 | Kobayashi |
| D590,752 | S | 4/2009 | Williams et al. | D832,368 | S | * 10/2018 | Barajas D21/561 |
| D593,616 | S | 6/2009 | Asai | D833,922 | S | 11/2018 | DiCanzio |
| D606,913 | S | 12/2009 | Robertson | D845,844 | S | 4/2019 | Langhals et al. |
| 7,703,834 | B1 | 4/2010 | Hardy et al. | D845,845 | S | 4/2019 | Goodrich et al. |
| D636,305 | S | 4/2011 | Alvarez et al. | D845,846 | S | 4/2019 | Goodrich et al. |
| D642,099 | S | 7/2011 | Nagao et al. | D845,847 | S | 4/2019 | Piscitelli et al. |
| D683,281 | S | 5/2013 | Harriton | D846,460 | S | 4/2019 | Goodrich et al. |
| | | | | D846,461 | S | 4/2019 | Piscitelli et al. |
| | | | | D846,462 | S | 4/2019 | DiCanzio |
| | | | | D847,051 | S | 4/2019 | DiCanzio |
| | | | | D847,709 | S | 5/2019 | Neal |
| | | | | D850,334 | S | 6/2019 | DiCanzio |

(56)

References Cited

U.S. PATENT DOCUMENTS

D860,881 S 9/2019 Ninov et al.
 D864,806 S * 10/2019 Wood D12/171
 D870,615 S 12/2019 Wood
 D873,729 S 1/2020 Rolfs et al.
 D873,730 S 1/2020 Goodrich et al.
 D873,731 S 1/2020 Goodrich et al.
 D873,734 S 1/2020 Goodrich et al.
 D874,998 S 2/2020 Zhang
 D874,999 S 2/2020 Ewing et al.
 D877,003 S 3/2020 Izard
 D877,670 S * 3/2020 Moctezuma D12/171
 D878,976 S 3/2020 Goodrich et al.
 D878,978 S 3/2020 Li
 D880,381 S 4/2020 DiCanzio
 D887,328 S 6/2020 Lee
 D889,332 S 7/2020 Chi
 D890,036 S * 7/2020 Marshall D12/169
 D891,330 S 7/2020 Lenz, Jr.
 D893,366 S 8/2020 Dewitt et al.
 D894,802 S 9/2020 Grand
 D894,803 S 9/2020 DiCanzio
 D896,139 S 9/2020 Williams
 D904,244 S 12/2020 Wood et al.
 D908,177 S 1/2021 Jory et al.
 D908,561 S 1/2021 Harriton et al.
 D908,562 S 1/2021 David et al.
 D909,918 S 2/2021 Langhals et al.
 D910,493 S 2/2021 Langhals et al.
 D910,507 S * 2/2021 Bennett D12/169
 D918,802 S 5/2021 Huang
 D918,803 S * 5/2021 Wood B60R 3/02
 D12/171
 D919,516 S 5/2021 Chi
 D920,194 S 5/2021 Mallicote et al.
 11,014,517 B2 * 5/2021 Hatch B60R 3/02
 D923,111 S * 6/2021 Wood D21/561
 D923,112 S 6/2021 Hagler et al.
 D923,113 S 6/2021 Hagler et al.
 D937,146 S 11/2021 Kaoud et al.
 D940,015 S * 1/2022 Sprowl A63H 27/12
 D12/169
 2006/0021188 A1 2/2006 Lee
 2006/0192398 A1 8/2006 Buniewicz et al.
 2006/0261613 A1 11/2006 Byers et al.
 2009/0212581 A1 8/2009 Drever
 2009/0302623 A1 12/2009 Finney
 2013/0187395 A1 7/2013 Hanson et al.
 2013/0257070 A1 * 10/2013 Ebara B60R 19/26
 293/132
 2017/0088076 A1 * 3/2017 Fujimoto B60R 19/12
 2017/0247014 A1 8/2017 Farooq et al.
 2017/0349227 A1 12/2017 Spindler et al.
 2018/0072254 A1 3/2018 Wymore
 2019/0337476 A1 11/2019 Hare et al.
 2021/0046395 A1 * 2/2021 Allmendinger A63H 27/12

FOREIGN PATENT DOCUMENTS

DE 402017100863-0007 * 7/2018
 EM 008468474-0002 3/2021
 TW D147600 S 6/2012
 TW D154920 S 7/2013
 TW D163365 S 10/2014
 TW D168397 S 6/2015
 TW D169825 S 8/2015
 WO 2007056481 A2 5/2007

OTHER PUBLICATIONS

“Tags,” Feb. 2, 2017, pxhere.com, site visited Mar. 11, 2022, URL: <https://pxhere.com/en/photo/601400> (Year: 2017).
 “That new new,” Nov. 20, 2019, facebook.com, site visited Nov. 20, 2019, URL: <https://www.facebook.com/traxxas/photos/2589499214431423> (Year: 2019).*

“RC Front Bumper,” Aug. 28, 2019, amazon.com, site visited Mar. 11, 2022, URL: [https://www.amazon.com/Aluminum-Traxxas-Crawler-Large-Size-Heavy-Metal/dp/B07X42VJNY/\(Year:2019\).](https://www.amazon.com/Aluminum-Traxxas-Crawler-Large-Size-Heavy-Metal/dp/B07X42VJNY/(Year:2019).)*
 “Wide World of TRX-4 Sports: Part 2,” Oct. 28, 2020, facebook.com, site visited Mar. 11, 2022, URL: <https://www.facebook.com/traxxas/photos/3475502935831042> (Year: 2020).
 “Wake up & find your adventure!” Sep. 26, 2020, facebook.com, site visited Mar. 11, 2022, URL: <https://www.facebook.com/traxxas/photos/3378456638869006> (Year: 2020).
 Bull Bars. (Design—© Questel) orbit.com. [Online PDF compilation of references] 16 pgs. Print Dates Range Oct. 8, 2019-Apr. 14, 2005 [Retrieved Jun. 4, 2021].
 “4 PCS ZD Racing 8481 Front Bumper Set.” Before Jul. 21, 2019. Banggood. https://www.banggood.com/4PCS-ZD-Racing-8481-Front-Bumper-Set-for-9116-08427-9021-V3-1-or-8-RC-Car-Parts-p-1528272.html?cur_warehouse=CN (Year: 2019).
 Onorato, Paul. “3 Must-See Pro-Line Traxxas Slash Builds that Anyone Can Do!” Apr. 29, 2019. RC Driver <https://www.rcdriver.com/3-must-see-pro-line-traxxas-slash-builds-that-anyone-can-do/> (Year: 2019).
 “Traxxas Trx4 Aluminum Front Bumper (GPM Racing Product) Adding Extra Weight to the Front—RC Overdose.” Jan. 31, 2018. YouTube. https://www.youtube.com/watch?v=_wui5f_k1eY (Year: 2018).
 Traxxas LP; The New Traxxas Summit 16.8 V Electric Extreme Terrain Monster Truck; Traxxas Press Release Oct. 16, 2008.
 Summit E-REVO Crawler SP08503 front bumper; Oct. 16, 2008.
 “How Do I Add a Ball Hitch to my RPM Rear Bumper (T/E-Maxx & Revo Bumpers)?” RPM, Jul. 30, 2005 [online], [retrieved on Sep. 12, 1996]. Retrieved from the internet, URL: <http://www.rpmrcproducts.com/faq/add-ball-hitch-rpm-rear-bumper-te-maxx-revo-bumpers/>.
 “Warn 87750 Elite Series Front Bumper with Grill Guard Tube” RPM, Jul. 17, 2013 [online], [retrieved on Sep. 12, 2016]. Retrieved from Internet, URL: https://www.amazon.com/gp/product/B00625F4FI/ref=pd_sim_263_5?ie=UTF8&pd_rd_i=B00625F4FI&pd_rd_r=QN6NZ5WV34ZS00Z3BSGH&pd_rd_w=4XjJD&pd_rd_wg=7Z80V&psc=1&refRID=QN6NZ5WV34ZS0.
 “Yeah Racing F/R Bumper w/ HD Shackie & LED’s—SCX10, Traxxas.” RC Hobbies, Nov. 12, 2014 [online], [retrieved on Sep. 12, 2016]. Retrieved from the Internet <URL: http://rchoobbies.com.au/store/product_info.php?products_id=80405>.
 Taiwan IPO Search Report; Taiwan Design Patent App No. 105301434; Aug. 4, 2016.
 Associated Electrics; “Catalog and Parts Listing for the Monster GT Truck”; 2003; Associated Electrics, Inc., Costa Mesa, California.
 Horizon Hobby; “Team Losi LST Super Truck—Drive Train Assy” exploded view; Horizon Hobby, Inc., Champaign, Illinois.
 HPI Racing, “Savage 21 4WD Giant Monster Truck” p. 56 exploded view; Hobby Products International, Foothill Ranch, California.
 Tamiya, “Terra Crusher Parts Breakdown—Front End”; Tamiya America, Inc., Aliso Viejo, California.
 Tamiya, “Wild Willy 2 Parts Breakdown”; 1999, Tamiya America, Inc., Aliso Viejo, California.
 Tamiya, “Wild Willy”; Tamiya America, Inc., Aliso Viejo, California; 1 photograph.
 Traxxas, “T-Maxx Assemblies—Front Assembly”; Traxxas LP, Plano, Texas.
 Axial SCX10 II 2000 Jeep Cherokee; <http://www.axialracing.com/products/ax90047>; Aug. 2016.
 Axial SCX 10 Deadbolt; <http://www.axialracing.com/products/ax90044>; Aug. 2016.
 Traxxas; Bumper support geometry, body mounts, body mount posts; <https://traxxas.com/products/parts/3619>; Oct. 2016.
 Sema 2015 Fab Fours; 2 photos.
 PL6088-00 Front Proline Ridge-Line Bumper (Smal), Earliest Available Date May 2, 2019 [Online], [Site Visited Oct. 20, 2020] Available From Internet, URL: <https://www.ebay.com/itm/PL6088-00-Front-PROLINE-RIDGE-LINE-BUMPER-SMAL-SET-VOOR-NARROW-ROCK-CRAWLING-/153425968229?_trksid=p2385738.m4383.14275.c10> (Year: 2019).
 Traxxas TRX-4 Winch Front Bumper, Earliest Available Date May 22, 2019 [Online], [Site Visited Oct. 20, 2020] Available From

(56)

References Cited

OTHER PUBLICATIONS

Internet, URL: <https://www.amainhobbies.com/traxxas-trx-4-winch-front-bumper-tra8124/p779826?gclid=EAIalQobChMI0aymroXE7AIVD02GCh0ntA-WEAQYBSABEgJl5_D_BwE> (Year: 2019).

TF2 Mojave ARB-DELUXE Metal Front Bumper Assembly, Earliest Available Date Oct. 22, 2020 [Online], [Site Visited Oct. 22, 2020] Available From Internet, URL: <<https://www.aliexpress.com/i/4000118857581.html>> (Year: 2020).

Traxxas 5834 Front Bumper Mount Front Adapter 2WD Slash 4x4, Earliest Available Date Jul. 15, 2020 [Online], [Site Visited Oct. 22, 2020] Available From Internet, URL: <https://www.ebay.com/itm/Traxxas-5834-Front-Bumper-Mount-Front-Adapter-2WD-Slash-4x4-/174332832512?_trksid=p2385738.m4383.l4275.c10> (Year: 2020).

Traxxas TRA6736 Bumper, Front/ Bumper Support, Earliest Available Date Oct. 22, 2020 [Online], [Site Visited Oct. 22, 2020] Available From Internet, URL: <<https://amazon.com/Traxxas-TRA6736-Bumper-Front-Support/dp/B07HJF56V1#customerReviews>> (Year: 2020).

Bumper, Rear, Traxxas 9036, available on hobby-time.com, original text Aug. 29, 2020, [site visited Jan. 24, 2022], URL: https://www.hobby-time.com/index.php?main_page=product_info&products_id=69348 (Year:2020).

Traxxas Hoss Rear Bumper, available on hobbytown.com, product added to catalog Feb. 17, 2021, [site visited Nov. 24, 2022], URL: <https://www.hobbytown.com/traxxas-hoss-rear-bumper-tra9036/p1253531> (Year: 2021).

Traxxas 9036 Bumper, available on Amazon.com, [site visited Jan. 24, 2022], URL: <https://www.amazon.com/Traxxas-9036-Bumper-Mount-Support/dp/B08FP5CSYG/> (Year: 2022).

Bumper, rear (#9036), available on traxxas.com, [site visited Jan. 24, 2022], URL: <https://traxxas.com/products/parts/9097> (Year: 2022).

Hoss 4x4 LED Light Kit, available on traxxas.com, [site visited Jan. 24, 2022], URL: <https://traxxas.com/products/parts/9095-hoss-4x4-light-kit> (Year: 2022).

Traxxas 8936 Bumper, available on Amazon.com, [site visited Jan. 24, 2022], URL: <https://www.amazon.com/Traxxas-8936-Bumper-Rear/dp/B081LMYSNT/> (Year: 2022).

RPM Wide Front Bumper Black Rustler, available on amazon.com, date first available Jun. 21, 2007, [site visited Jan. 24, 2022], URL: <https://www.amazon.com/RPM-Bumper-Rustler-Stampede-Bandit/dp/B000607RR4/> (Year: 2007).

Axial SCX10 III, available on amainhobbies.com, added to catalog Apr. 8, 2020, [site visited Jan. 24, 2022], URL: <https://www.amainhobbies.com/axial-scx10-iii-crc-jeep-jlu-bumper-set-axi230018/p1204845> (Year: 2020).

Traxxas 8990 Complete Waterproof LED Light Bar Kit, Nov. 14, 2019, amazon.com, Dec. 15, 2021, URL: <https://www.amazon.com/Traxxas-8990-LED-Light-Kit/dp/B07YGR7GLT> (Year: 2019).

Traxxas7735X-Maxx Front Bumper, Jan. 5, 2016, amazon.com, Dec. 15, 2021, URL: <https://www.amazon.com/Traxxas-7735-X-Maxx-Front-Bumper/dp/B01A6Z06HU/> (Year: 2016).

“That new new,” Nov. 20, 2019, facebook.com, site visited Nov. 20, 2019, URL: (possible 102 or 103) <https://www.facebook.com/traxxas/photos/2589499214431423> (Year: 2019).

* cited by examiner

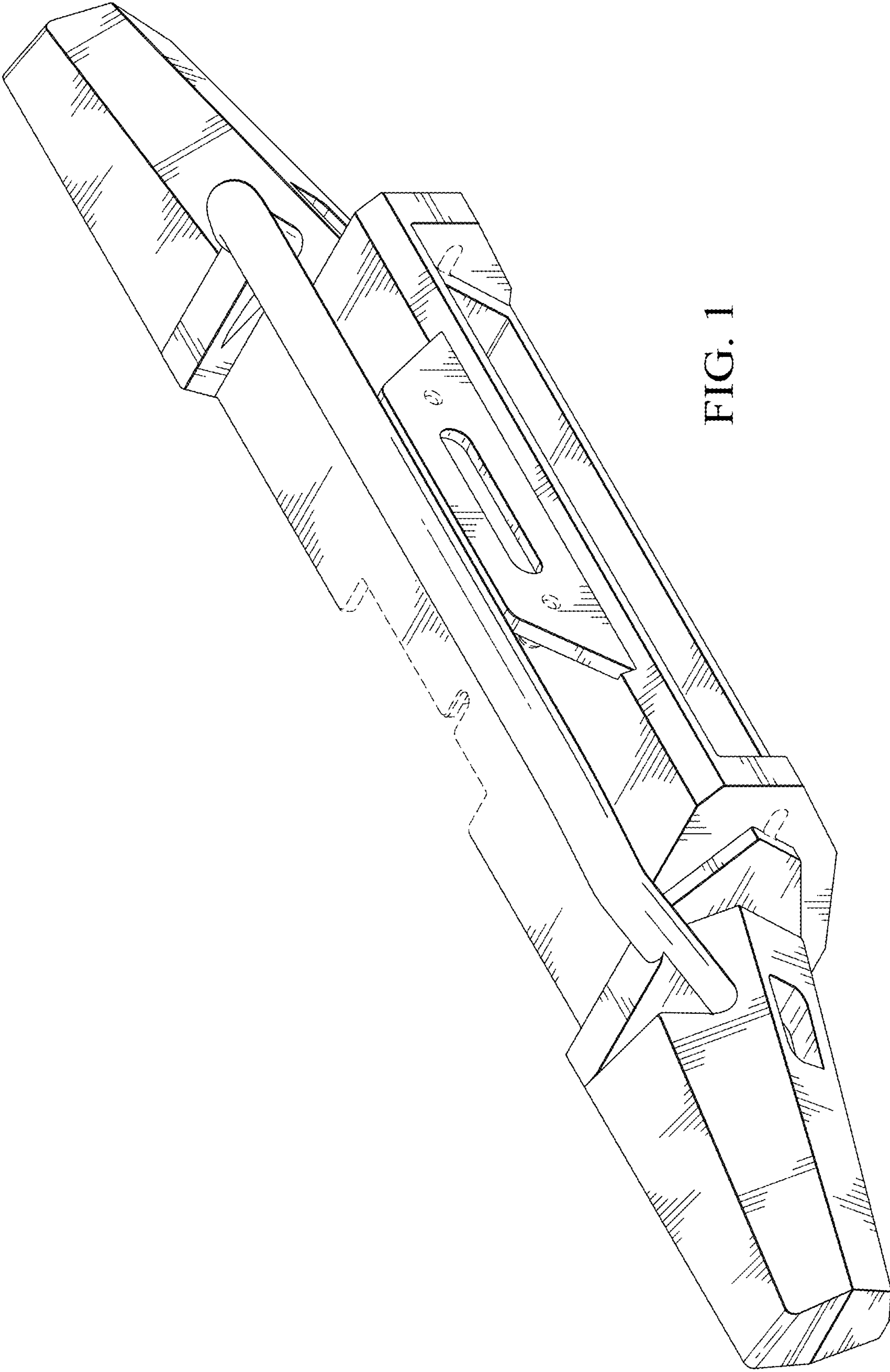


FIG. 1

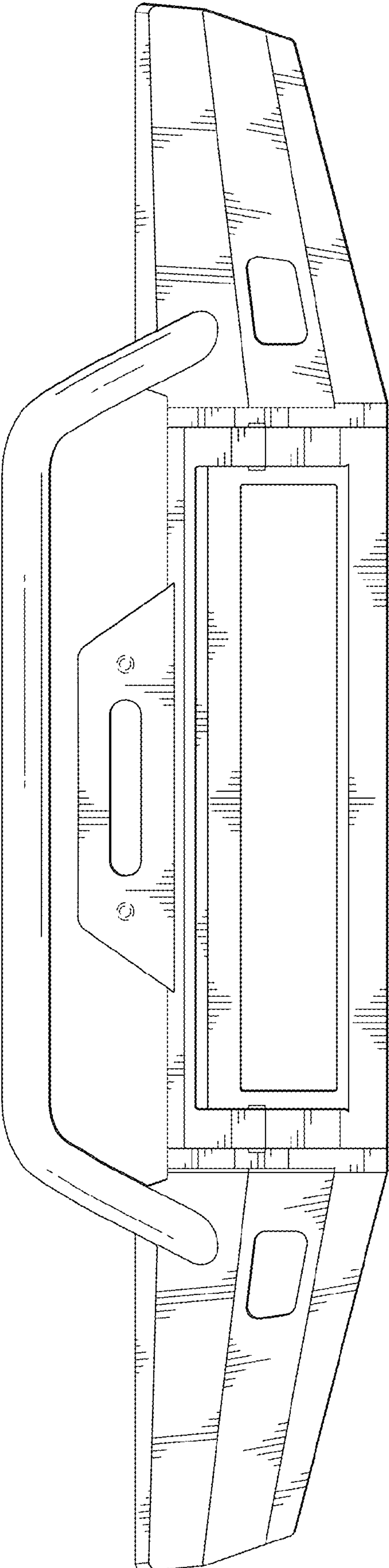


FIG. 2

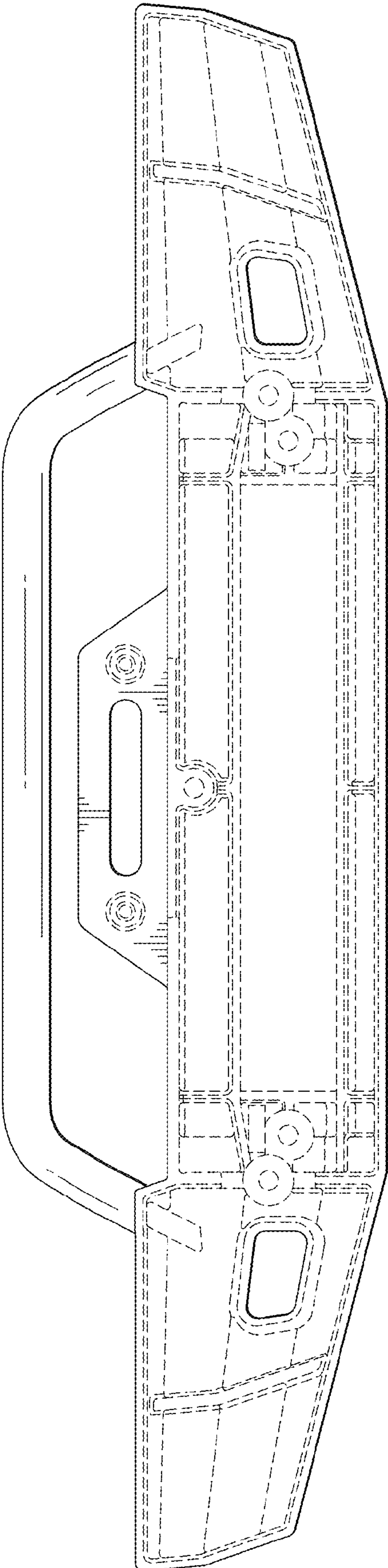


FIG. 3

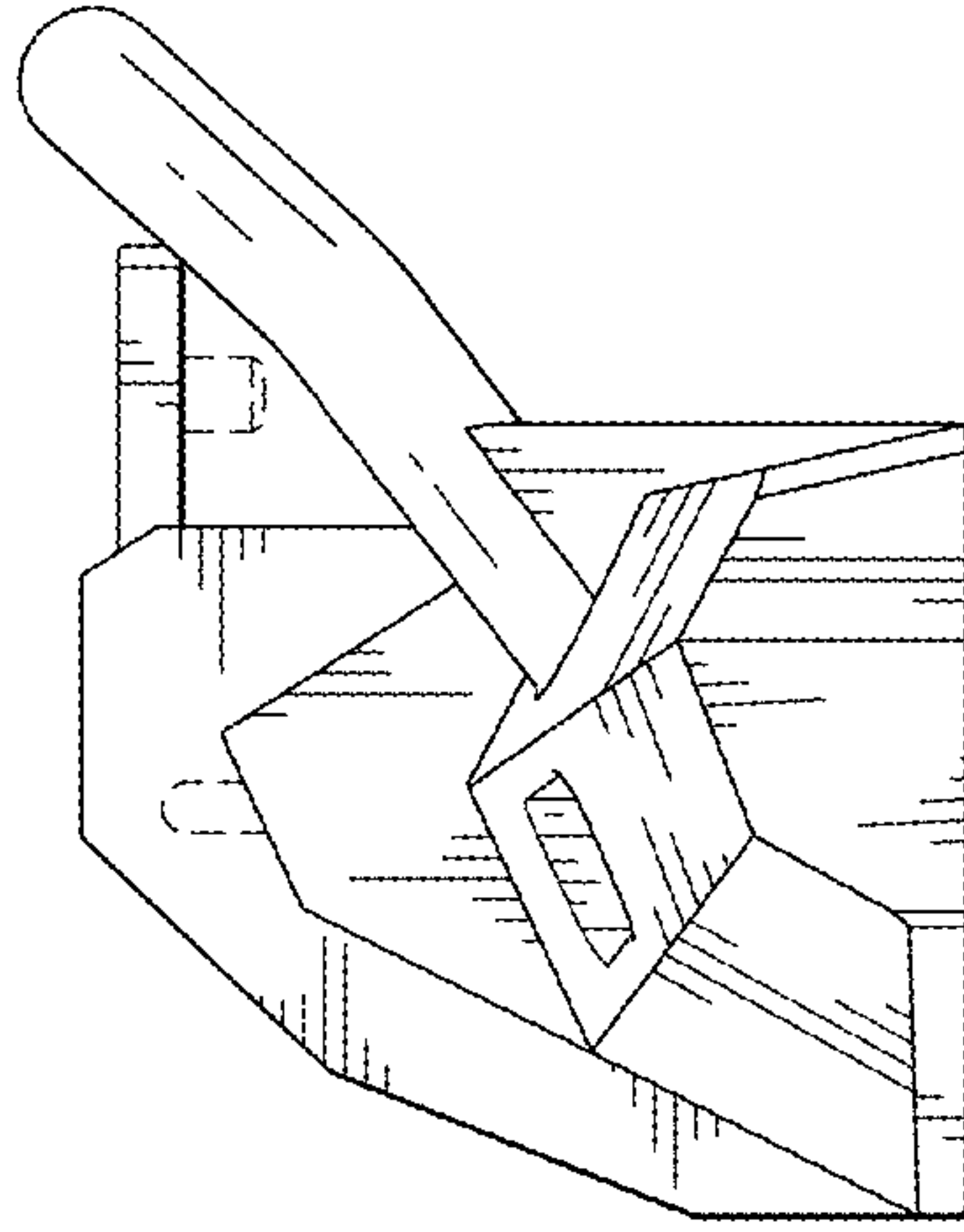


FIG. 4

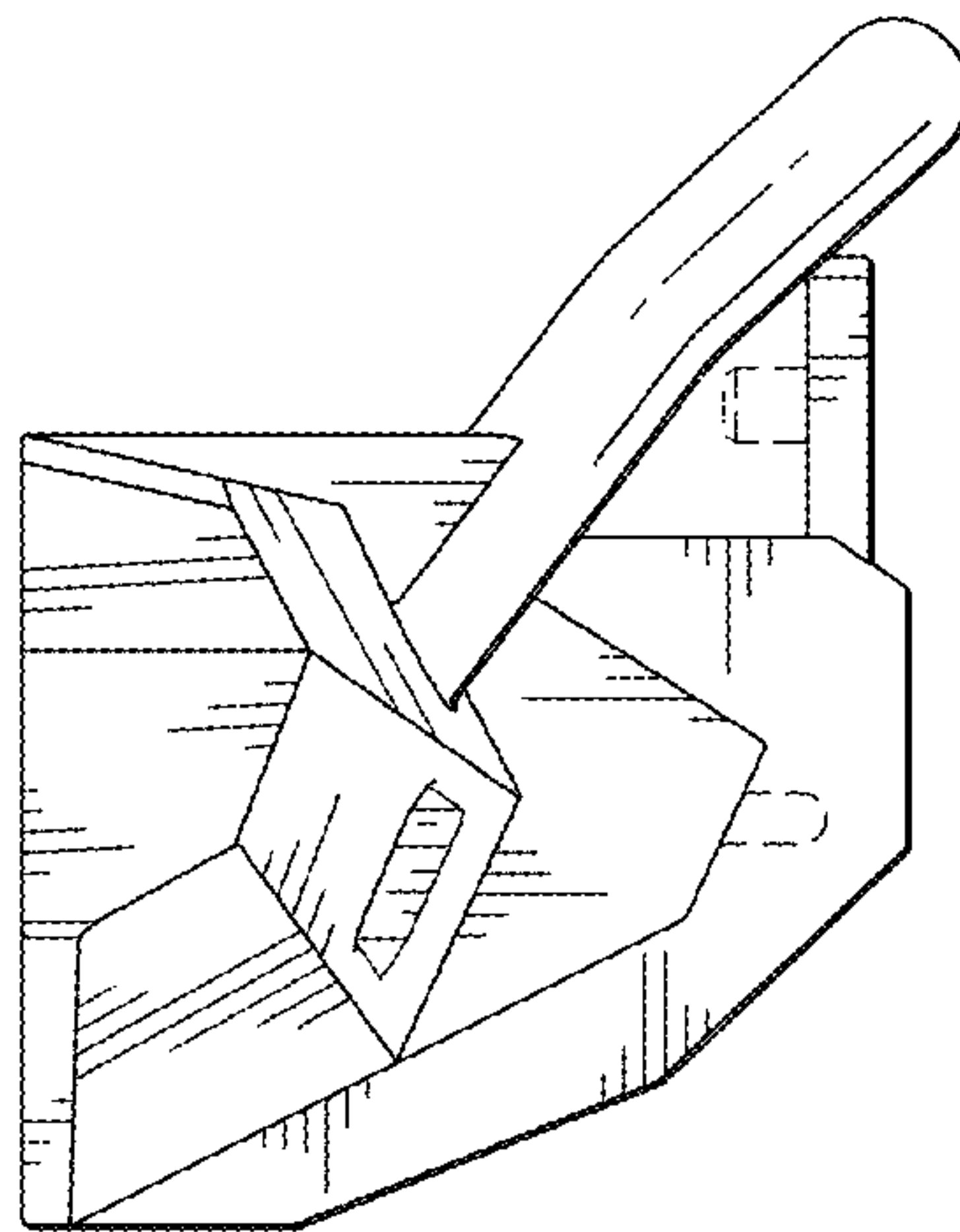


FIG. 5

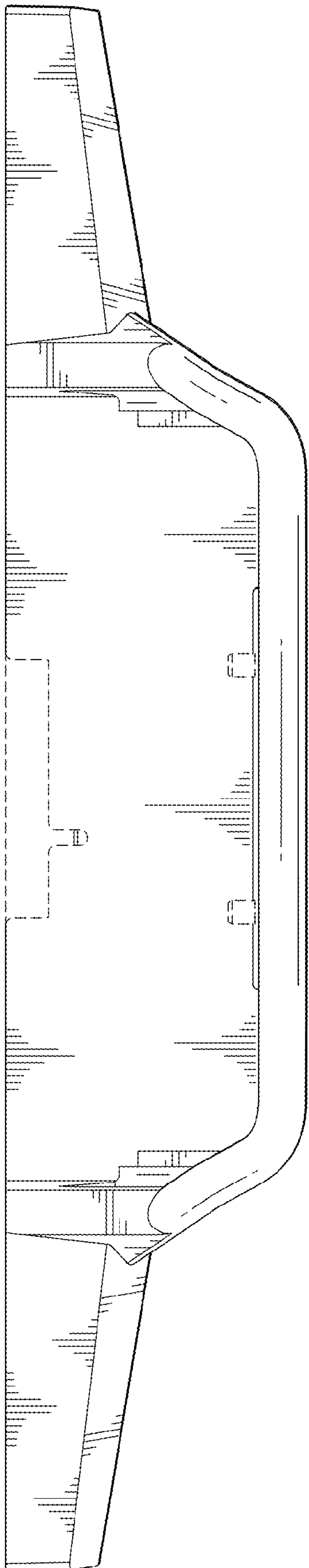


FIG. 6

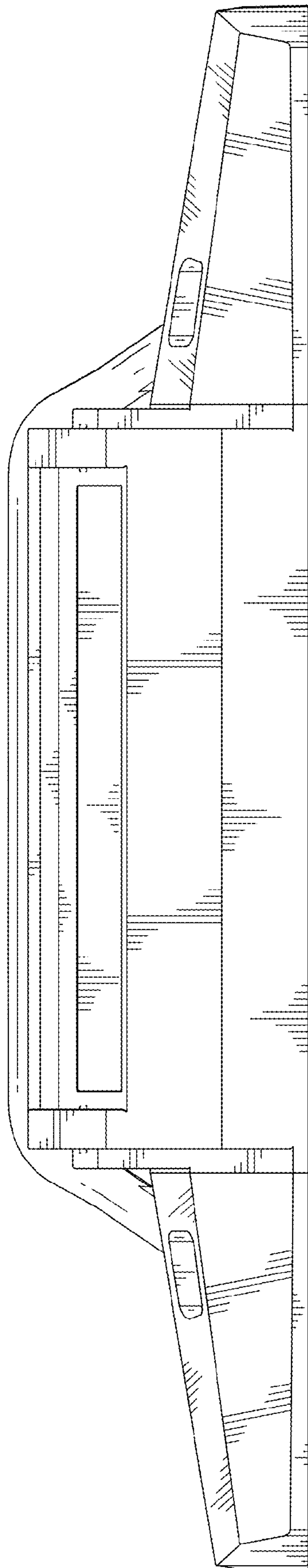


FIG. 7

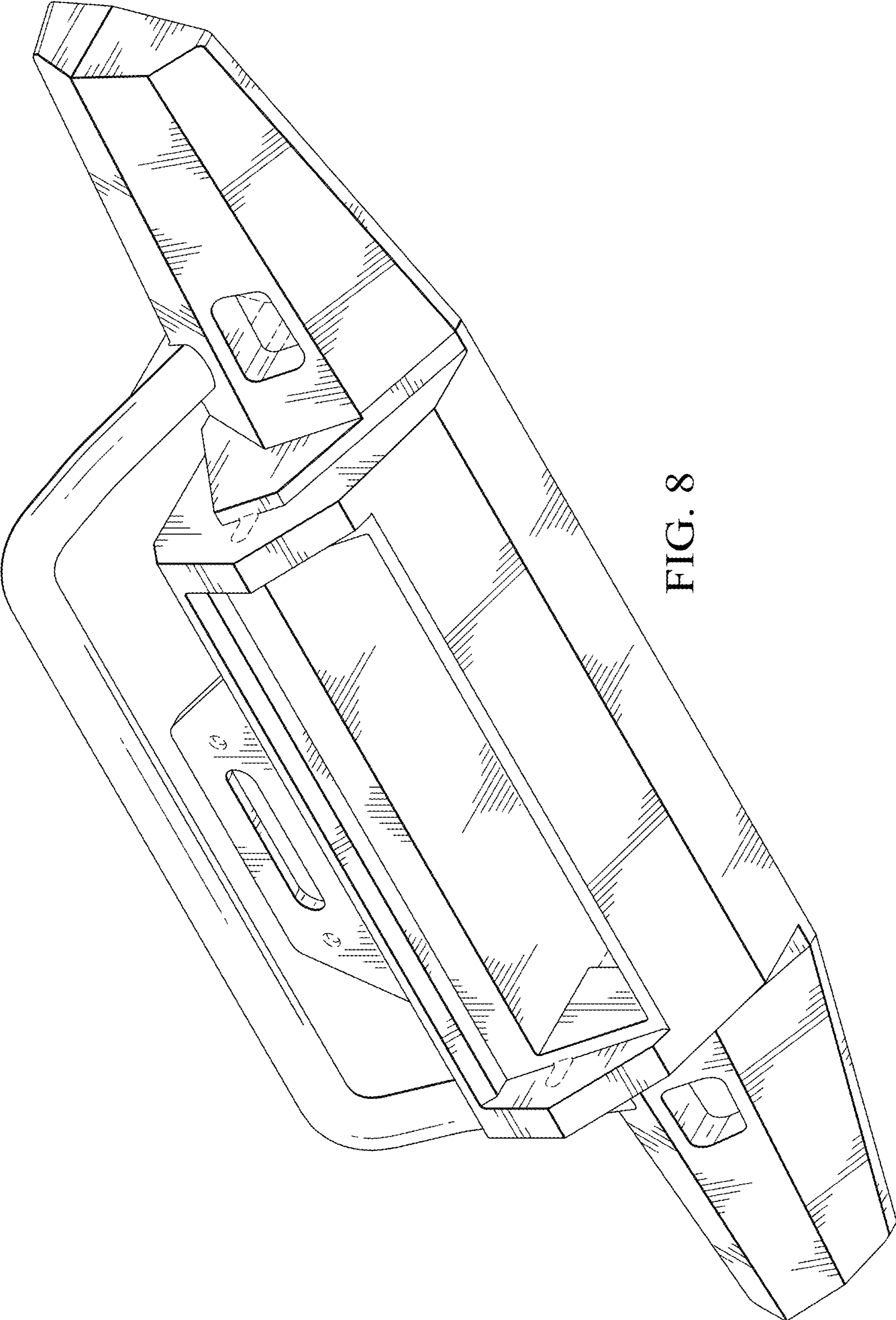


FIG. 8