



US00D952056S

(12) **United States Design Patent** (10) **Patent No.:** **US D952,056 S**
Xu (45) **Date of Patent:** **** May 17, 2022**

(54) **TOY MONSTER CAR** 8,342,904 B2 * 1/2013 Torres A63H 17/262
446/448
(71) Applicant: **SHANTOU CITY CHENGHAI** D741,416 S * 10/2015 Barajas D21/562
JINGWEI INDUSTRIAL CO., LTD., D741,956 S * 10/2015 Barajas D21/562
Shantou (CN) D819,754 S * 6/2018 Gillenwater D21/590
D870,209 S 12/2019 Chen
D870,823 S 12/2019 Manzoni
D888,164 S 6/2020 Hu

(**) Term: **15 Years**

(21) Appl. No.: **29/785,479**

(22) Filed: **May 26, 2021**

(30) **Foreign Application Priority Data**

May 8, 2021 (CN) 202130272515.8

(51) **LOC (13) Cl.** **21-01**

(52) **U.S. Cl.**
USPC **D21/560; D21/548**

(58) **Field of Classification Search**
USPC D21/424, 427, 428, 433, 434, 533, 548,
D21/549, 550, 552, 559, 560, 561, 562,
D21/615
CPC A63H 17/00; A63H 17/004; A63H 17/05;
A63H 17/06; A63H 17/262
See application file for complete search history.

(56) **References Cited**

U.S. PATENT DOCUMENTS

4,568,307 A * 2/1986 Gabler A63H 7/06
446/466
D317,486 S * 6/1991 Fujinami D21/550
D318,924 S * 8/1991 Yoshino D21/550
5,334,078 A * 8/1994 Hippely A63H 17/26
446/470
D508,968 S * 8/2005 Carruth D21/627
D509,860 S * 9/2005 Carruth D21/627
D519,578 S * 4/2006 Carruth D21/615
7,387,558 B2 * 6/2008 Swisher A63H 17/02
446/470

OTHER PUBLICATIONS

Hot Wheels Die-cast 1:24 scale Monster Trucks with Giant Wheels, Amazon Release date Apr. 10, 2019 [online], [site visited Jan. 27, 2022]. Available from Internet: <URL:https://www.amazon.com/Hot-Wheels-Mega-Monster-Truck/dp/B07GB672NC/> (Year: 2019).*
HT Honor . Trust Dinosaur Monster Trucks, Reviewed on Amazon and online as early as Dec. 17, 2019 [online], [site visited Jan. 27, 2022]. Available from Internet: <URL:https://www.amazon.com/Dinosaur-Monster-Toys-3-5%EF%BC%8CPull-Christmas/dp/B07WDCYSRF/> (Year: 2019).*

* cited by examiner

Primary Examiner — Cynthia M. Chin

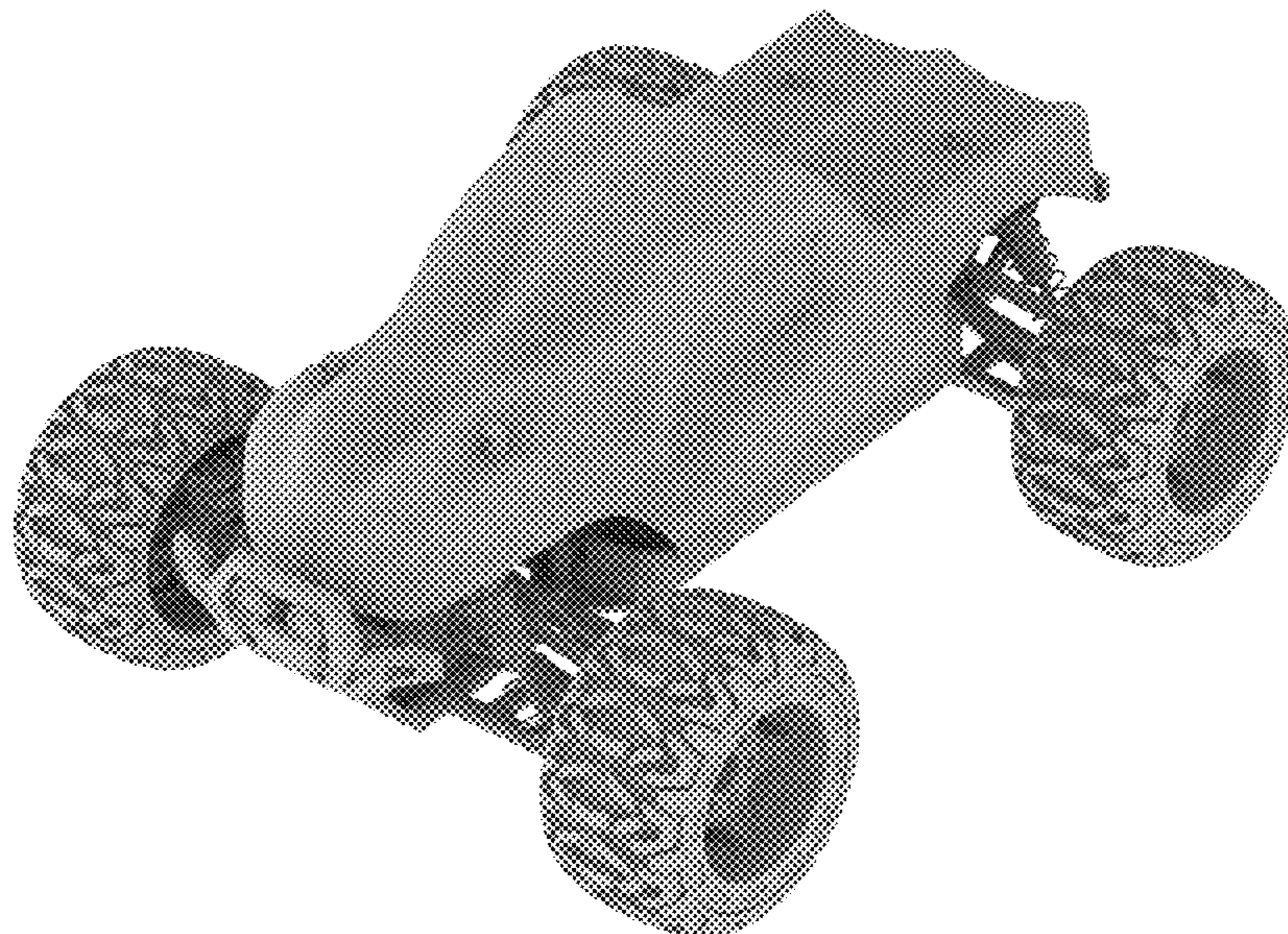
(57) **CLAIM**

The ornamental design for a toy monster car, as shown and described.

DESCRIPTION

FIG. 1 is a first perspective view of a toy monster car showing my new design;
FIG. 2 is a second perspective view thereof;
FIG. 3 is a front view thereof;
FIG. 4 is a back view thereof;
FIG. 5 is a left side view thereof;
FIG. 6 is a right side view thereof;
FIG. 7 is a top view thereof; and,
FIG. 8 is a bottom view thereof.

1 Claim, 8 Drawing Sheets



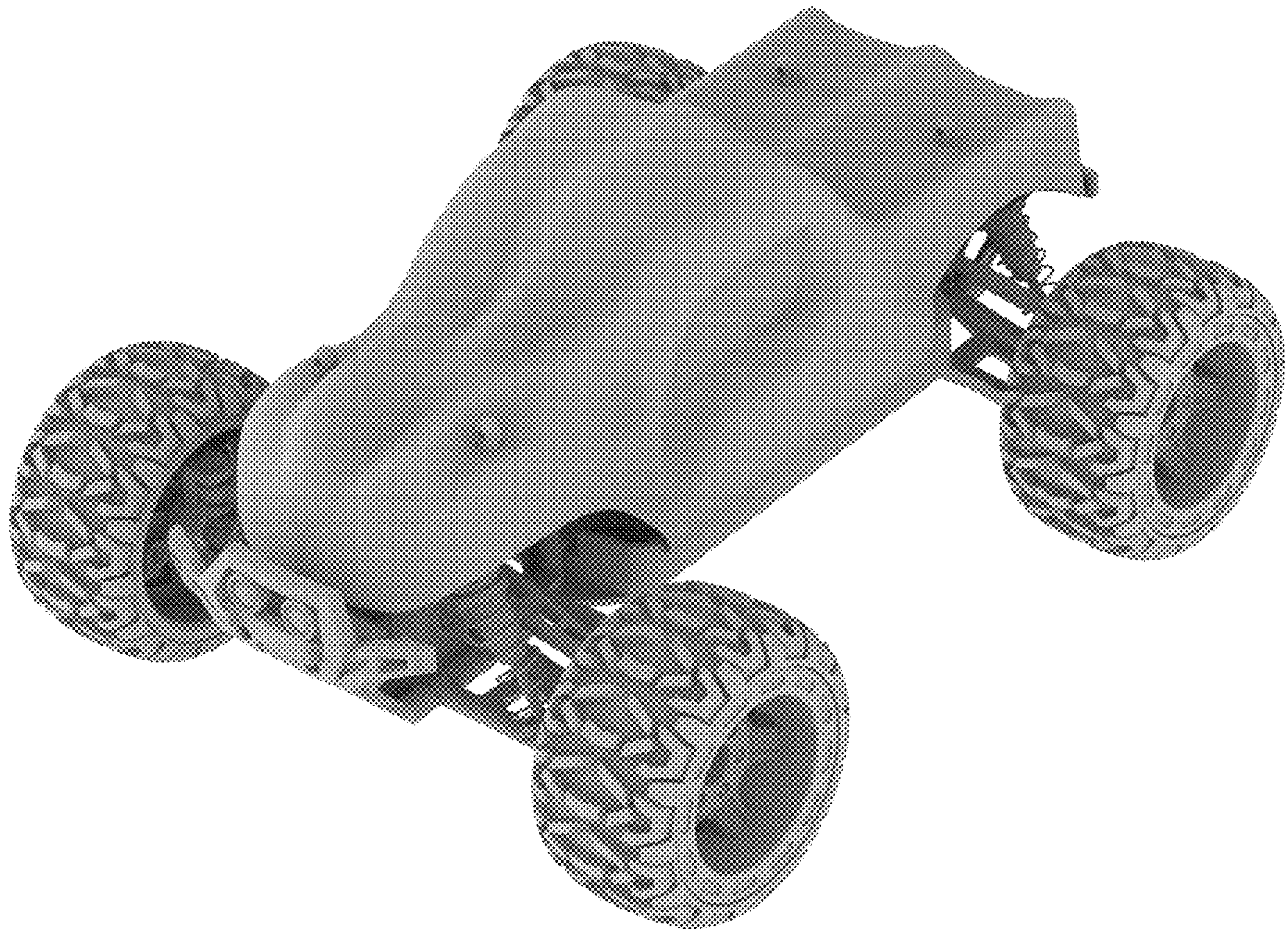


FIG. 1

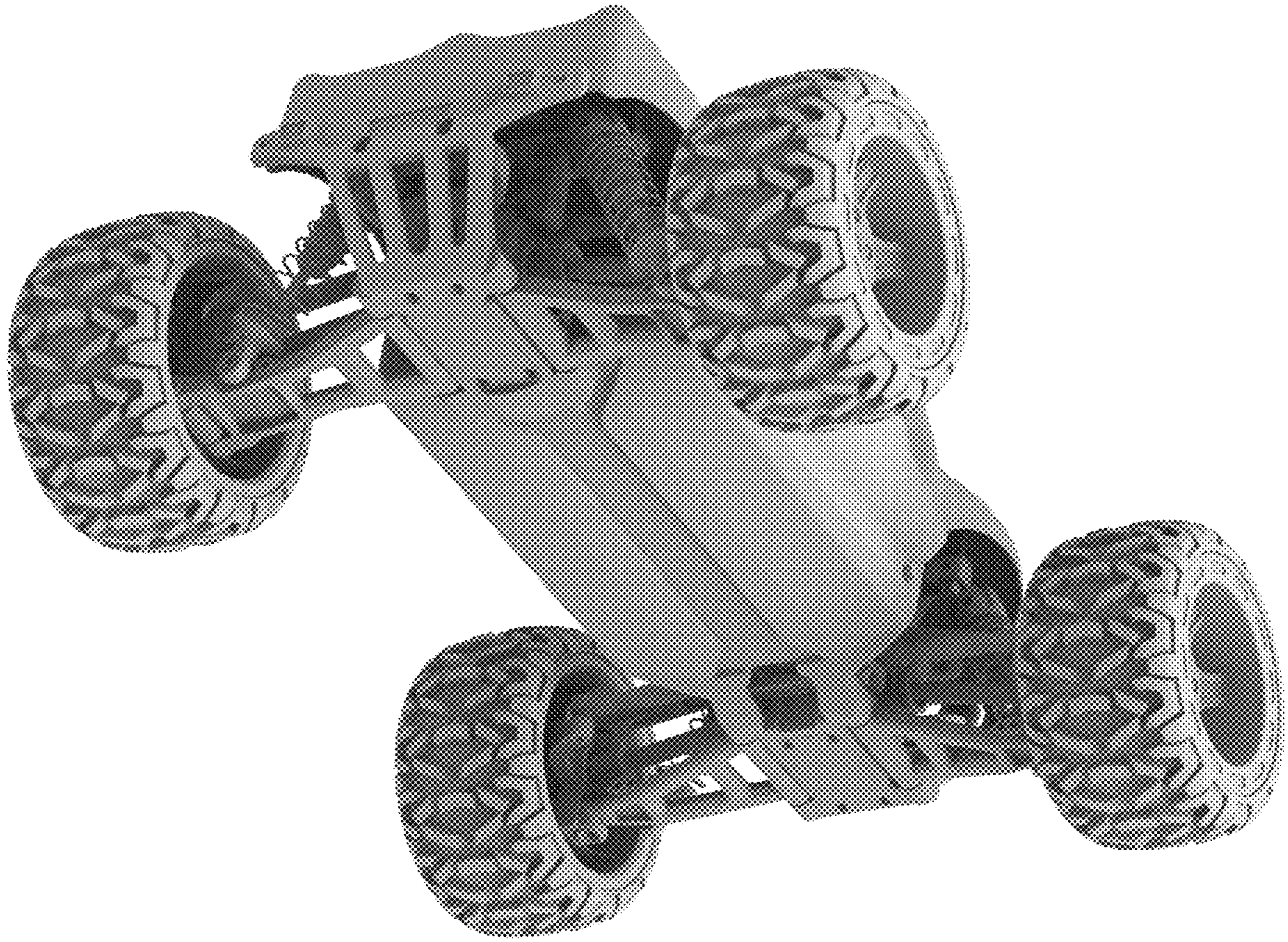


FIG. 2

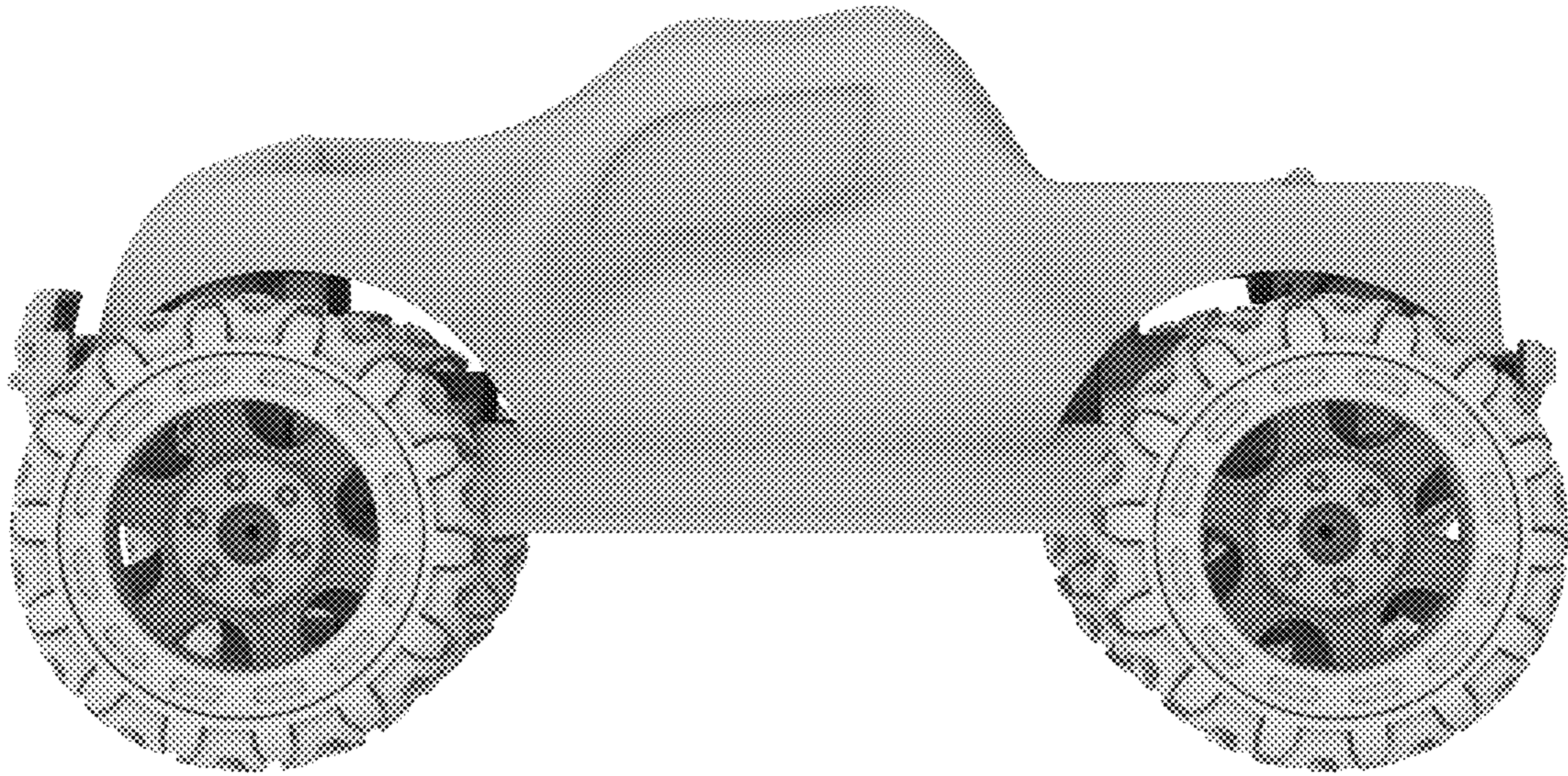


FIG. 3

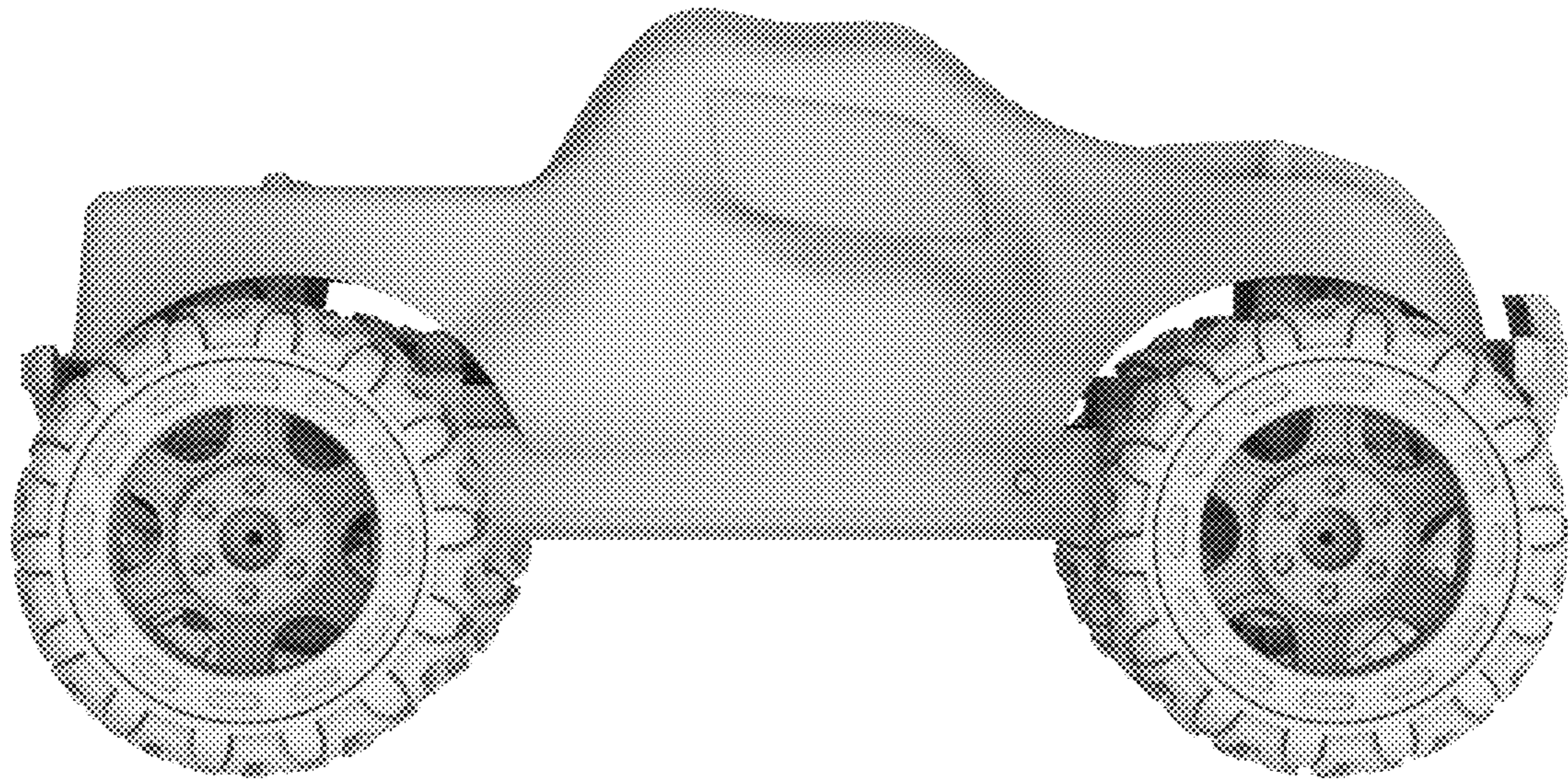


FIG. 4

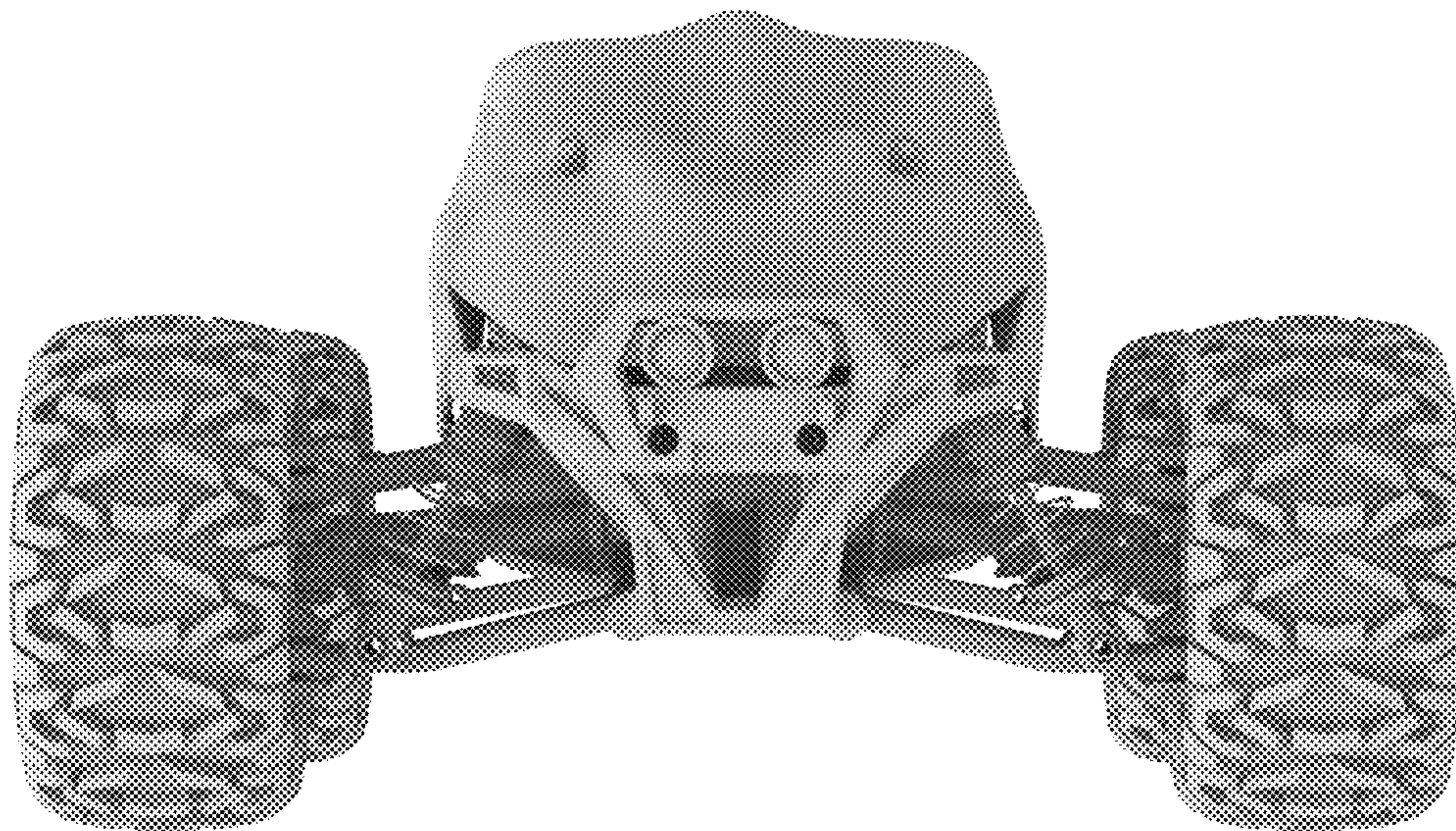


FIG. 5

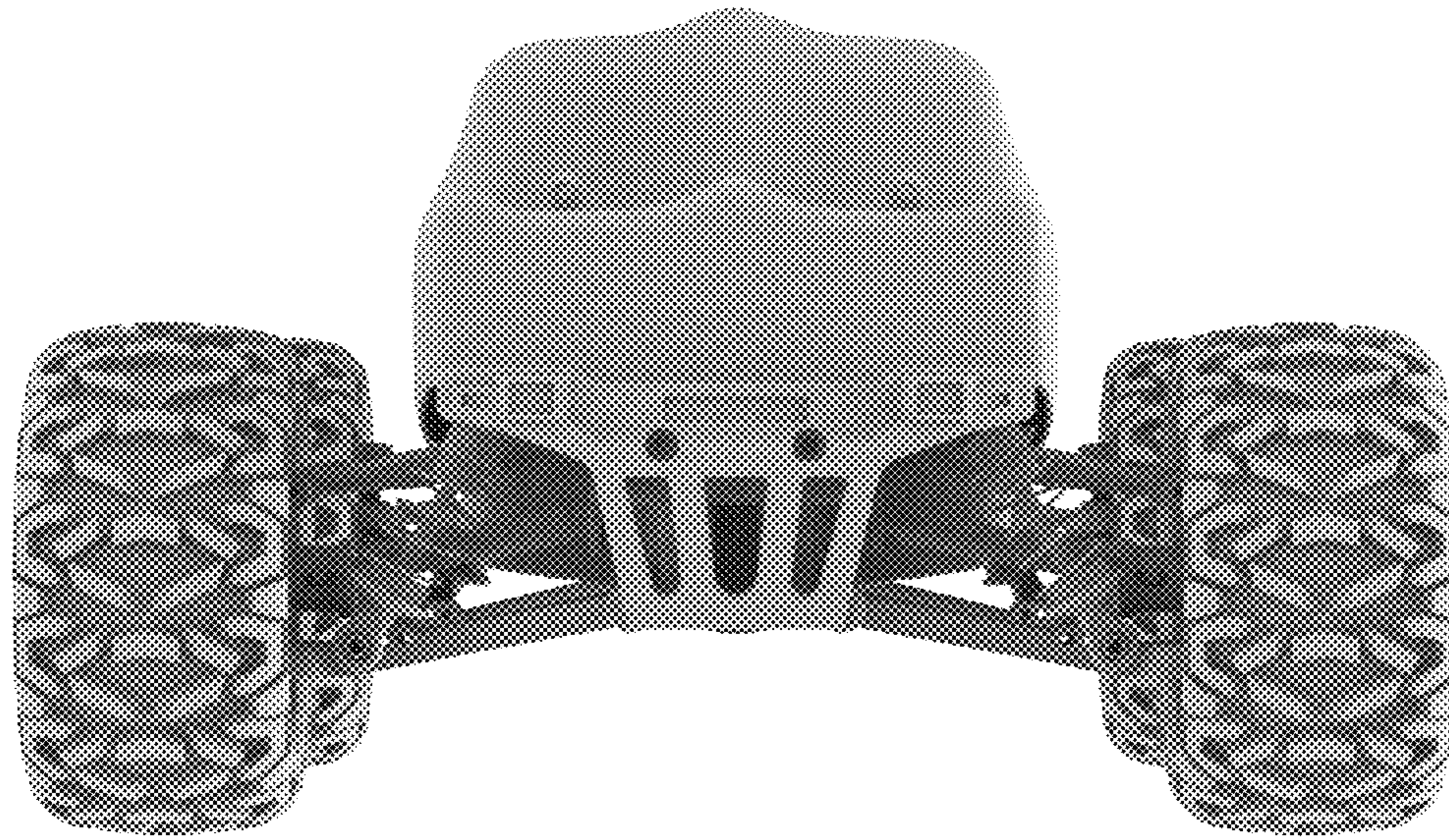


FIG. 6

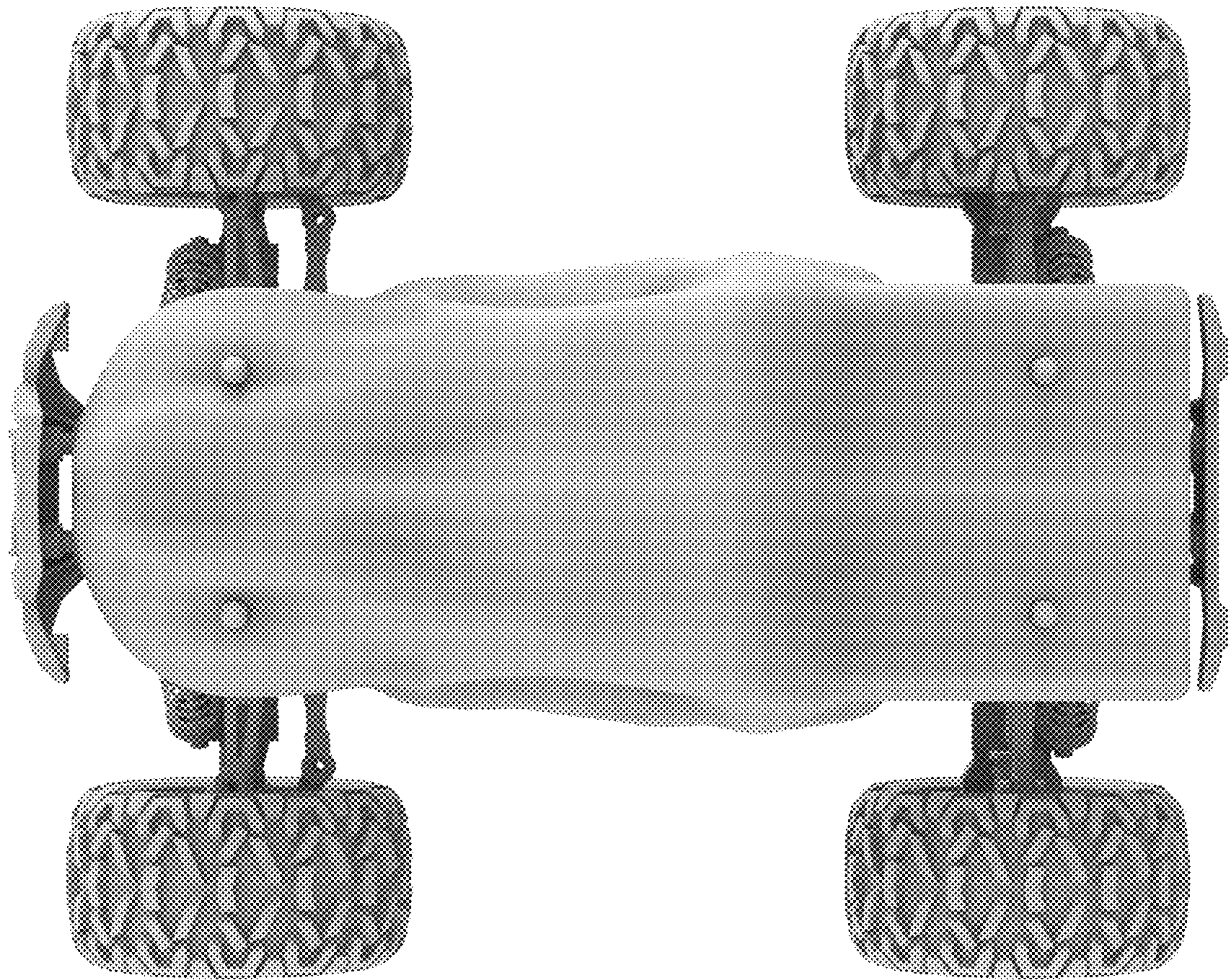


FIG. 7

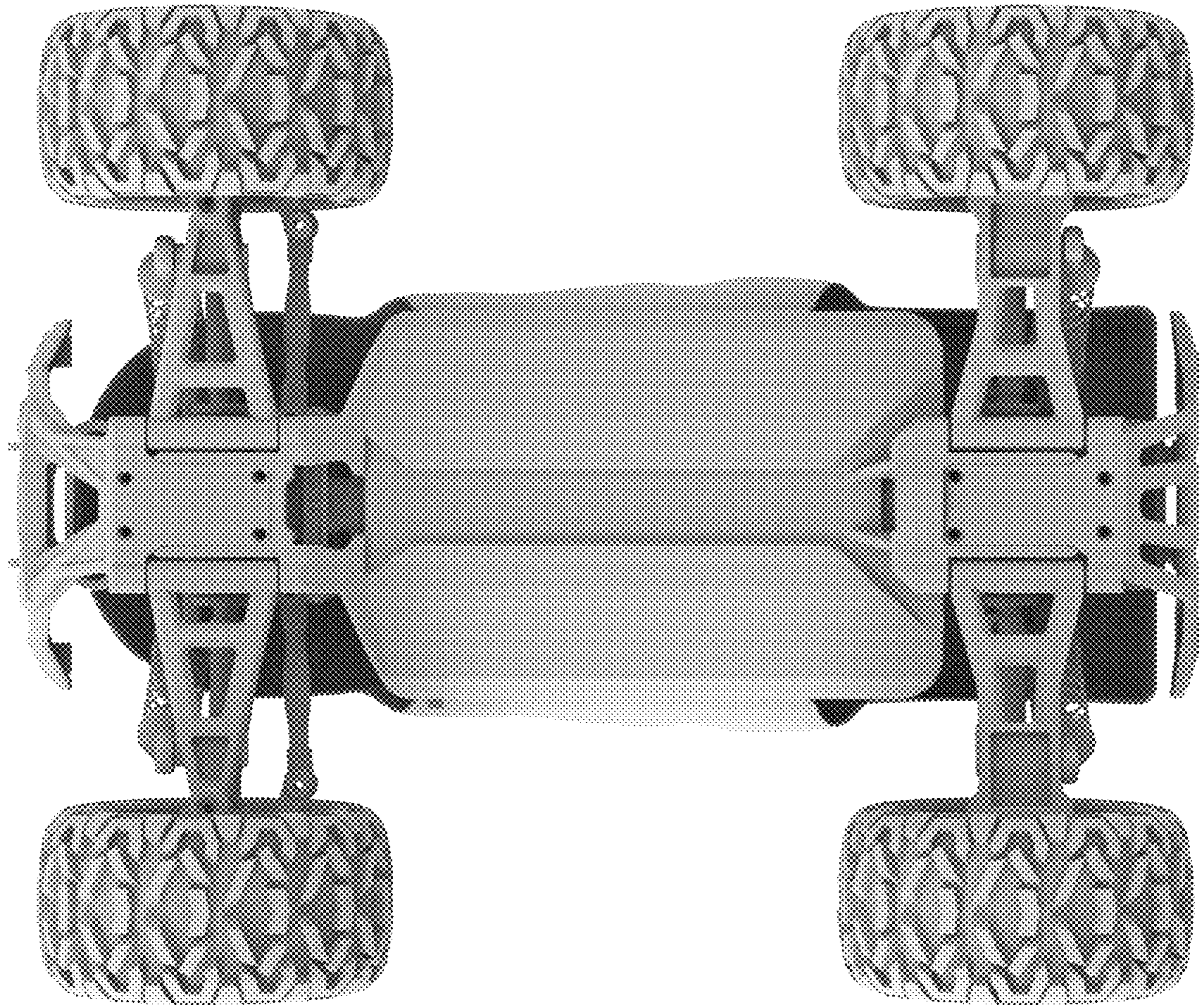


FIG. 8