

US00D952053S

(12) **United States Design Patent**
Chen

(10) **Patent No.:** **US D952,053 S**

(45) **Date of Patent:** **** May 17, 2022**

(54) **TOY CAR**

D896,323 S 9/2020 Kamiyama
D928,244 S * 8/2021 Bao D21/552
D932,563 S * 10/2021 Chen D12/96

(71) Applicant: **Jianhuan Chen**, Shantou (CN)

(72) Inventor: **Jianhuan Chen**, Shantou (CN)

(**) Term: **15 Years**

(21) Appl. No.: **29/781,504**

(22) Filed: **Apr. 30, 2021**

(30) **Foreign Application Priority Data**

Apr. 28, 2021 (CN) 202130249794.6

(51) **LOC (13) Cl.** **21-01**

(52) **U.S. Cl.**
USPC **D21/552**; D21/470

(58) **Field of Classification Search**
USPC D21/424, 427, 428, 433, 434, 470, 533,
D21/548, 549, 550, 552-556, 559, 560,
D21/561, 562

CPC A63H 17/00; A63H 17/004; A63H 17/05;
A63H 17/06; A63H 17/262

See application file for complete search history.

(56) **References Cited**

U.S. PATENT DOCUMENTS

D226,572 S * 3/1973 Munn D21/562
D253,777 S * 12/1979 Nakao D21/559
D257,049 S * 9/1980 Okado D21/552
D422,033 S * 3/2000 Wai D21/470
D838,320 S 1/2019 Lee
D852,900 S 7/2019 Zhou

OTHER PUBLICATIONS

Melissa & Doug Shape-Sorting Wooden Dump Truck Toy, Reviewed on Amazon and available online as early as Dec. 28, 2016 [online], [site visited Jan. 27, 2022]. Available from Internet: <URL:https://www.amazon.com/Melissa-Doug-Shape-Sorting-Craftsmanship-Colorful/dp/B012WE829M/> (Year: 2016).*

VTech Sort and Recycle Ride-On Truck, Amazon Release date Mar. 4, 2021 [online], [site visited Jan. 27, 2022]. Available from Internet: <URL:https://www.amazon.com/VTech-Recycle-Ride-Frustration-Packaging/dp/B08Y5GFSJS/> (Year: 2021).*

* cited by examiner

Primary Examiner — Cynthia M. Chin

(57) **CLAIM**

The ornamental design for a toy car, as shown and described.

DESCRIPTION

FIG. 1 is a first perspective view of a toy car showing my new design;

FIG. 2 is a second perspective view thereof;

FIG. 3 is a front view thereof;

FIG. 4 is a back view thereof;

FIG. 5 is a left side view thereof;

FIG. 6 is a right side view thereof;

FIG. 7 is a top view thereof; and,

FIG. 8 is a bottom view thereof.

1 Claim, 8 Drawing Sheets

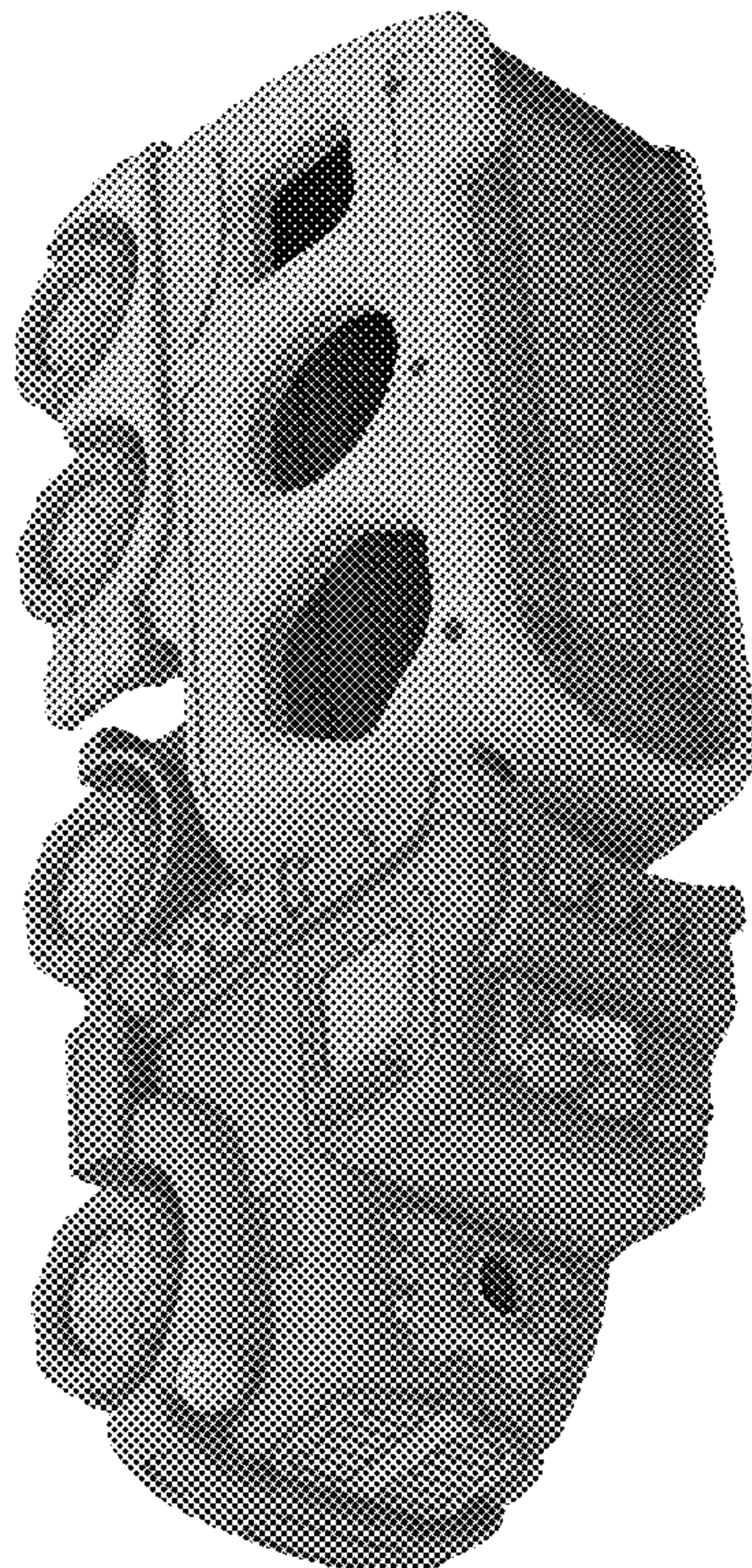




FIG. 1

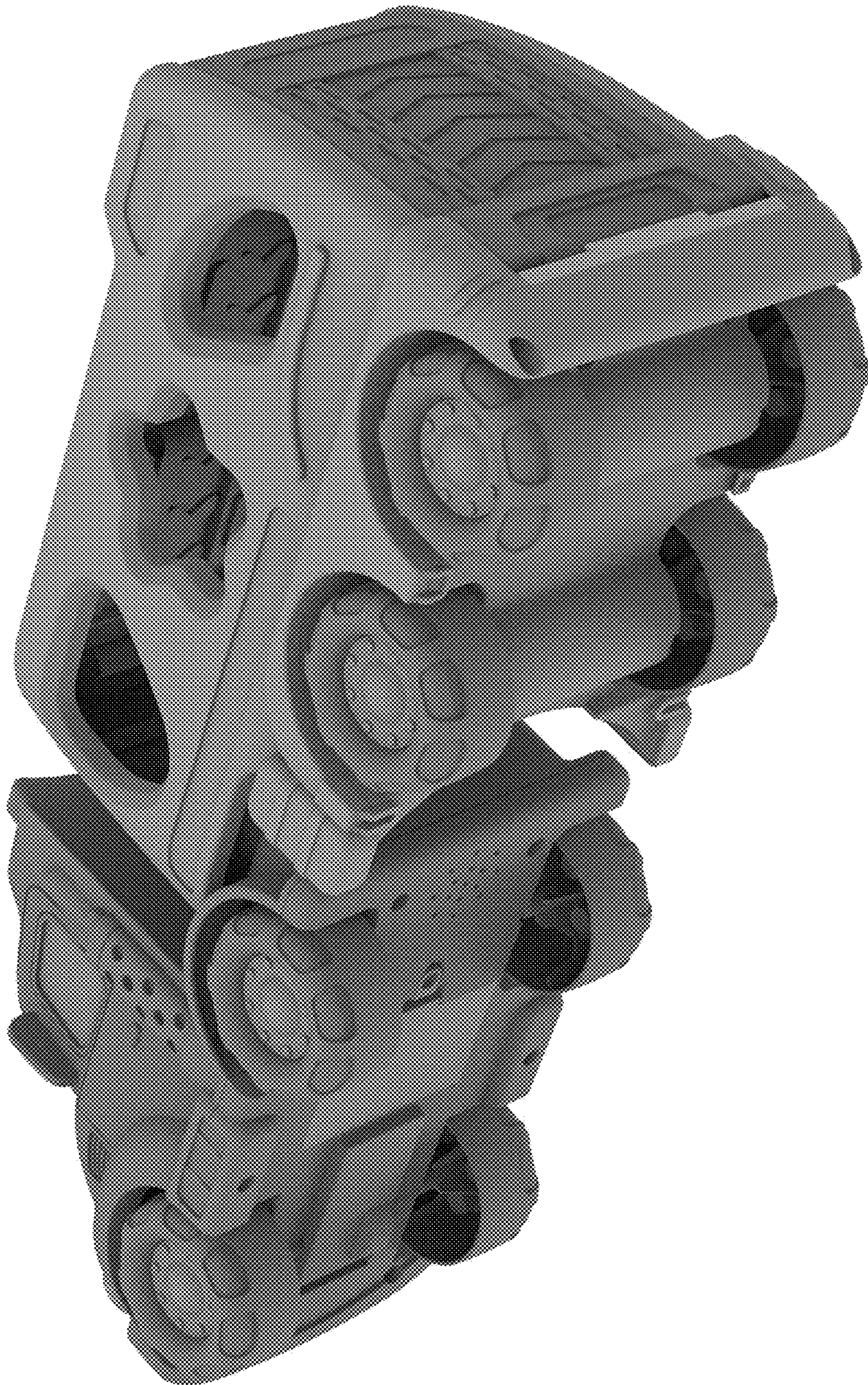


FIG. 2

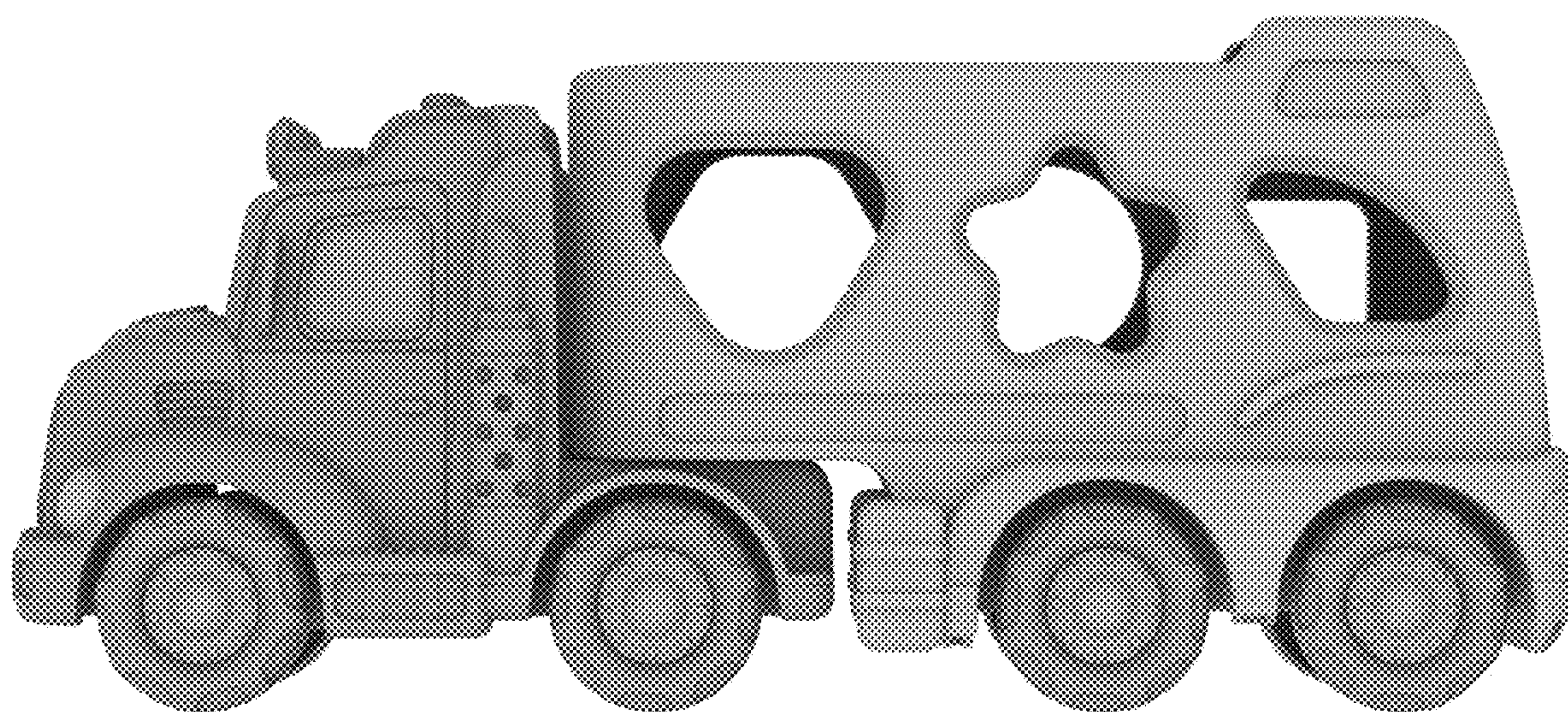


FIG. 3

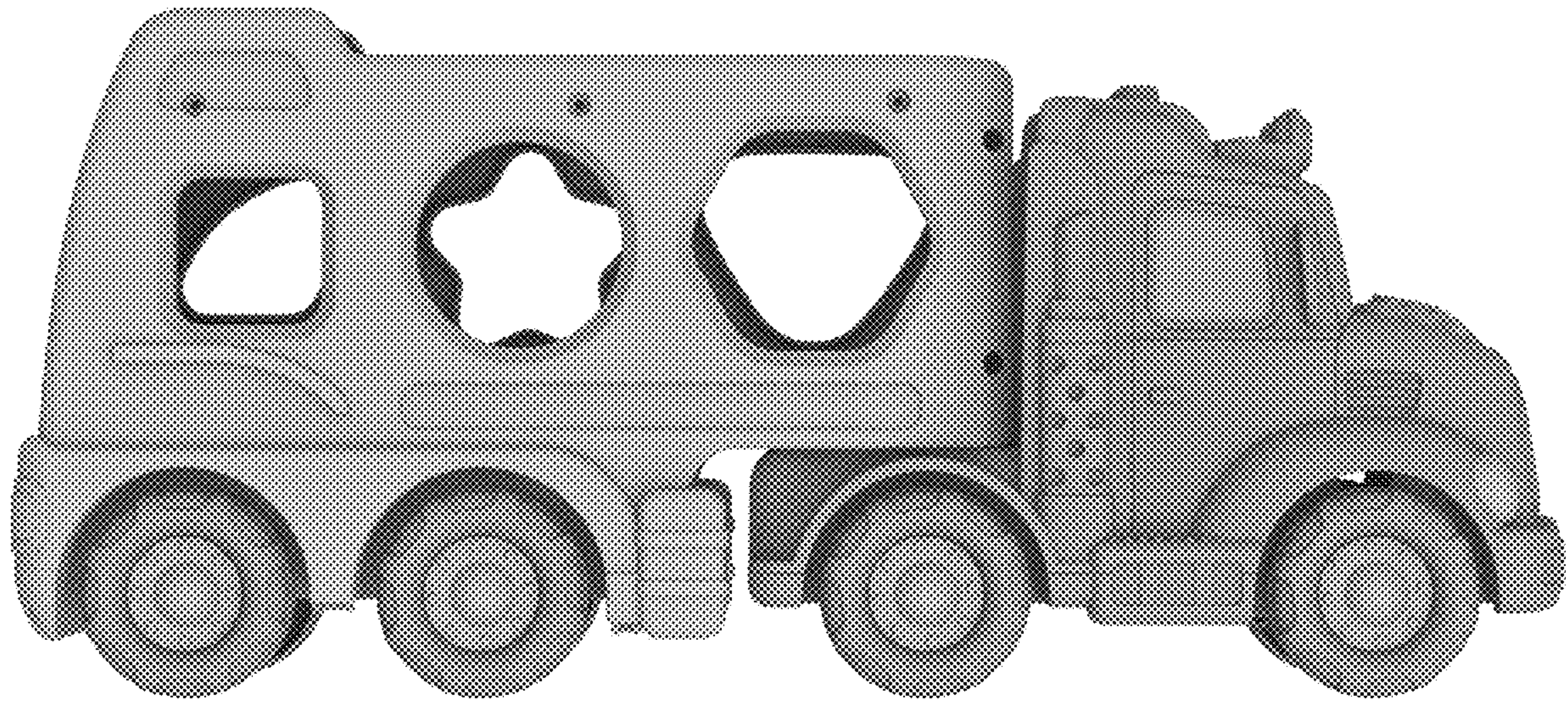


FIG. 4



FIG. 5

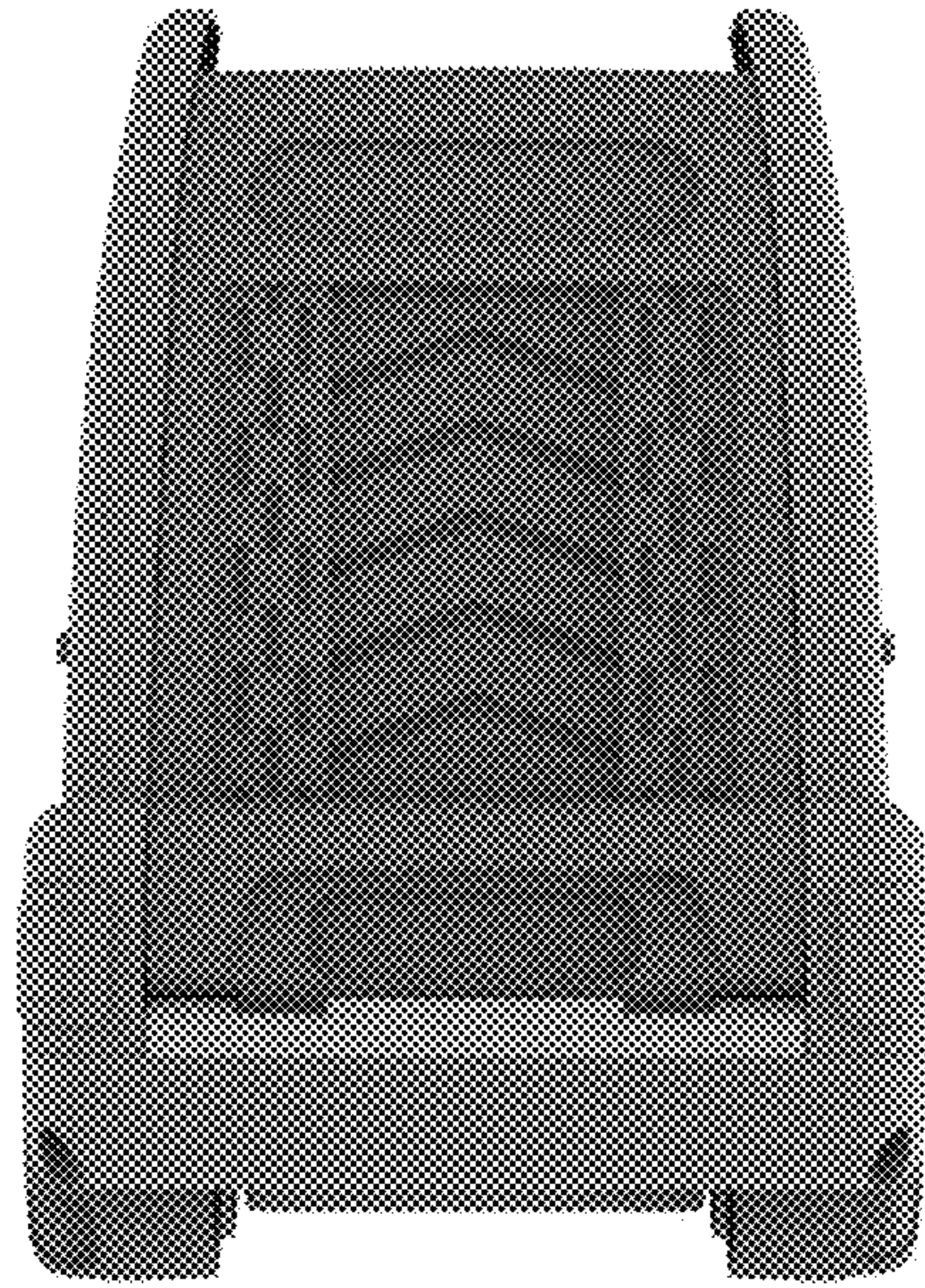


FIG. 6

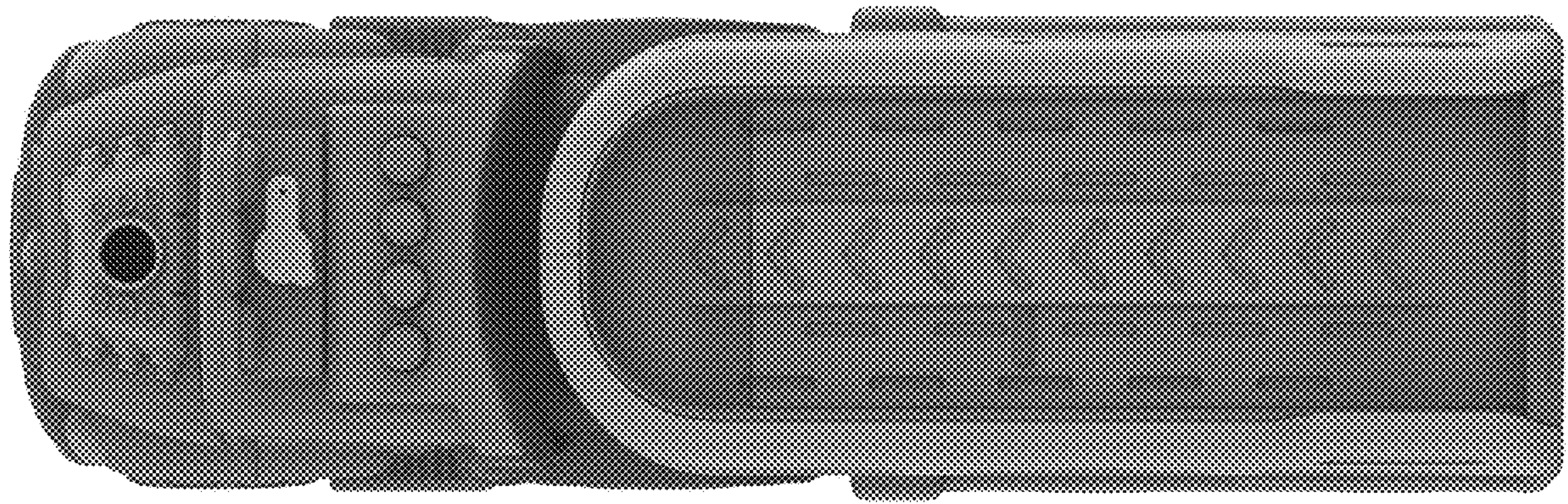


FIG. 7

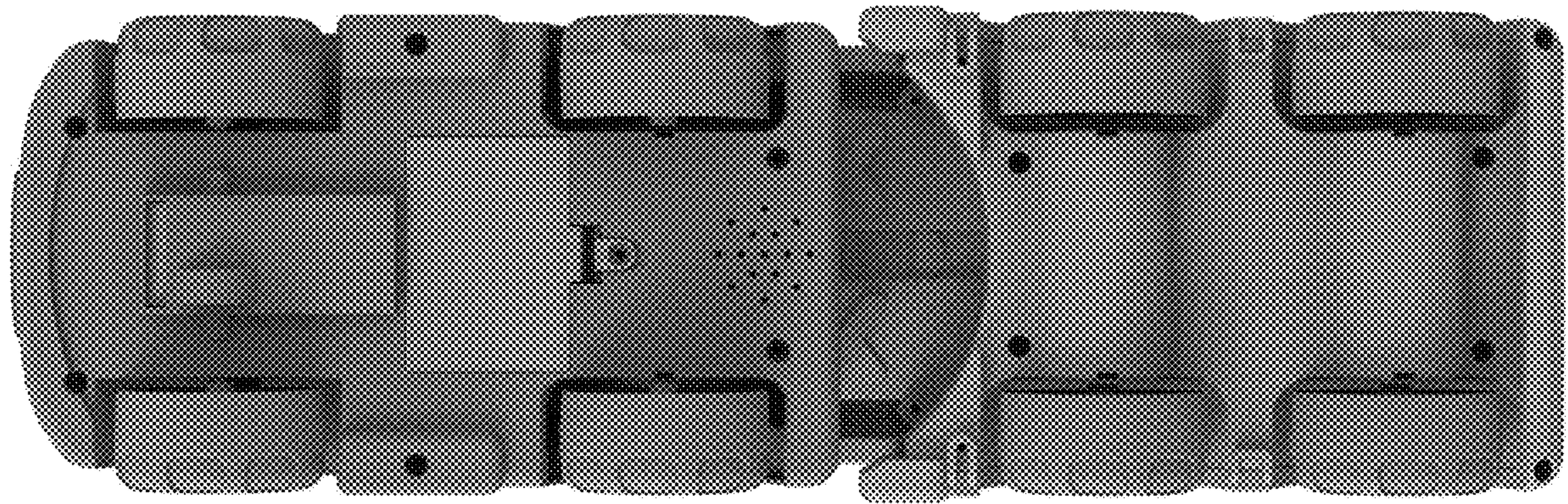


FIG. 8