



US00D952052S

(12) **United States Design Patent**  
**Xu**

(10) **Patent No.:** **US D952,052 S**  
(45) **Date of Patent:** **\*\* May 17, 2022**

(54) **TOY RACE CAR**

(71) Applicant: **SHANTOU CITY CHENGHAI  
JINGWEI INDUSTRIAL CO., LTD.,**  
Shantou (CN)

(72) Inventor: **Yutao Xu**, Shantou (CN)

(\*\*) Term: **15 Years**

(21) Appl. No.: **29/785,474**

(22) Filed: **May 26, 2021**

(30) **Foreign Application Priority Data**

May 8, 2021 (CN) ..... 202130272366.5

(51) **LOC (13) Cl.** ..... **21-01**

(52) **U.S. Cl.**  
USPC ..... **D21/550**

(58) **Field of Classification Search**  
USPC ..... D21/424, 427, 428, 433, 434, 533, 548,  
D21/549, 550, 552, 559, 560, 561, 562  
CPC ..... A63H 17/00; A63H 17/004; A63H 17/05;  
A63H 17/06; A63H 17/262  
See application file for complete search history.

(56) **References Cited**

**U.S. PATENT DOCUMENTS**

D318,081 S \* 7/1991 Yoshino ..... D21/550  
D318,924 S \* 8/1991 Yoshino ..... D21/550  
D320,821 S \* 10/1991 Mochizuki ..... D21/550  
D322,102 S \* 12/1991 Araki ..... D21/550

D425,141 S \* 5/2000 Park ..... D21/550  
D549,787 S \* 8/2007 Chen ..... D21/548  
D617,851 S \* 6/2010 Stoddard ..... D21/549  
D672,407 S \* 12/2012 Nakayama ..... D21/550  
D690,372 S \* 9/2013 Fujiwara ..... D21/550  
D870,209 S 12/2019 Chen  
D870,823 S 12/2019 Manzoni  
D888,164 S 6/2020 Hu  
D897,452 S \* 9/2020 Lin ..... D21/552  
D940,253 S \* 1/2022 Bao ..... D21/533  
D940,254 S \* 1/2022 Lin ..... D21/548  
2011/0177754 A1\* 7/2011 Nakayama ..... A63H 17/262  
446/465

\* cited by examiner

*Primary Examiner* — Cynthia M. Chin

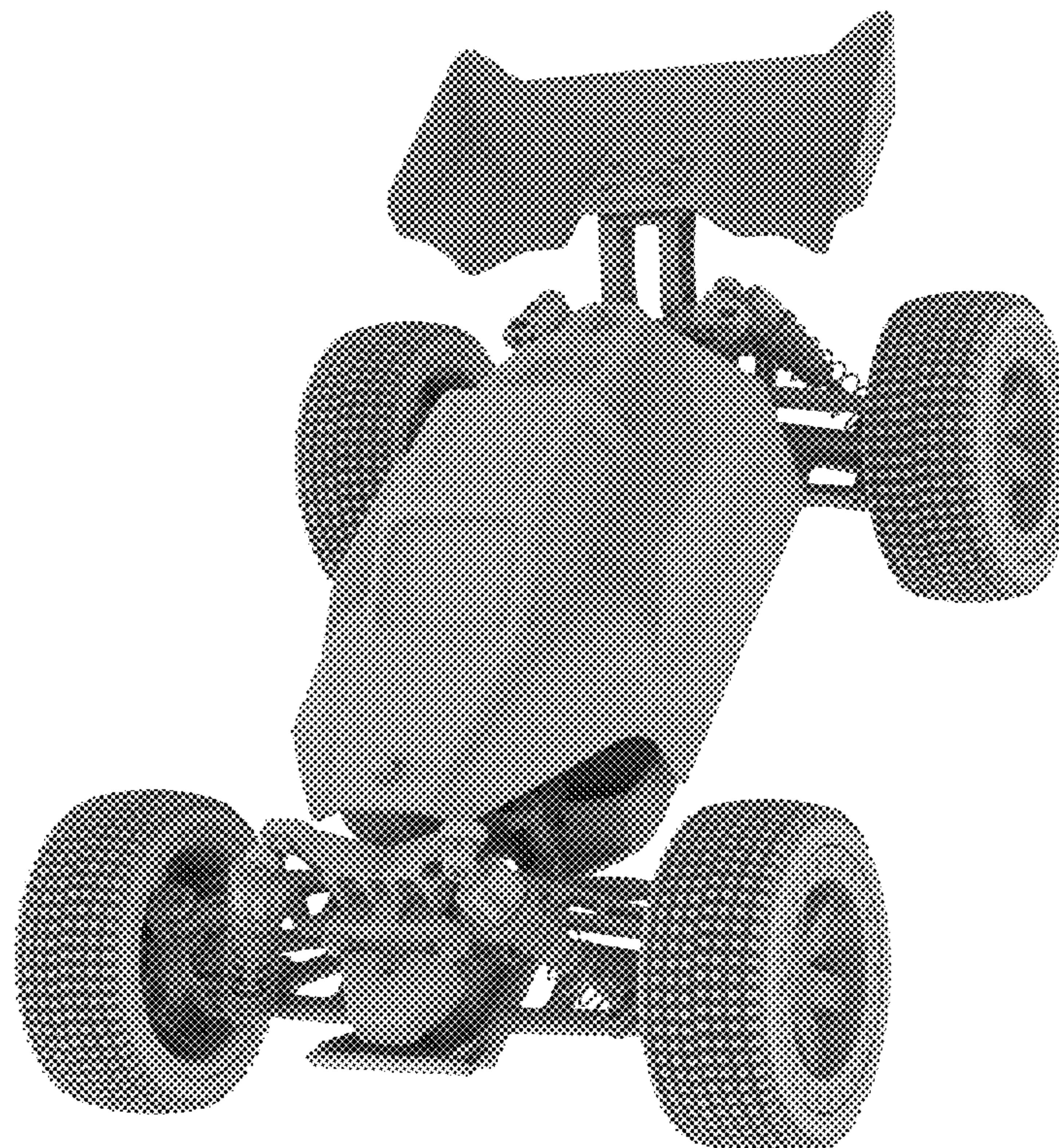
(57) **CLAIM**

The ornamental design for a toy race car, as shown and described.

**DESCRIPTION**

FIG. 1 is a first perspective view of a toy race car showing my new design;  
FIG. 2 is a second perspective view thereof;  
FIG. 3 is a front view thereof;  
FIG. 4 is a back view thereof;  
FIG. 5 is a left side view thereof;  
FIG. 6 is a right side view thereof;  
FIG. 7 is a top view thereof; and,  
FIG. 8 is a bottom view thereof.

**1 Claim, 8 Drawing Sheets**





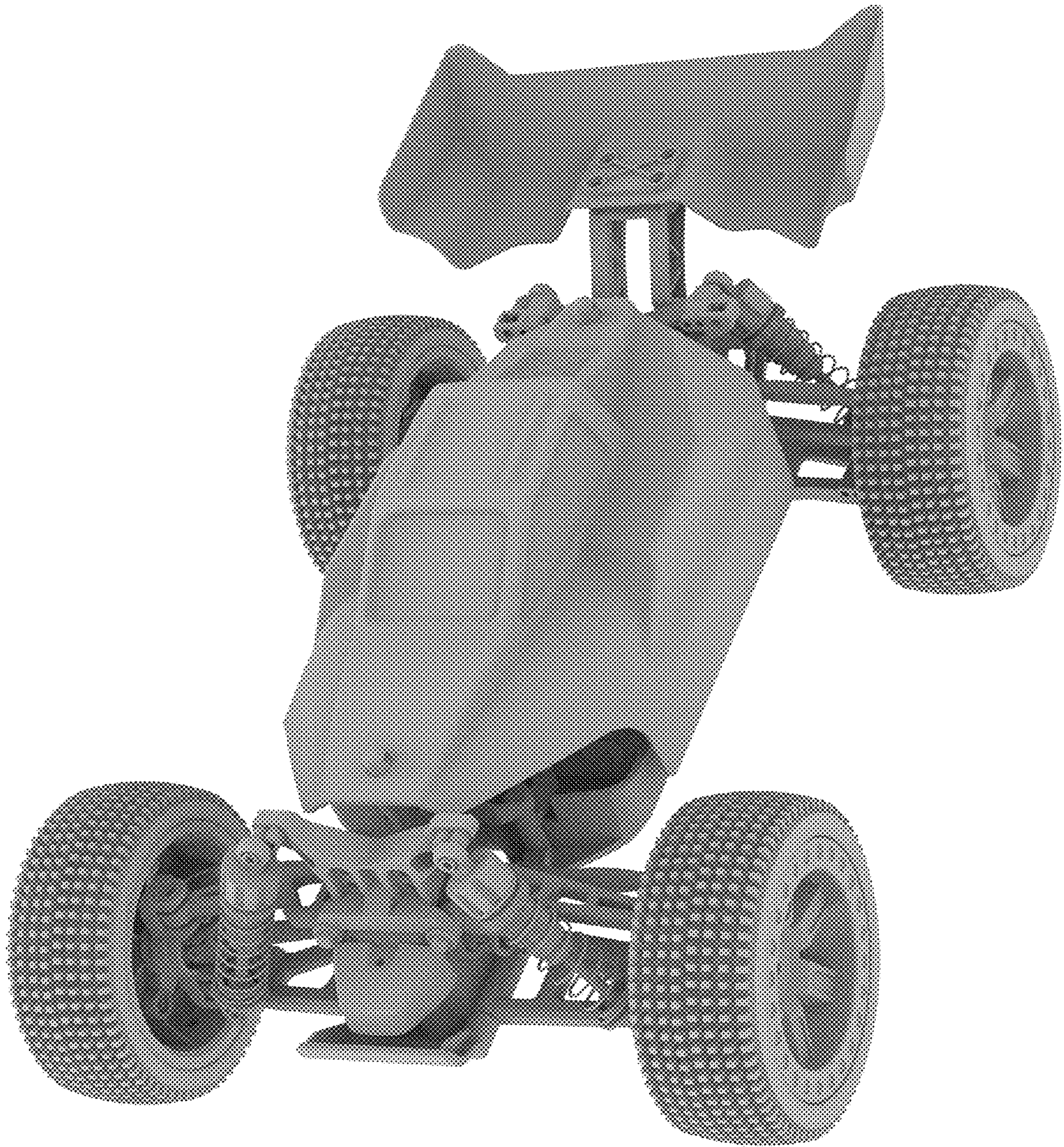


FIG. 1



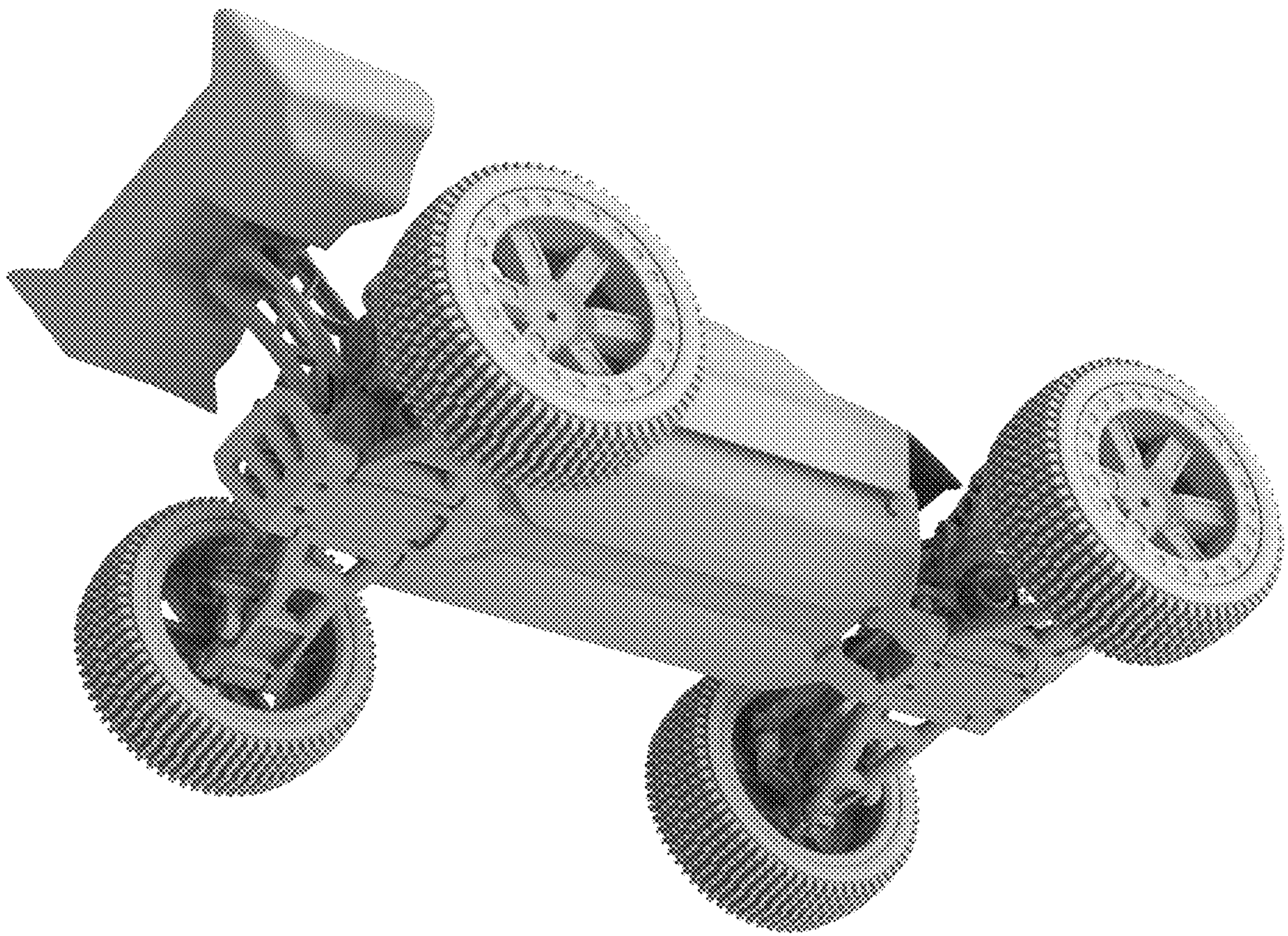


FIG. 2



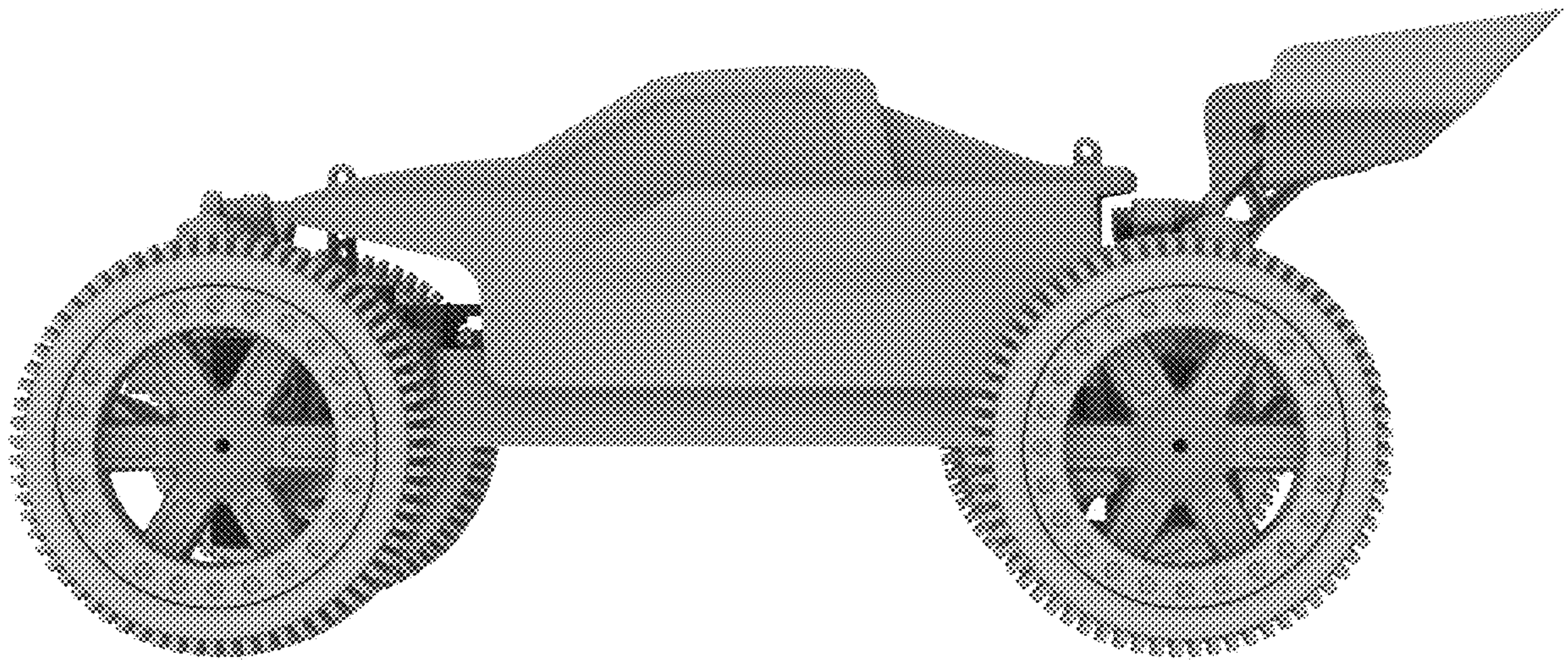


FIG. 3

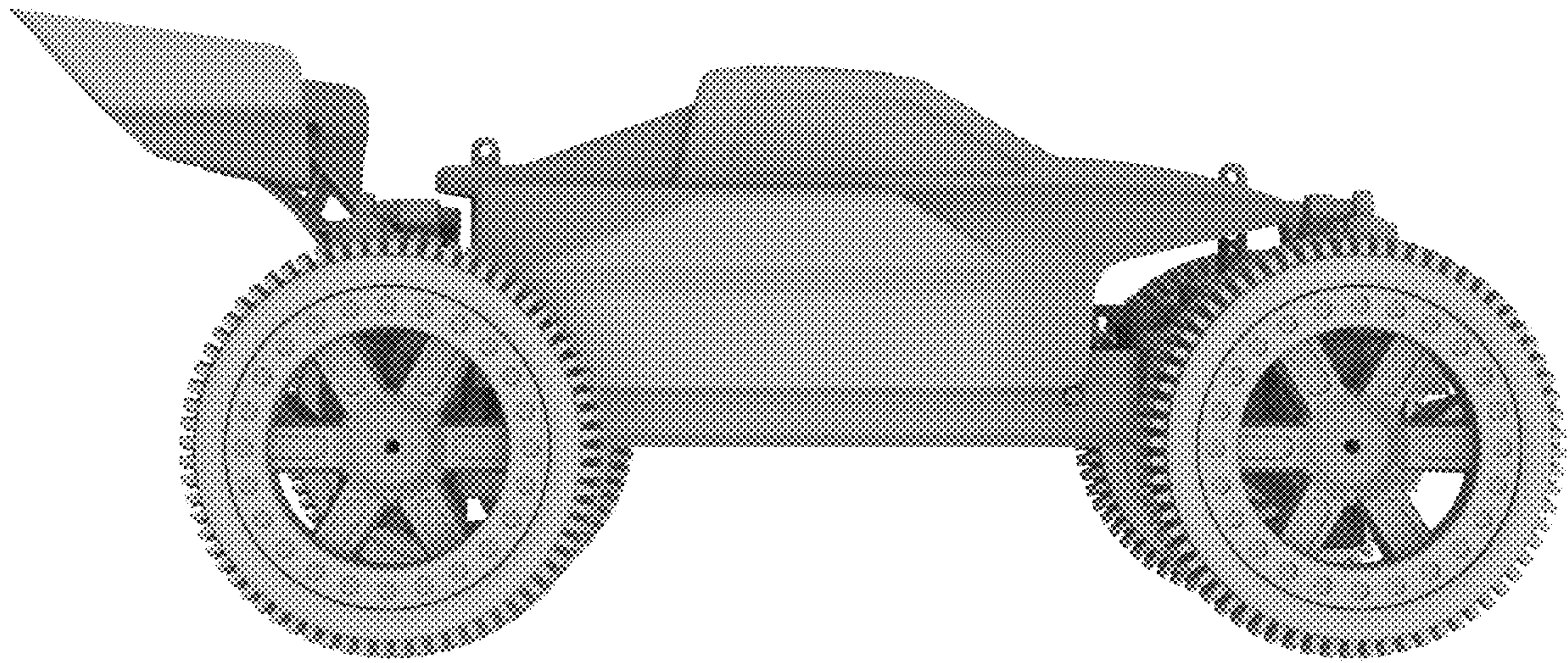


FIG. 4



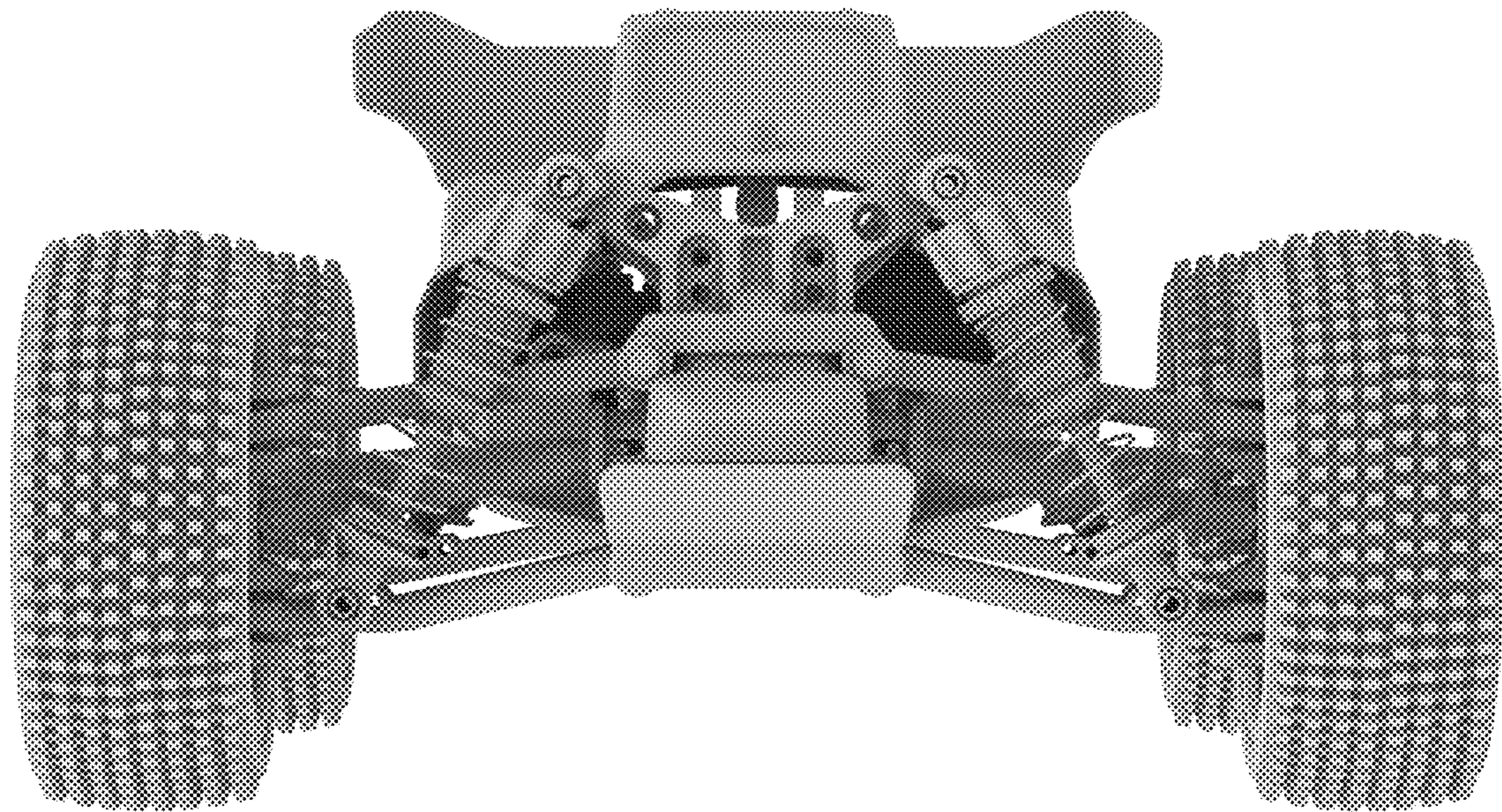


FIG. 5



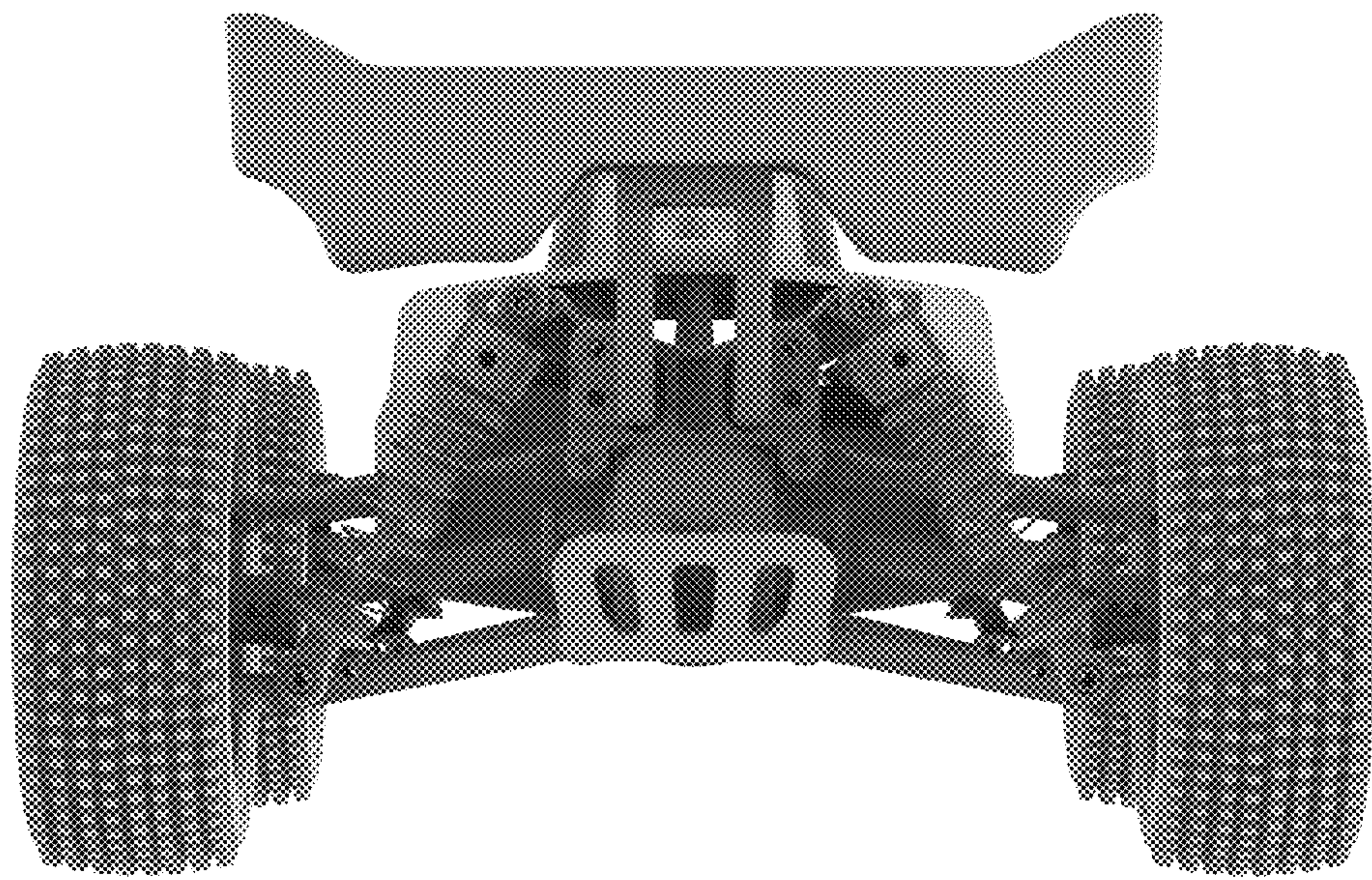


FIG. 6



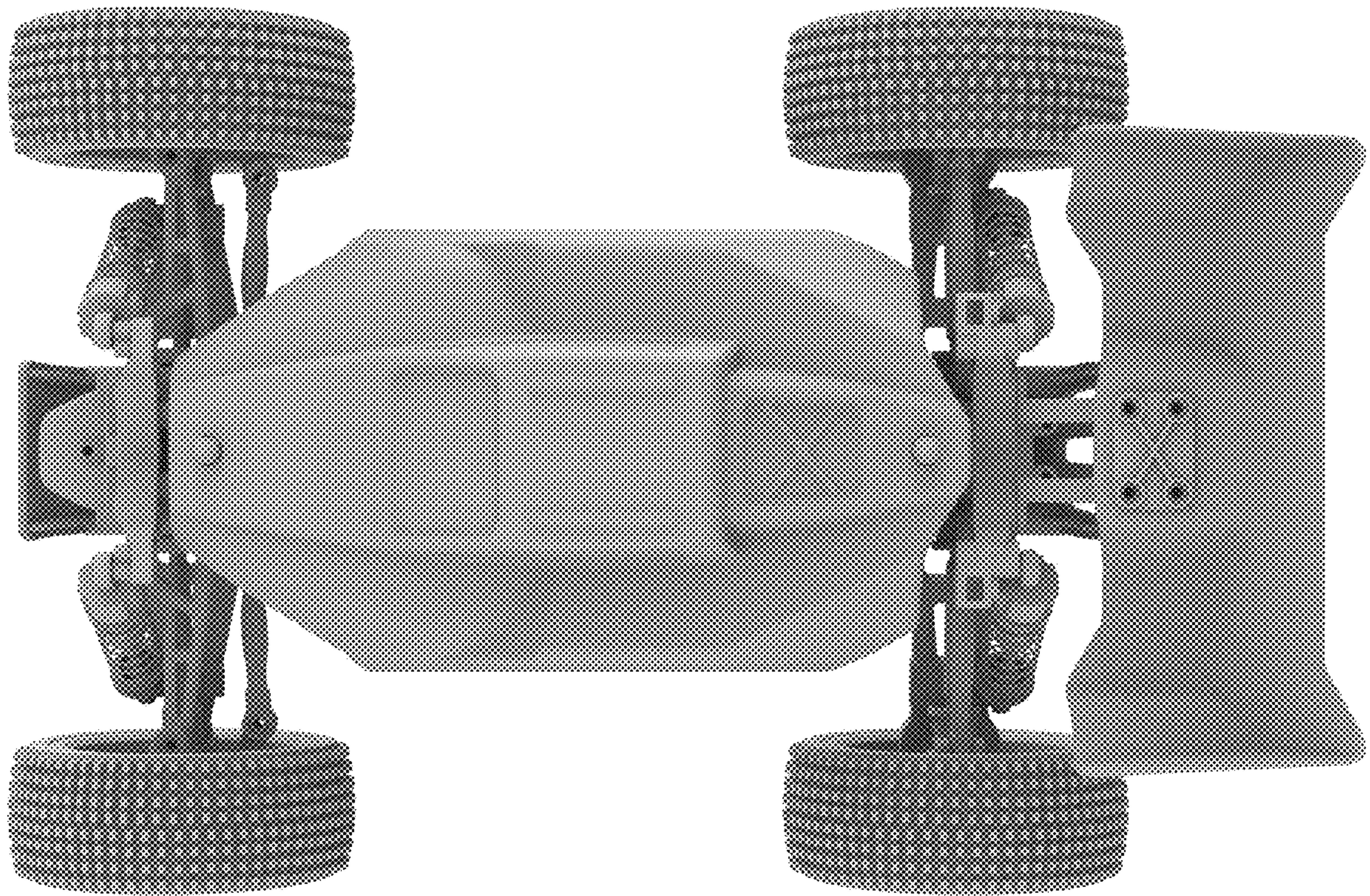


FIG. 7



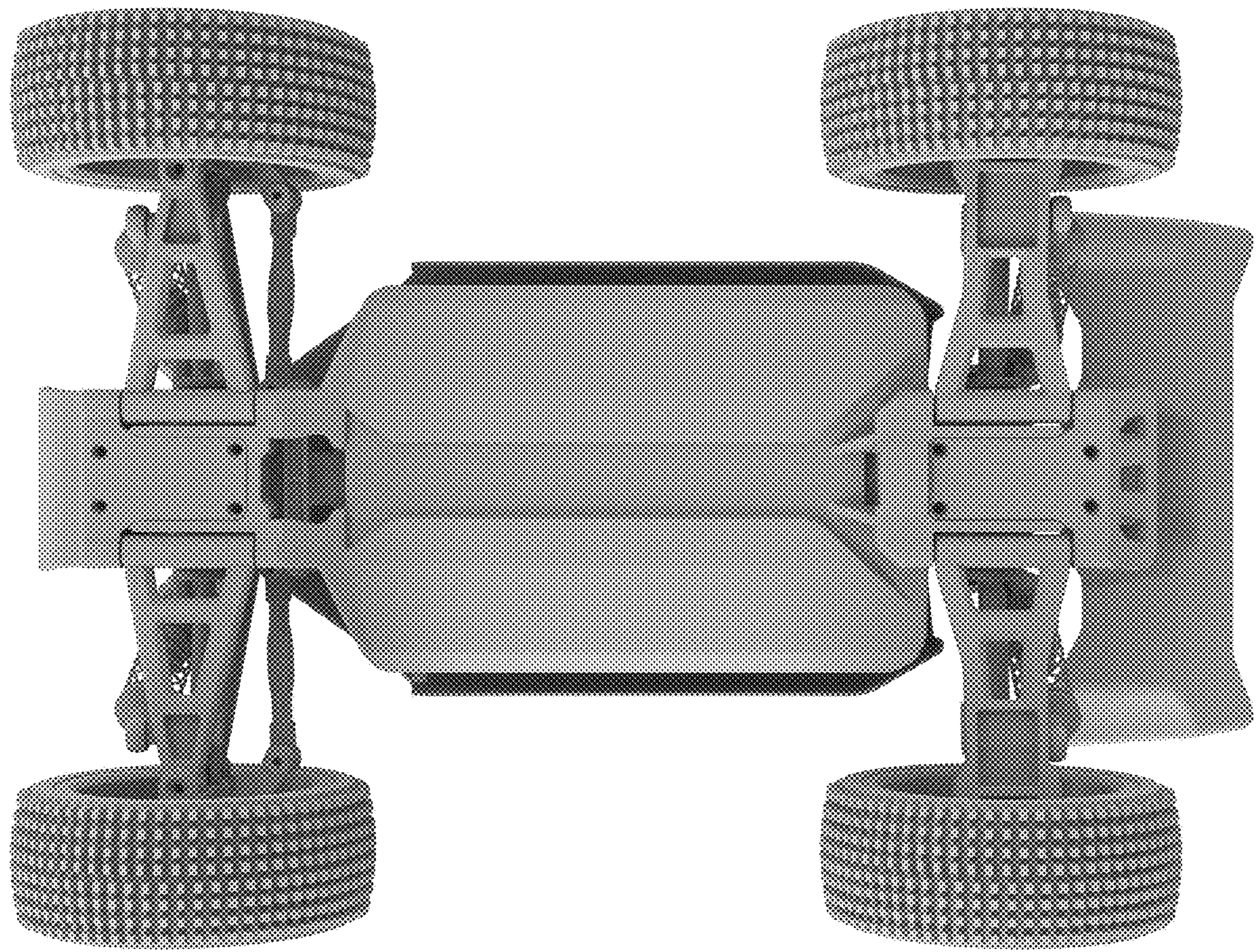


FIG. 8