



US00D952051S

(12) **United States Design Patent**
Xu

(10) **Patent No.:** **US D952,051 S**

(45) **Date of Patent:** **** May 17, 2022**

(54) **TOY RACE CAR**

(71) Applicant: **SHANTOU CITY CHENGHAI
JINGWEI INDUSTRIAL CO., LTD.,**
Shantou (CN)

(72) Inventor: **Yutao Xu**, Shantou (CN)

(**) Term: **15 Years**

(21) Appl. No.: **29/785,473**

(22) Filed: **May 26, 2021**

(30) **Foreign Application Priority Data**

May 8, 2021 (CN) 202130272637.7

(51) **LOC (13) Cl.** **21-01**

(52) **U.S. Cl.**
USPC **D21/550**

(58) **Field of Classification Search**

USPC D21/424, 427, 428, 433, 434, 533, 548,
D21/549, 550, 552, 559, 560, 561, 562

CPC A63H 17/00; A63H 17/004; A63H 17/05;
A63H 17/06; A63H 17/262

See application file for complete search history.

(56) **References Cited**

U.S. PATENT DOCUMENTS

D318,081 S * 7/1991 Yoshino D21/550
D318,924 S * 8/1991 Yoshino D21/550
D320,821 S * 10/1991 Mochizuki D21/550
D322,102 S * 12/1991 Araki D21/550

D425,141 S * 5/2000 Park D21/550
D549,787 S * 8/2007 Chen D21/548
D617,851 S * 6/2010 Stoddard D21/549
D672,407 S * 12/2012 Nakayama D21/550
D690,372 S * 9/2013 Fujiwara D21/550
D870,209 S 12/2019 Chen
D870,823 S 12/2019 Manzoni
D888,164 S 6/2020 Hu
D897,452 S * 9/2020 Lin D21/552
D940,253 S * 1/2022 Bao D21/533
D940,254 S * 1/2022 Lin D21/548
2011/0177754 A1* 7/2011 Nakayama A63H 17/262
446/465

* cited by examiner

Primary Examiner — Cynthia M. Chin

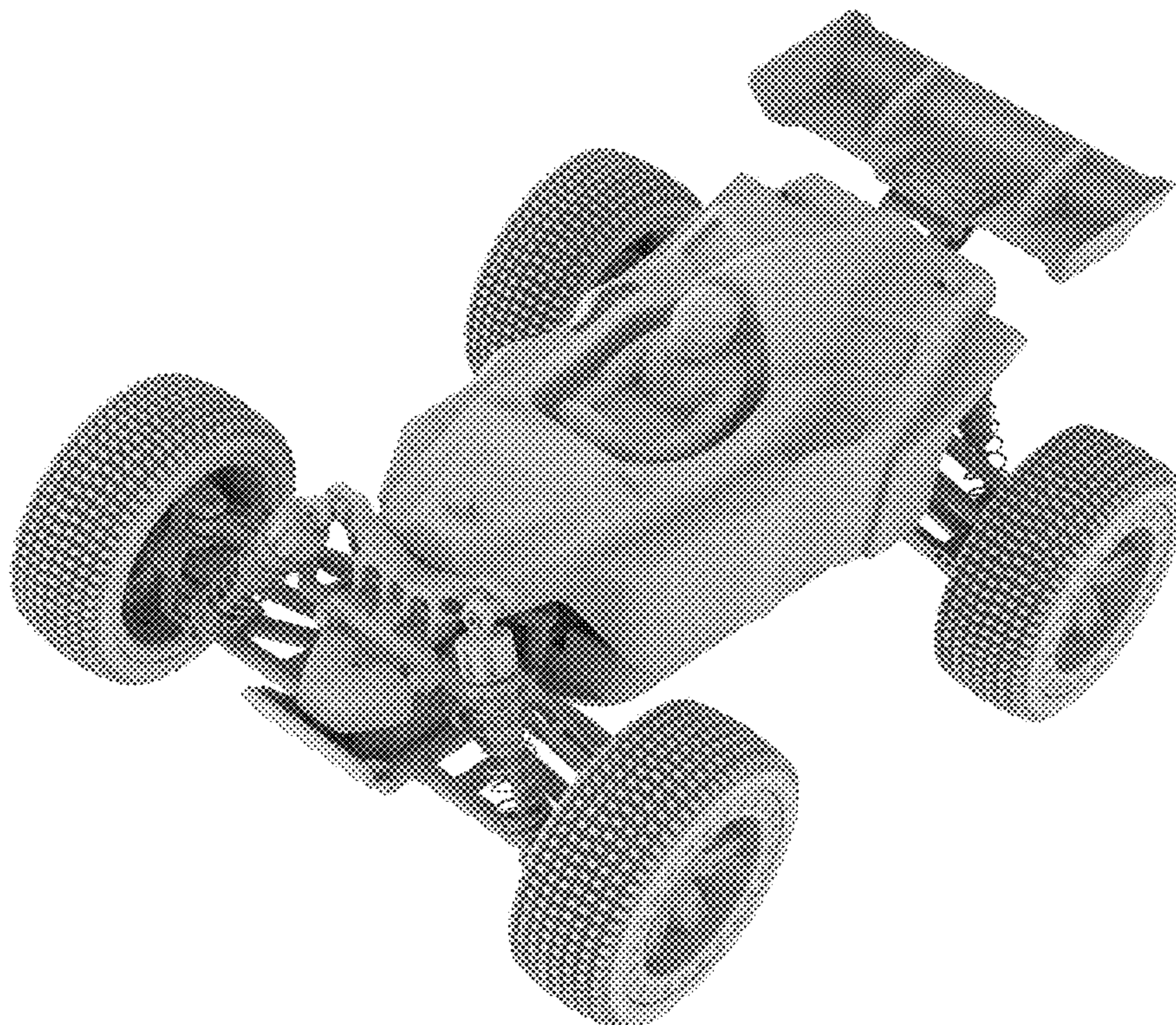
(57) **CLAIM**

The ornamental design for a toy race car, as shown and described.

DESCRIPTION

FIG. 1 is a first perspective view of a toy race car showing my new design;
FIG. 2 is a second perspective view thereof;
FIG. 3 is a front view thereof;
FIG. 4 is a back view thereof;
FIG. 5 is a left side view thereof;
FIG. 6 is a right side view thereof;
FIG. 7 is a top view thereof; and,
FIG. 8 is a bottom view thereof.

1 Claim, 8 Drawing Sheets



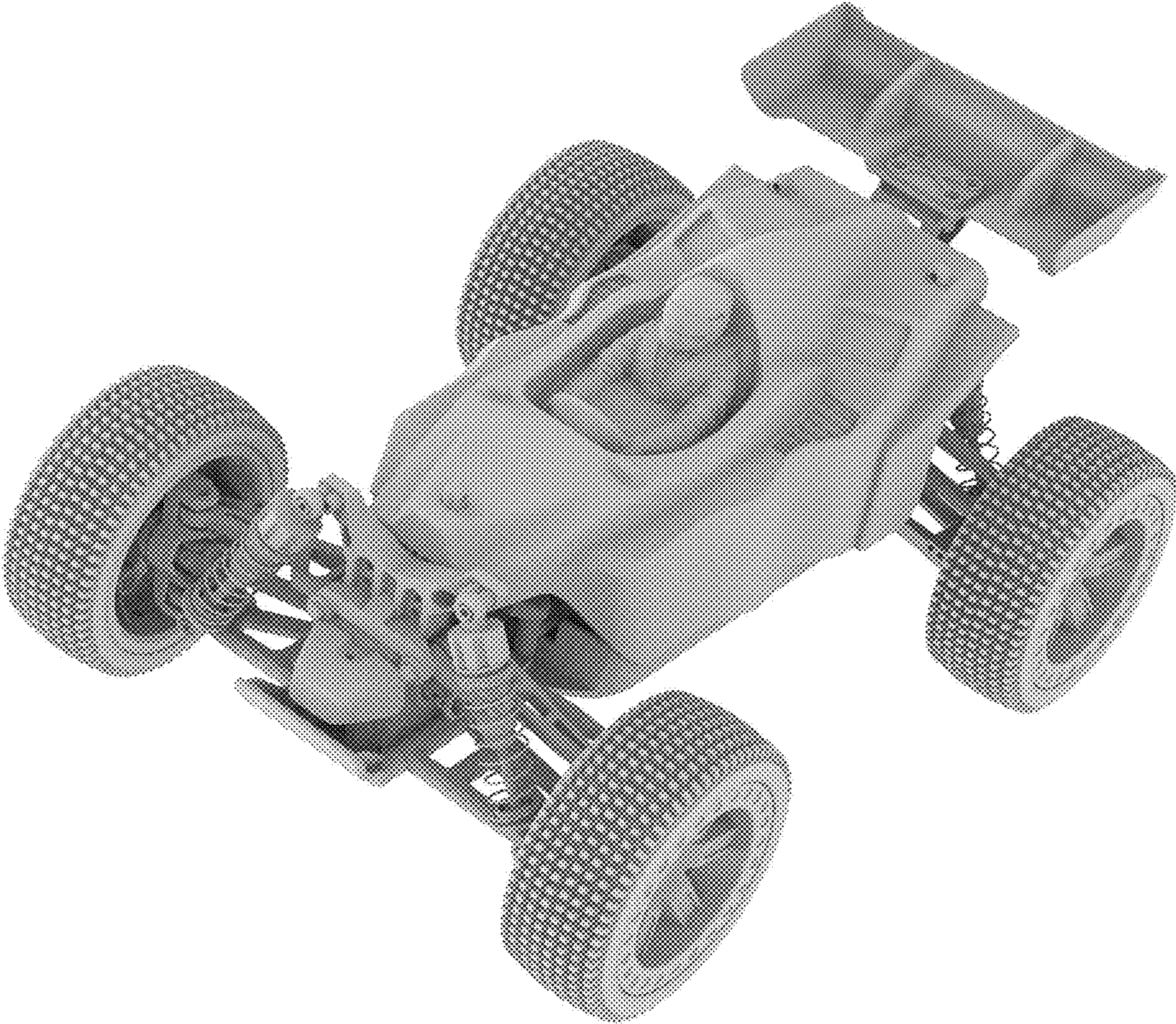


FIG. 1

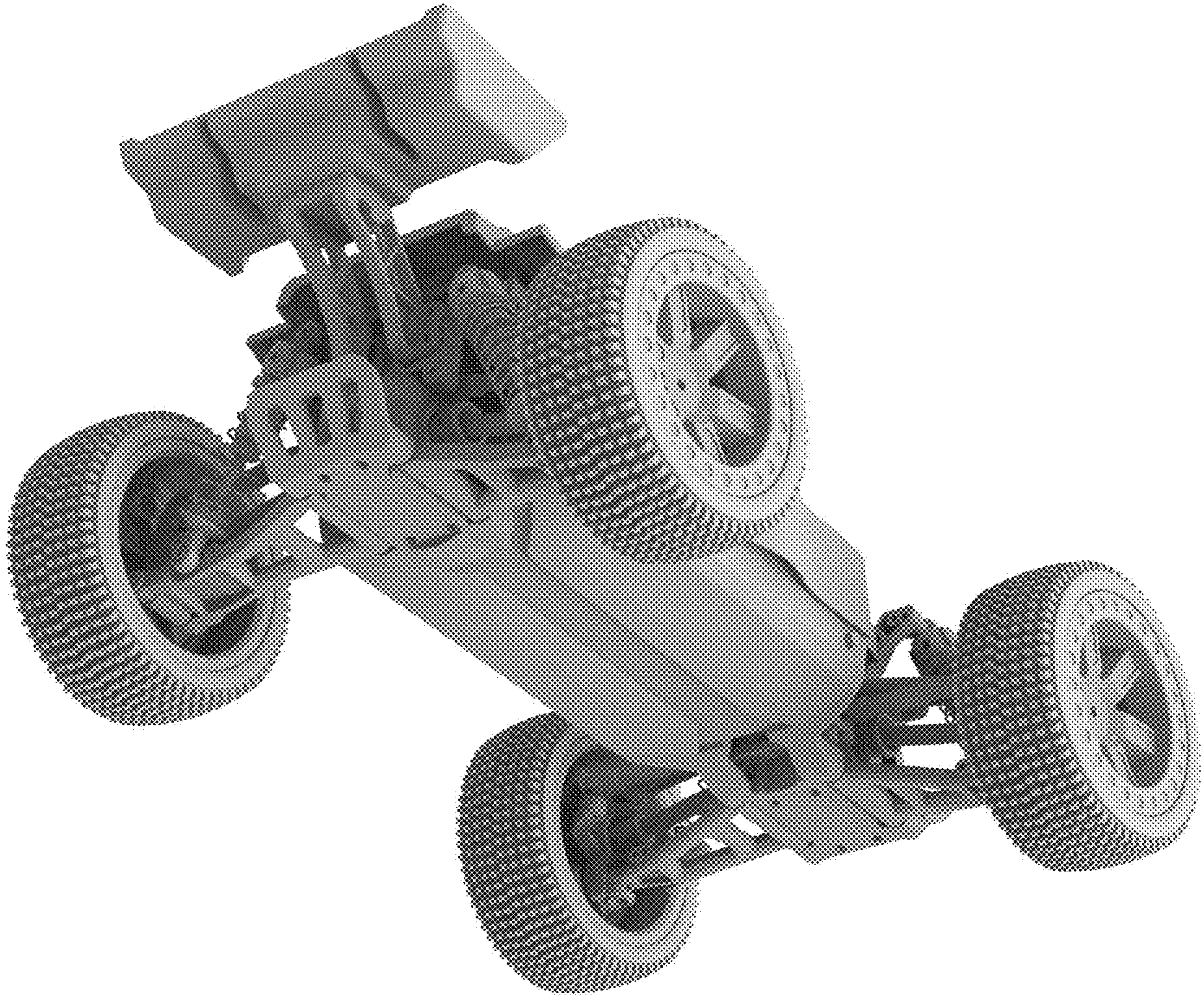


FIG. 2

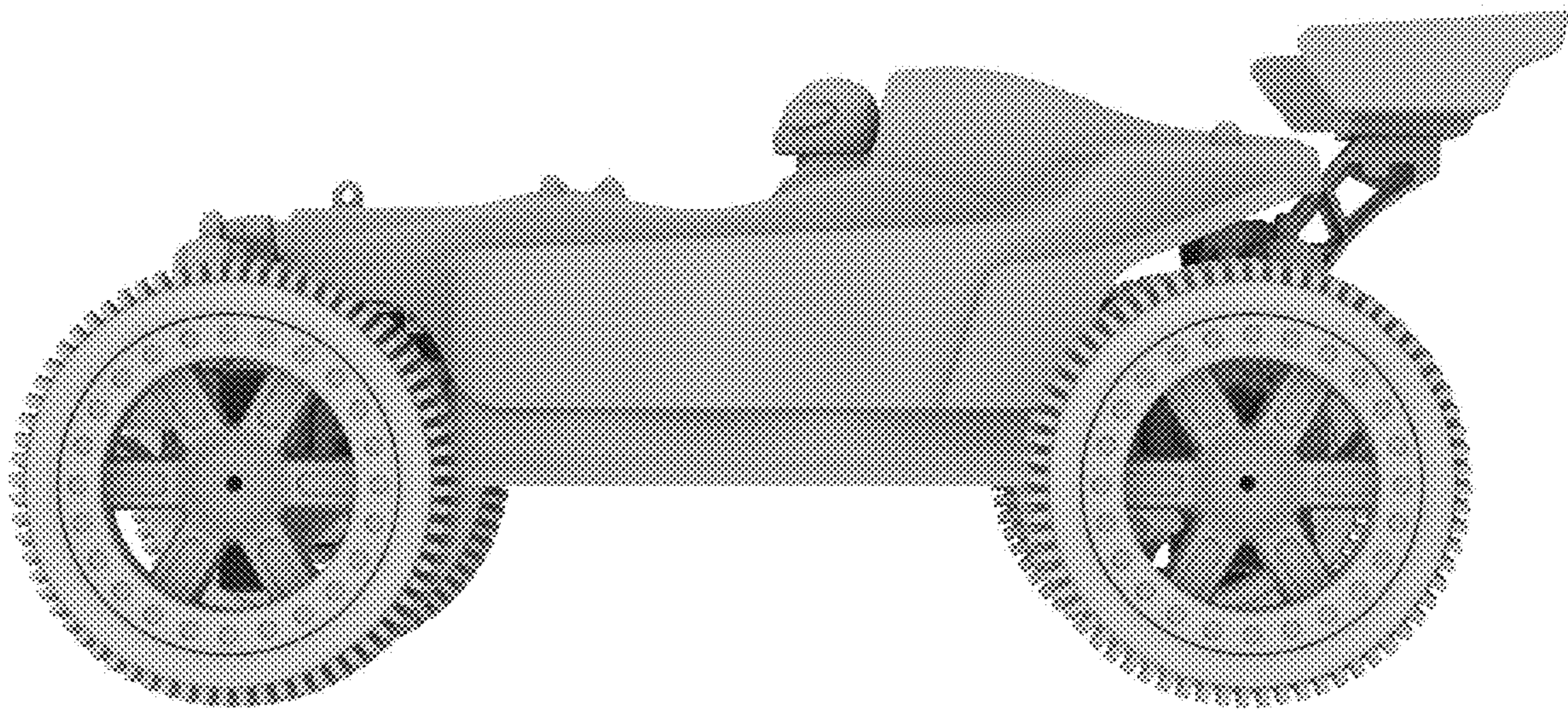


FIG. 3

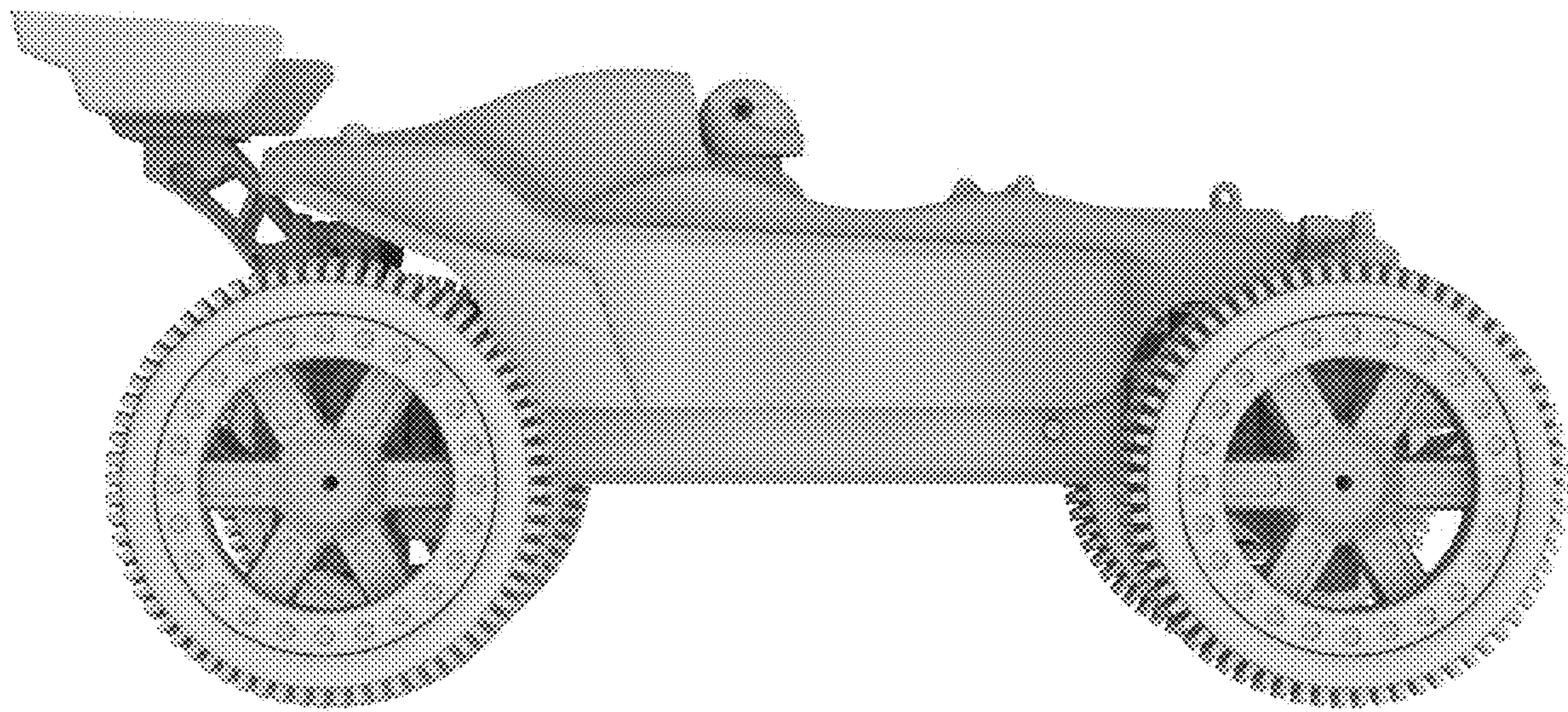


FIG. 4

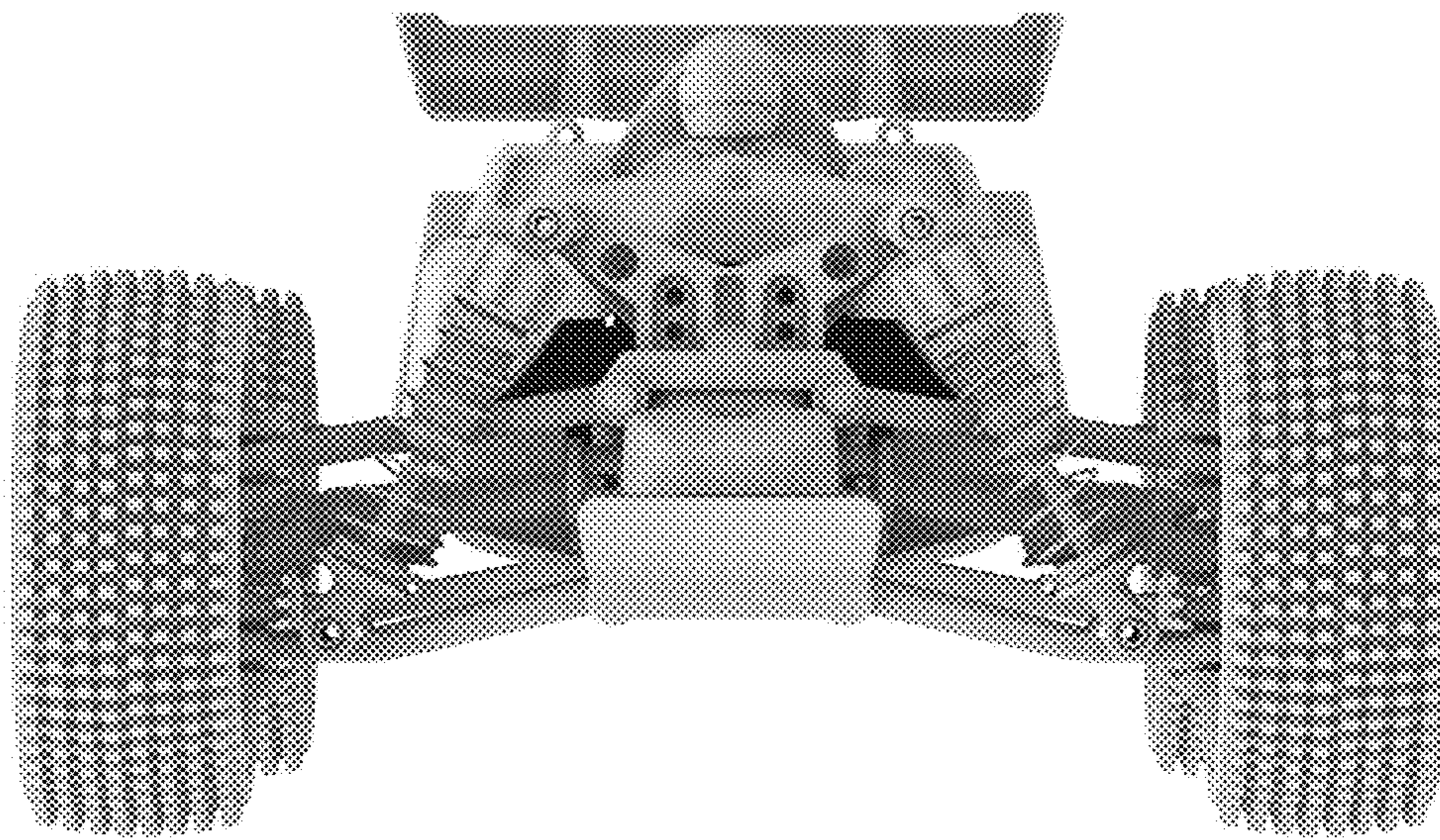


FIG. 5

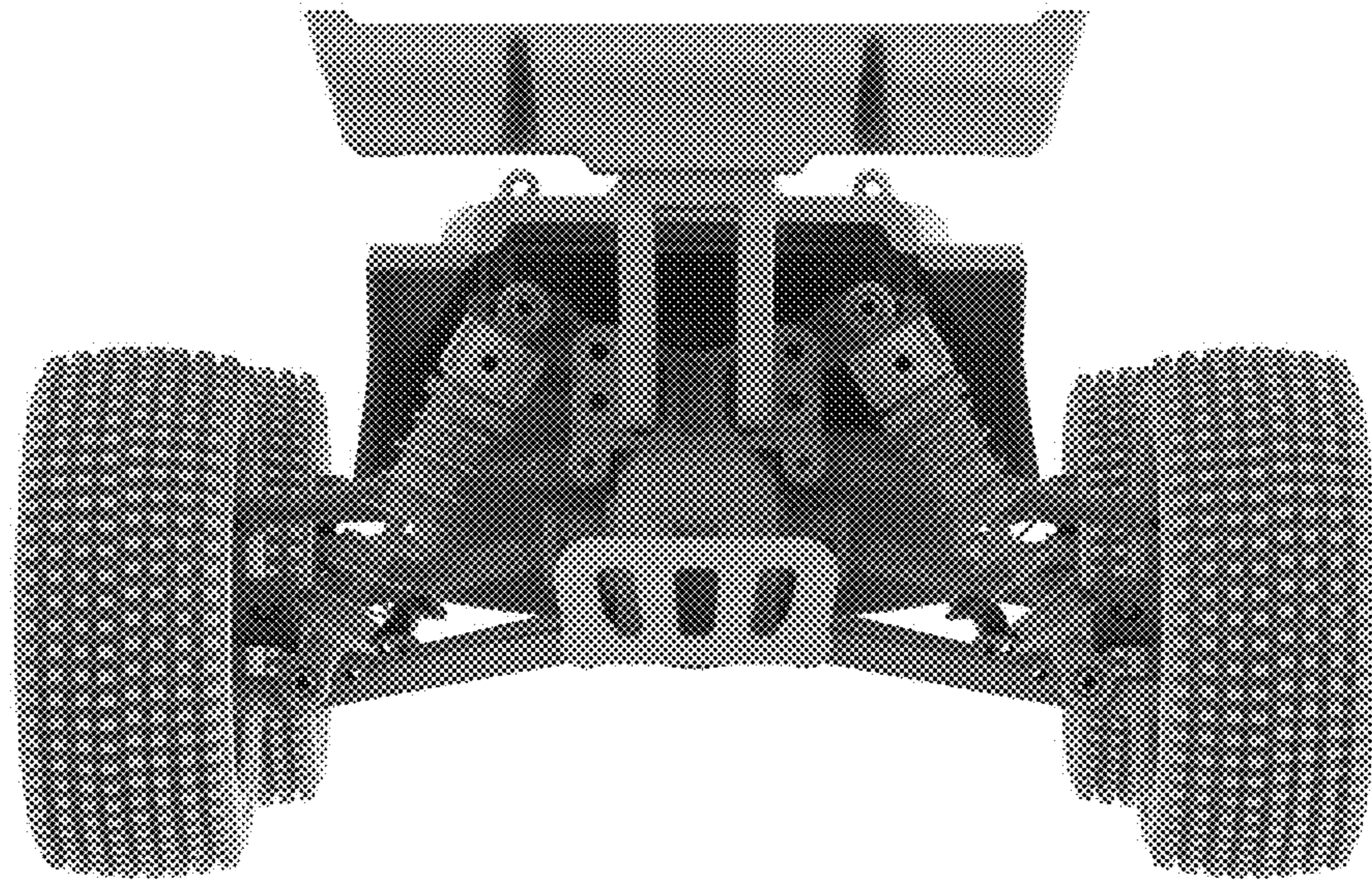


FIG. 6

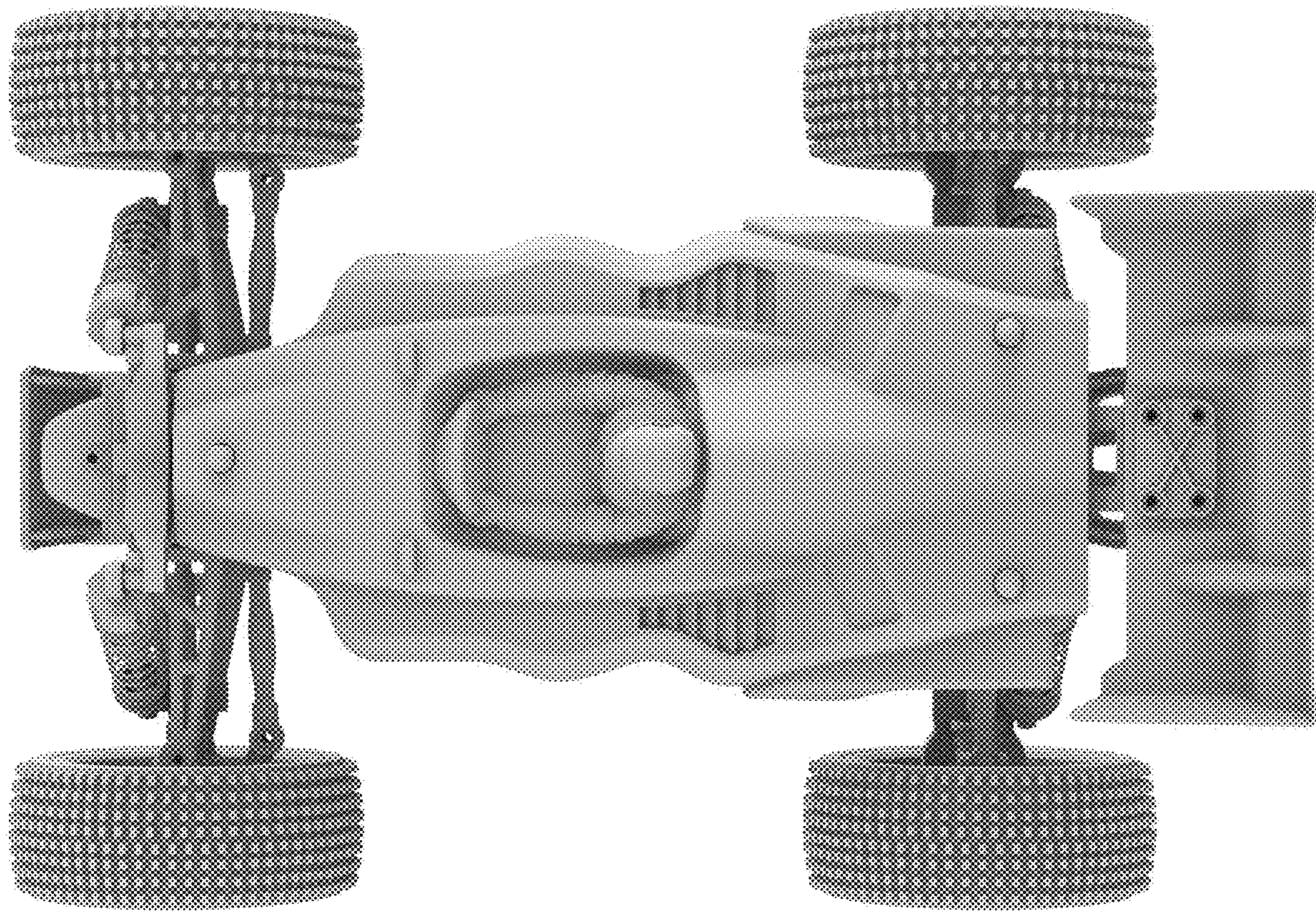


FIG. 7

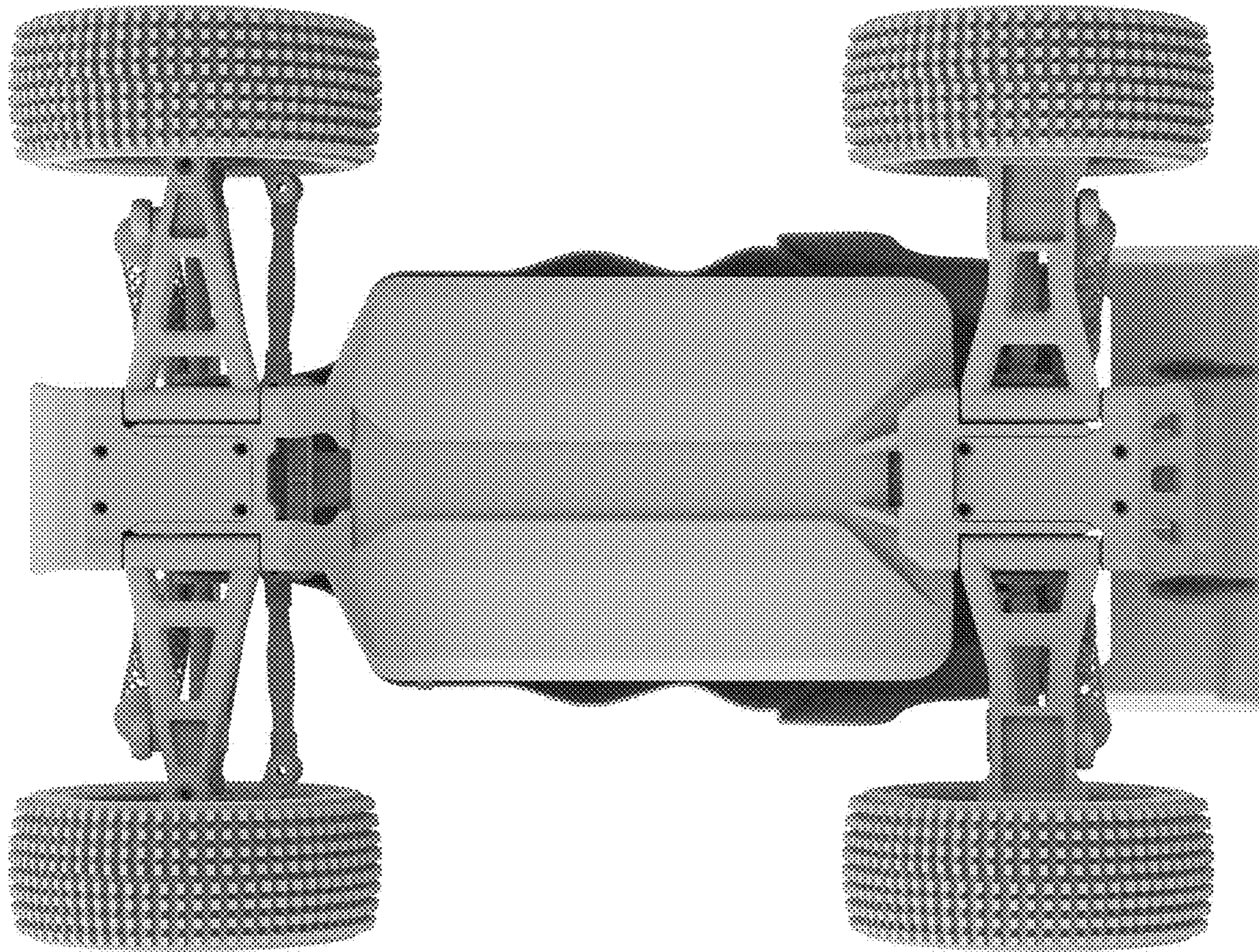


FIG. 8