



US00D952050S

(12) **United States Design Patent**
Gamble et al.

(10) **Patent No.:** **US D952,050 S**

(45) **Date of Patent:** **** May 17, 2022**

(54) **TOY VEHICLE**

(71) Applicants: **Spin Master Ltd.**, Toronto (CA); **Bbx Design Group Inc**, Humarock, MA (US)

(72) Inventors: **Lee Gamble**, Etobicoke (CA); **Chaitanya Dogra**, Oakville (CA); **Jason C. Lee**, Humarock, MA (US)

(73) Assignee: **SPIN MASTER, LTD.**, Toronto (CA)

(**) Term: **15 Years**

(21) Appl. No.: **29/718,934**

(22) Filed: **Dec. 30, 2019**

(51) **LOC (13) Cl.** **21-01**

(52) **U.S. Cl.**
USPC **D21/533**

(58) **Field of Classification Search**
USPC D21/433, 434, 483, 533-562; D12/82, D12/86, 90, 92; 446/431, 471, 454-456
CPC B62D 25/00; B62D 35/00; A63H 17/262; A63H 17/00; A63H 17/395; A63H 17/38; A63H 17/26; A63H 17/28; A63H 17/004; A63H 29/22

See application file for complete search history.

(56) **References Cited**

U.S. PATENT DOCUMENTS

1,542,139	A *	6/1925	Ives	A63H 19/22 105/157.2
3,000,137	A	9/1960	Vine		
3,816,958	A	6/1974	Winston		
D252,651	S *	8/1979	Tepper	D21/427
4,363,187	A	12/1982	Shinohara		
D281,000	S	10/1985	Kuna et al.		
D282,677	S *	2/1986	Arigaya	D21/562
4,591,346	A	5/1986	Ikeda		
D294,278	S *	2/1988	Ukisu	D21/560

4,894,042	A	1/1990	Kamikawa		
5,019,009	A	5/1991	Chao-Chin		
D322,102	S *	12/1991	Araki	D21/550
5,259,808	A	11/1993	Garr		

(Continued)

FOREIGN PATENT DOCUMENTS

CN	303692532	S	6/2016
CN	303692533	S	6/2016

(Continued)

OTHER PUBLICATIONS

Monster Jam, Official Grave Digger Remote Control Monster Truck, 1_10 Scale, Tin-Eye Date Aug. 27, 2019 [Online], [Site Visited Dec. 16, 2020] Available From Internet, URL in PDF (Year: 2019).*

(Continued)

Primary Examiner — Holly E Thurman
(74) *Attorney, Agent, or Firm* — Aird & McBurney LP

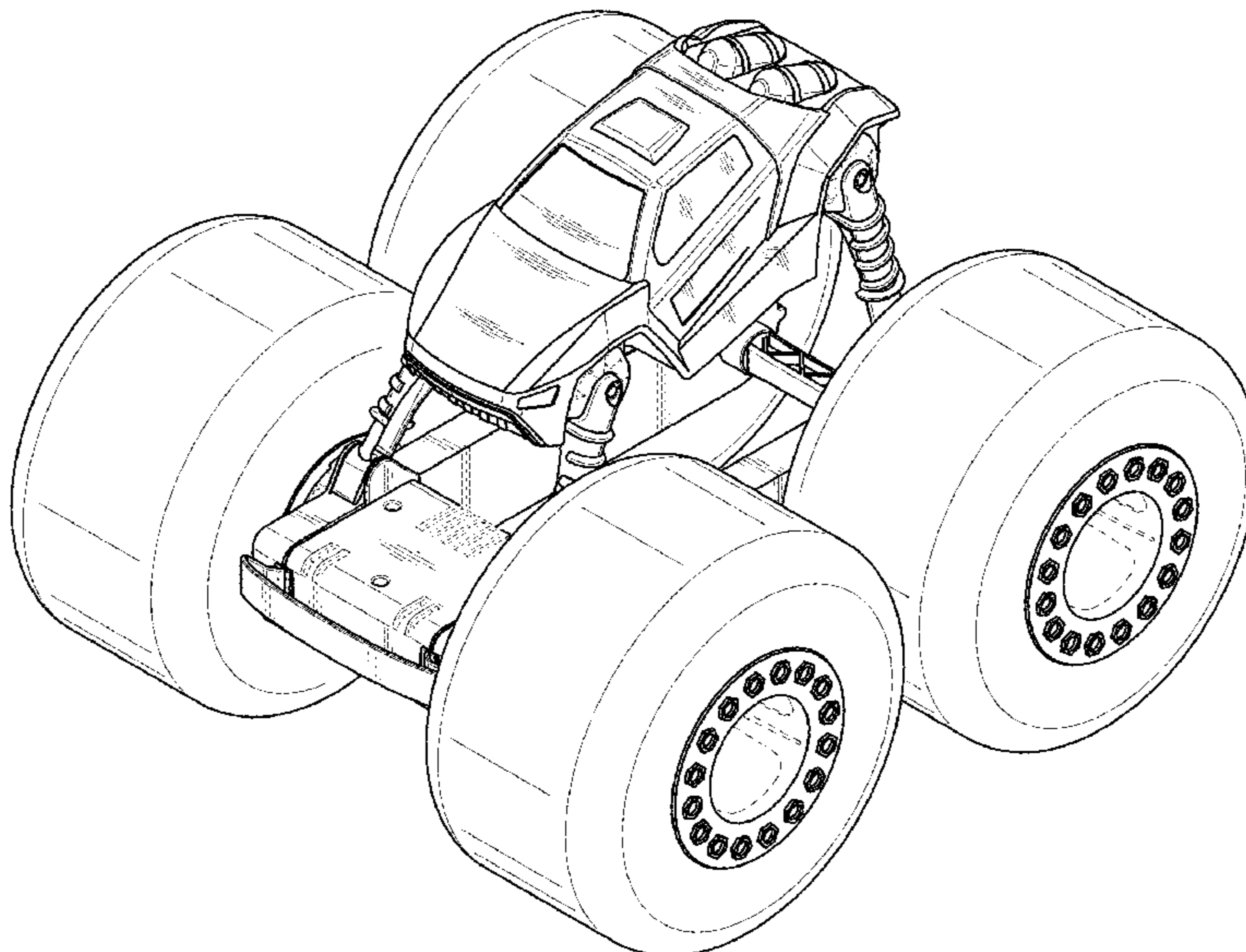
(57) **CLAIM**

The ornamental design for a toy vehicle, as shown and described.

DESCRIPTION

FIG. 1 is a perspective view from above, to the front and the left side of a new design for a toy vehicle;
FIG. 2 is a perspective view from below, to the rear and to the right side thereof;
FIG. 3 is a front elevation view thereof;
FIG. 4 is a rear elevation view thereof;
FIG. 5 is a right side elevation view thereof;
FIG. 6 is a left side elevation view thereof;
FIG. 7 is a top plan view thereof; and,
FIG. 8 is a bottom plan view thereof.
In the drawings, the broken lines are for the purpose of illustrating portions of the article that form no part of the claimed design.

1 Claim, 8 Drawing Sheets



(56)

References Cited

U.S. PATENT DOCUMENTS

5,307,890 A * 5/1994 Huang A63G 25/00
180/65.1

5,667,420 A 9/1997 Menow

D390,890 S * 2/1998 Lun D21/550

5,919,075 A 7/1999 George et al.

6,024,627 A 2/2000 Tilbor et al.

D428,076 S * 7/2000 Wise D21/548

6,095,890 A 8/2000 George

6,129,607 A 10/2000 Hoeting et al.

6,171,171 B1 * 1/2001 Barthold A63H 17/28
446/219

6,227,934 B1 5/2001 Isaksson et al.

D457,926 S * 5/2002 Zweiback D21/550

6,394,878 B1 * 5/2002 Wang A63H 17/262
446/454

6,749,482 B1 * 6/2004 Hollis A63H 17/002
446/466

6,764,374 B2 7/2004 Tilbor et al.

D534,593 S * 1/2007 Yuen D21/562

D534,967 S * 1/2007 Clark D21/562

7,261,615 B2 * 8/2007 Hoeting A63H 17/262
446/437

D577,083 S * 9/2008 Nakayama D21/562

D597,151 S * 7/2009 Ishikawa D21/562

D630,269 S * 1/2011 Matsuda D21/533

D639,351 S * 6/2011 Newmayer D21/533

8,038,504 B1 * 10/2011 Wong A63H 30/04
446/454

D677,344 S * 3/2013 Petersen D21/539

D677,345 S * 3/2013 Isted D21/551

D687,902 S * 8/2013 Hunt D21/533

D690,371 S * 9/2013 Kinney D21/548

D691,675 S * 10/2013 Kim D21/533

8,900,031 B2 12/2014 Benedict et al.

8,939,812 B2 1/2015 Chan et al.

9,283,489 B2 3/2016 Pischiera et al.

9,352,242 B2 5/2016 Rehkemper

D771,201 S * 11/2016 Tompkin D21/550

D771,202 S * 11/2016 Gan D21/552

9,573,072 B2 2/2017 Cai

D792,524 S * 7/2017 Lee D21/533

9,789,413 B2 10/2017 Erhart et al.

9,931,580 B2 4/2018 Rehkemper

D825,684 S * 8/2018 Gan D21/550

D825,685 S * 8/2018 Tompkin D21/550

D837,307 S * 1/2019 Jin D21/548

D838,320 S * 1/2019 Lee D21/533

D849,598 S * 5/2019 Schroeder D12/14

D868,905 S * 12/2019 Tompkin D21/550

D869,570 S * 12/2019 Barajas D21/548

D870,211 S * 12/2019 Wozniak D21/562

D876,555 S * 2/2020 Barajas D21/548

D879,212 S * 3/2020 Barajas D21/562

10,843,094 B1 * 11/2020 Balanchi A63H 30/04

D904,531 S * 12/2020 Barajas D21/552

2001/0044255 A1 * 11/2001 Lee A63H 17/004
446/469

2002/0137428 A1 9/2002 Tilbor et al.

2004/0082268 A1 4/2004 Choi

2005/0148282 A1 * 7/2005 Moll A63H 29/22
446/456

2008/0261487 A1 10/2008 Torres

2009/0149113 A1 * 6/2009 Lund A63H 17/004
446/454

2011/0054717 A1 3/2011 Yamauchi et al.

2012/0252314 A1 * 10/2012 Milne A63H 17/262
446/465

2012/0322341 A1 * 12/2012 Benedict A63H 17/40
446/437

2013/0252510 A1 9/2013 Wallace

2015/0137497 A1 5/2015 Pischiera et al.

2016/0129355 A1 5/2016 Erhart et al.

2017/0036127 A1 * 2/2017 Wang A63H 17/28

2018/0280820 A1 * 10/2018 Mucaro A63H 19/18

2018/0333649 A1 * 11/2018 Mucaro A63H 17/262

2019/0233035 A1 8/2019 Meager

2020/0368629 A1 * 11/2020 Moss A63H 17/004

FOREIGN PATENT DOCUMENTS

CN 304817527 S 9/2018

CN 305317772 * 8/2019

WO 01/72391 A1 10/2001

WO 2019/005727 A 1/2019

OTHER PUBLICATIONS

U.S. Appl. No. 16/723,986, Non-Final Office Action, USPTO dated Jul. 14, 2020.

Railey72, 'Paddle Tires and Dyable Wheels'. TamiyaClub, Jan. 6, 2008. Photograph retrieved from TamiyaClub online community [online], [retrieved on Jun. 27, 2019]. Retrieved from the Internet: <URL: [https://www.tamiyaclub.com/showroom_model.asp?cid=69701 &id=2467](https://www.tamiyaclub.com/showroom_model.asp?cid=69701&id=2467)>.

Screen captures from YouTube video clip entitled "New 3D Printed RC Car Tires—Driving on Water!!!," 2 pages, uploaded on Oct. 1, 2017 by user RCLifeOn. Retrieved from Internet: <<https://www.youtube.com/watch?v=YWZkXu0QfAo>>.

Hobbysoul 4pc RC 1/8 Paddles Buggy Tires Hex 17mm Wheels For Snow Sand Master Off Road Car. Photograph retrieved from Amazon.com product page [online], [retrieved on Jun. 27, 2019], Retrieved from the Internet: <URL: <https://www.amazon.com/hobbysoul-Paddles-Buggy-Wheels-Master/dp/B076NPQ41S>>.

Pro-Line Sling Shot 3.8" (Traxxas Style Bead) Sand Tires Mounted (2) PL1179-11. Photograph retrieved from EURO RC product page [online], [retrieved on Jun. 27, 2019]. Retrieved from the Internet: <URL: <https://www.eurorc.com/product/12376/pro-line-sling-shot-38-traxxas-style-bead-sand-tires-mounted-2>>.

RC Car 1/8 17mm Hex Hub Baja Buggy Snow Sand Paddle Tires Tyre and Wheels 82-807. Photograph retrieved from AliExpress product page [online], [retrieved on Jun. 27, 2019]. Retrieved from the Internet <URL: <https://www.aliexpress.com/item/32824988993.html>>.

Traxxas X-MAXX Paddle Wheels That Give You The Ability to Go Across Water with Your Truck. Everyone Has Seen The Video and These Tires and Wheels are What Make It Happen. Photograph retrieved from Amazon.com product page [online], [originally retrieved on Jun. 27, 2019]. Retrieved from the Internet: <URL: <https://www.amazon.com/TRAXXAS-X-MAXX-PADDLE-ABILITY-EVERY-ONE/dp/B071WQ8H9X>>.

* cited by examiner

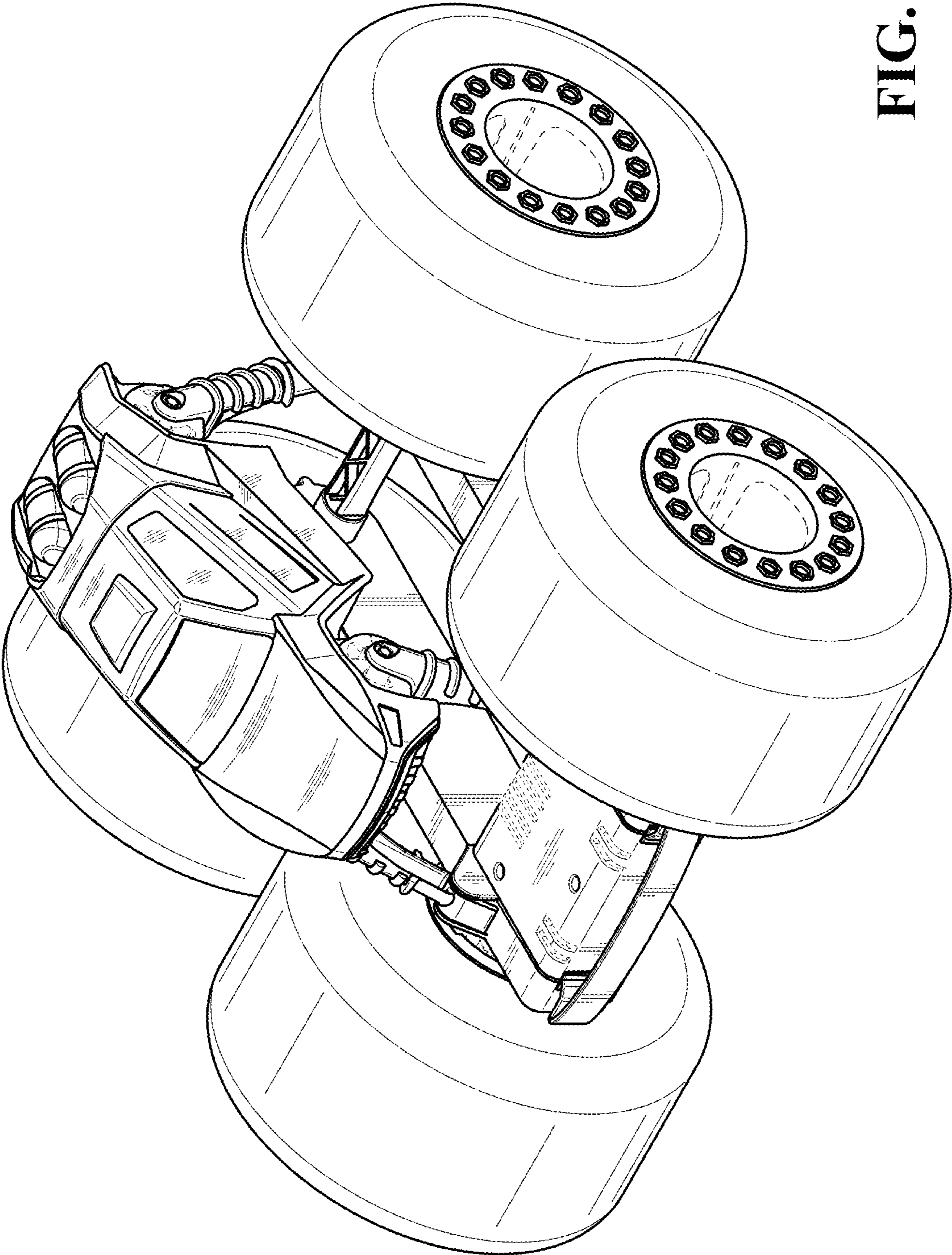


FIG. 1

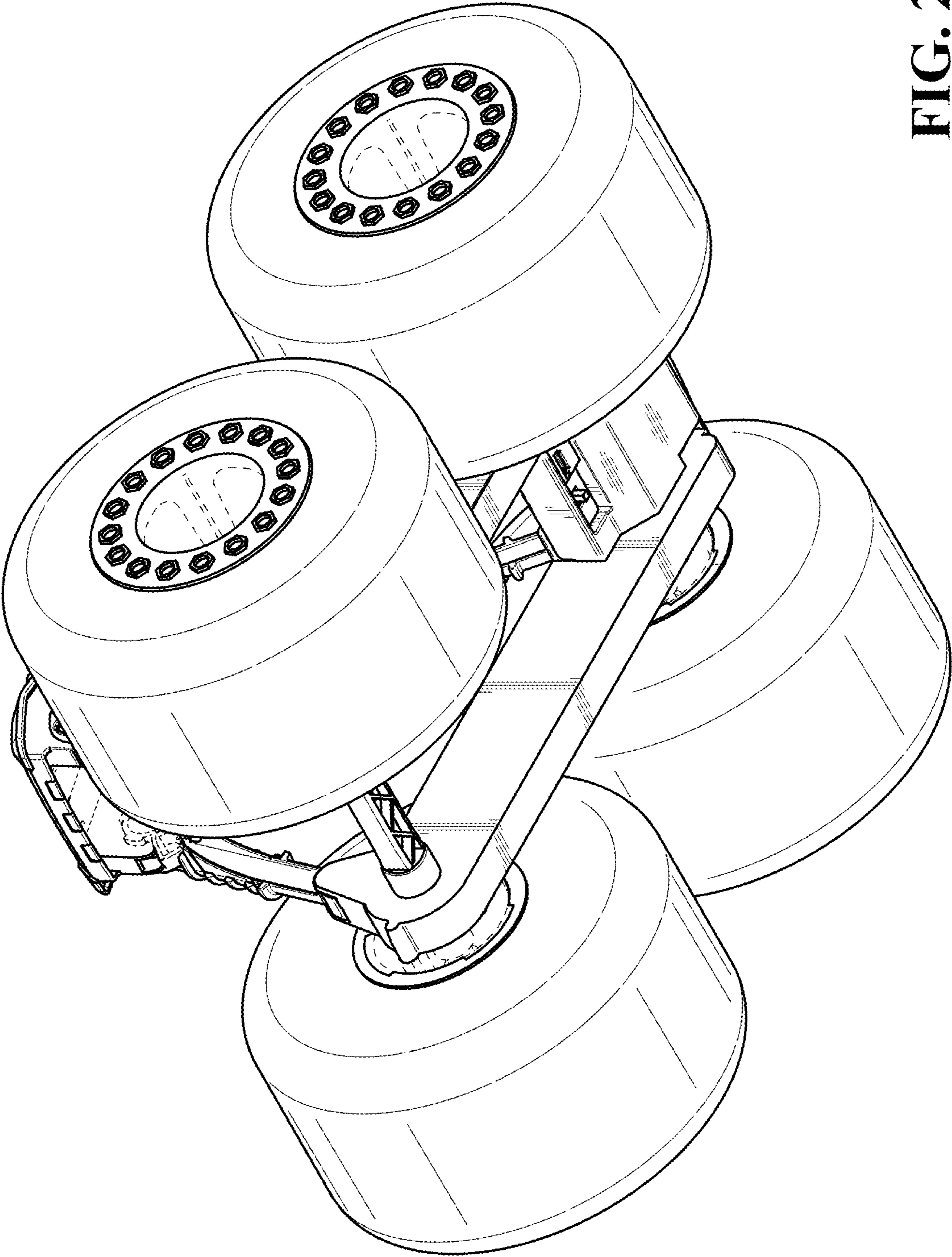


FIG. 2

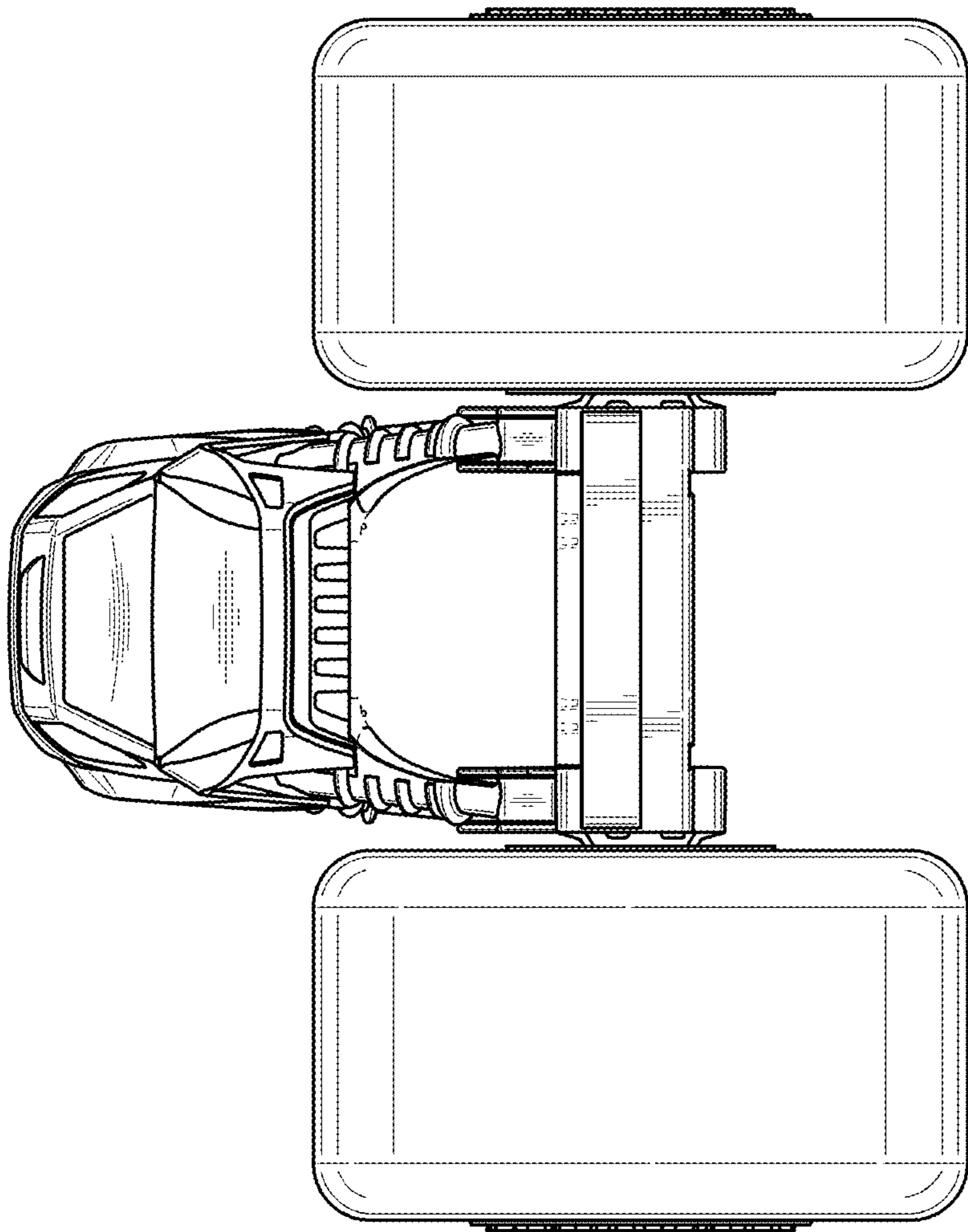


FIG. 3

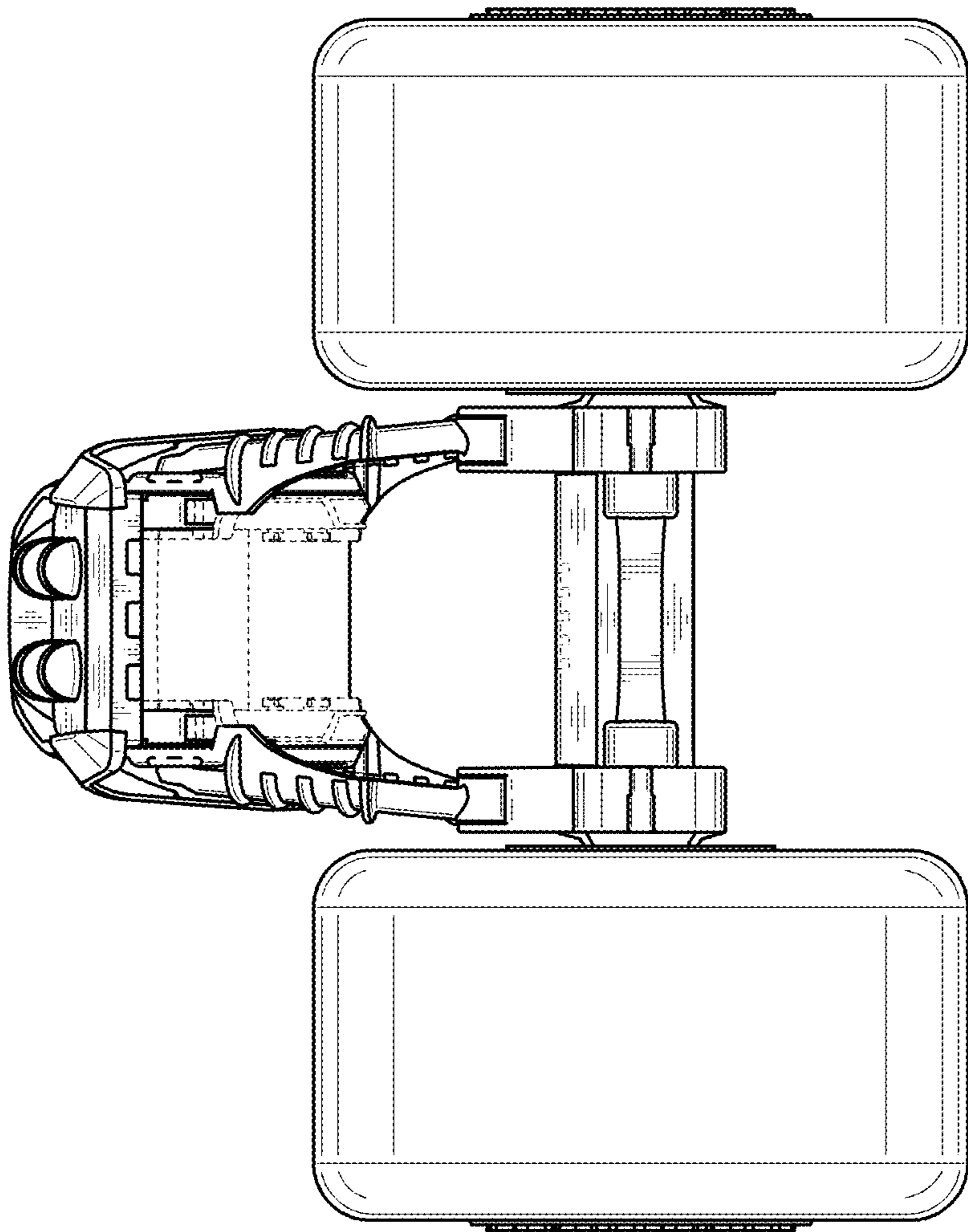


FIG. 4

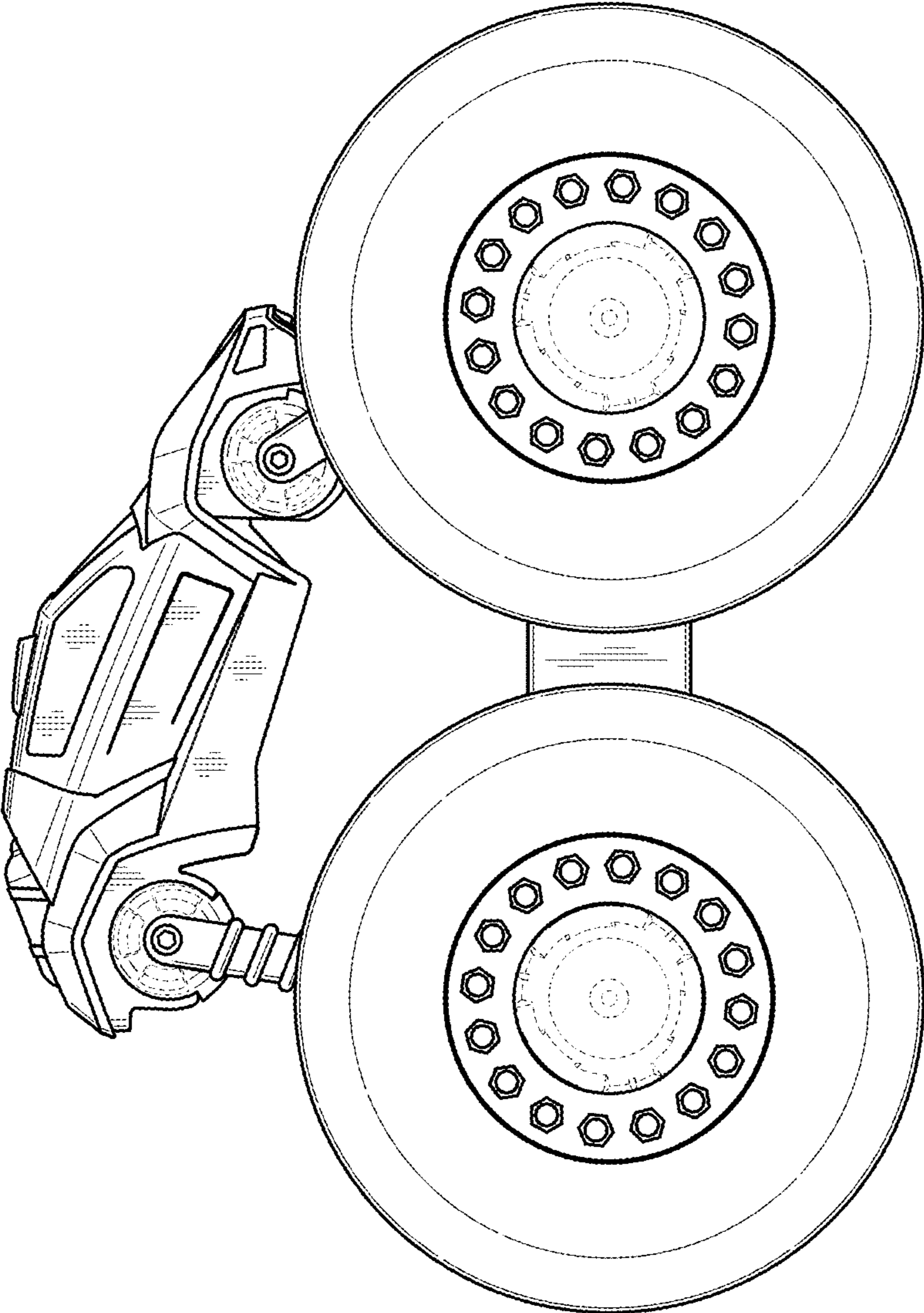


FIG. 5

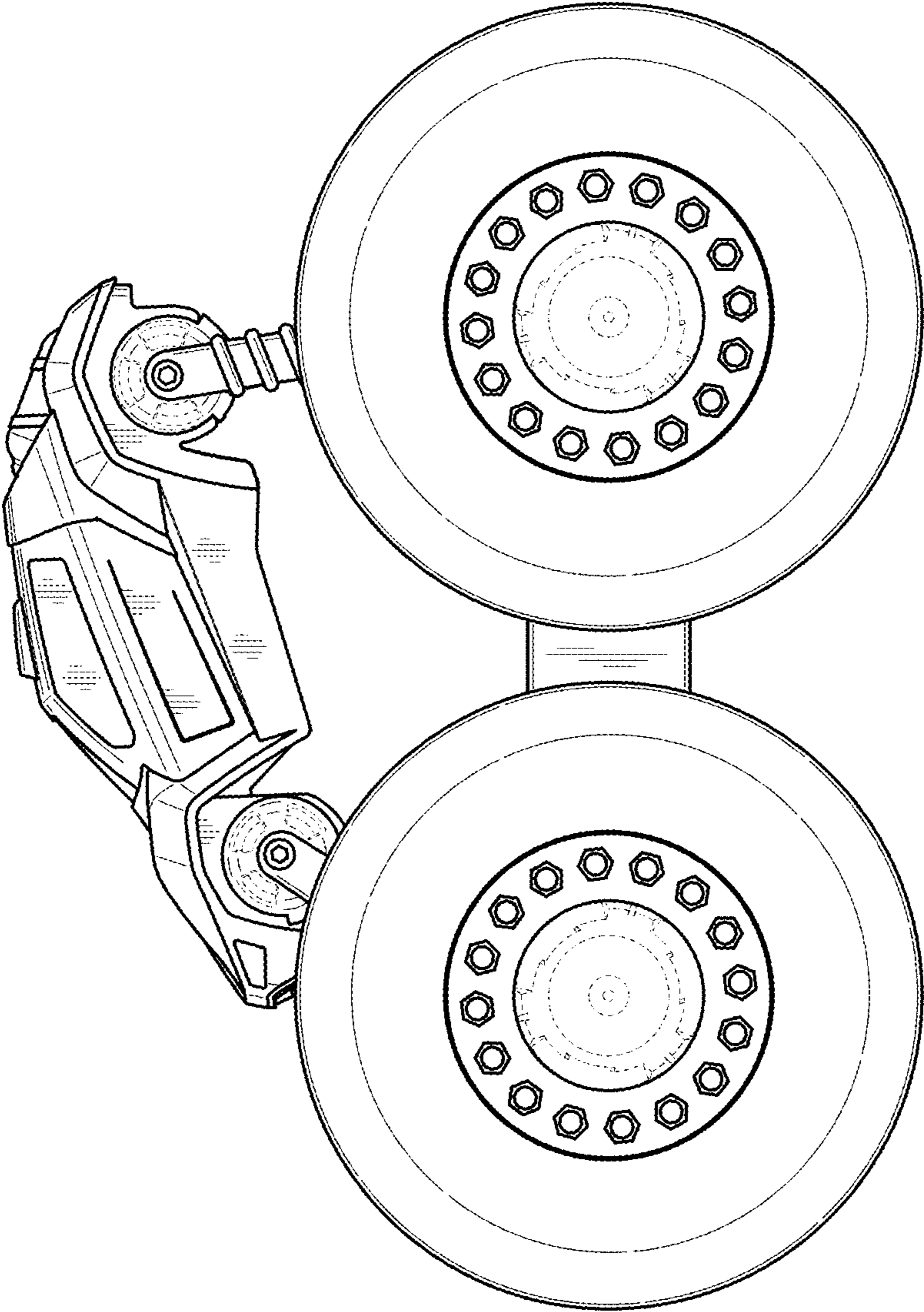


FIG. 6

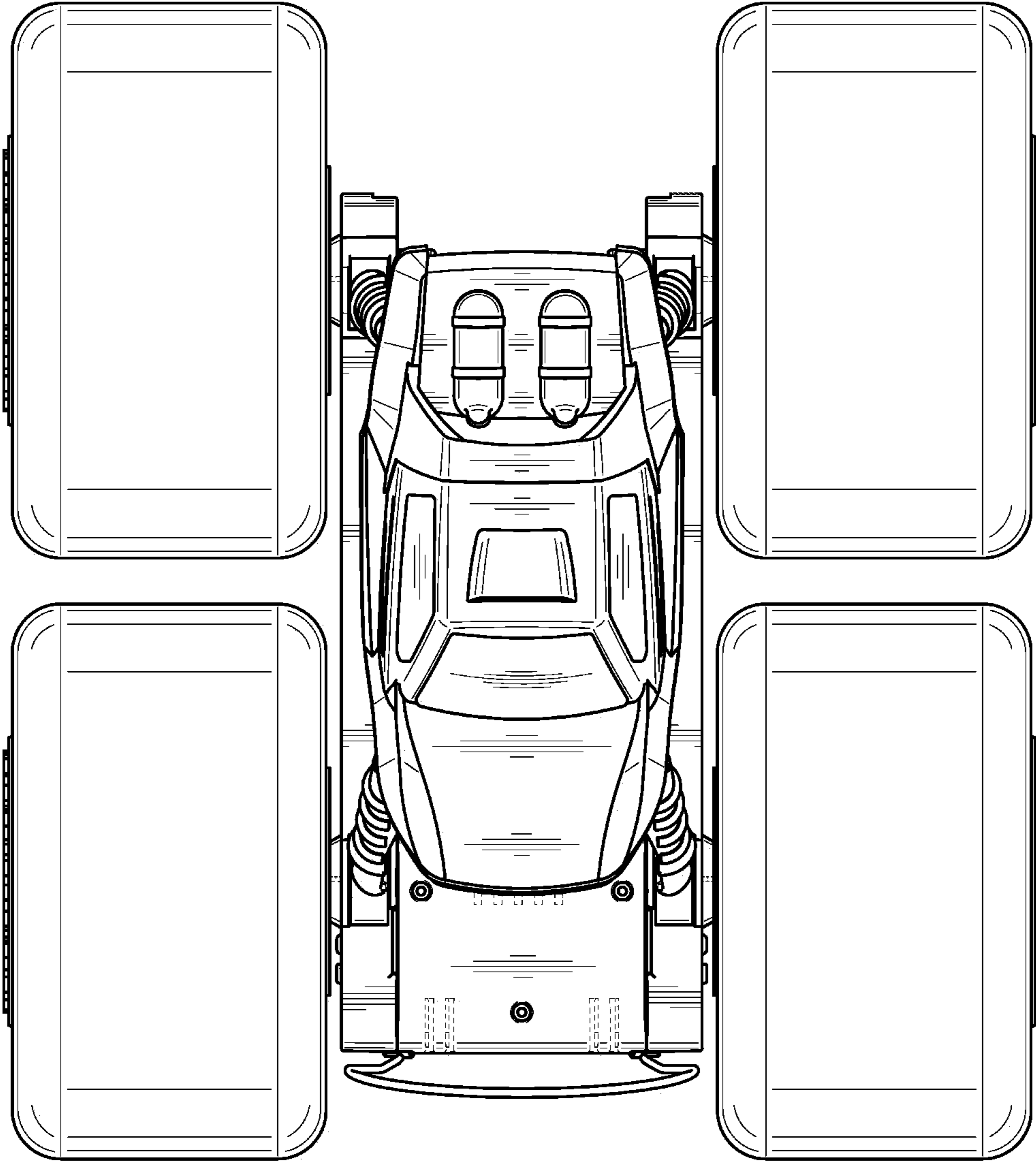


FIG. 7

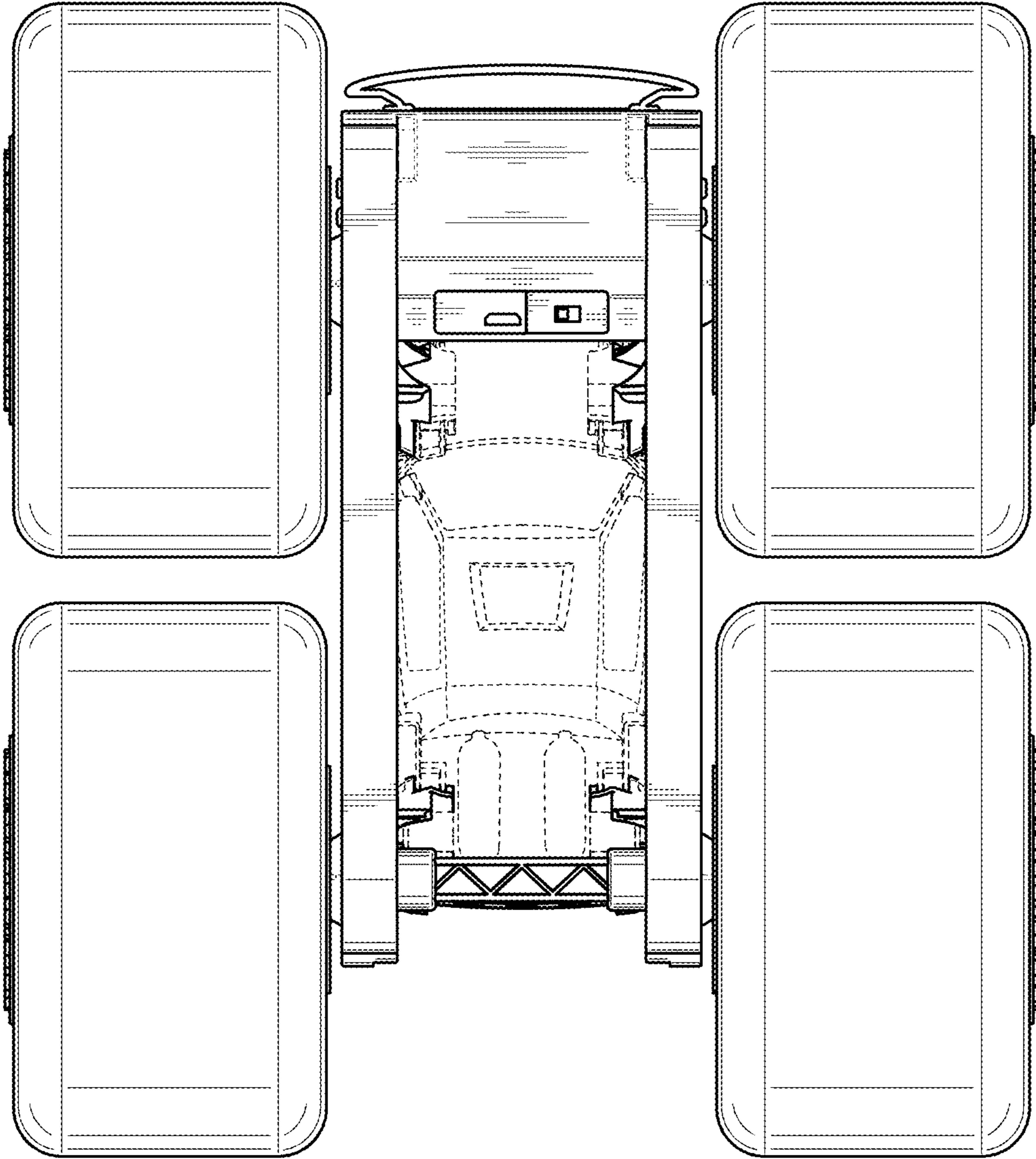


FIG. 8