



US00D952049S

(12) **United States Design Patent** (10) **Patent No.:** **US D952,049 S**  
**Yang** (45) **Date of Patent:** **\*\* May 17, 2022**

(54) **BUILDING BLOCK TABLE**

FOREIGN PATENT DOCUMENTS

(71) Applicant: **Liqing Yang**, Shantou (CN)

CN 306250155 \* 12/2020  
CN 306262631 \* 1/2021

(72) Inventor: **Liqing Yang**, Shantou (CN)

OTHER PUBLICATIONS

(\*\*) Term: **15 Years**

Hometall Blocks Table, cust reviews 2021, site visited Mar. 17, 2022, <https://www.amazon.com/Activity-Toddlers-Building-Children-Compatible/dp/B08JPPVK8> . . . \*

(21) Appl. No.: **29/797,978**

(22) Filed: **Jul. 5, 2021**

\* cited by examiner

(51) **LOC (13) Cl.** ..... **21-01**

*Primary Examiner* — John R Yeh

(52) **U.S. Cl.**  
USPC ..... **D21/522**

(58) **Field of Classification Search**  
USPC ..... D21/522, 349, 397, 784  
CPC ..... A47B 13/003; A47B 3/06; A47D 3/00  
See application file for complete search history.

(57) **CLAIM**

The ornamental design for a building block table, as shown and described.

(56) **References Cited**

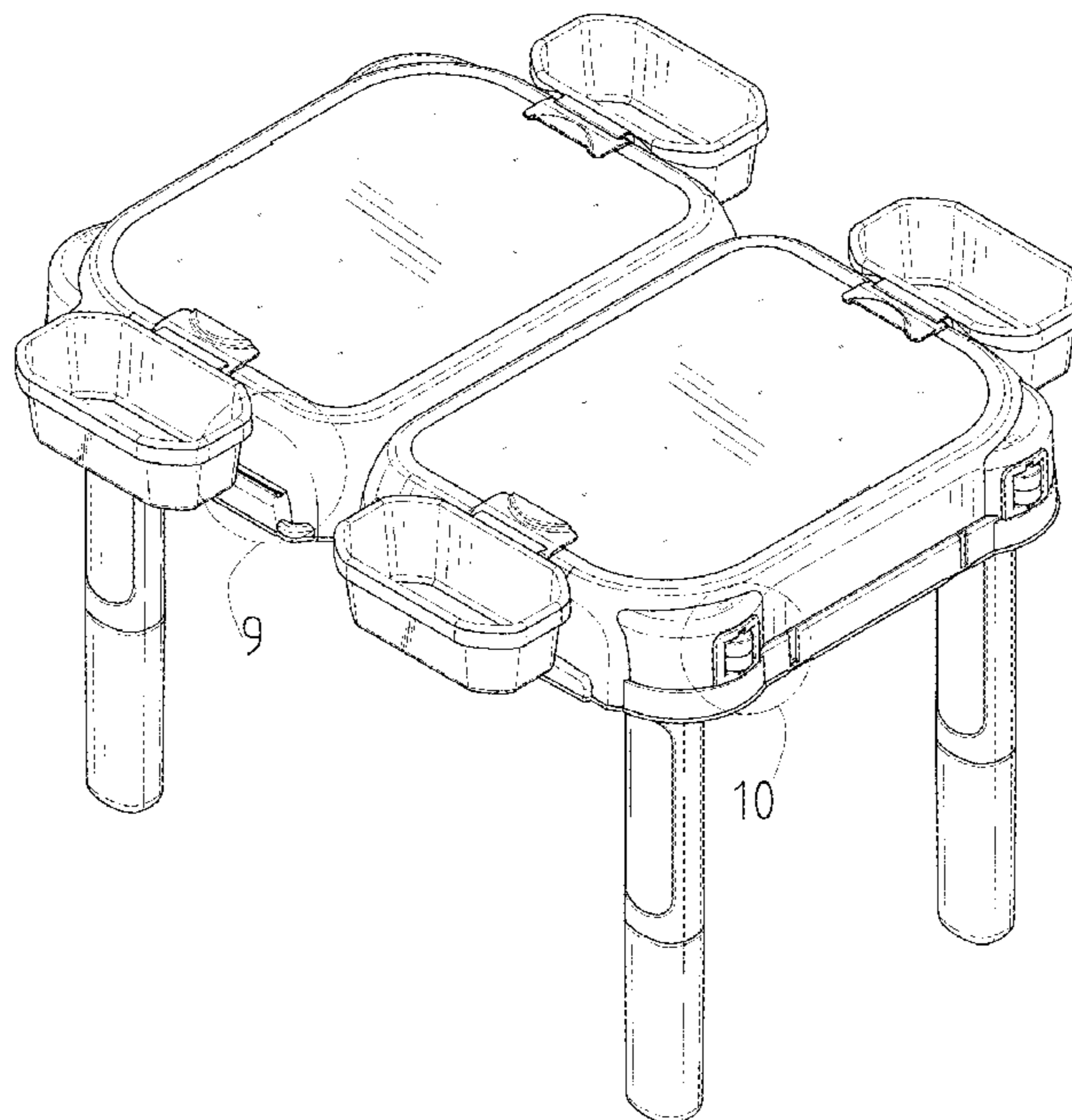
**DESCRIPTION**

U.S. PATENT DOCUMENTS

3,899,178	A *	8/1975	Watanabe	.....	A63F 9/28 273/144 A
D326,295	S *	5/1992	Monneret	.....	D21/522
D327,185	S *	6/1992	Ryaa	.....	D7/332
D350,247	S *	9/1994	Buske	.....	D21/522
D358,511	S *	5/1995	Frahm	.....	D21/522
D362,142	S *	9/1995	Lee	.....	D21/522
D368,189	S *	3/1996	Bro	.....	D21/522
D382,144	S *	8/1997	Lo	.....	D21/522
D464,089	S *	10/2002	Studebaker	.....	D21/522
D573,664	S	7/2008	Lu		
D588,373	S *	3/2009	Rushton	.....	D6/406.6
D624,606	S	9/2010	Carmack		
8,430,772	B1 *	4/2013	Jones	.....	A63B 67/04 473/496
8,528,489	B2 *	9/2013	Roy	.....	A47B 3/06 108/125
D921,771	S	6/2021	Lo		
D936,758	S *	11/2021	Chen	.....	D21/552

FIG. 1 is a first perspective view of a building block table showing my new design;  
FIG. 2 is a second perspective view thereof;  
FIG. 3 is a front view thereof;  
FIG. 4 is a back view thereof;  
FIG. 5 is a left side view thereof;  
FIG. 6 is a right side view thereof;  
FIG. 7 is a top view thereof;  
FIG. 8 is a bottom view thereof;  
FIG. 9 is an enlarged view of the selected portion in FIG. 1;  
FIG. 10 is an enlarged view of the selected portion in FIG. 1; and,  
FIG. 11 is an enlarged view of the selected portion in FIG. 2.  
The broken lines shown in the drawings depict portions of the building block table in which the design is embodied that form no part of the claimed design.

**1 Claim, 11 Drawing Sheets**



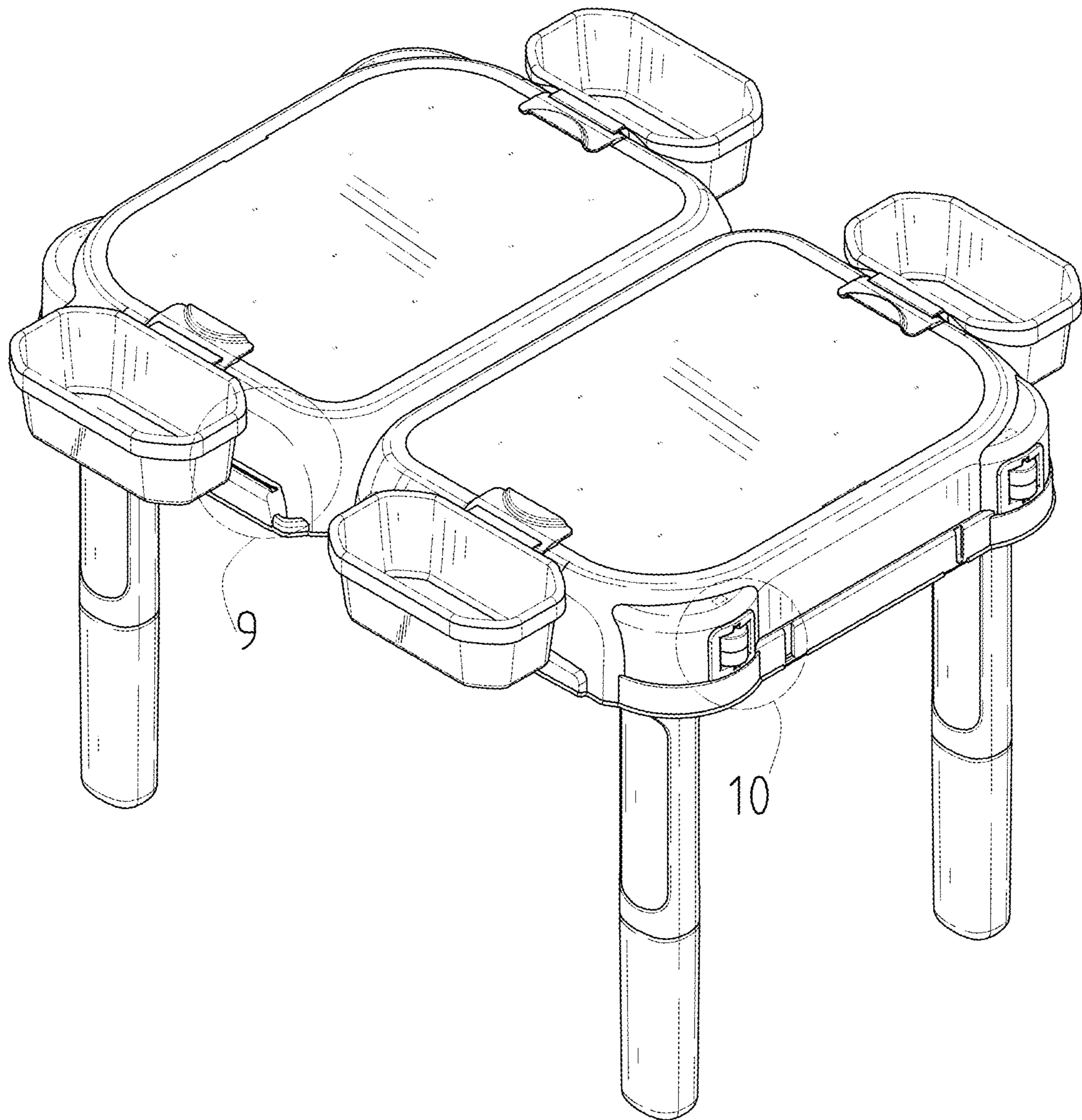


FIG. 1

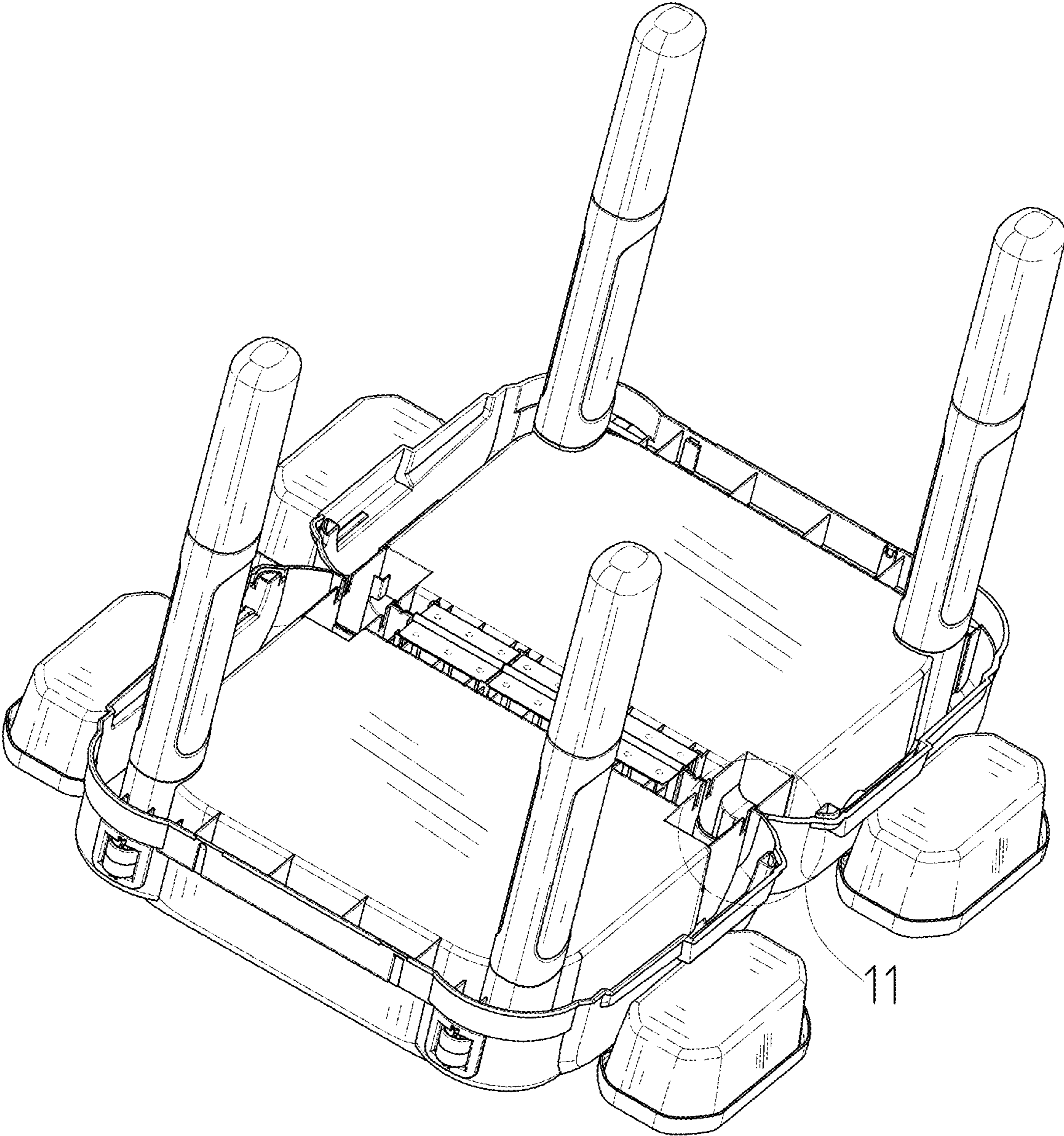


FIG. 2

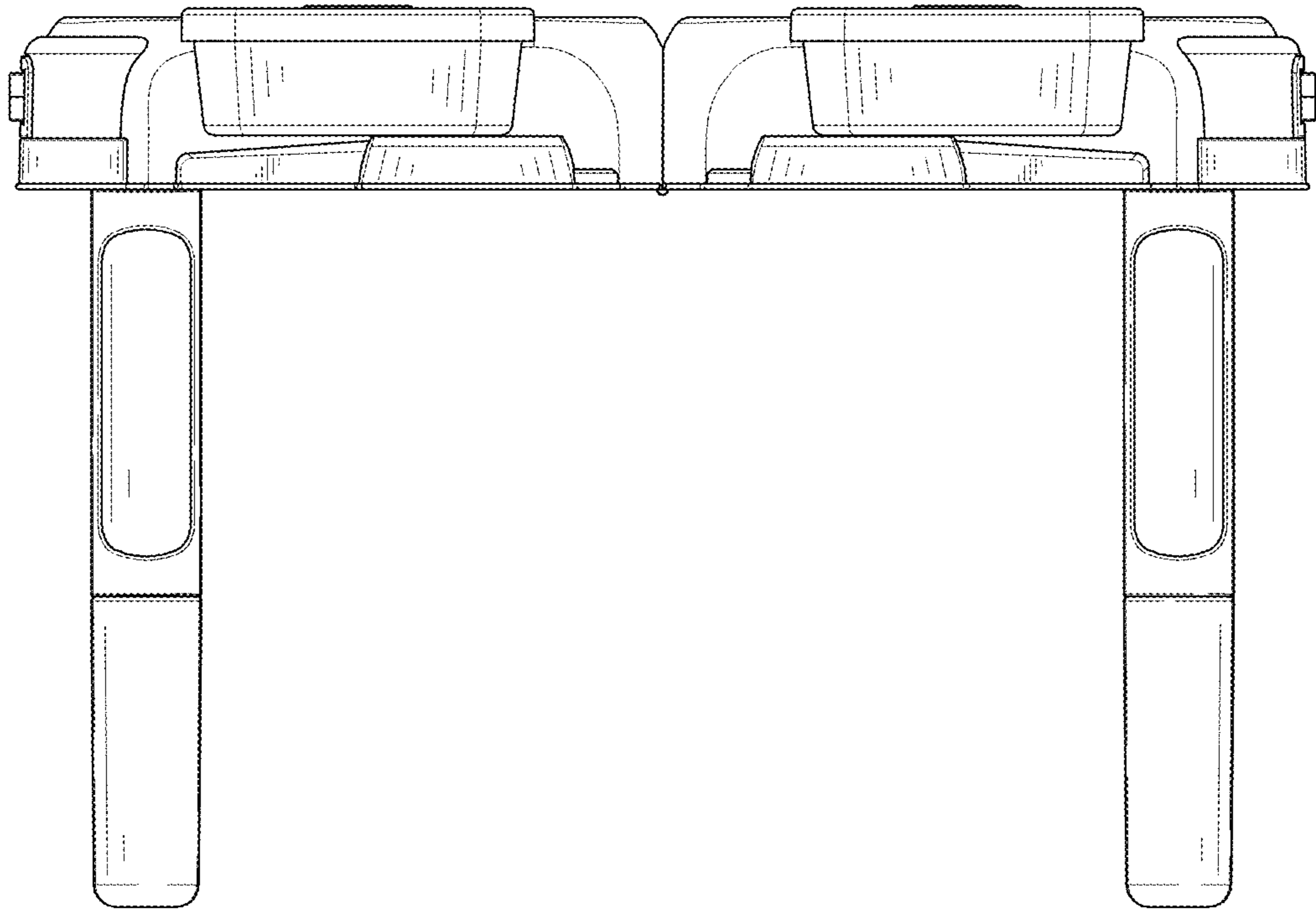


FIG. 3

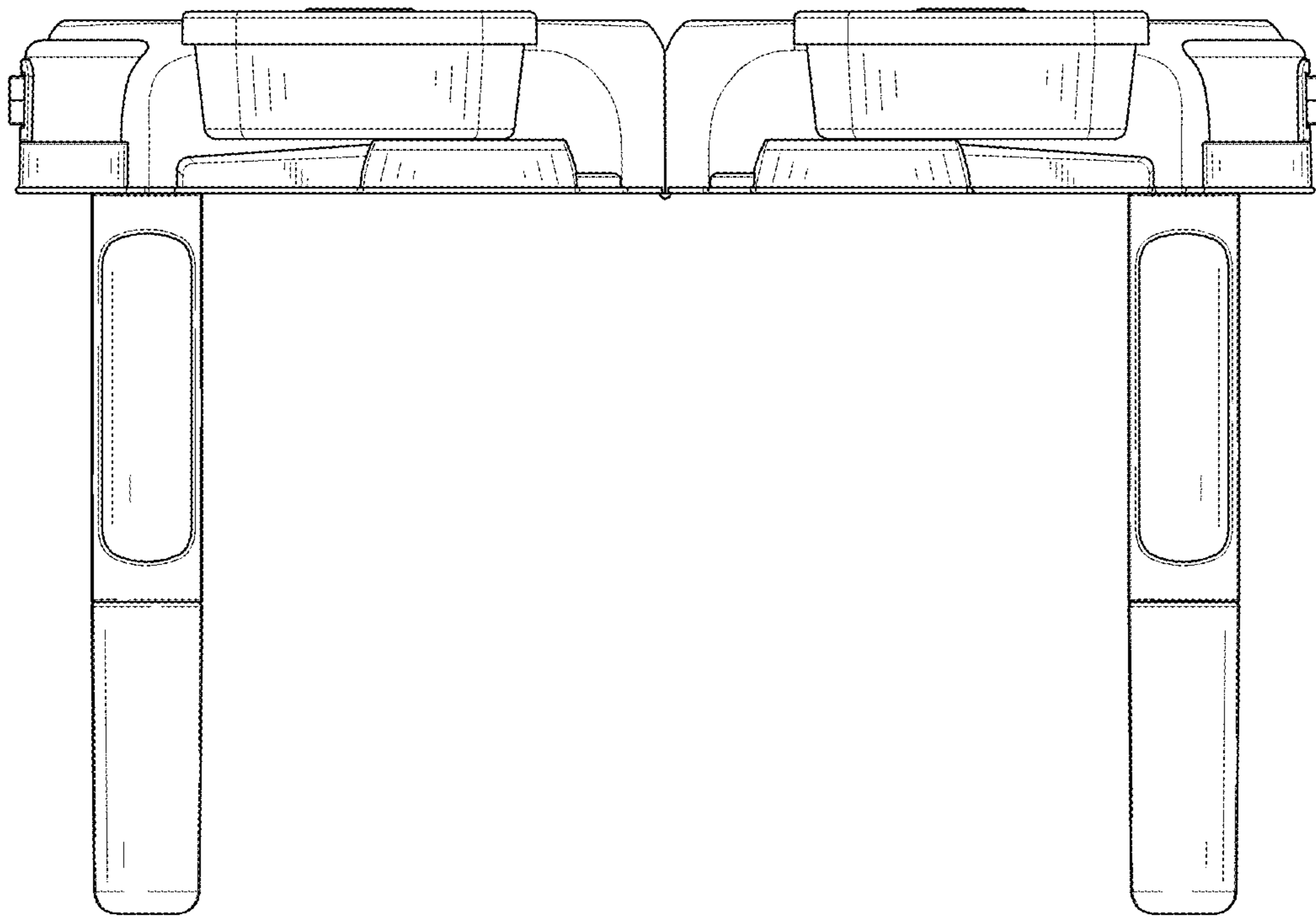


FIG. 4

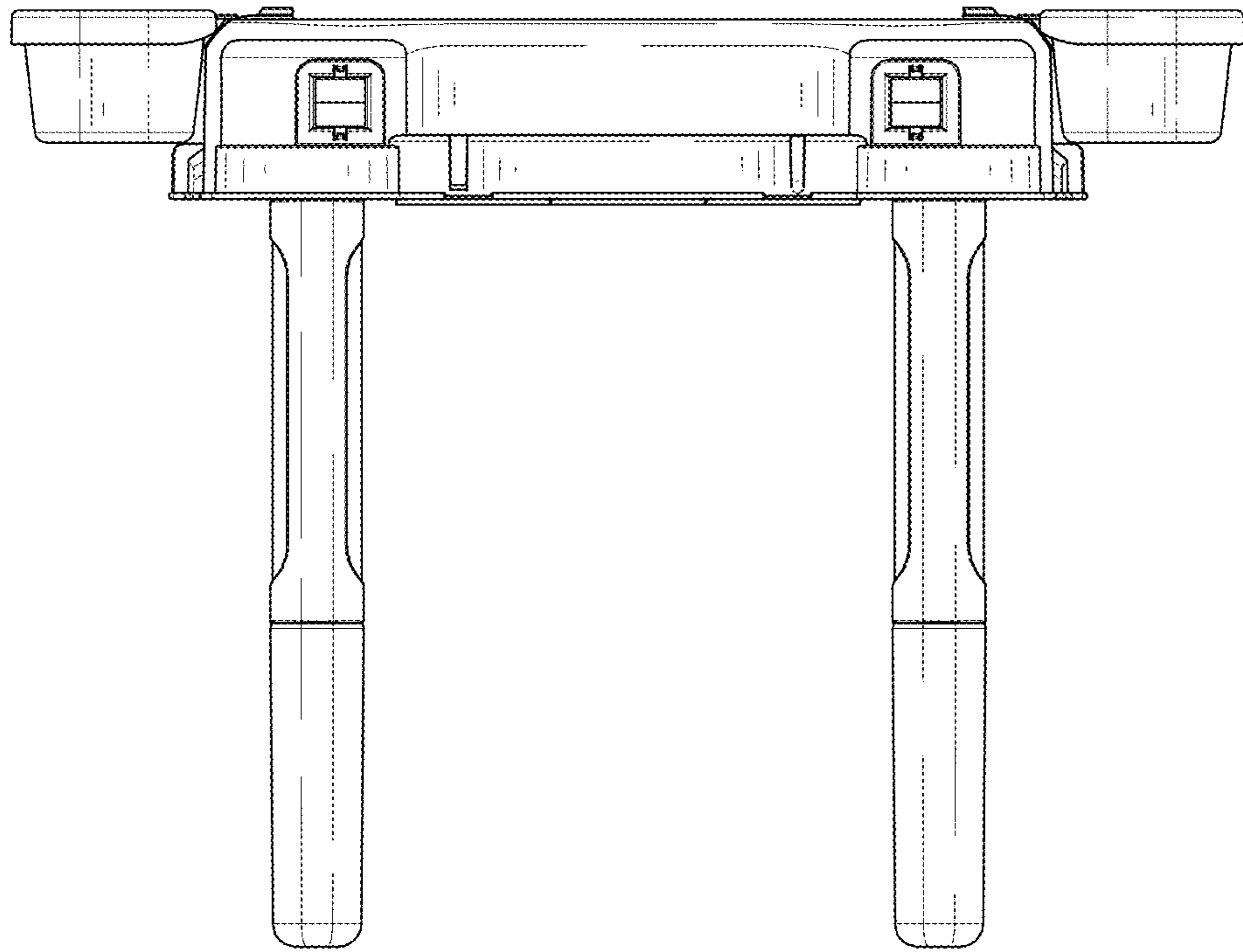


FIG. 5

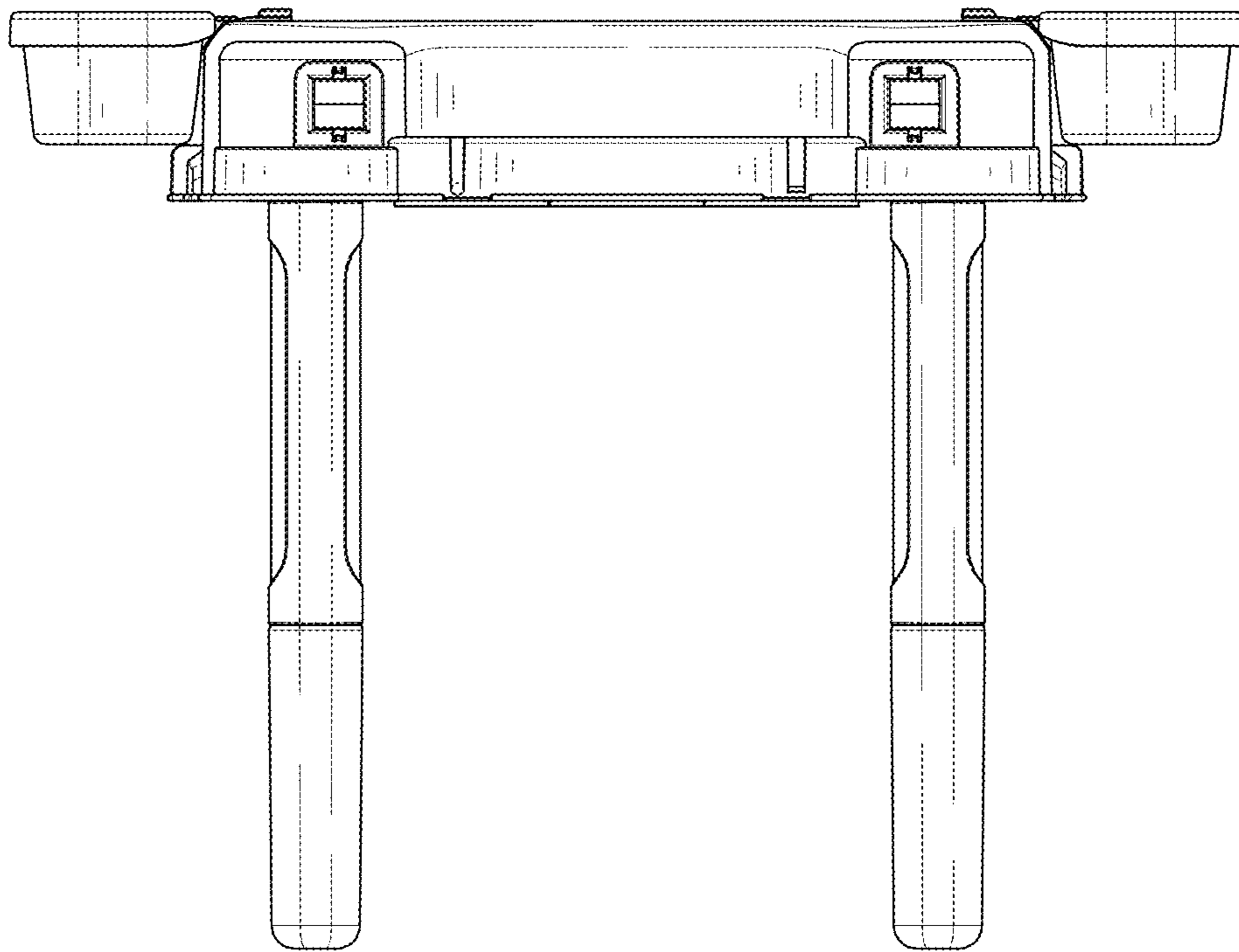


FIG. 6

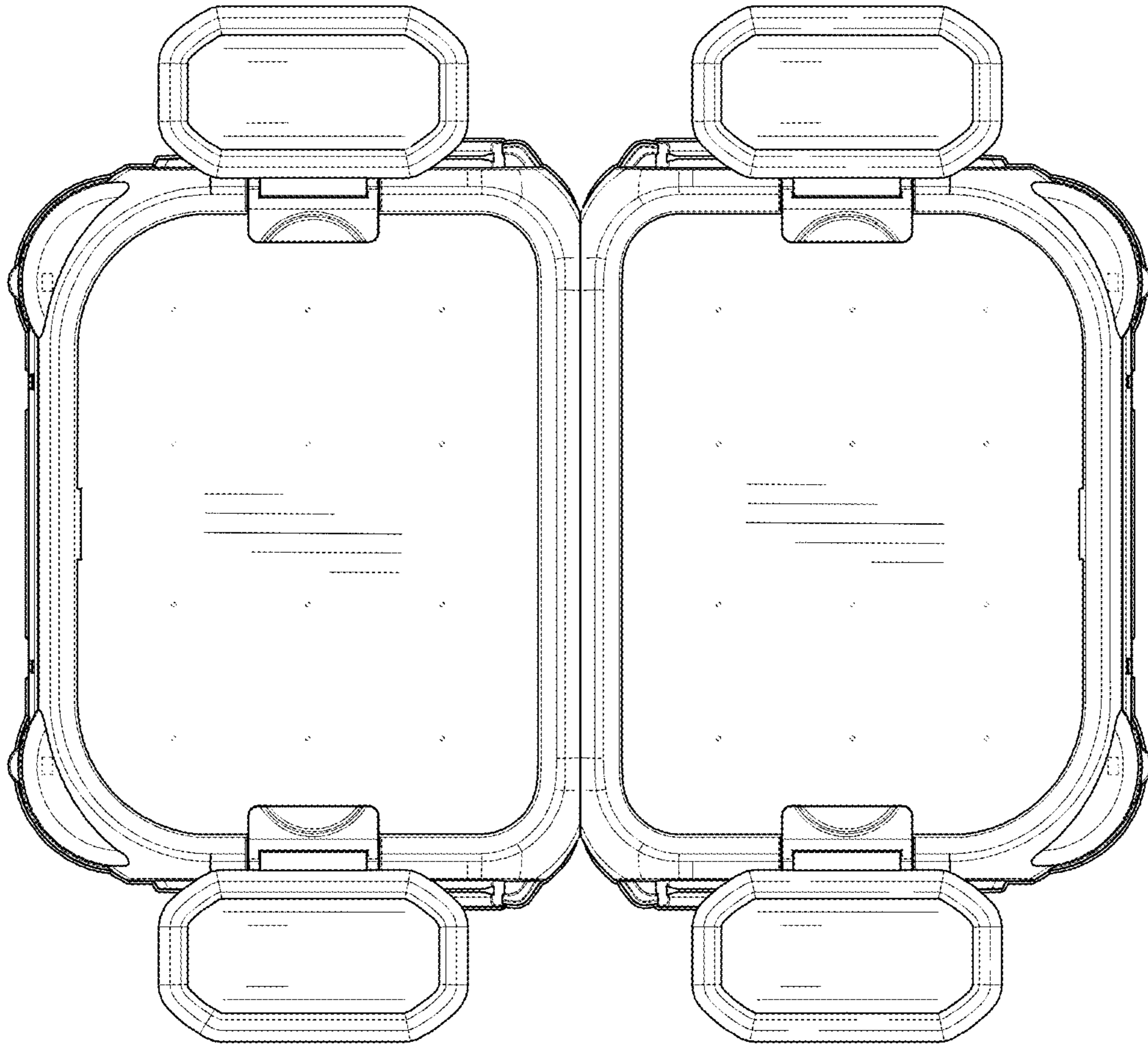


FIG. 7



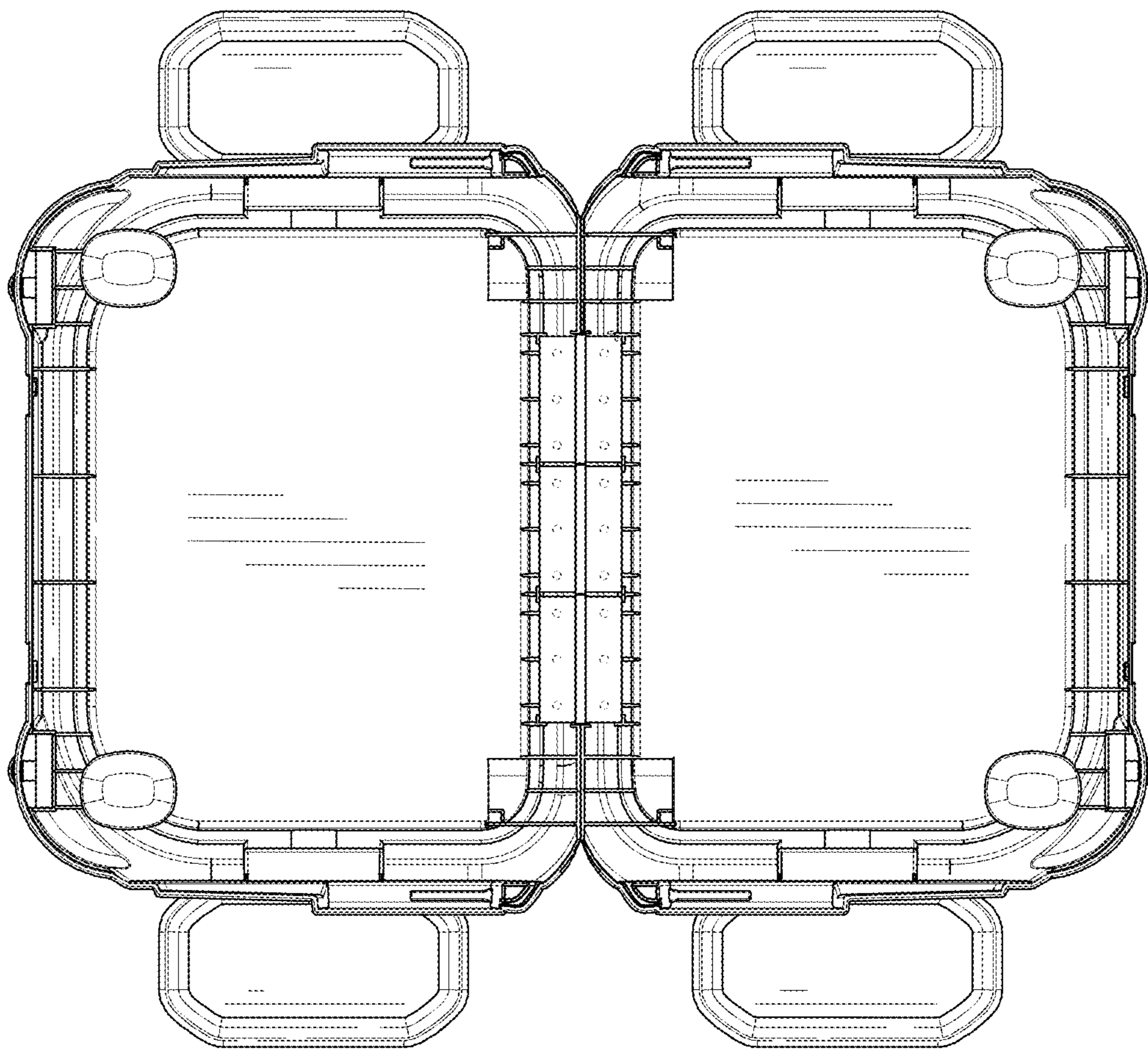


FIG. 8

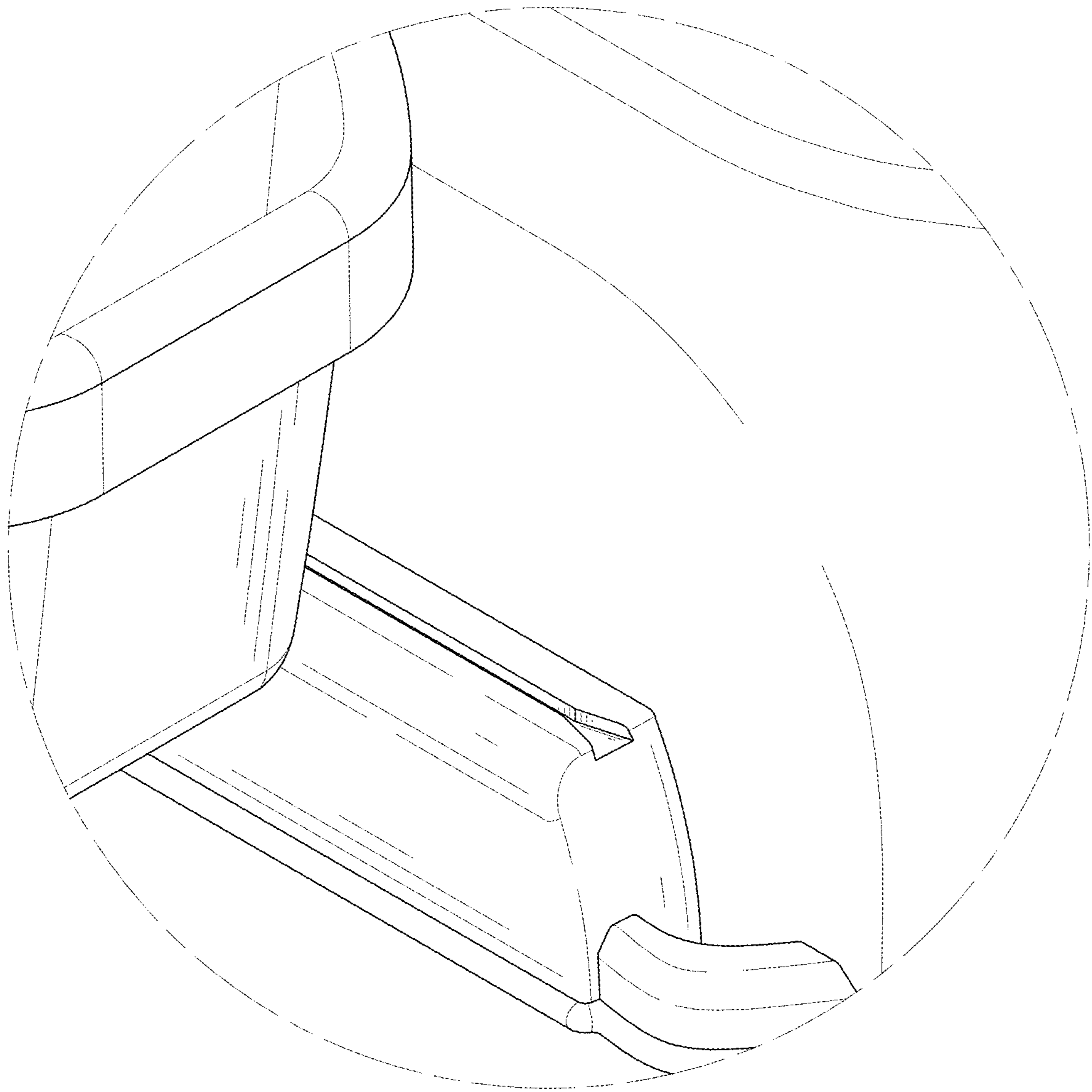


FIG. 9

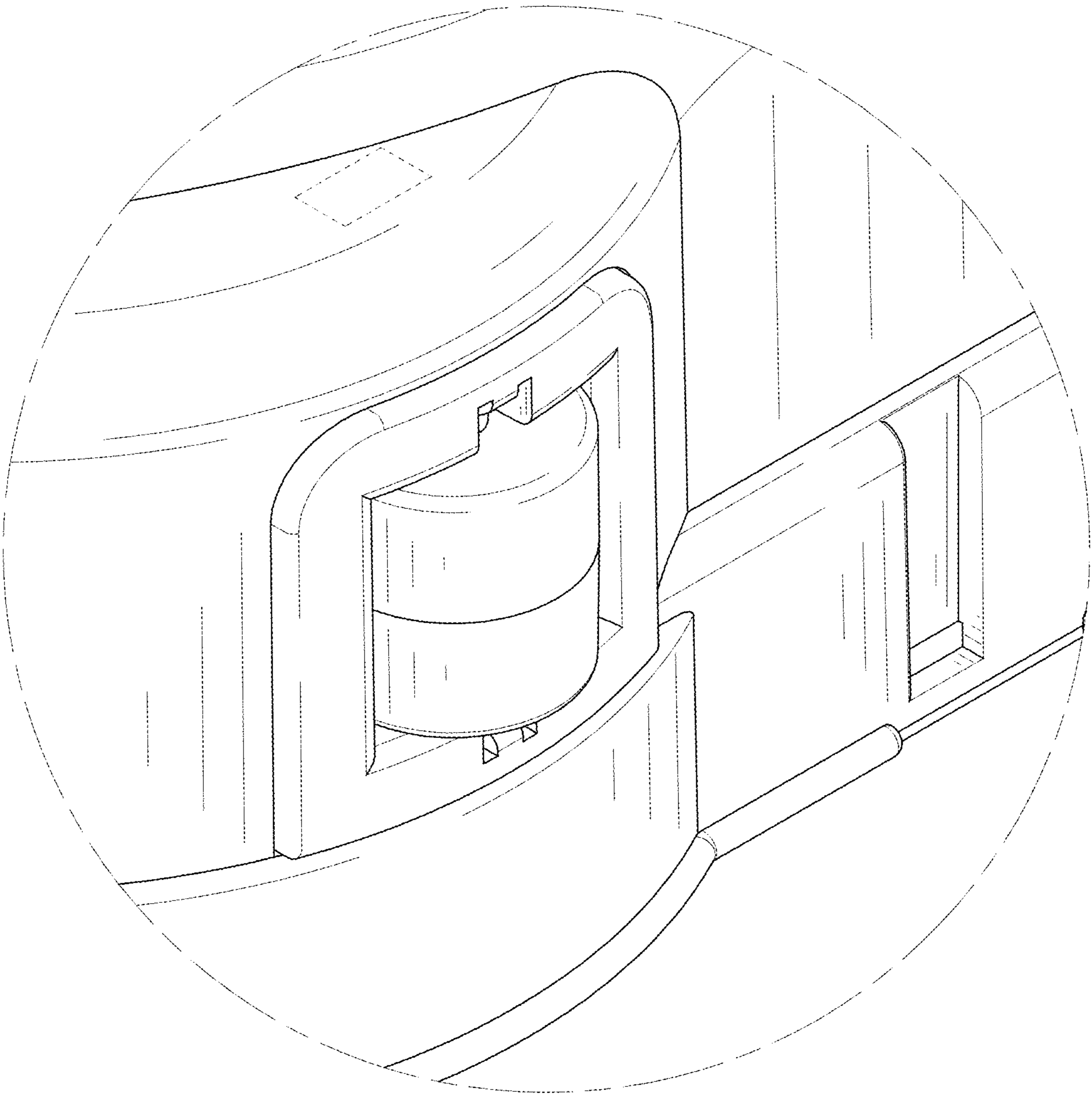


FIG. 10

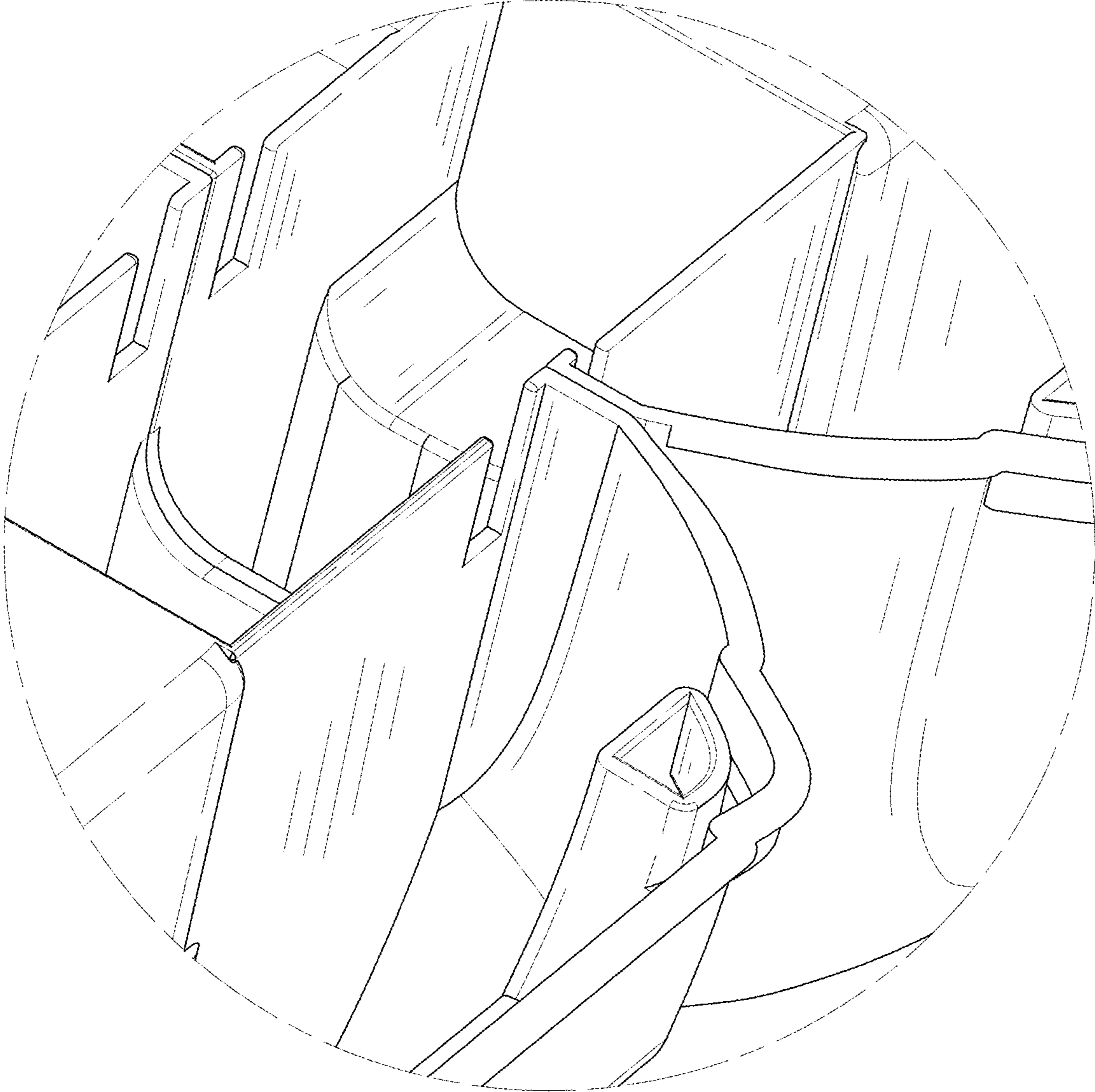


FIG. 11