

US00D952048S

(12) **United States Design Patent** (10) **Patent No.:** **US D952,048 S**
Chen (45) **Date of Patent:** **** May 17, 2022**

(54) **TOY**
(71) Applicant: **Peihuan Chen**, Chaozhou (CN)
(72) Inventor: **Peihuan Chen**, Chaozhou (CN)
(**) Term: **15 Years**
(21) Appl. No.: **29/776,843**
(22) Filed: **Apr. 1, 2021**
(30) **Foreign Application Priority Data**
Feb. 3, 2021 (CN) 202130077933.1
(51) **LOC (13) Cl.** **21-01**
(52) **U.S. Cl.**
USPC **D21/450**
(58) **Field of Classification Search**
USPC D12/1, 2, 3, 4, 319, 324, 326, 327, 328,
D12/329, 331, 332, 333-338, 340-344;
D21/473, 436, 438, 442, 446, 447, 448,
D21/449, 450
CPC A63H 27/00; A63H 23/06; A63H 27/06
See application file for complete search history.

D188,146 S * 6/1960 Douglas D12/329
D284,594 S * 7/1986 Fisher D21/442
D287,738 S * 1/1987 Bollinger D21/442
D372,741 S * 8/1996 Tsai D12/327
D390,942 S * 2/1998 Mei D12/327
D414,255 S * 9/1999 Wu D23/367
D568,947 S * 5/2008 Van De Rostyne D12/326
D576,215 S * 9/2008 Van De Rostyne D12/326
D582,490 S 12/2008 Yuen
D582,833 S * 12/2008 Van De Rostyne D12/345
D583,297 S * 12/2008 Van De Rostyne D12/345
D633,955 S 3/2011 Yuen
8,702,466 B2 * 4/2014 Cheng A63H 27/12
446/36
D827,039 S 8/2018 Lim
2007/0181742 A1 * 8/2007 Van de Rostyne A63H 27/06
244/17.23

* cited by examiner

Primary Examiner — Marissa J Cash

(57) **CLAIM**

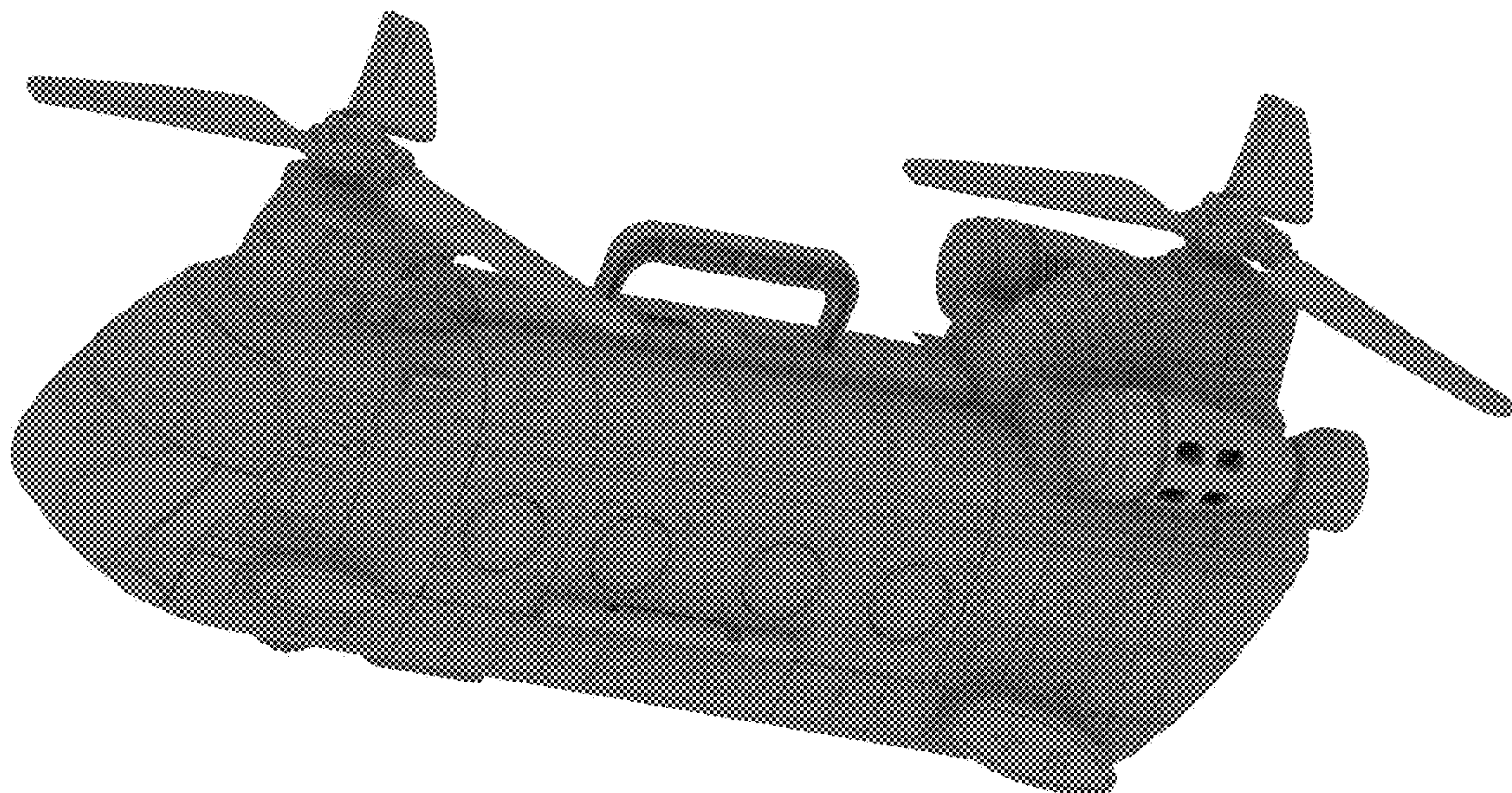
The ornamental design for a toy, as shown and described.

DESCRIPTION

FIG. 1 is a first perspective view of a toy showing my new design;
FIG. 2 is a second perspective view thereof;
FIG. 3 is a front view thereof;
FIG. 4 is a back view thereof;
FIG. 5 is a left side view thereof;
FIG. 6 is a right side view thereof;
FIG. 7 is a top view thereof;
FIG. 8 is a bottom view thereof; and,
FIG. 9 is a perspective view of another state of the toy thereof.

1 Claim, 9 Drawing Sheets

(56) **References Cited**
U.S. PATENT DOCUMENTS
D139,021 S * 10/1944 Lewis D12/329
D146,984 S * 6/1947 Piasecki D12/329
D149,130 S * 3/1948 Katzenberger et al. D12/329
D153,314 S * 4/1949 Piasecki D12/329
D153,315 S * 4/1949 Piasecki D12/329
D153,316 S * 4/1949 Piasecki D12/329
D155,360 S * 9/1949 Piasecki D12/329
D163,938 S * 7/1951 Douglas D12/329
D168,794 S * 2/1953 Jovanovich D12/329
2,629,568 A * 2/1953 Wood B64C 27/08
244/17.23
D169,720 S * 6/1953 Apostolescu D12/329
D181,643 S * 12/1957 Graham D12/329



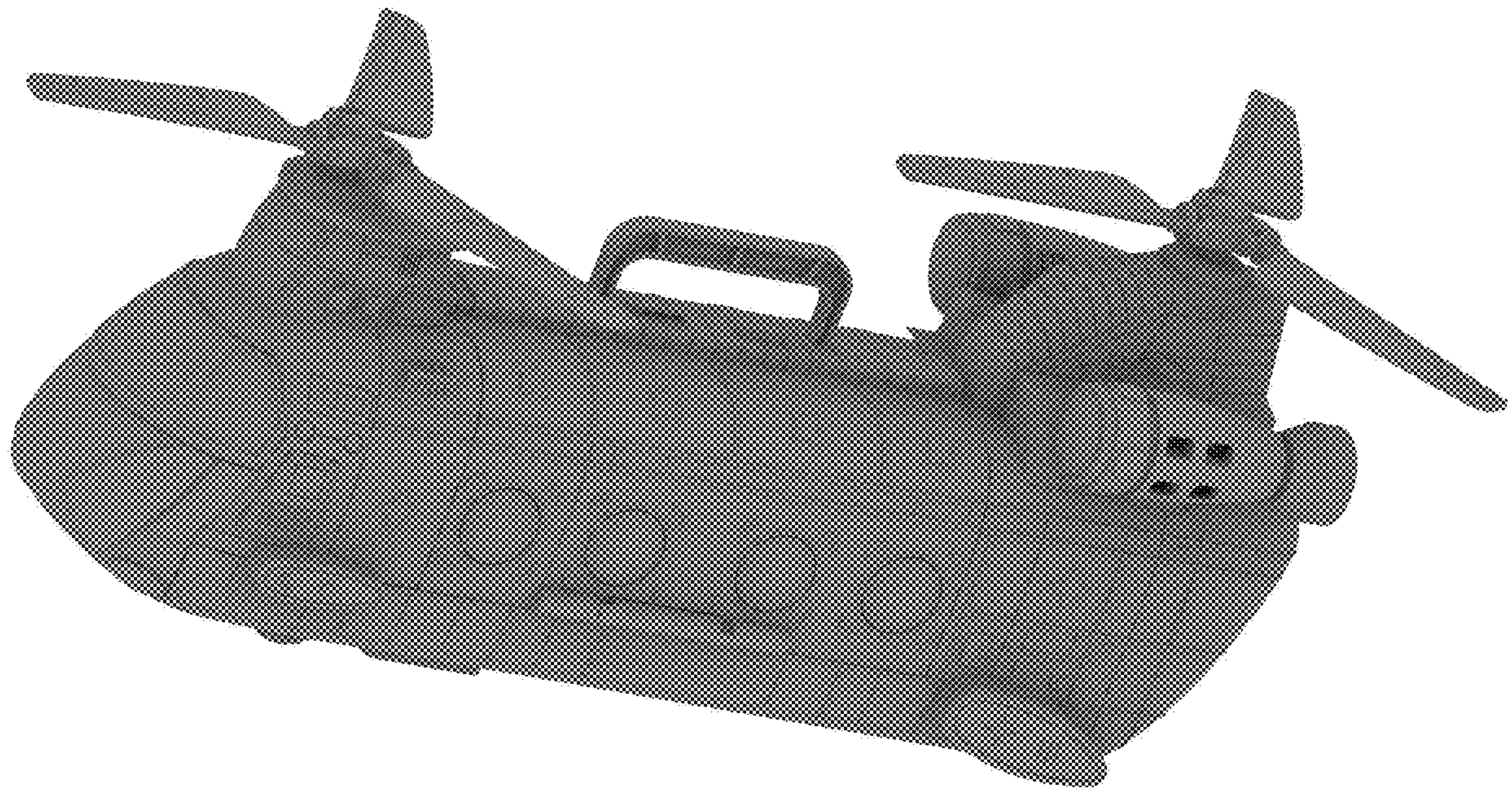


FIG. 1

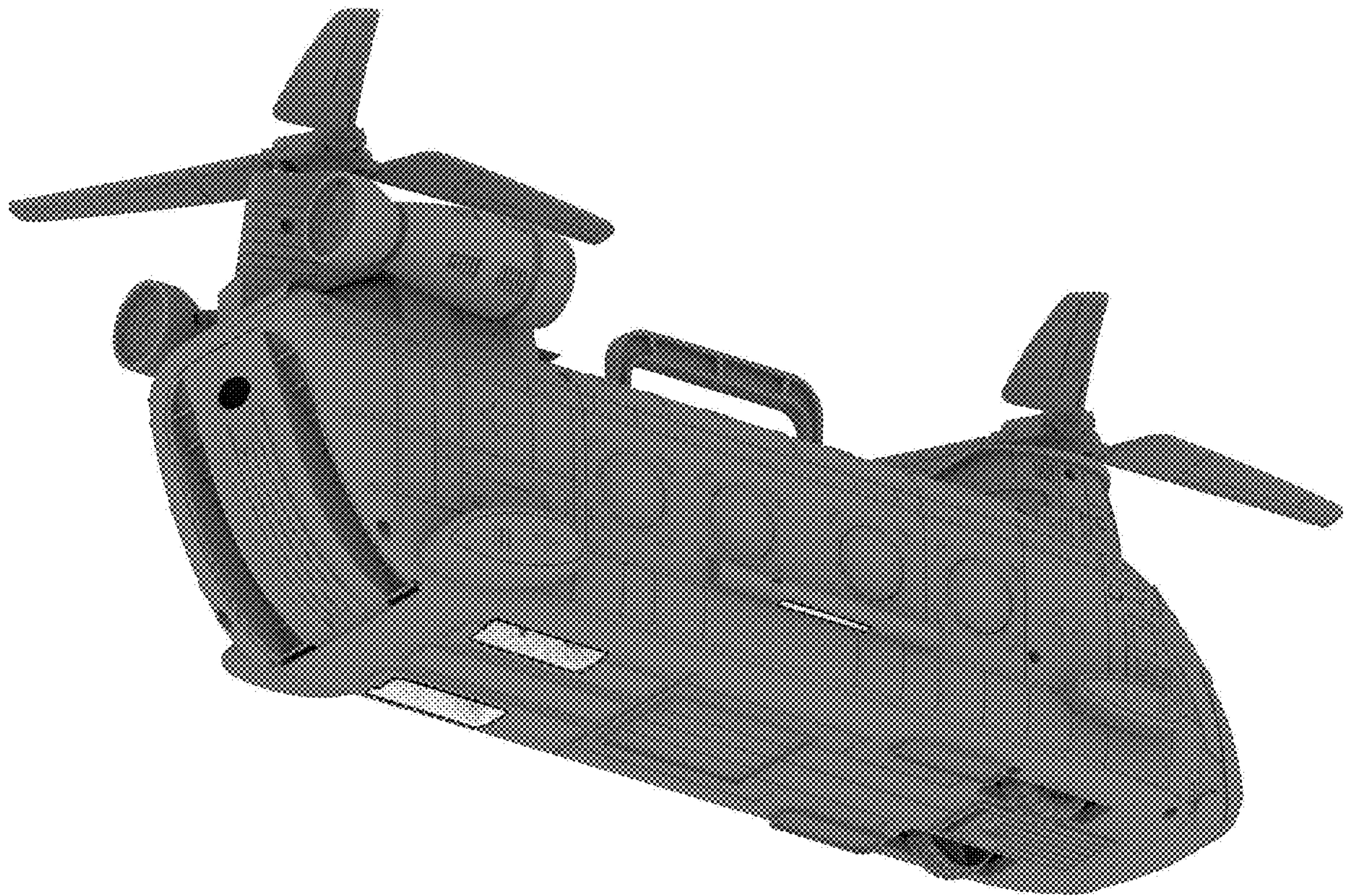


FIG. 2

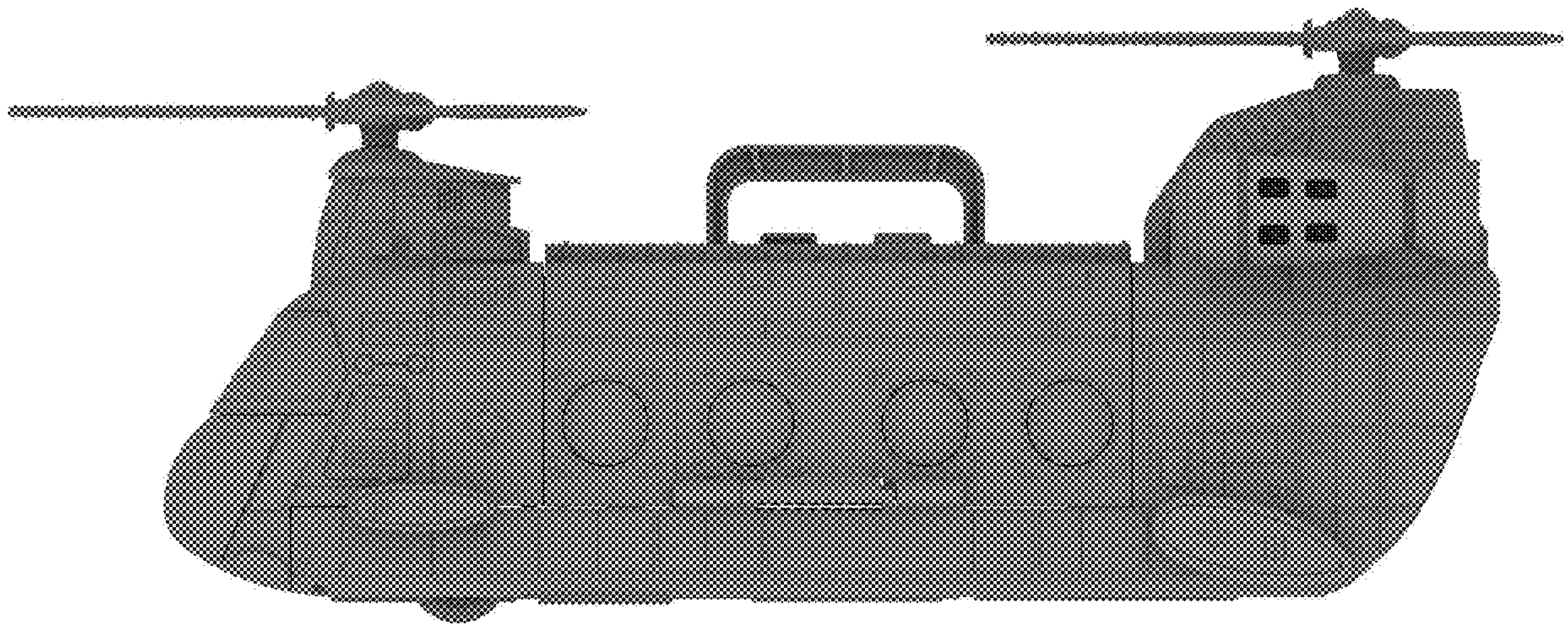


FIG. 3

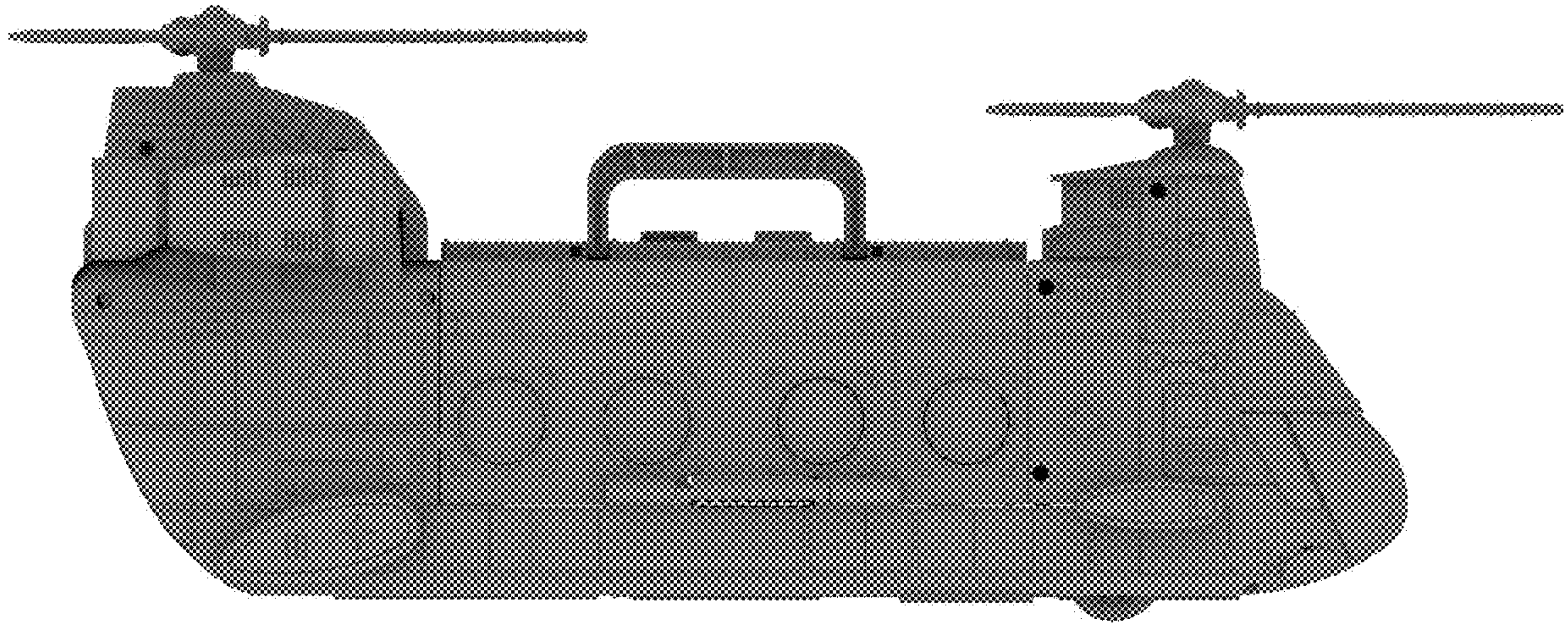


FIG. 4

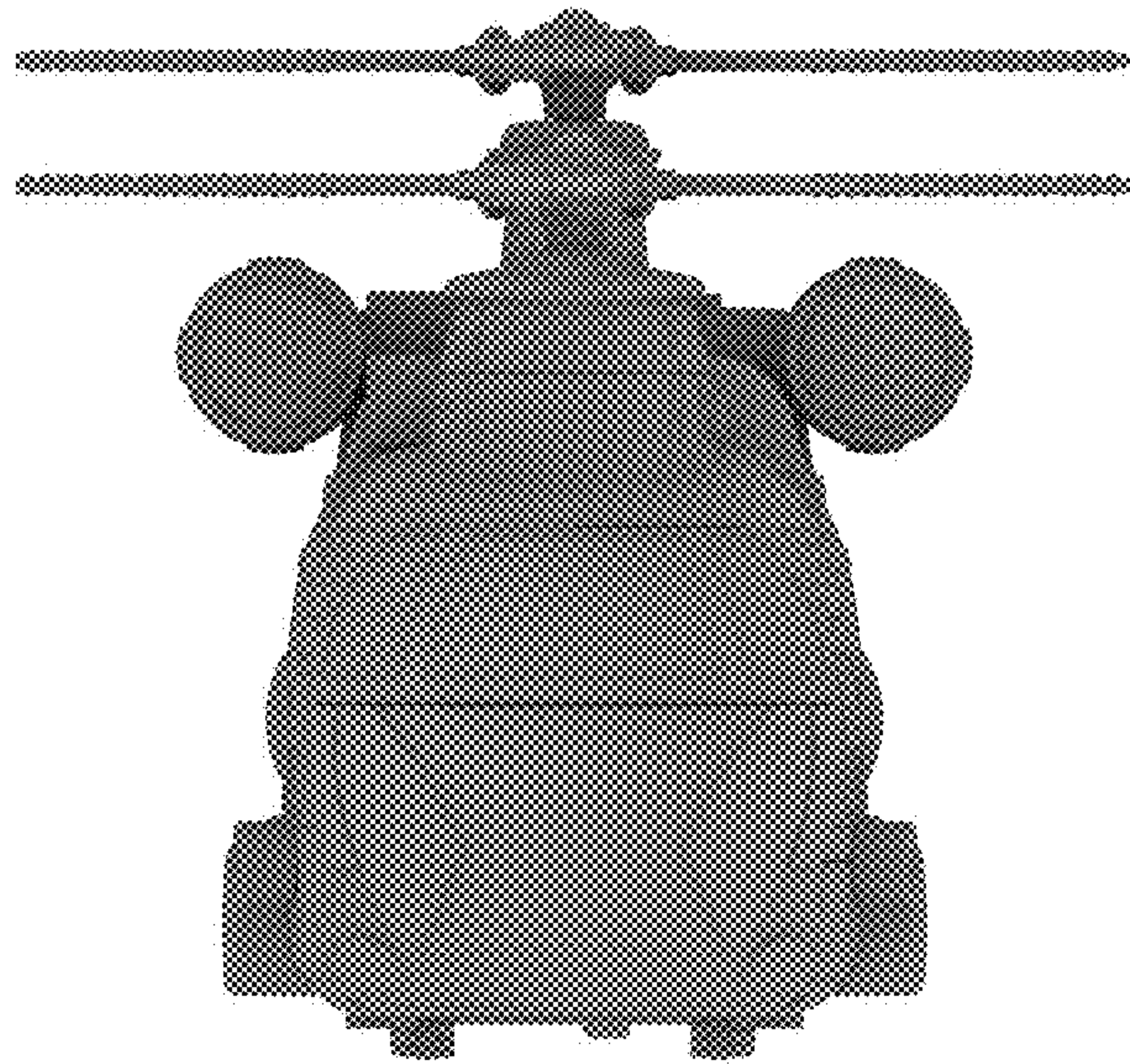


FIG. 5

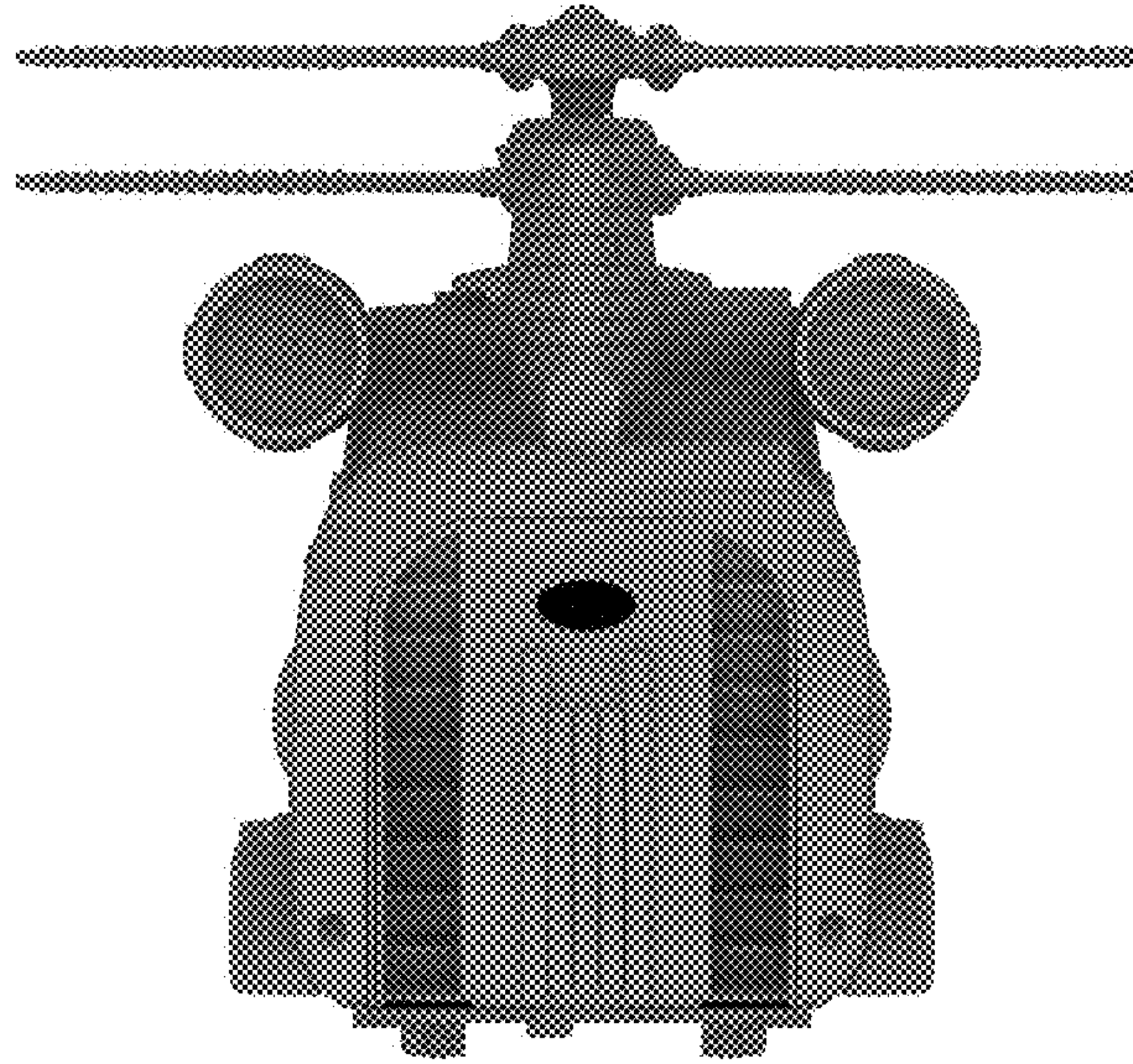


FIG. 6

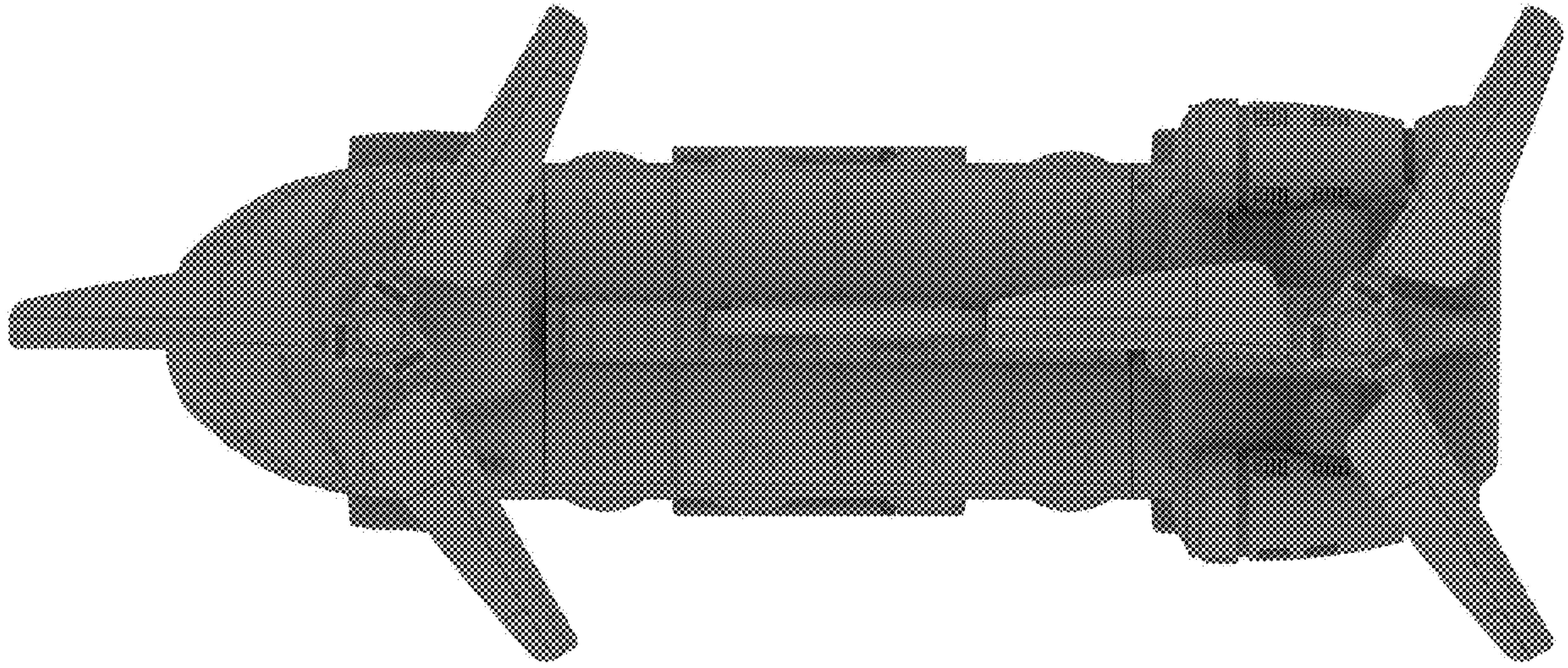


FIG. 7

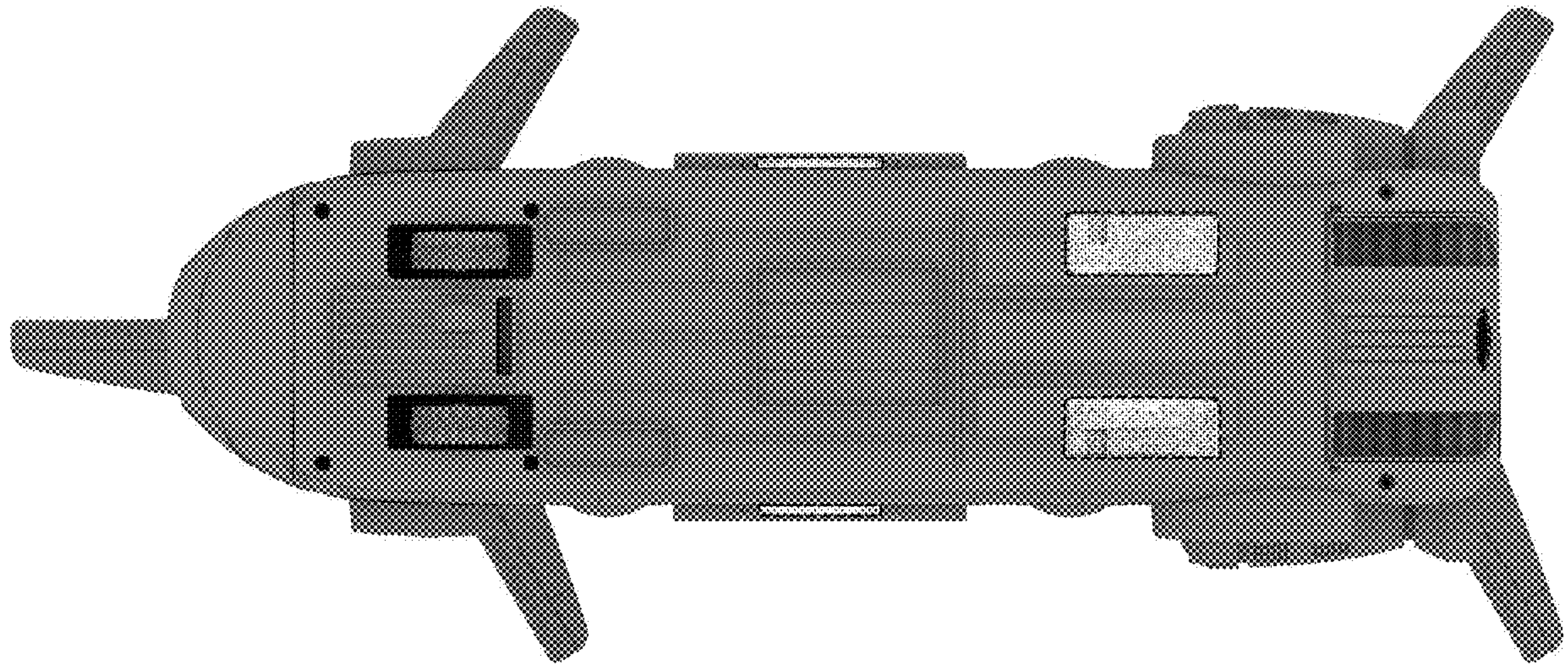


FIG. 8

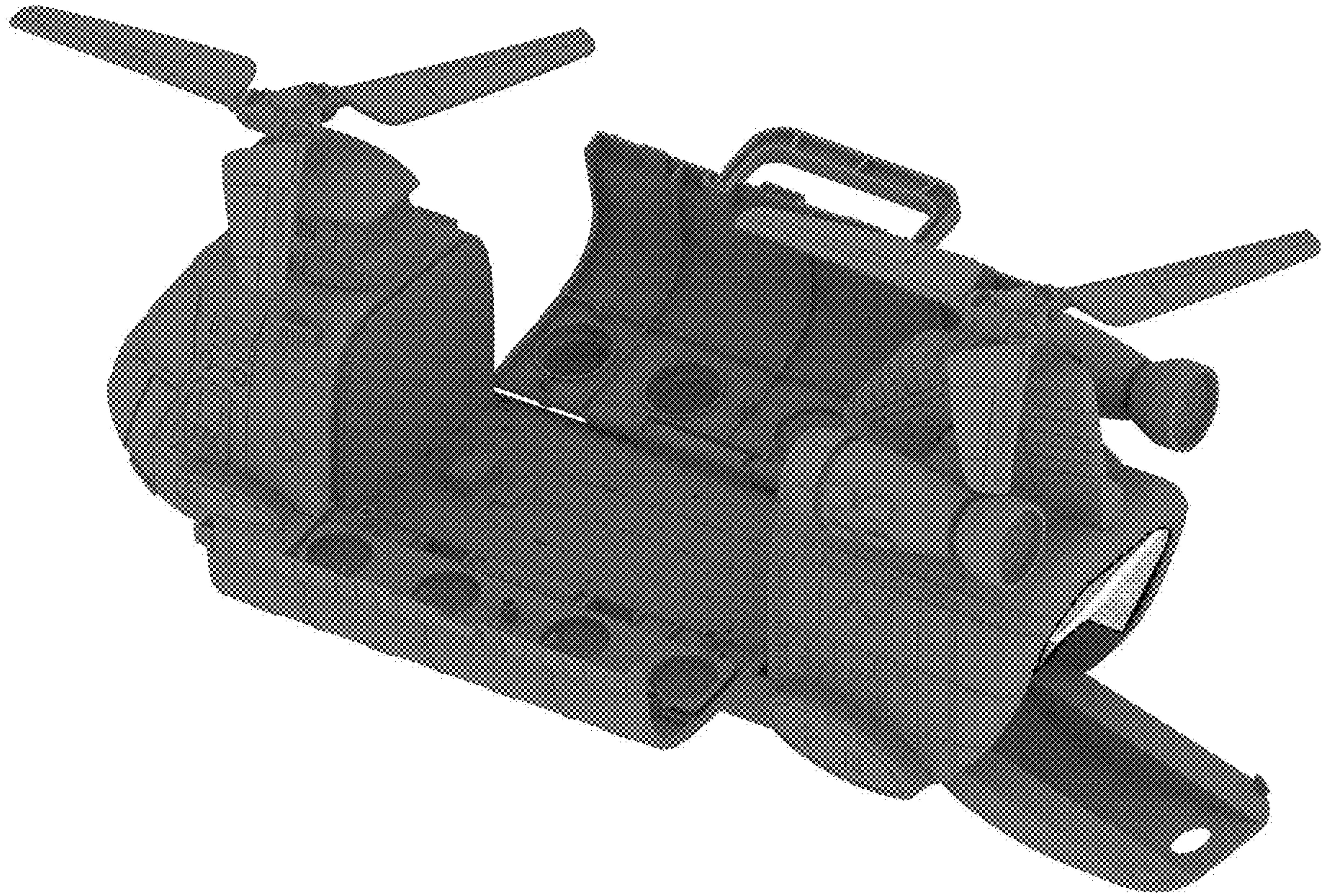


FIG. 9