



US00D952044S

(12) **United States Design Patent** (10) **Patent No.:** **US D952,044 S**  
**Huszár et al.** (45) **Date of Patent:** **\*\* May 17, 2022**

(54) **TEQBALL TABLE**

(56) **References Cited**

(71) Applicant: **TEQBALL HOLDING S.A.R.L.**,  
Luxembourg (LU)  
(72) Inventors: **Viktor Huszár**, Luxembourg (LU);  
**Gábor Borsányi**, Luxembourg (LU)  
(73) Assignee: **TEQBALL HOLDING S.A.R.L.**,  
Luxembourg (LU)  
(\*\*) Term: **15 Years**  
(21) Appl. No.: **29/712,192**  
(22) Filed: **Nov. 6, 2019**

U.S. PATENT DOCUMENTS

3,992,006 A	11/1976	Barlow	
4,119,838 A	10/1978	Genuit	
5,375,837 A *	12/1994	Moreau .....	A47B 25/003 473/496
5,398,926 A *	3/1995	Skinner .....	A63B 69/0053 473/475
5,487,541 A *	1/1996	Dictor .....	A63B 67/04 473/34
5,531,449 A *	7/1996	Denton .....	A63B 69/0097 273/348
7,500,671 B2	3/2009	Narus et al.	
8,007,378 B2	8/2011	Vallon et al.	
8,182,374 B1	5/2012	Copeland	
9,421,428 B1	8/2016	Dobush	
9,675,860 B2 *	6/2017	Borsanyi .....	A63B 67/04
9,711,061 B2	7/2017	Chun	
D898,832 S *	10/2020	Kim .....	D21/324
D910,765 S *	2/2021	Delgado .....	D21/397

**Related U.S. Application Data**

(60) Continuation of application No. 29/629,967, filed on Dec. 18, 2017, now Pat. No. Des. 868,919, which is a division of application No. 35/500,971, filed on Dec. 7, 2015 (U.S. filing date under 35 U.S.C. 384), and having an international filing date of Dec. 7, 2015, now Pat. No. Des. 823,965.

\* cited by examiner

*Primary Examiner* — George D. Kirschbaum  
(74) *Attorney, Agent, or Firm* — Fox Rothschild LLP

**Foreign Application Priority Data**

(30) Oct. 13, 2015 (EM) ..... 002819912  
Oct. 13, 2015 (EM) ..... 002820738  
(51) **LOC (13) Cl.** ..... **21-01**  
(52) **U.S. Cl.**  
USPC ..... **D21/397**  
(58) **Field of Classification Search**  
USPC ..... D21/324, 397  
CPC . A63B 67/04; A63B 69/0097; A63B 69/0053;  
A47B 25/003  
See application file for complete search history.

(57) **CLAIM**  
The ornamental design for a teqball table, as shown and described.

**DESCRIPTION**

FIG. 1 is a perspective view of a teqball table according to the new design;  
FIG. 2 is front view thereof;  
FIG. 3 is a side view thereof;  
FIG. 4 is a bottom view thereof; and,  
FIG. 5 is a top plan view thereof.  
The broken lines in the drawings depict portions of the article that form no part of the claimed design.

**1 Claim, 5 Drawing Sheets**

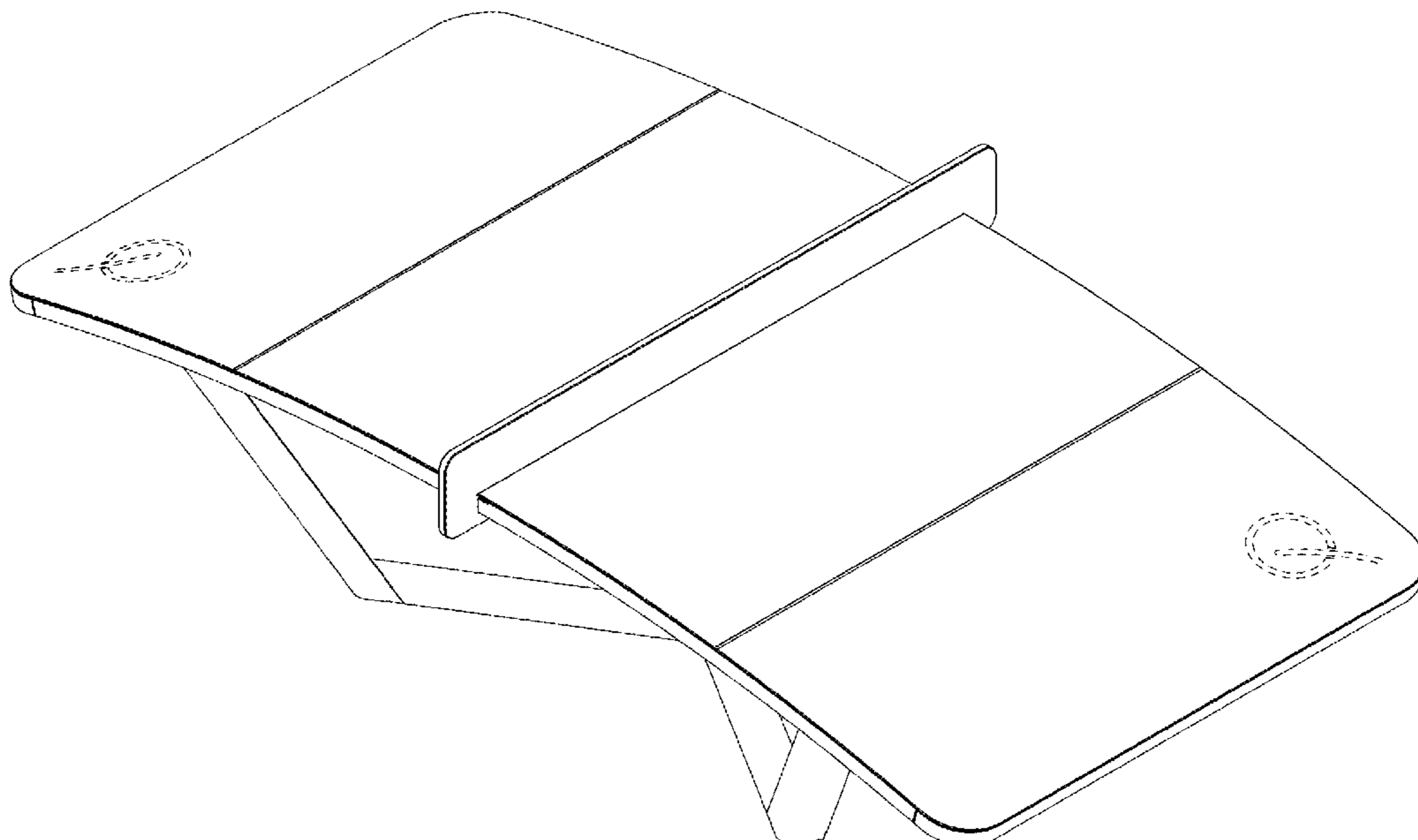


Figure 1

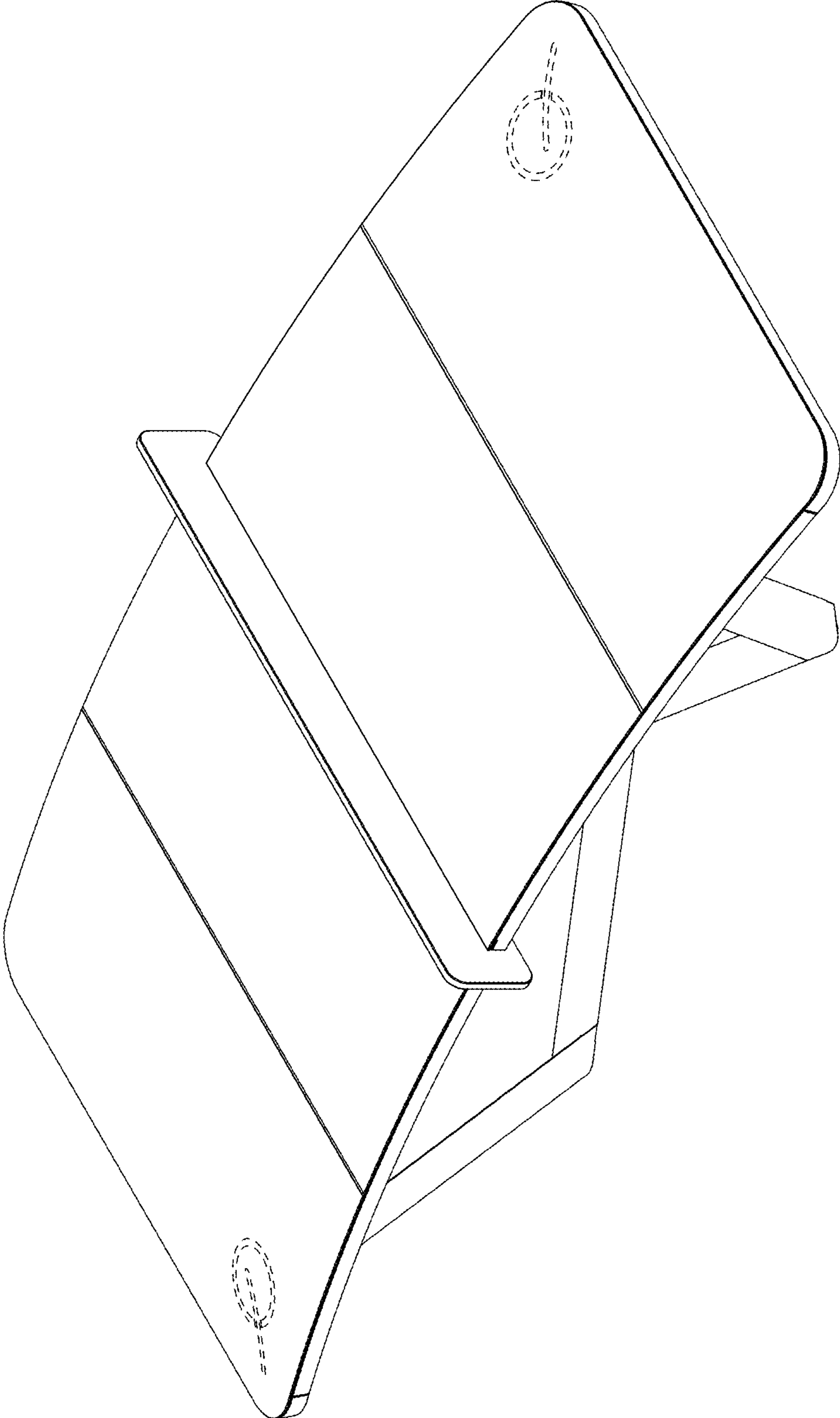


Figure 2

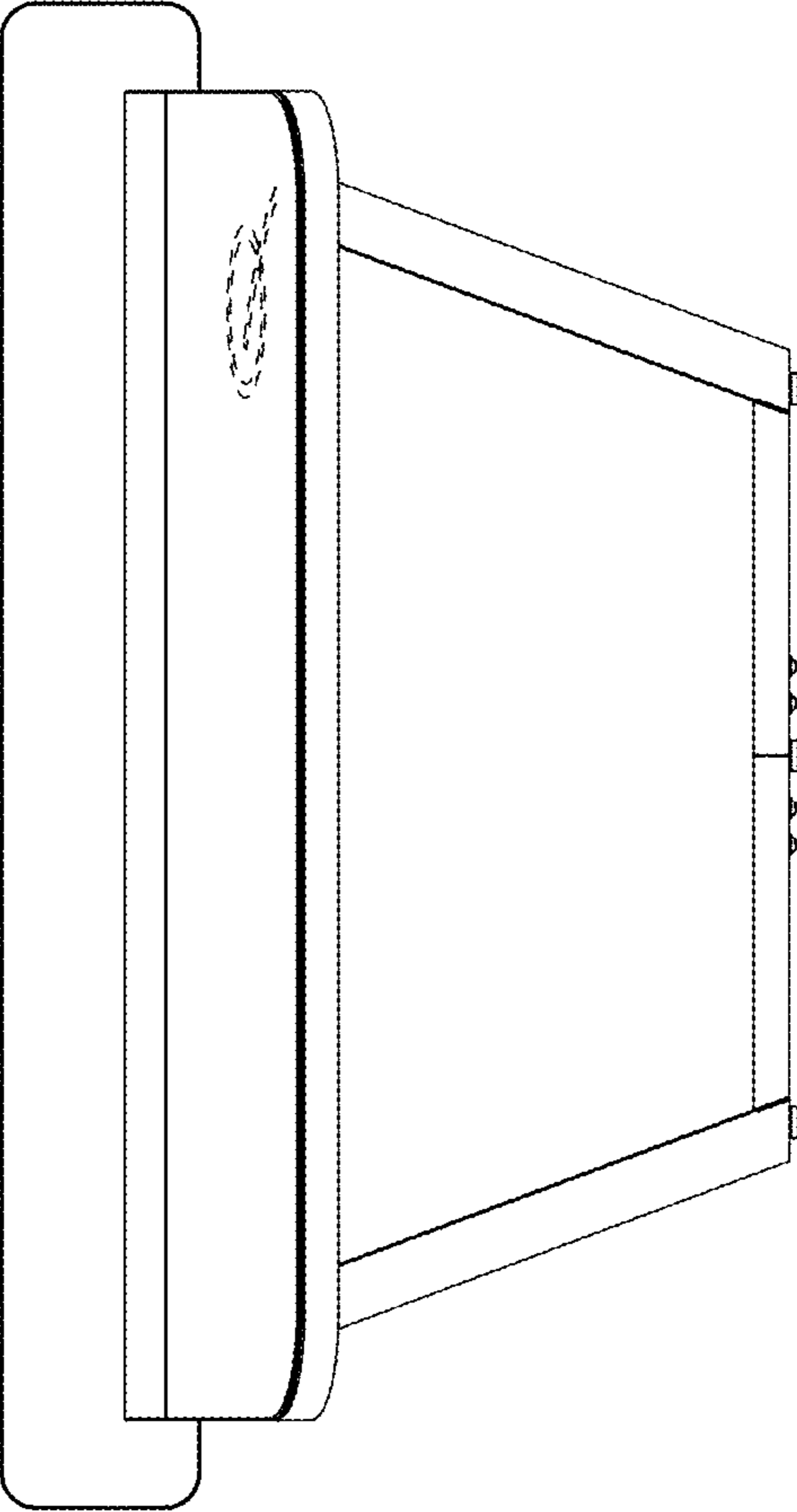


Figure 3

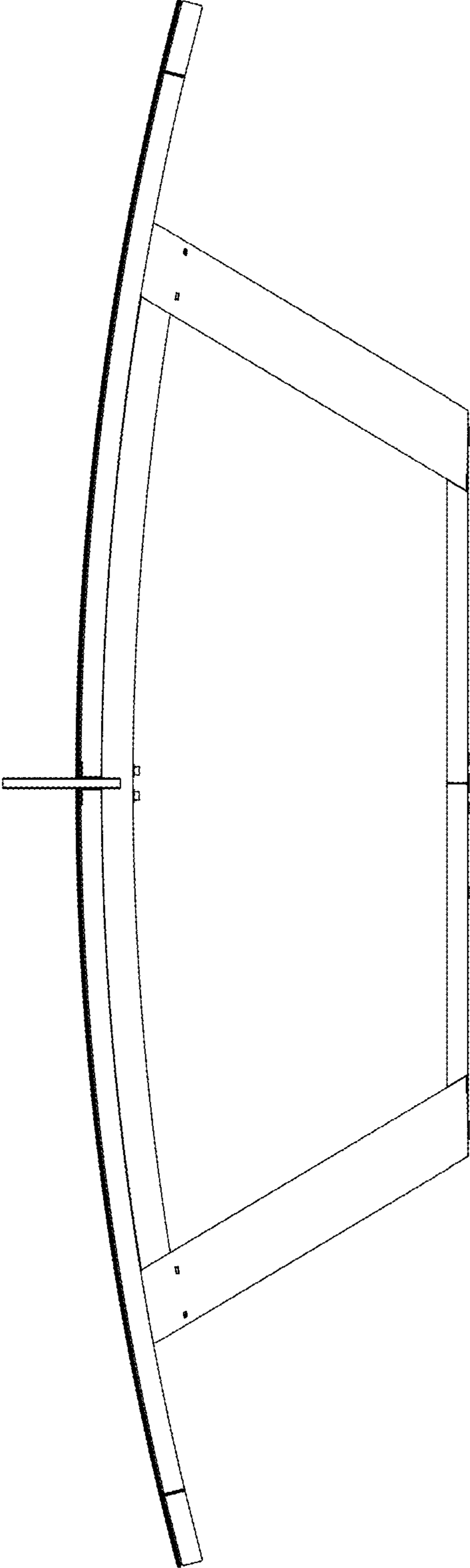


Figure 4

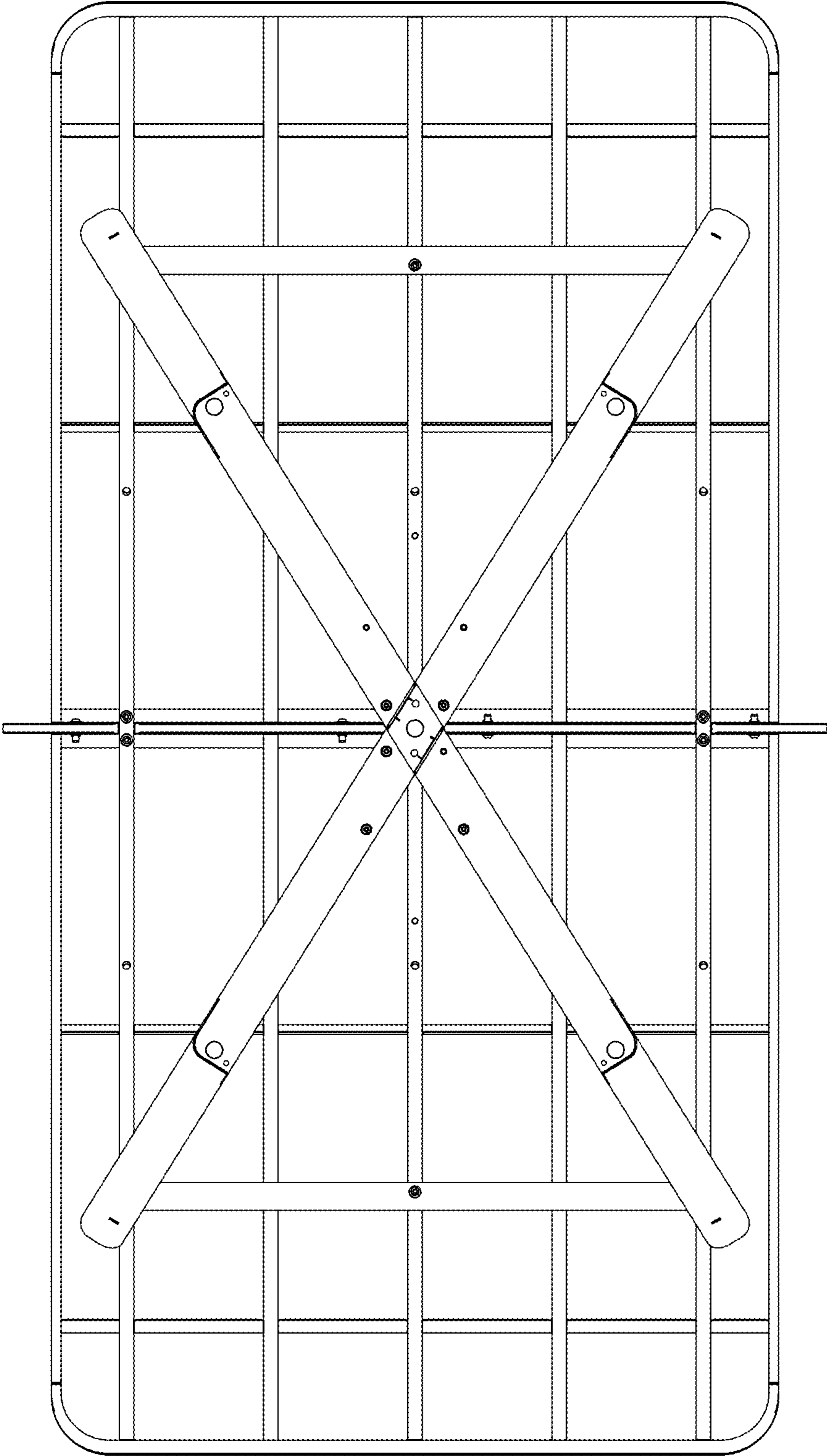


Figure 5

